



US00D706501S

(12) **United States Design Patent**
Eng

(10) **Patent No.:** **US D706,501 S**
(45) **Date of Patent:** **** Jun. 3, 2014**

- (54) **RESILIENT DISHWASHER ACCESSORY**
- (71) Applicant: **BSH Home Appliances Corporation**,
Irvine, CA (US)
- (72) Inventor: **Lindsay Eng**, Long Beach, CA (US)
- (73) Assignee: **BSH Home Appliances Corporation**,
Irvine, CA (US)

2,798,616	A *	7/1957	Maslow	211/41.8
2,841,288	A *	7/1958	Field et al.	211/41.4
2,971,652	A *	2/1961	Getchell et al.	211/41.8
2,971,668	A *	2/1961	Peglow	220/488
3,032,203	A *	5/1962	Romero	211/41.4
3,050,073	A *	8/1962	McMillan	134/137
3,167,183	A *	1/1965	Claywell et al.	211/41.2
3,214,031	A *	10/1965	McCauley	211/41.2
3,305,102	A *	2/1967	Sanhirstein	211/184
3,454,018	A *	7/1969	Ruddick	134/57 R

(Continued)

- (**) Term: **14 Years**
- (21) Appl. No.: **29/467,294**
- (22) Filed: **Sep. 18, 2013**

Primary Examiner — T. Chase Nelson
Assistant Examiner — Kathleen M Sims
 (74) *Attorney, Agent, or Firm* — James E. Howard; Andre Pallapies

Related U.S. Application Data

- (62) Division of application No. 29/424,748, filed on Jun. 15, 2012, now abandoned, which is a division of application No. 29/393,079, filed on May 31, 2011, now Pat. No. Des. 668,401.
- (51) **LOC (10) Cl.** **15-05**
- (52) **U.S. Cl.**
USPC **D32/3**
- (58) **Field of Classification Search**
USPC D32/1, 2, 3, 25; 134/56 D, 57 D, 58 D,
134/201; 211/41.8, 41.9; 220/488, 555;
68/212
See application file for complete search history.

(57) **CLAIM**

The ornamental design for a resilient dishwasher accessory, as shown and described.

DESCRIPTION

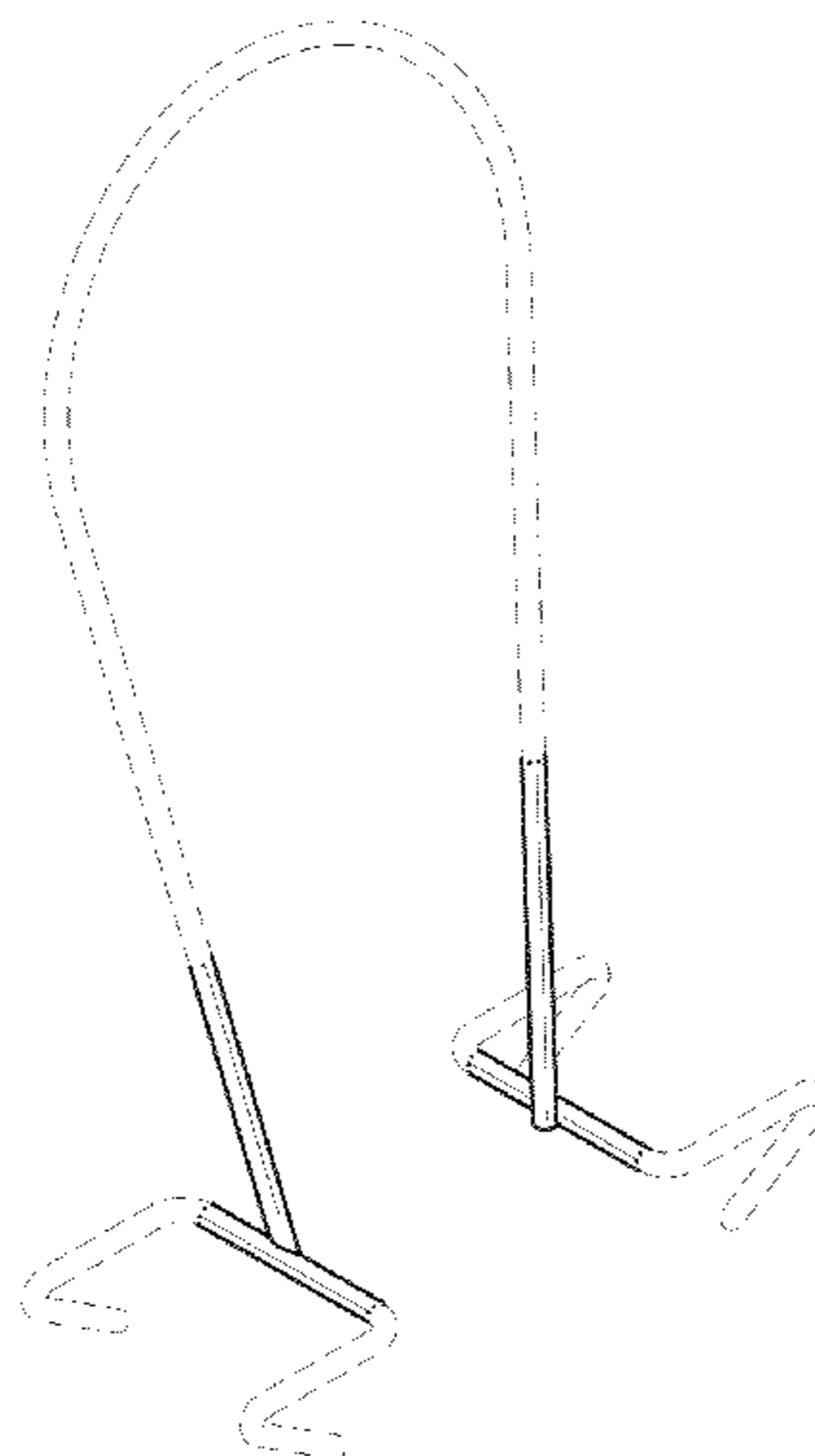
FIG. 1 is a front perspective view of a resilient dishwasher accessory showing my new ornamental design;
 FIG. 2 is a front view thereof, with the rear view being identical;
 FIG. 3 is a top view thereof;
 FIG. 4 is a bottom view thereof;
 FIG. 5 is a left side view thereof with the right side view thereof being a mirror image thereof;
 FIG. 6 is a left side view thereof in a position in which the dishwasher accessory is assembled or attached to a dishwasher rack; and,
 FIG. 7 is a perspective view thereof in the position where the dishwasher accessory is assembled or attached to the dishwasher rack.
 The broken lines show surrounding structure or environment and do not form part of the claimed design. The dotted lines in FIGS. 1-7 show the boundary between claimed and unclaimed subject matter and form no part of the claimed design.

(56) **References Cited**

U.S. PATENT DOCUMENTS

851,571	A *	4/1907	Timberlake	211/41.7
869,996	A *	11/1907	Timberlake	211/41.7
895,211	A *	8/1908	Twitchell	211/41.7
1,453,437	A *	5/1923	Burnham	211/41.3
2,213,918	A *	9/1940	Lofstrand, Jr.	220/488
2,519,711	A *	8/1950	Sprechmann	211/41.7
D164,197	S *	8/1951	Planeta	D32/55
2,629,498	A *	2/1953	Marasigan	211/41.7
2,708,037	A *	5/1955	Planeta	211/74

1 Claim, 3 Drawing Sheets



(56)

References Cited

U.S. PATENT DOCUMENTS

3,612,285	A *	10/1971	Mason	211/41.8				
3,669,278	A *	6/1972	Heroy	211/184				
4,023,682	A *	5/1977	Niece	211/184				
4,046,261	A *	9/1977	Yake	211/41.8				
4,589,556	A *	5/1986	Peretz	211/41.9				
4,592,471	A *	6/1986	Bross	211/41.2				
4,726,475	A *	2/1988	Ferenzi	211/41.5				
4,863,131	A *	9/1989	Kinseley	248/220.41				
5,119,947	A *	6/1992	Stewart	211/41.2				
5,158,185	A *	10/1992	Michael et al.	211/41.8				
5,205,419	A *	4/1993	Purtilo	211/41.8				
D337,345	S *	7/1993	Gracie	D17/99				
D370,323	S *	5/1996	Lafond	D32/55				
5,794,792	A *	8/1998	Convertino	211/12				
6,015,051	A *	1/2000	Battaglia	211/59.3				
D439,716	S *	3/2001	Wright	D32/55				
6,364,130	B2 *	4/2002	Wright	211/41.3				
6,460,710	B1 *	10/2002	Dardashti	211/184				
D518,615	S *	4/2006	Yang et al.	D32/55				
D518,936	S *	4/2006	Yang et al.	D32/55				
7,228,975	B2 *	6/2007	Yang et al.	211/41.4				
D581,619	S *	11/2008	Yang et al.	D32/55				
D599,068	S *	8/2009	Yang et al.	D32/55				
7,942,278	B2 *	5/2011	Martin et al.	211/125				
7,950,537	B1 *	5/2011	Goodman et al.	211/184				
D646,450	S *	10/2011	Yang et al.	D32/55				
D647,678	S *	10/2011	Yang et al.	D32/55				
D668,401	S *	10/2012	Eng	D32/3				
8,418,703	B2 *	4/2013	Schessl et al.	134/201				
8,540,085	B2 *	9/2013	Klump et al.	211/41.9				
8,579,121	B2 *	11/2013	Eng et al.	211/41.9				
2001/0045401	A1 *	11/2001	Deiss	211/41.8				
2005/0167374	A1 *	8/2005	Yang et al.	211/41.18				
2005/0241686	A1 *	11/2005	Woo	134/135				
2005/0269273	A1 *	12/2005	Yang et al.	211/41.4				
2006/0213844	A1 *	9/2006	Purushothaman	211/41.9				
2006/0254993	A1 *	11/2006	Lee	211/41.9				
2007/0247039	A1 *	10/2007	Anderson et al.	312/228.1				
2008/0029465	A1 *	2/2008	Yang et al.	211/41.5				
2008/0116155	A1 *	5/2008	Yang et al.	211/41.3				
2009/0065452	A1 *	3/2009	Smith	211/11				
2009/0090681	A1 *	4/2009	Graute	211/41.9				
2009/0120883	A1 *	5/2009	Jadhav et al.	211/41.9				
2009/0211994	A1 *	8/2009	Yang et al.	211/41.4				

* cited by examiner

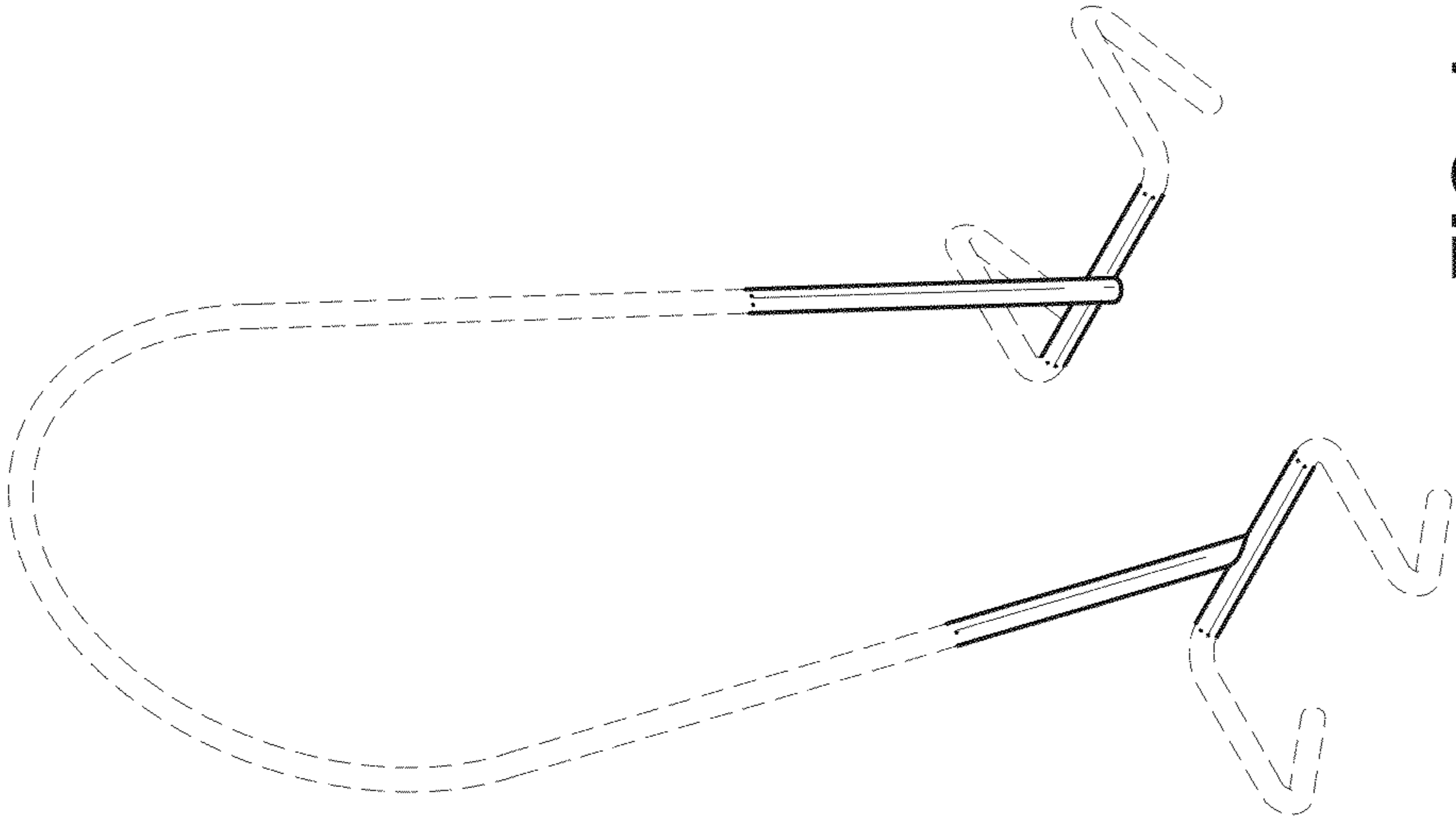


FIG. 1

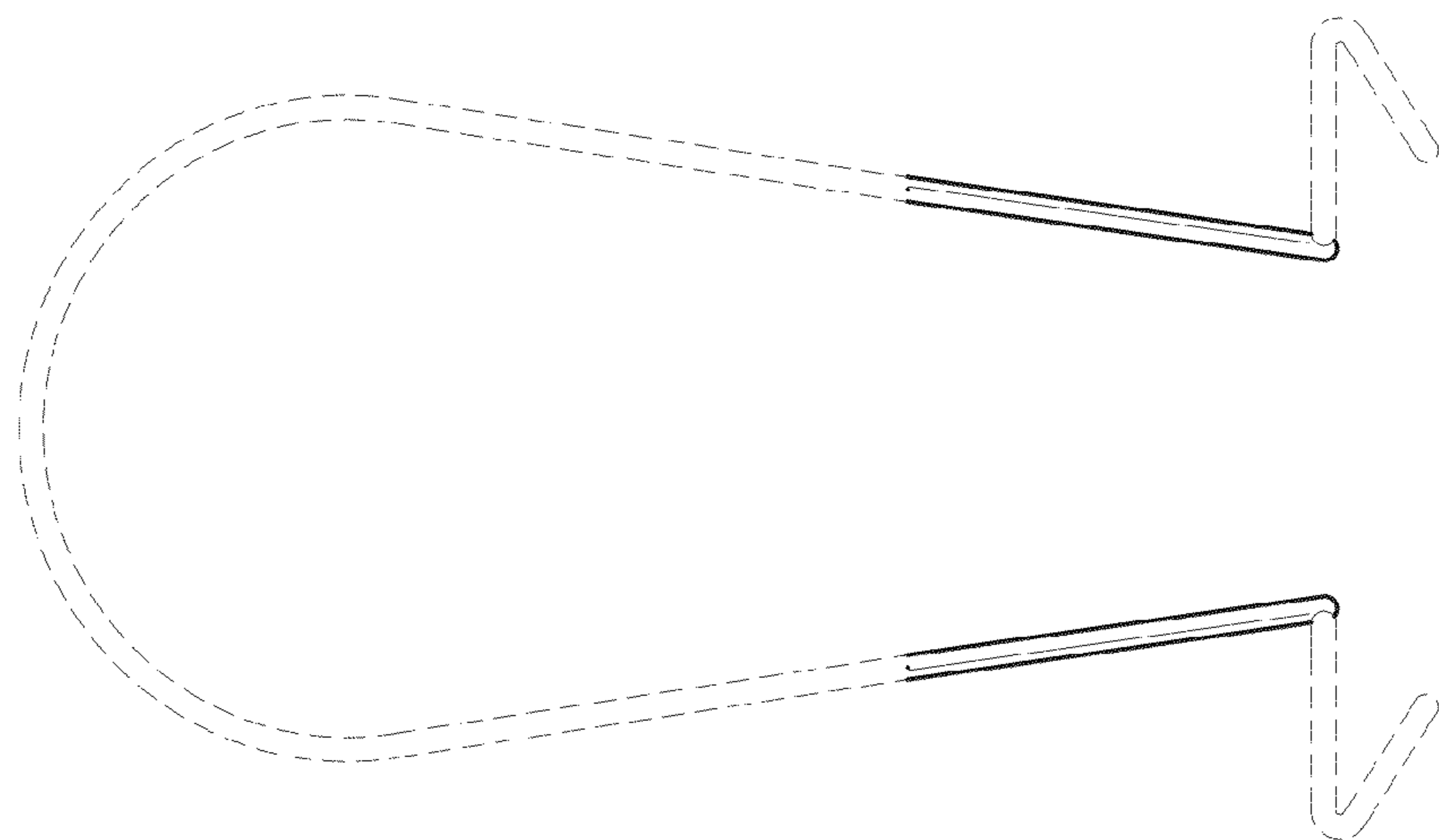


FIG. 2

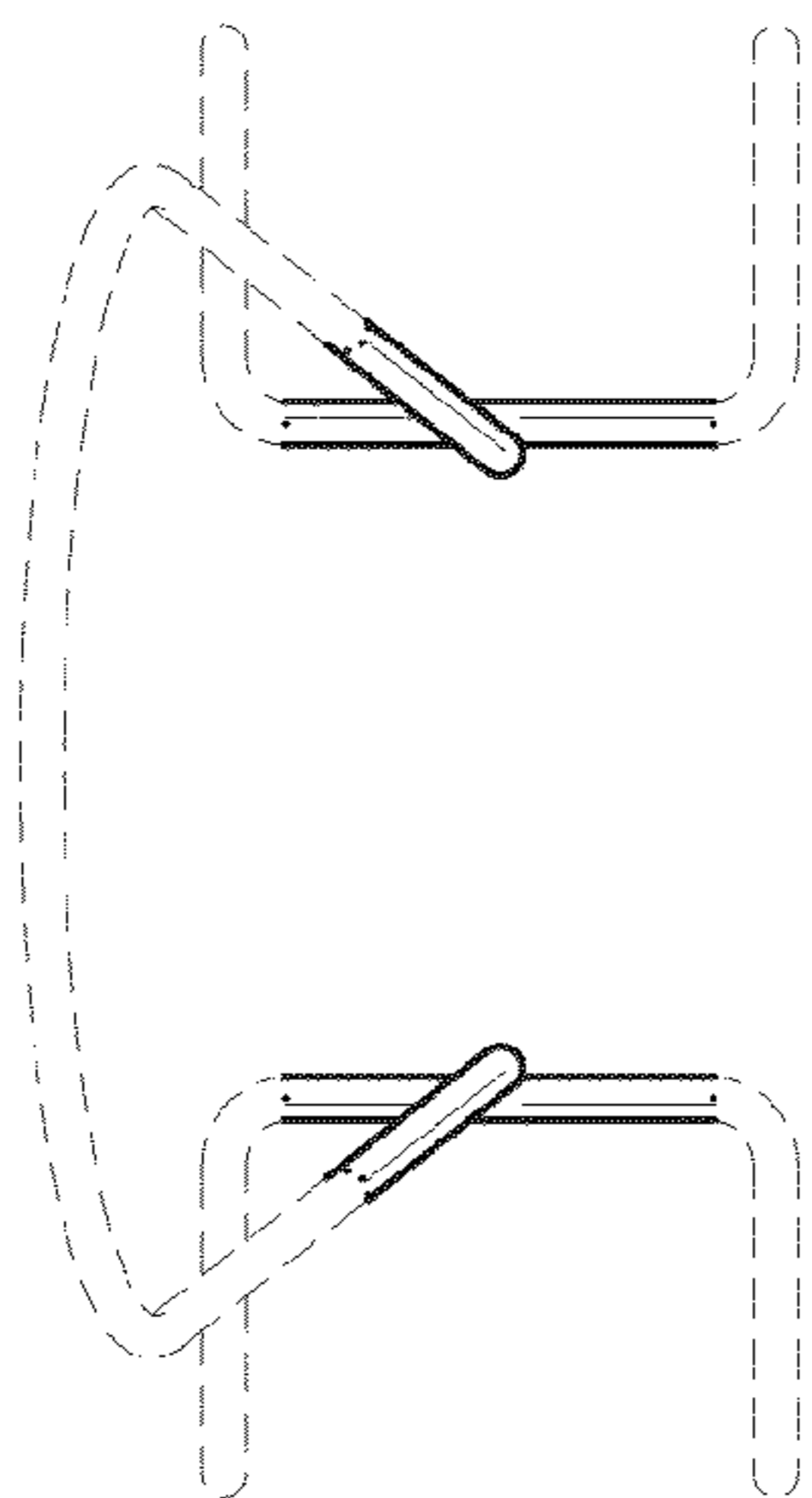


FIG. 3

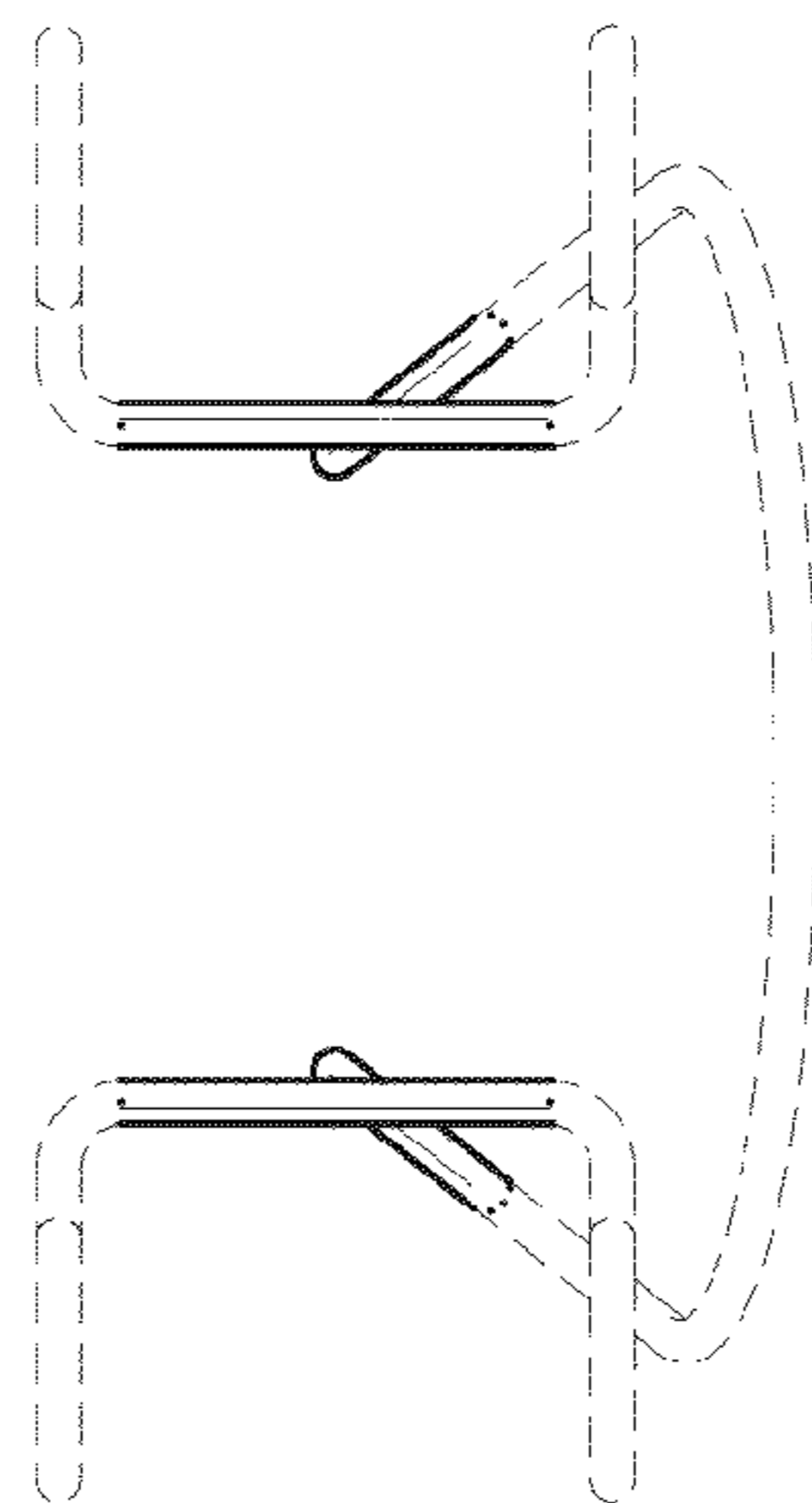


FIG. 4

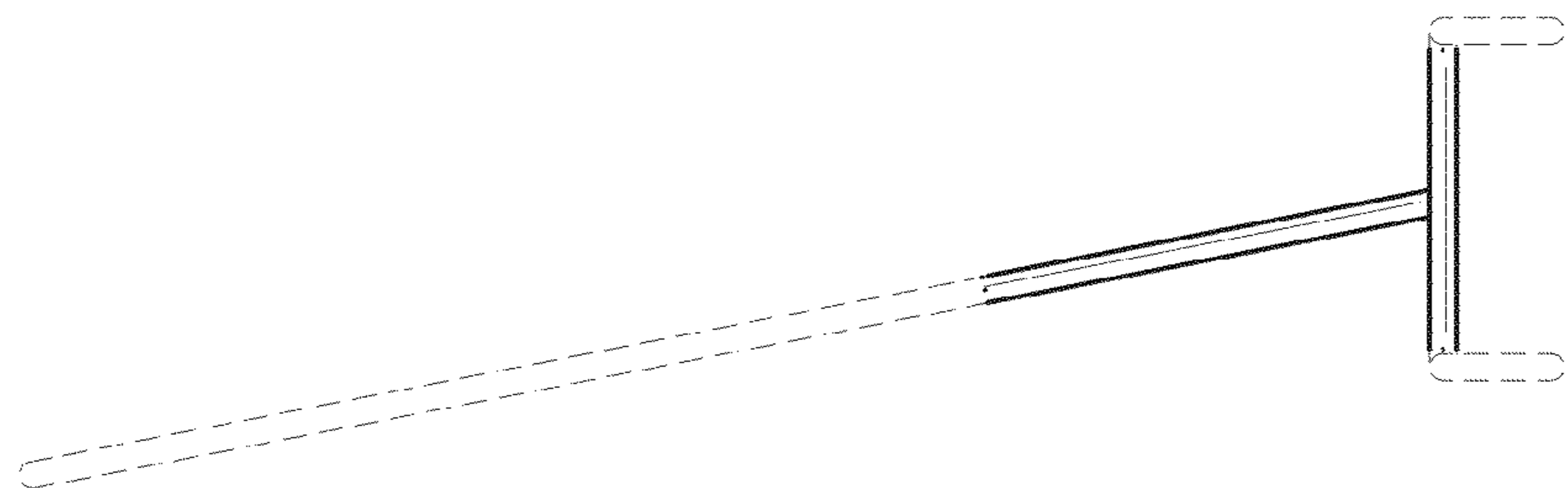


FIG. 5

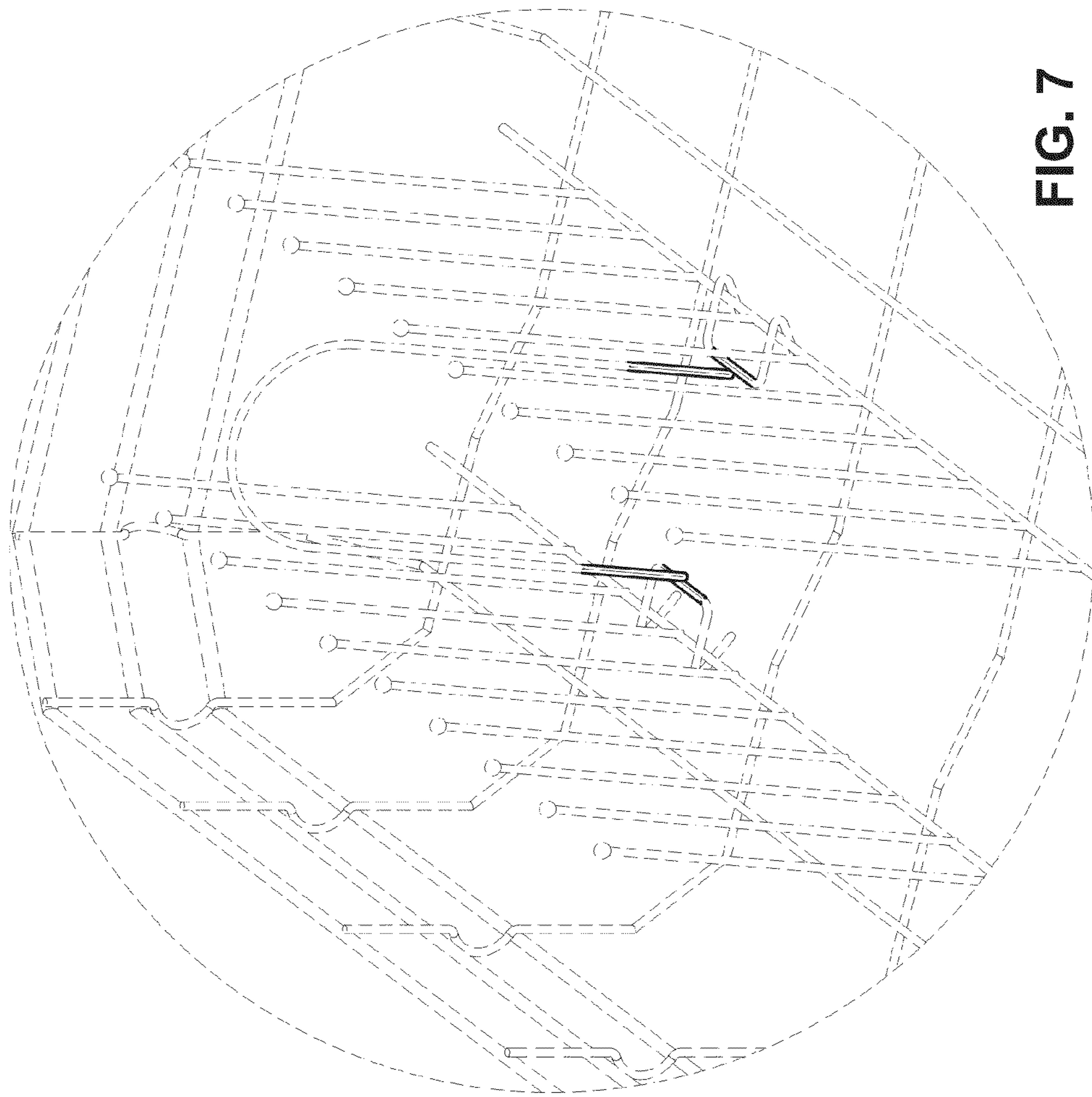


FIG. 7

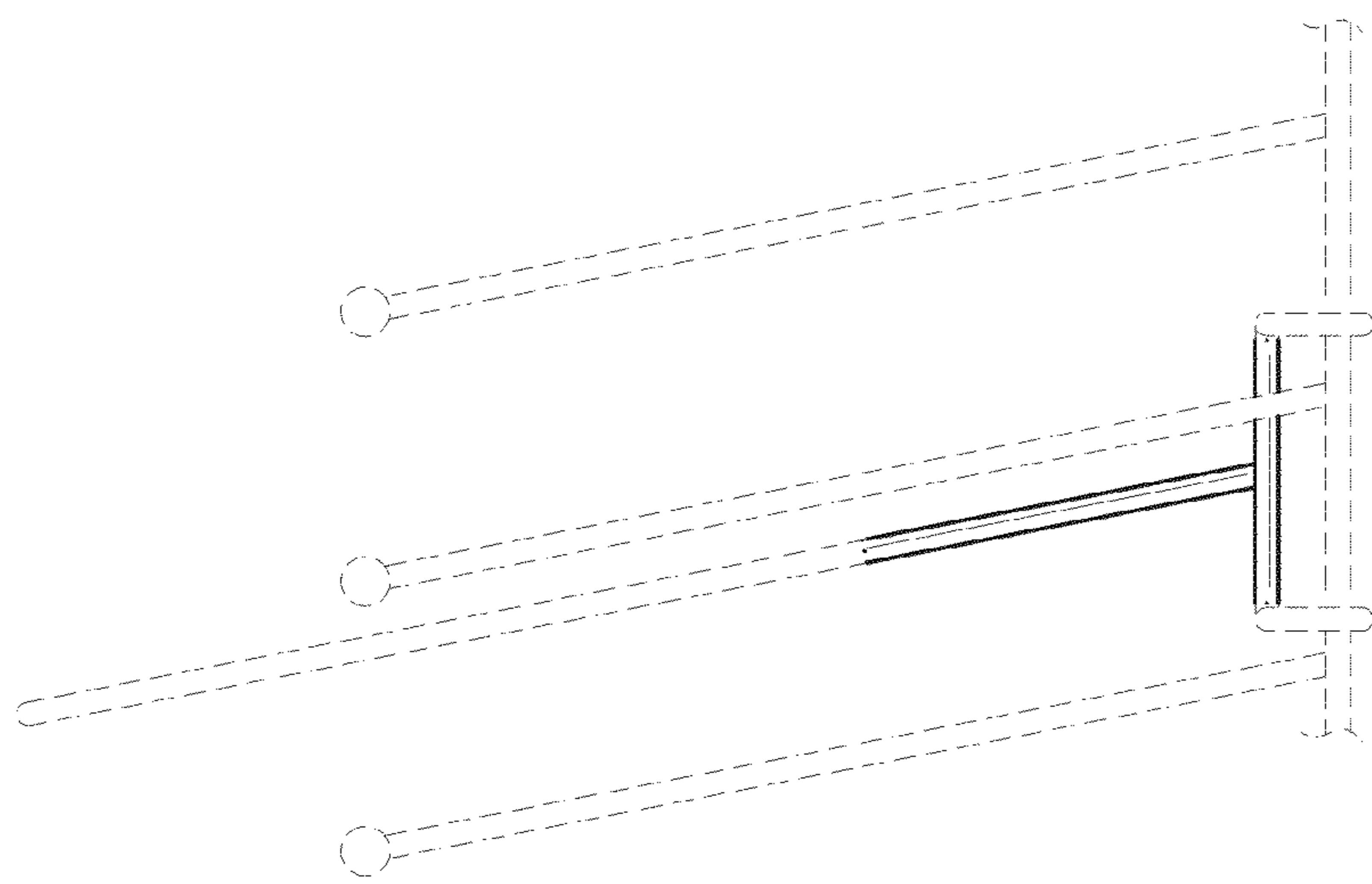


FIG. 6