



US00D706499S

(12) **United States Design Patent**  
**Shin et al.**

(10) **Patent No.:** **US D706,499 S**

(45) **Date of Patent:** **\*\* Jun. 3, 2014**

(54) **PET DRYING TOWEL**

(76) Inventors: **Young M Shin**, Chicago, IL (US); **David T. Shin**, Chicago, IL (US)

(\*\*) **Term:** **14 Years**

(21) **Appl. No.:** **29/412,345**

(22) **Filed:** **Feb. 1, 2012**

(51) **LOC (10) Cl.** ..... **30-99**

(52) **U.S. Cl.**  
USPC ..... **D30/158**; D6/608

(58) **Field of Classification Search**  
USPC ..... D30/144, 145, 158, 199, 118; D6/600,  
D6/608, 609; D2/719, 728, 823, 825, 860,  
D2/861, 863, 864; 2/111, 69.5, 48, 49.1,  
2/49.4, 50, 69, 84; 5/417, 482; D32/40;  
119/28.5, 600, 850, 416; 54/65-68,  
54/79.1-79.4

See application file for complete search history.

(56) **References Cited**

**U.S. PATENT DOCUMENTS**

2,803,845	A *	8/1957	Bradford	.....	15/209.1
4,660,225	A *	4/1987	Kahn	.....	2/49.4
D293,060	S *	12/1987	Botbol	.....	D6/608
4,991,978	A *	2/1991	Ostrowski	.....	383/4
D339,710	S *	9/1993	Perna, Jr.	.....	D6/608
D355,096	S *	2/1995	Lang	.....	D6/608
5,657,489	A *	8/1997	Ponstein	.....	2/69
5,666,679	A *	9/1997	Ruddy	.....	5/502

D408,201	S *	4/1999	King	.....	D6/608
D415,603	S *	10/1999	Wampler	.....	D2/823
D433,590	S *	11/2000	Johnson	.....	D6/608
6,237,150	B1 *	5/2001	Lucas	.....	2/49.1
6,374,411	B1 *	4/2002	Duhn	.....	2/49.1
D482,224	S *	11/2003	DeCet	.....	D6/608
D493,657	S *	8/2004	Farago et al.	.....	D6/608
D547,102	S *	7/2007	Overstreet	.....	D6/608
7,520,010	B2 *	4/2009	Welch	.....	5/655
D661,845	S *	6/2012	Chase et al.	.....	D30/145

\* cited by examiner

*Primary Examiner* — Caron D Veynar

*Assistant Examiner* — Martie K Holtje

(74) *Attorney, Agent, or Firm* — Richards Patent Law P.C.

(57) **CLAIM**

The ornamental design for a pet drying towel, as shown and described.

**DESCRIPTION**

FIG. 1 is a top plan view of a pet drying towel showing our new design;

FIG. 2 is a side elevation view thereof;

FIG. 3 is a front perspective view thereof; and,

FIG. 4 is a bottom plan view thereof.

The stitching depicted with broken lines in FIGS. 1, 3, and 4 has been shown for the purpose of illustrating features of the pet drying towel that form no part of the claimed design.

**1 Claim, 4 Drawing Sheets**

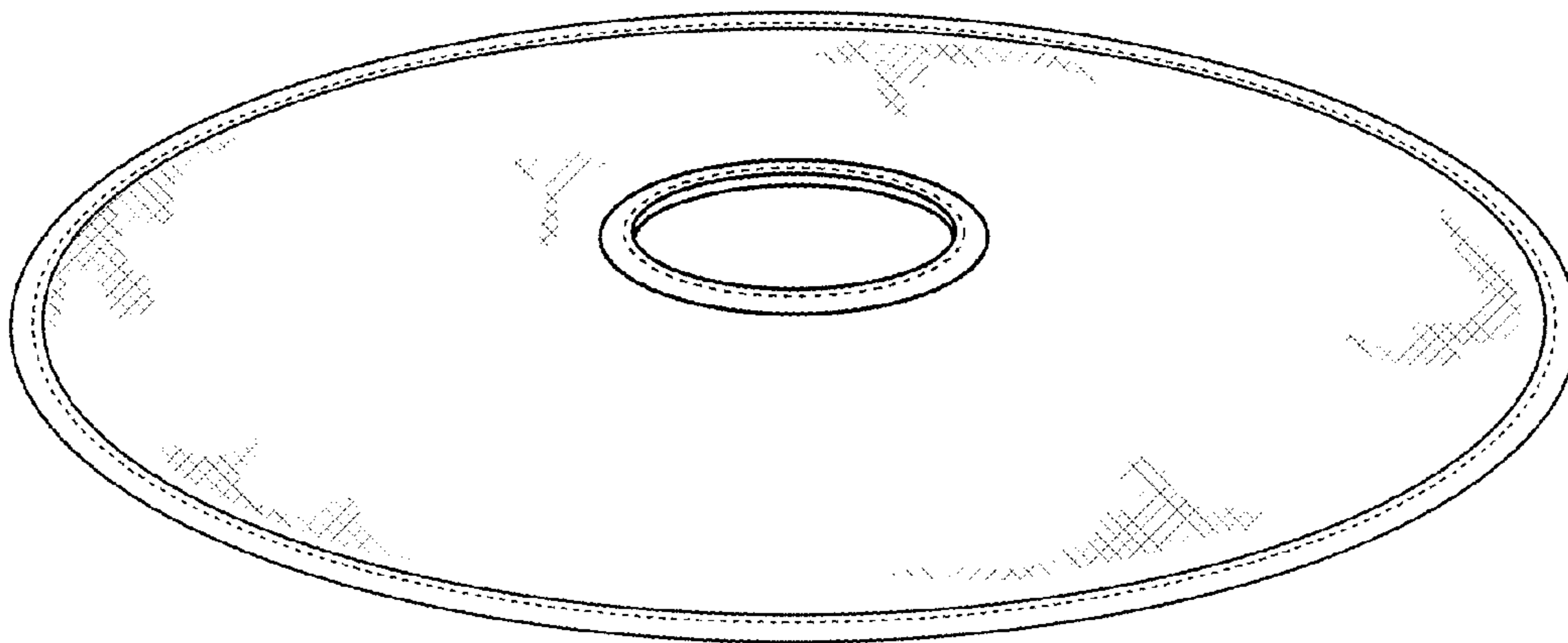


Fig. 1

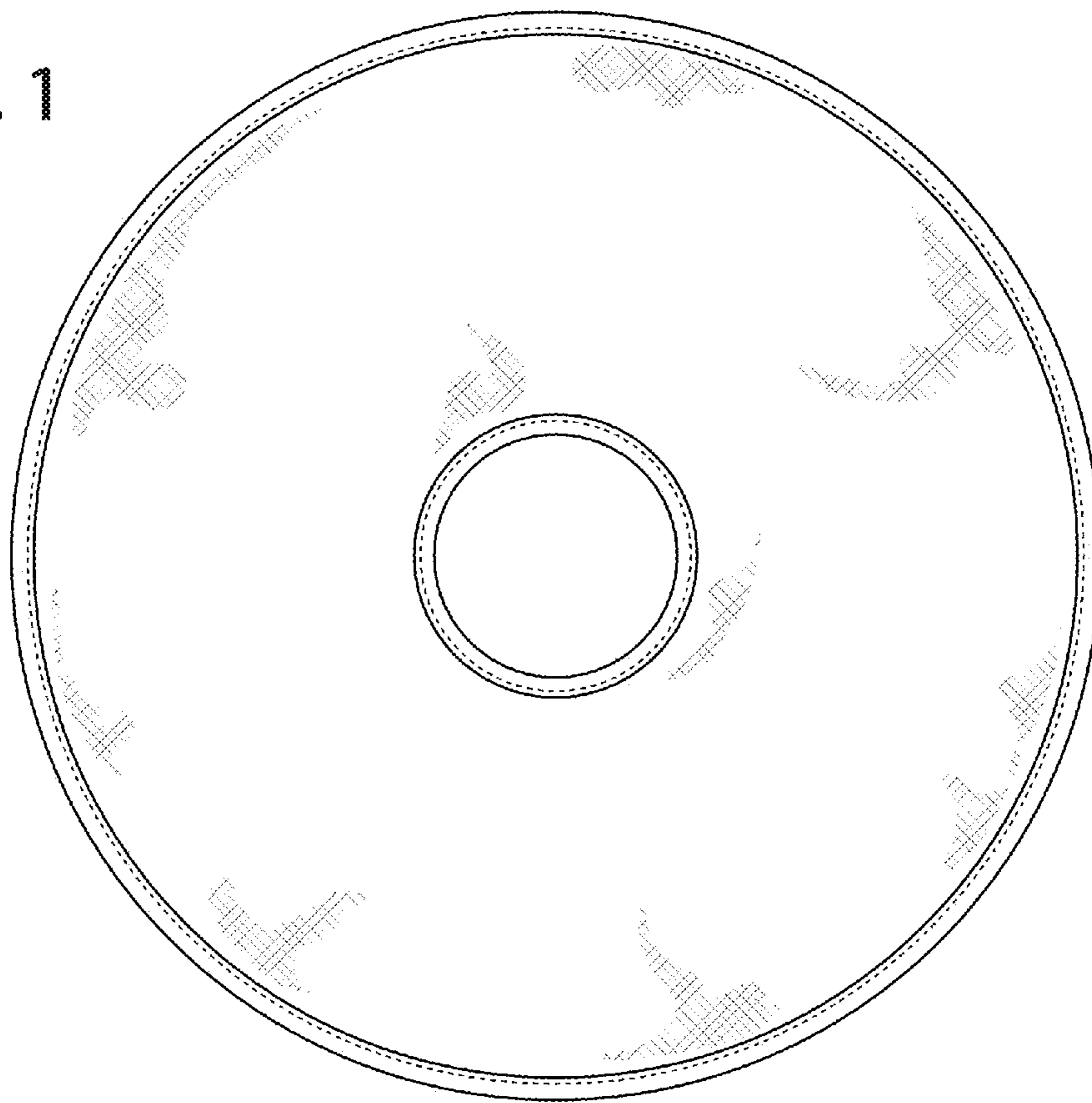


Fig. 2

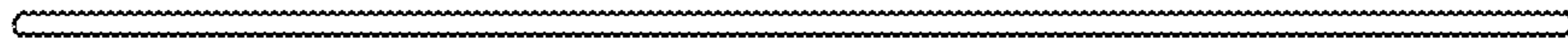


Fig. 3

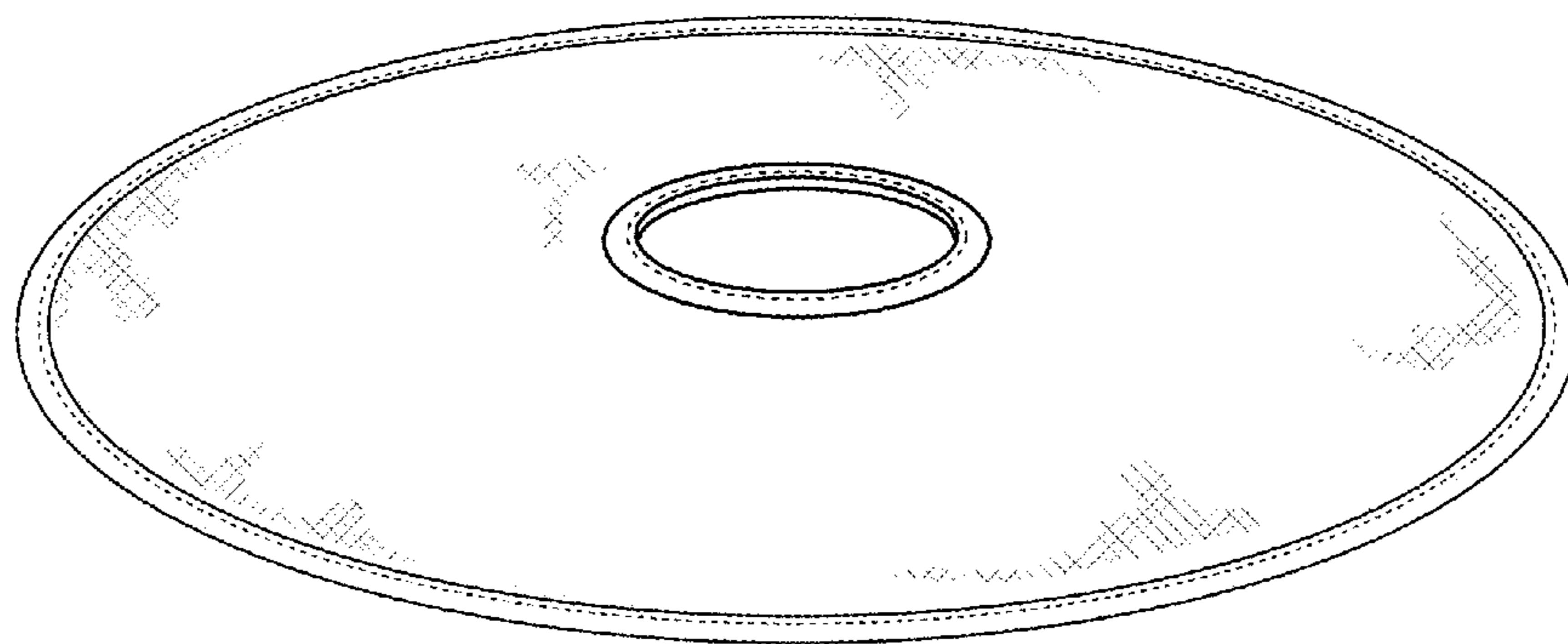


Fig. 4

