



US00D706498S

(12) **United States Design Patent**
Aulwes et al.

(10) **Patent No.:** **US D706,498 S**
(45) **Date of Patent:** **** Jun. 3, 2014**

(54) **HANDLE FOR EQUINE BRUSH**
(75) Inventors: **Chad Aulwes**, Sterling, IL (US); **Helen Cox**, Sterling, IL (US)
(73) Assignee: **Wahl Clipper Corporation**, Sterling, IL (US)
(**) Term: **14 Years**

(21) Appl. No.: **29/409,431**
(22) Filed: **Dec. 22, 2011**
(51) **LOC (10) Cl.** **30-99**
(52) **U.S. Cl.**
USPC **D30/158; D4/138**
(58) **Field of Classification Search**
USPC D30/158, 159, 199; D4/114, 119, 122, D4/129, 137, 138, 199; D7/393, 395; D8/83, 94, 107; D24/133; D28/85; D32/35, 40, 41, 42, 45, 51, 52; 15/104.002, 105, 209, 214, 230.11, 15/235.4, 167.1, 145, 159.1; D19/53
See application file for complete search history.

(56) **References Cited**
U.S. PATENT DOCUMENTS
1,028,547 A * 6/1912 Copeland 15/145
1,847,668 A * 3/1932 Reh 15/159.1
D221,822 S * 9/1971 Kieves D4/137
D222,200 S * 10/1971 Kieves D4/137
D283,851 S * 5/1986 Walko D4/130
D320,292 S * 9/1991 Bartlett D30/158
D356,408 S * 3/1995 Adolf D32/40
D422,759 S * 4/2000 Cady et al. D30/158

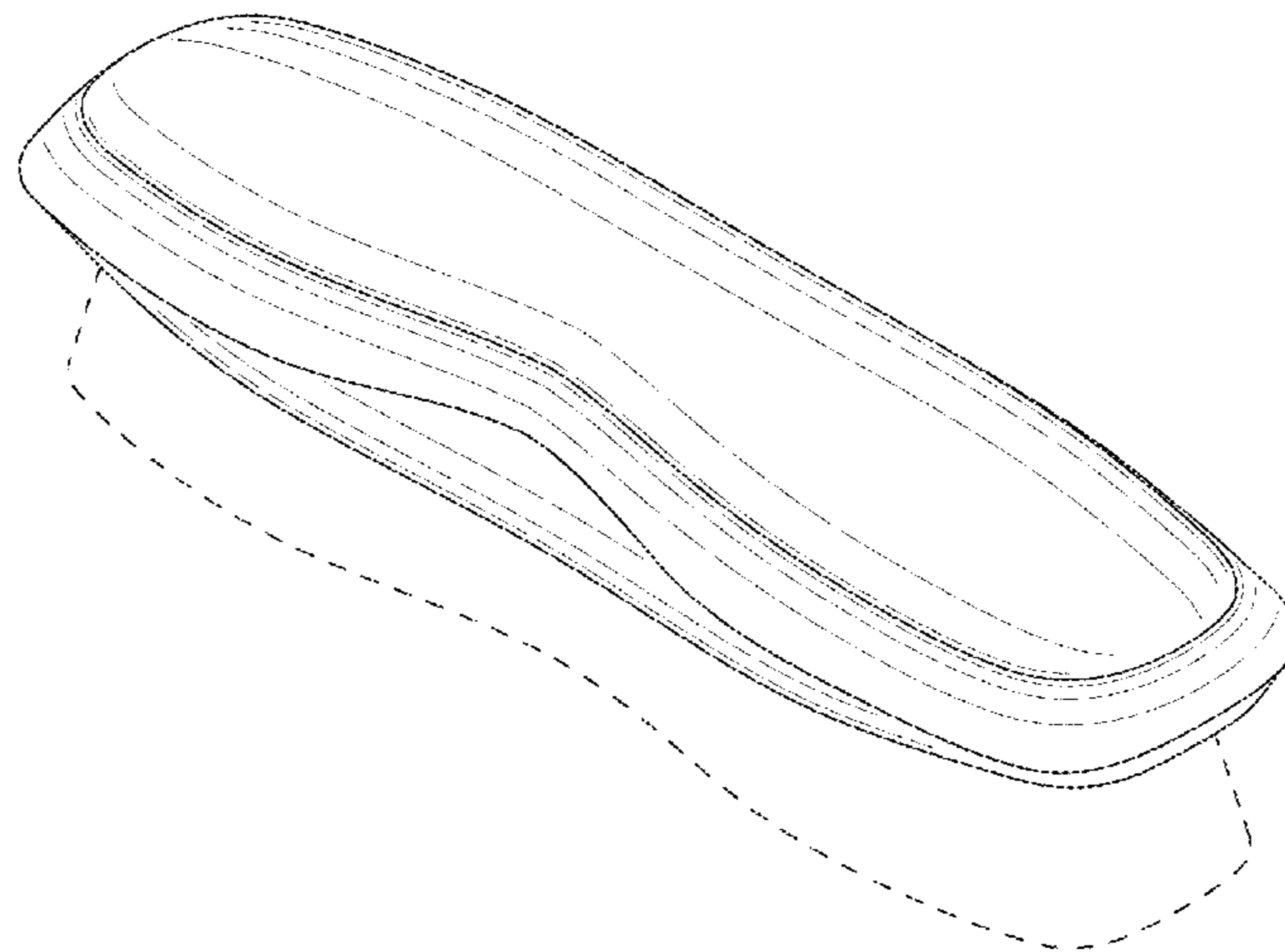
D457,698 S * 5/2002 Susani D32/40
D459,589 S * 7/2002 Farrage et al. D4/138
D479,050 S * 9/2003 Hay D4/129
D480,219 S * 10/2003 Mastroianni D4/138
D509,658 S * 9/2005 Swyst et al. D4/130
D532,611 S * 11/2006 Berhoff D4/199
D648,794 S * 11/2011 Yuan D19/53

* cited by examiner
Primary Examiner — Caron D Veynar
Assistant Examiner — Martie K Holtje
(74) *Attorney, Agent, or Firm* — Greer, Burns & Crain, Ltd.

(57) **CLAIM**
The ornamental design for a handle for equine brush, as shown and described.

DESCRIPTION
FIG. 1 is a top perspective view of a first embodiment of a handle for equine brush showing our new design;
FIG. 2 is a right side view of FIG. 1;
FIG. 3 is a left side view of FIG. 1;
FIG. 4 is a front view of FIG. 1;
FIG. 5 is a rear view of FIG. 1;
FIG. 6 is a top plan view of FIG. 1;
FIG. 7 is a bottom plan view of FIG. 1;
FIG. 8 is a top perspective view of a second embodiment of our new design of FIG. 1;
FIG. 9 is a right side view of FIG. 8;
FIG. 10 is a left side view of FIG. 8;
FIG. 11 is a front view of FIG. 8;
FIG. 12 is a rear view of FIG. 8;
FIG. 13 is a top plan view of FIG. 8; and,
FIG. 14 is a bottom plan view of FIG. 8.

1 Claim, 8 Drawing Sheets



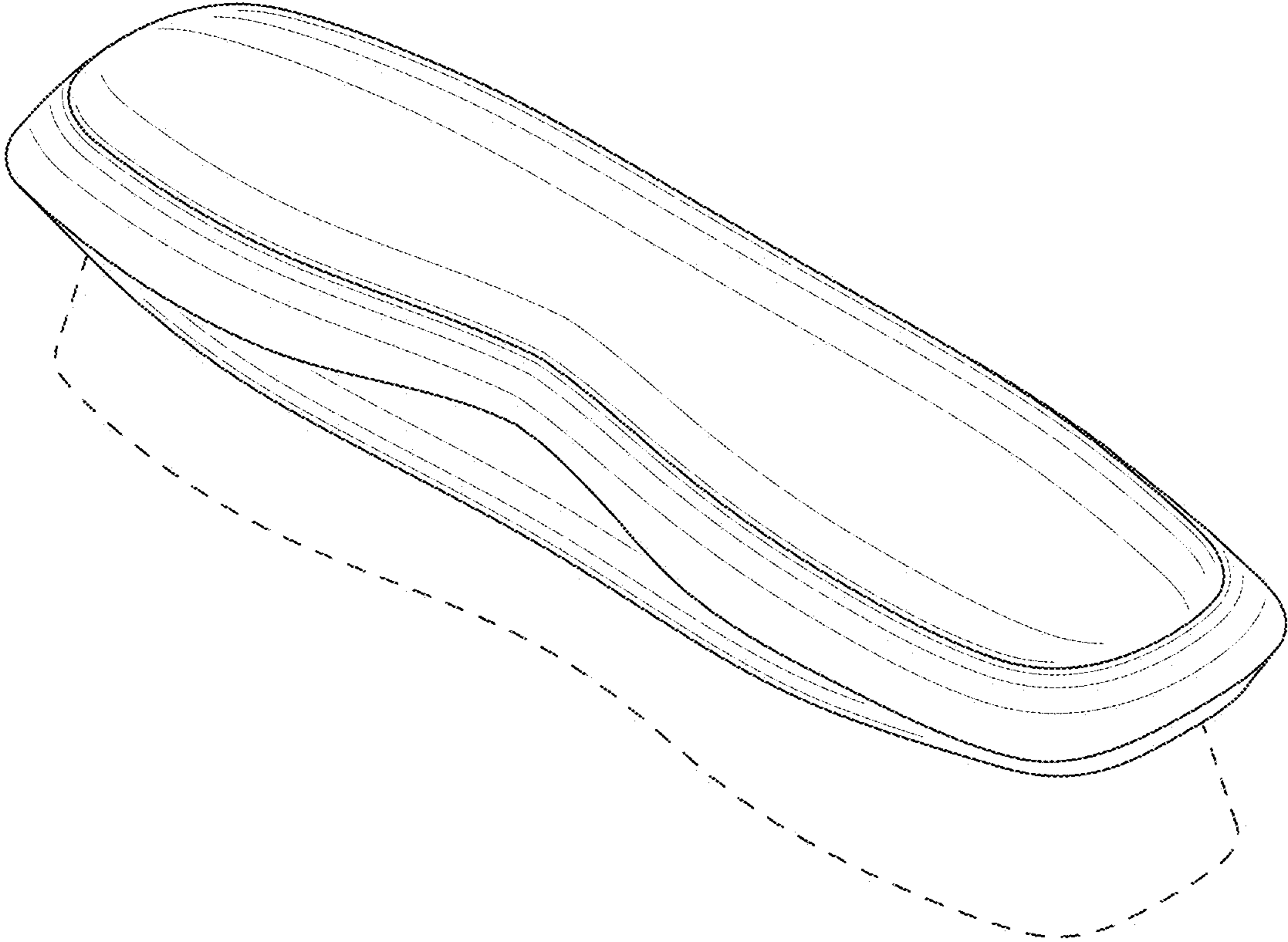


FIG. 1

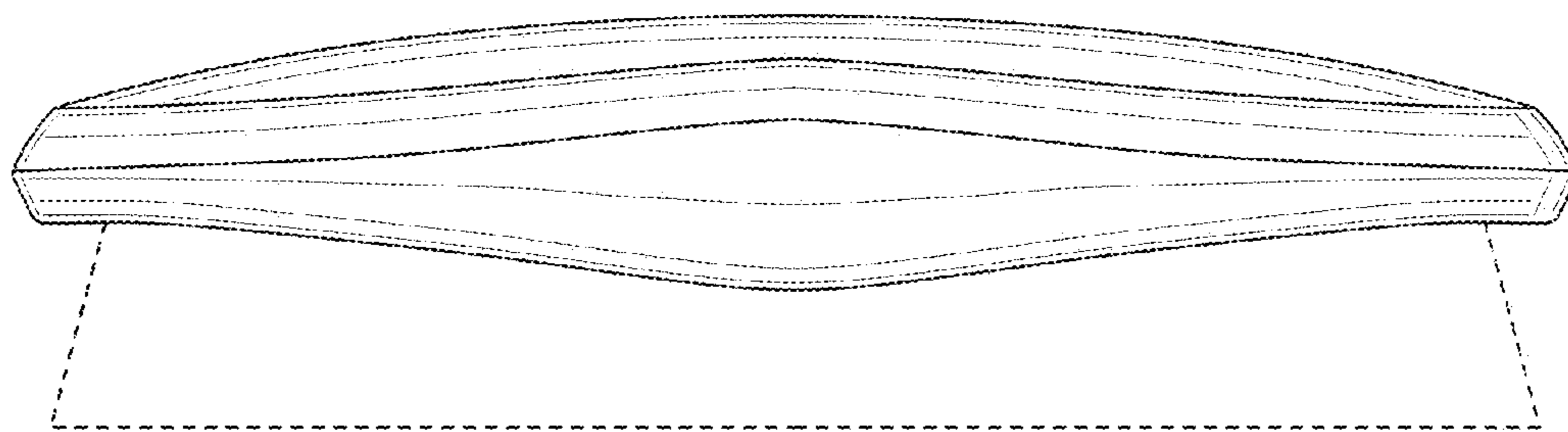


FIG. 2

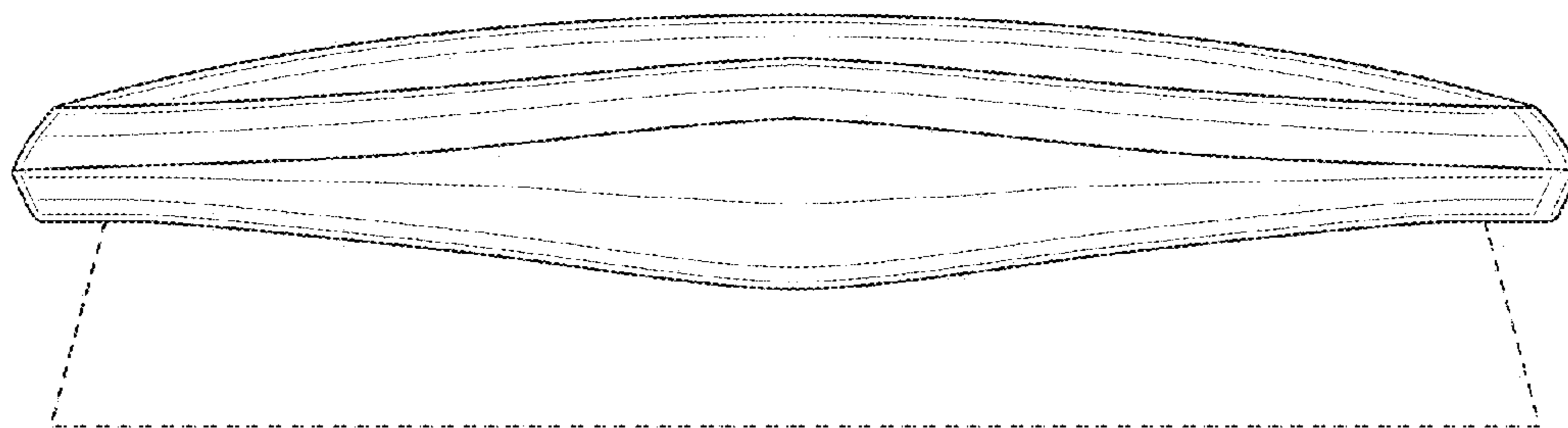


FIG. 3

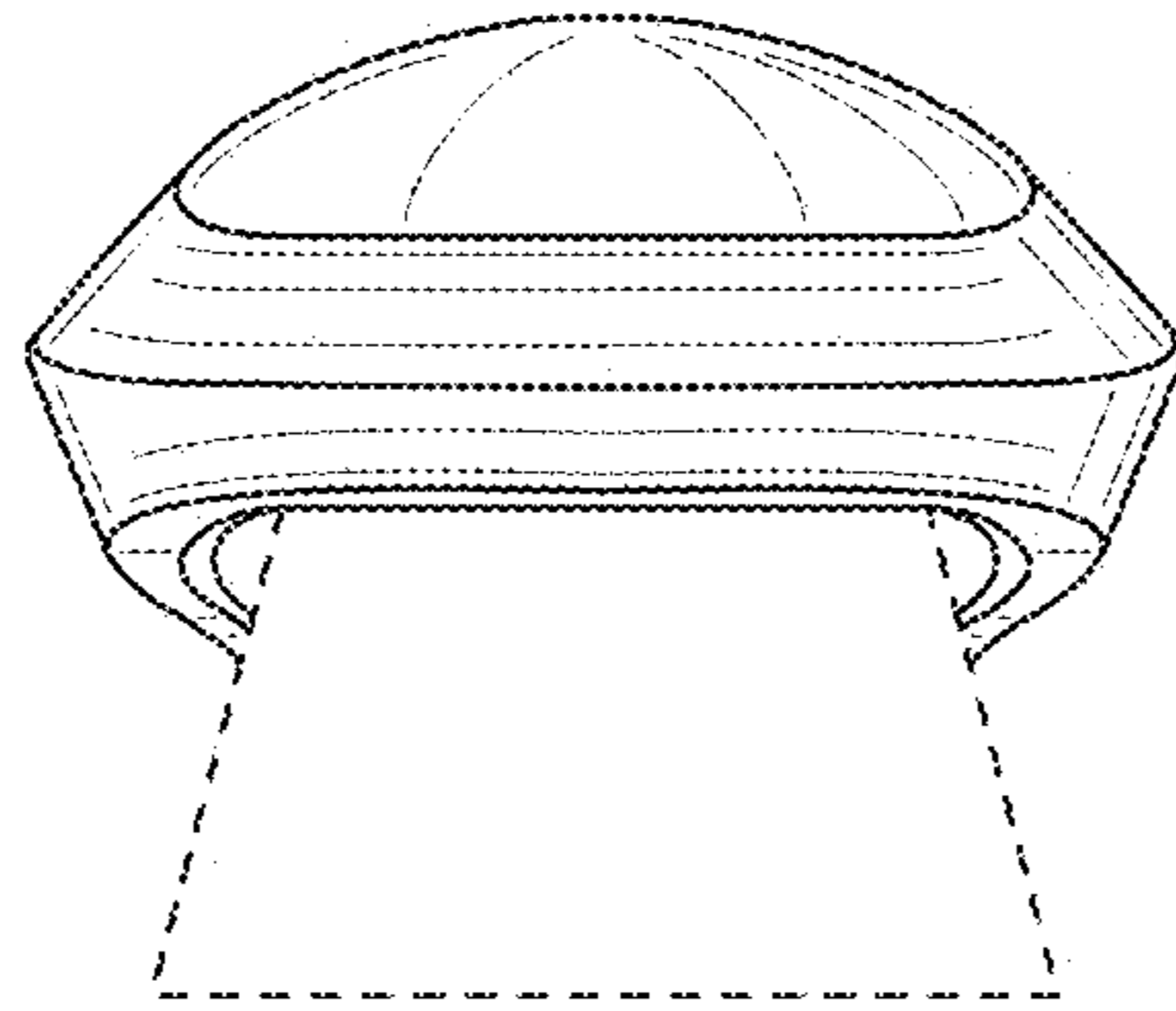


FIG. 4

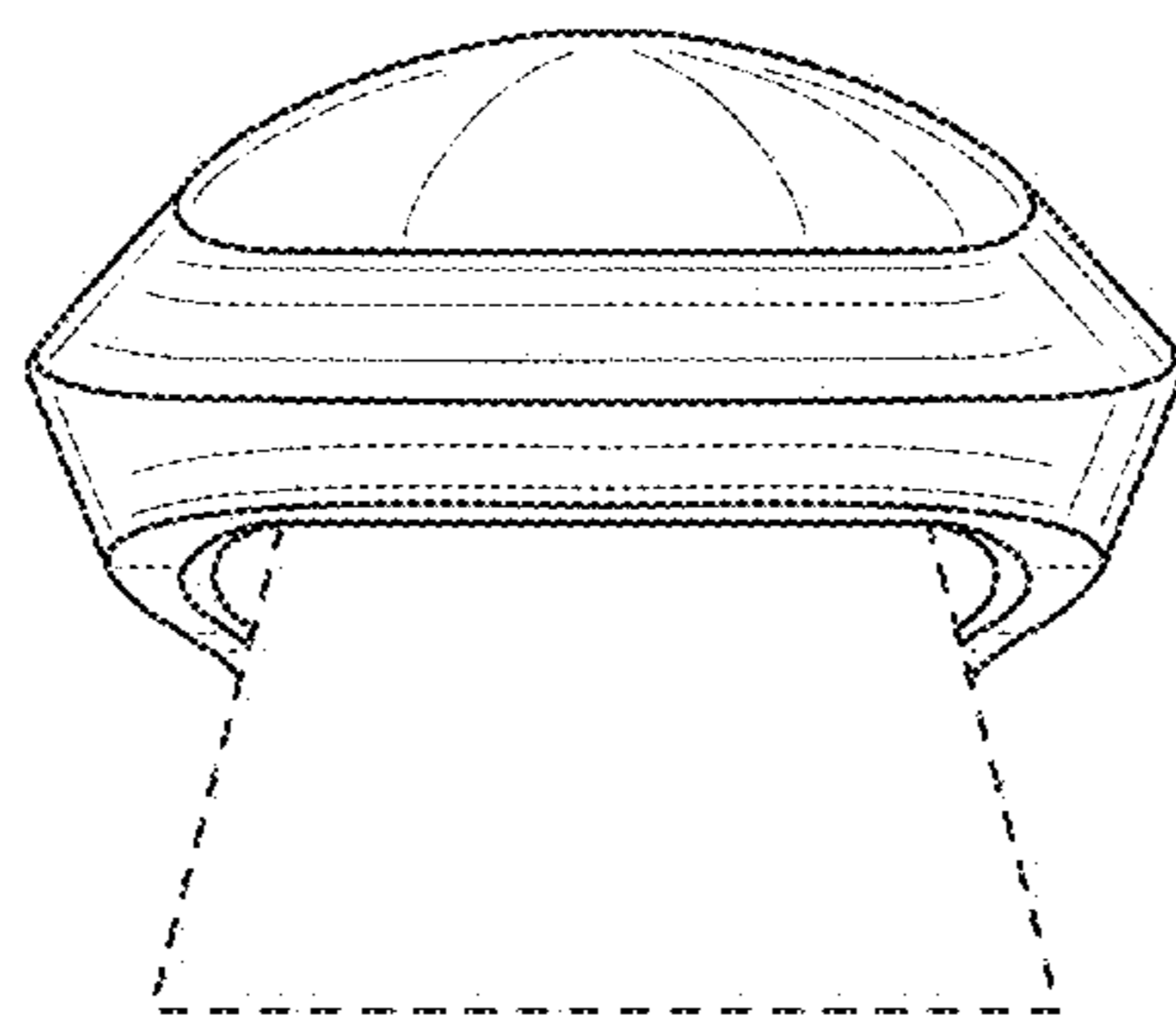


FIG. 5

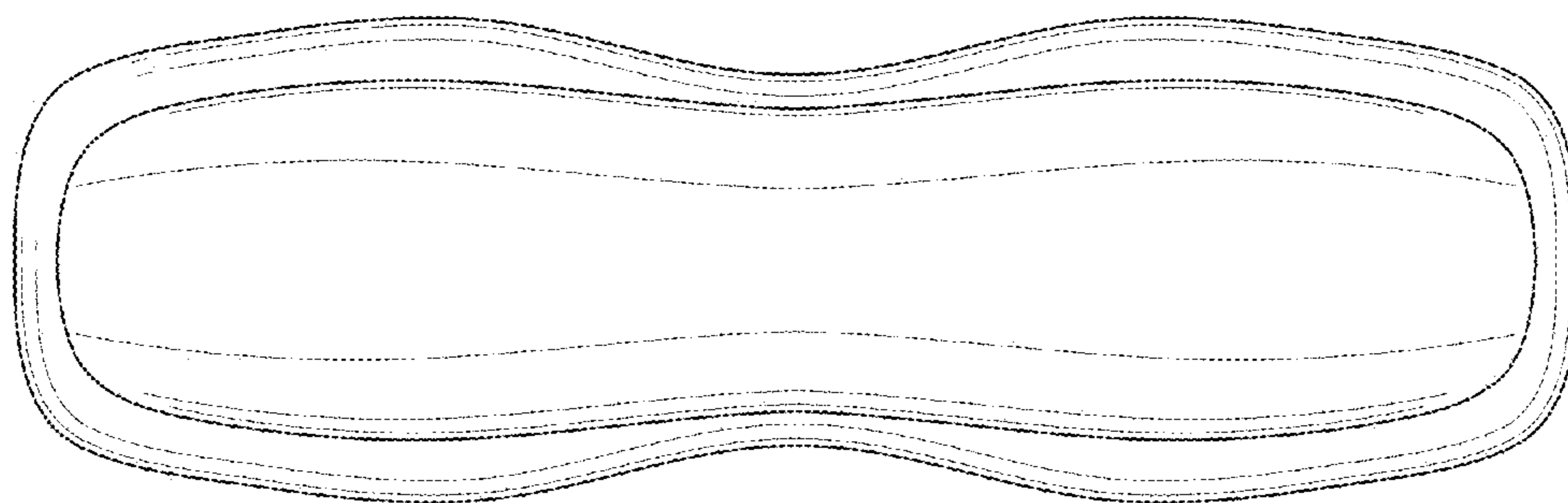


FIG. 6

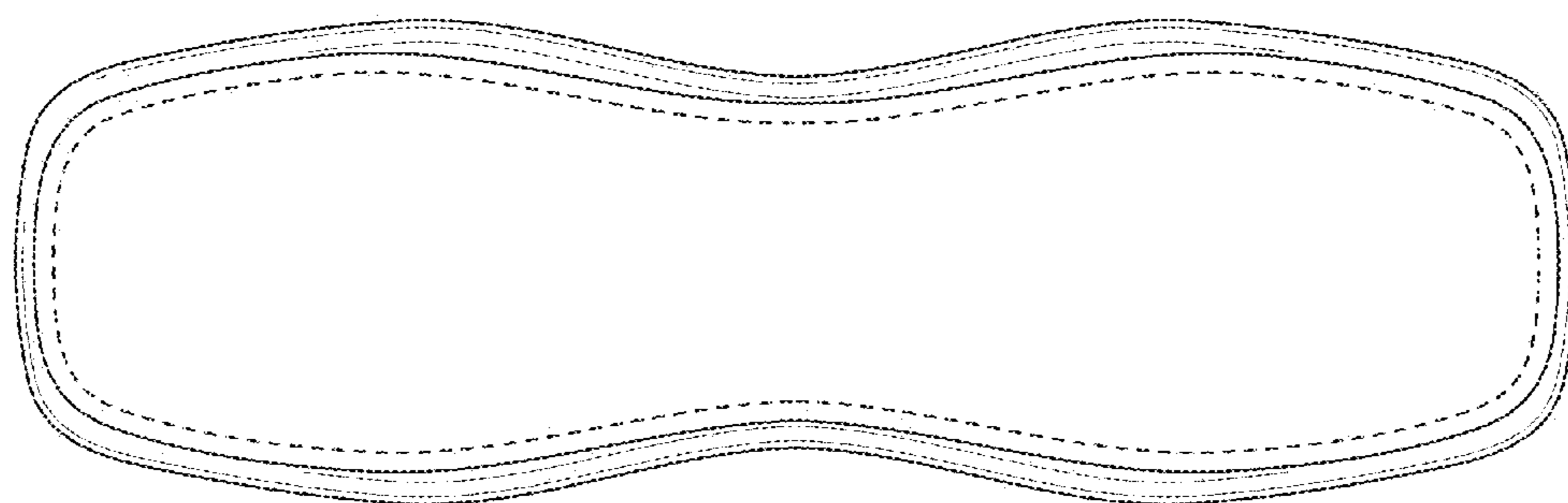


FIG. 7

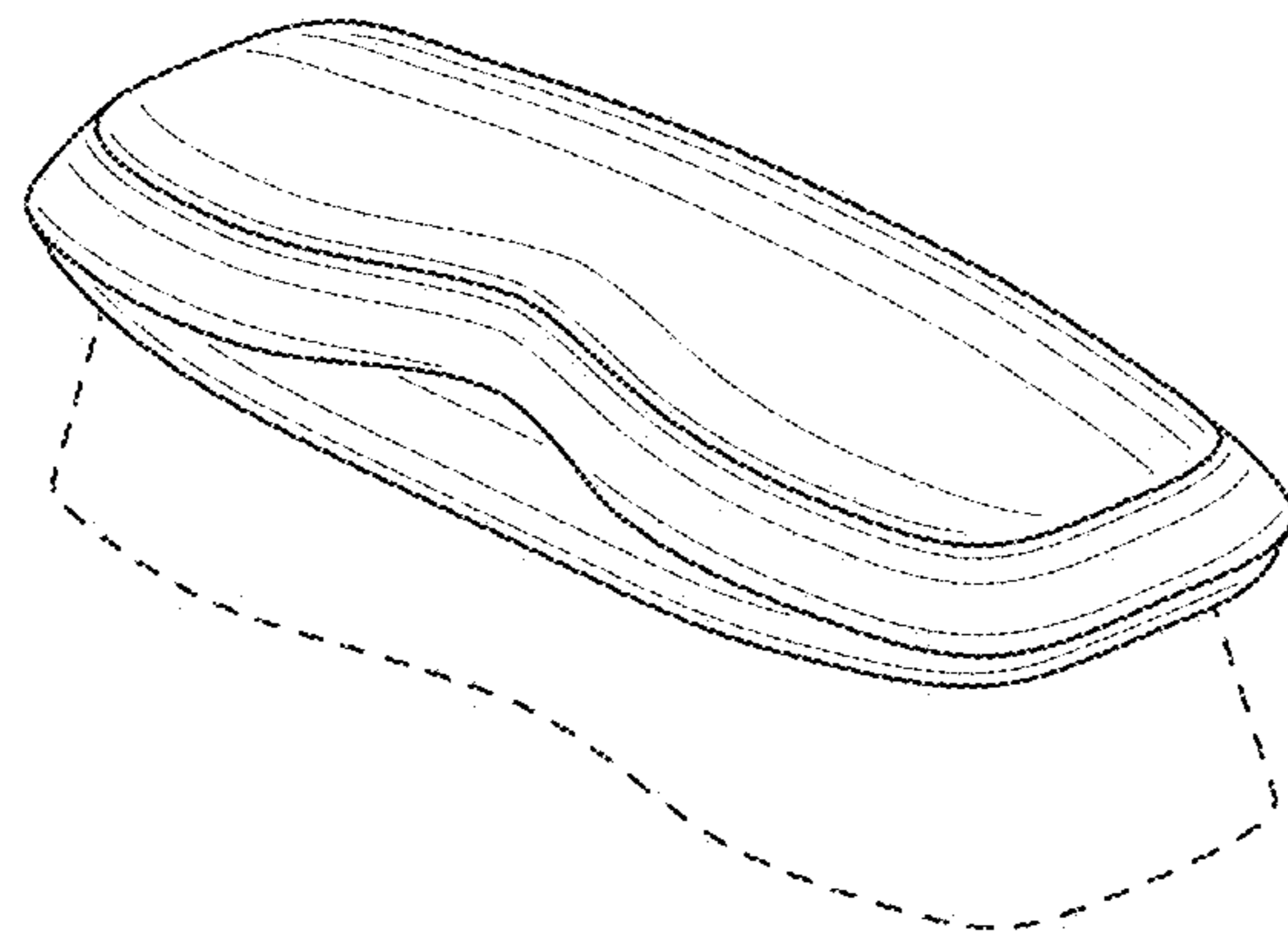


FIG. 8

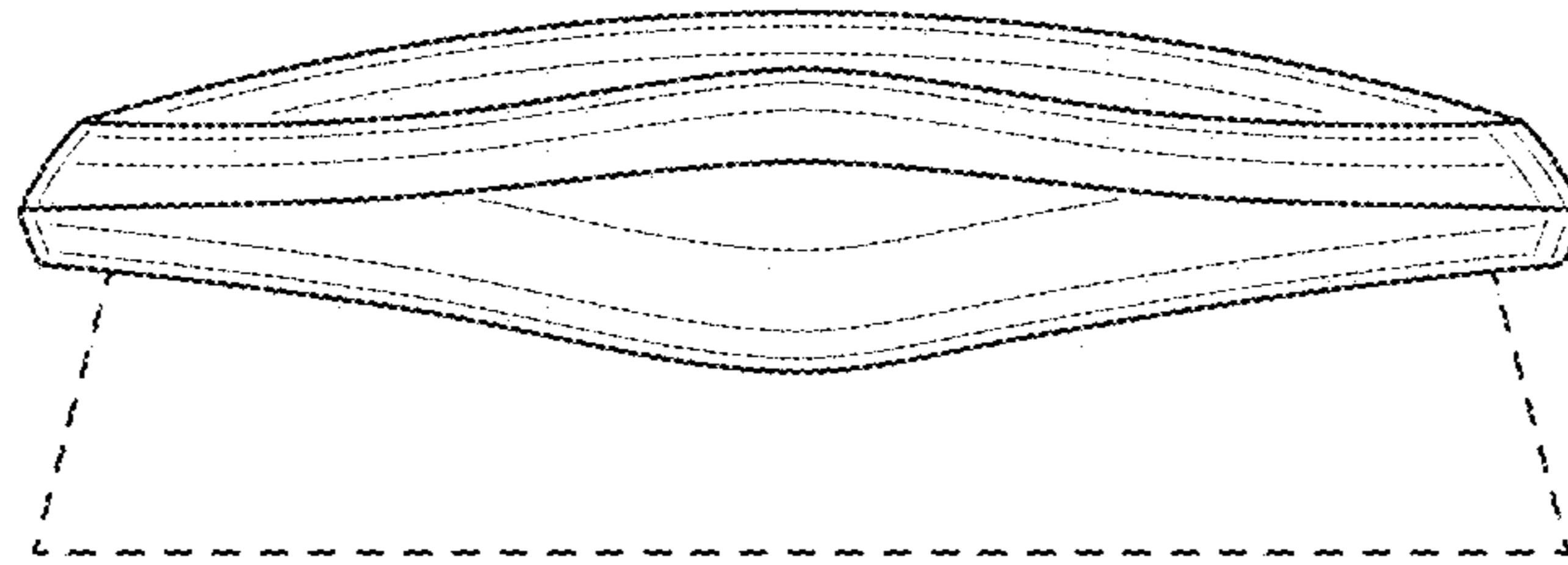


FIG. 9

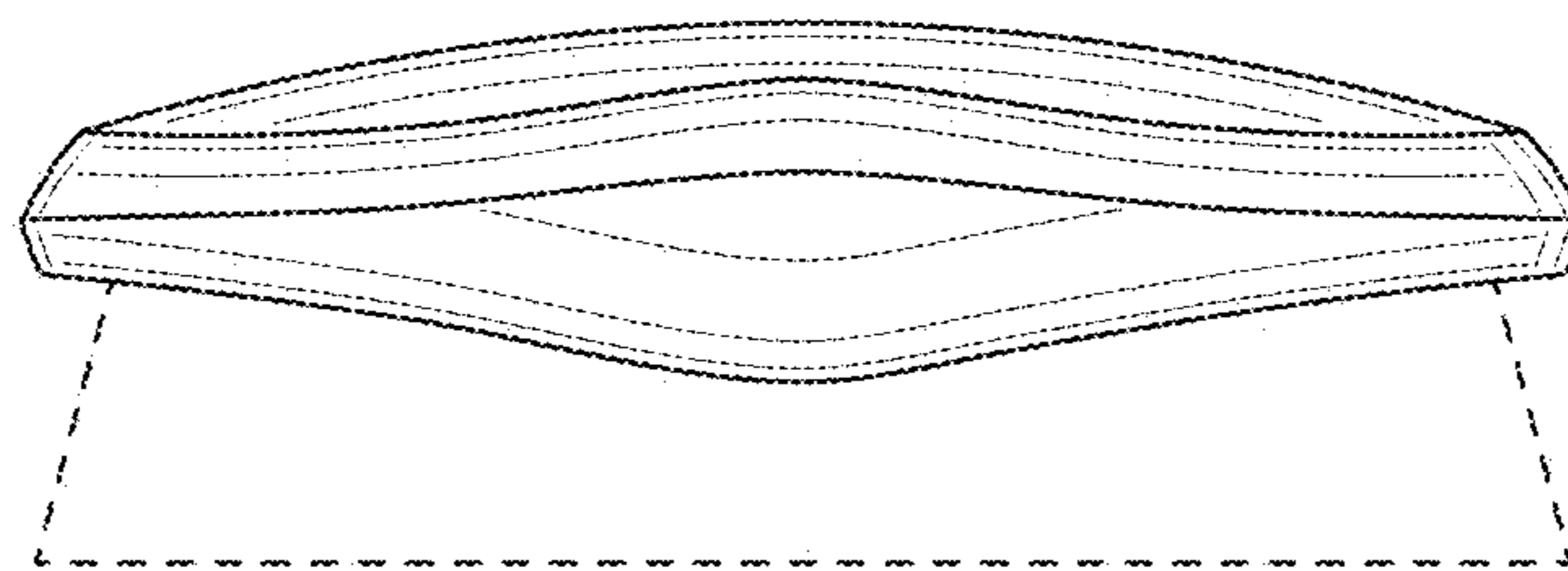


FIG. 10

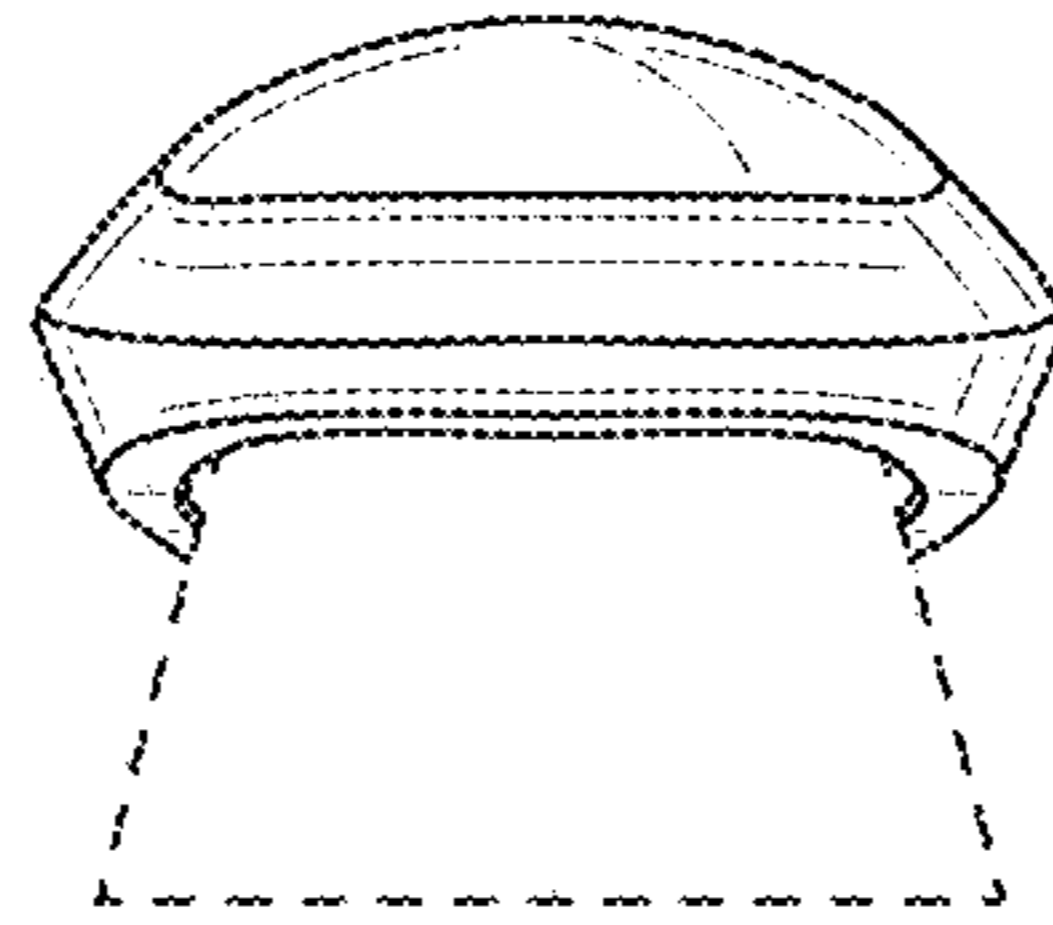


FIG. 11

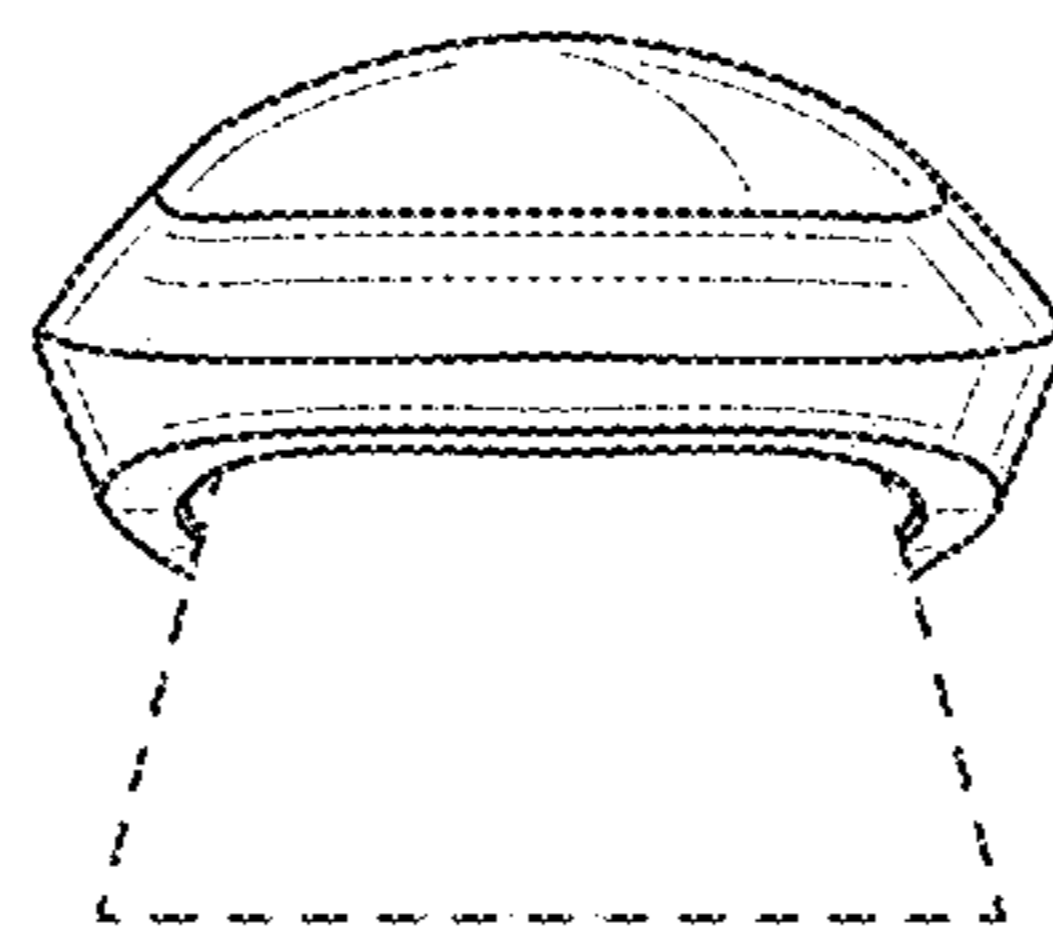


FIG. 12

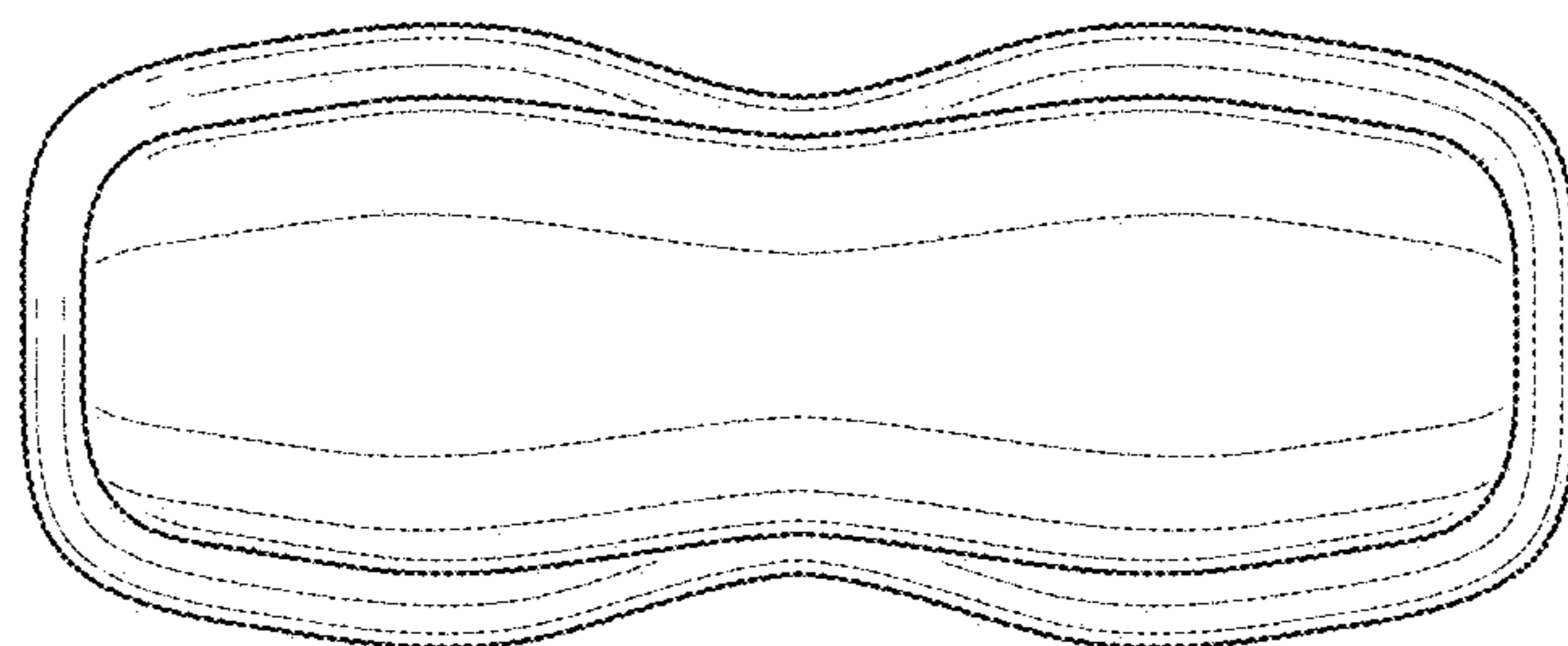


FIG. 13

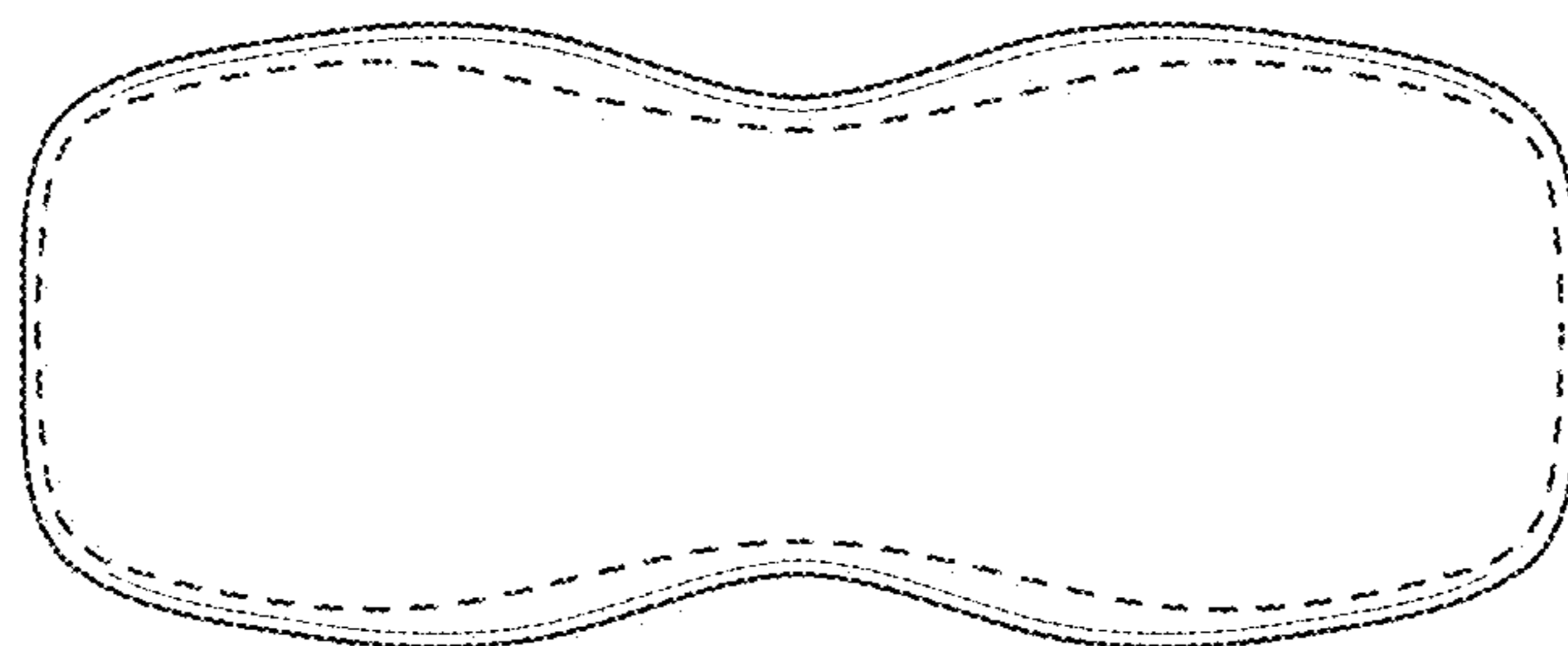


FIG. 14