



US00D706497S

(12) **United States Design Patent**
Watanabe

(10) **Patent No.:** **US D706,497 S**
(45) **Date of Patent:** **** Jun. 3, 2014**

- (54) **MUZZLE FOR PETS**
- (71) Applicant: **Teramoto Corporation Ltd.**, Osaka (JP)
- (72) Inventor: **Ryota Watanabe**, Osaka (JP)
- (73) Assignee: **Teramoto Corporation Ltd.**, Osaka (JP)
- (**) Term: **14 Years**
- (21) Appl. No.: **29/457,411**
- (22) Filed: **Jun. 10, 2013**
- (51) **LOC (10) Cl.** **30-04**
- (52) **U.S. Cl.**
USPC **D30/152; D30/199**
- (58) **Field of Classification Search**
USPC D30/144, 145, 151, 152, 153, 199;
D21/595, 608, 659, 660, 661; D2/741,
D2/869; 2/206; 54/80.3; 119/719, 814,
119/821, 824, 831, 832, 834; 446/27, 92
See application file for complete search history.

- (56) **References Cited**
U.S. PATENT DOCUMENTS
D47,788 S * 9/1915 Gruelle D21/608
D135,882 S * 6/1943 Cooper D21/660
(Continued)

Primary Examiner — Caron D Veynar
Assistant Examiner — Martie K Holtje
 (74) *Attorney, Agent, or Firm* — Hamre, Schumann, Mueller & Larson, P.C.

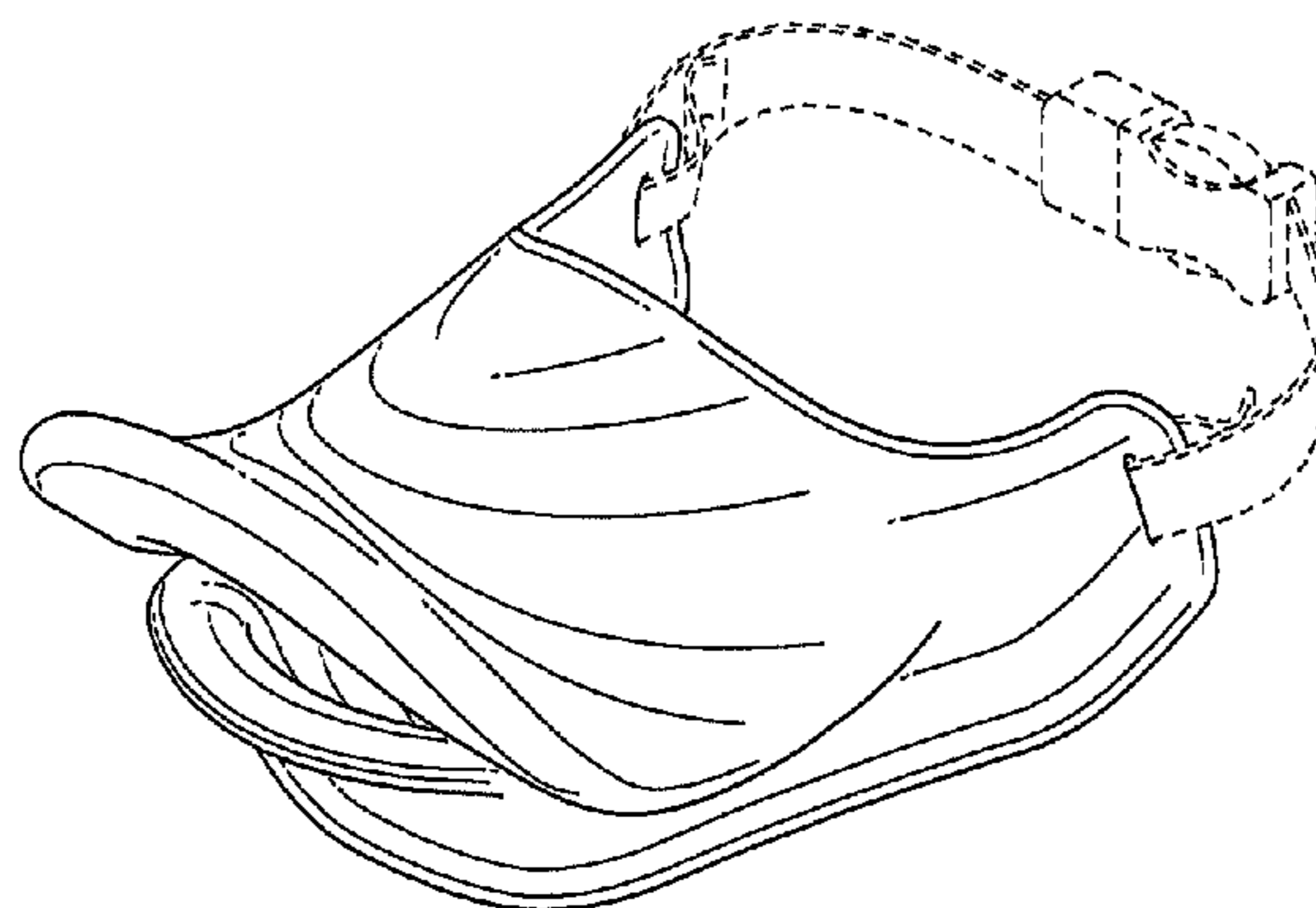
(57) **CLAIM**
 The ornamental design for a muzzle for pets, as shown and described.

DESCRIPTION

FIG. 1 is a top, right front perspective view of a muzzle for pets showing a first embodiment of my new design;
 FIG. 2 is a front elevational view of FIG. 1;

FIG. 3 is a rear elevational view of FIG. 1;
 FIG. 4 is a right side elevational view of FIG. 1;
 FIG. 5 is a top plan view of FIG. 1;
 FIG. 6 is a bottom plan view of FIG. 1;
 FIG. 7 is a longitudinal cross-sectional view of FIG. 1, taken through the center thereof;
 FIG. 8 is a top, right front perspective view of a second embodiment of my design of FIG. 1;
 FIG. 9 is a front elevational view of FIG. 8;
 FIG. 10 is a rear elevational view of FIG. 8;
 FIG. 11 is a right side elevational view of FIG. 8;
 FIG. 12 is a top plan view of FIG. 8;
 FIG. 13 is a bottom plan view of FIG. 8;
 FIG. 14 is a longitudinal cross-sectional view of FIG. 8, taken through the center thereof;
 FIG. 15 is a top, right front perspective view of a third embodiment of my design of FIG. 1;
 FIG. 16 is a front elevational view of FIG. 15;
 FIG. 17 is a rear elevational view of FIG. 15;
 FIG. 18 is a right side elevational view of FIG. 15;
 FIG. 19 is a top plan view of FIG. 15;
 FIG. 20 is a bottom plan view of FIG. 15;
 FIG. 21 is a longitudinal cross-sectional view of FIG. 15, taken through the center thereof;
 FIG. 22 is a top, right front perspective view of a fourth embodiment of my design of FIG. 1;
 FIG. 23 is a front elevational view of FIG. 22;
 FIG. 24 is a rear elevational view of FIG. 22;
 FIG. 25 is a right side elevational view of FIG. 22;
 FIG. 26 is a top plan view of FIG. 22;
 FIG. 27 is a bottom plan view of FIG. 22;
 FIG. 28 is a longitudinal cross-sectional view of FIG. 22, taken through the center thereof;
 FIG. 29 is a top, right front perspective view of a fifth embodiment of my design of FIG. 1;
 FIG. 30 is a front elevational view of FIG. 29;
 FIG. 31 is a rear elevational view of FIG. 29;
 FIG. 32 is a right side elevational view of FIG. 29;
 FIG. 33 is a top plan view of FIG. 29;
 FIG. 34 is a bottom plan view of FIG. 29; and,
 FIG. 35 is a longitudinal cross-sectional view of FIG. 29, taken through the center thereof.
 The structural features depicted by broken lines have been provided for the purpose of illustrating portions of the muzzle for pets that form no part of the claimed design.

1 Claim, 30 Drawing Sheets



(56)

References Cited

U.S. PATENT DOCUMENTS

2,364,354	A *	12/1944	Felch	2/206	D278,260	S *	4/1985	Koper	D21/661
D184,302	S *	1/1959	Cooper	D21/660	5,099,800	A *	3/1992	Fitzpatrick et al.	119/719
3,090,155	A *	5/1963	Gordon	446/92	D514,631	S *	2/2006	Schechter	D21/608
4,252,086	A *	2/1981	Schenck	119/831	7,891,321	B2 *	2/2011	Slank	119/831
D269,690	S *	7/1983	Harris et al.	D21/661	D651,662	S *	1/2012	Monahan	D21/608
D274,071	S *	5/1984	Emms et al.	D21/595	D688,835	S *	8/2013	White	D30/152
						2007/0294802	A1 *	12/2007	Lin	2/206
						2011/0107982	A1 *	5/2011	Taylor	119/832
						2013/0047315	A1 *	2/2013	Yeh	2/206

* cited by examiner

Fig. 1

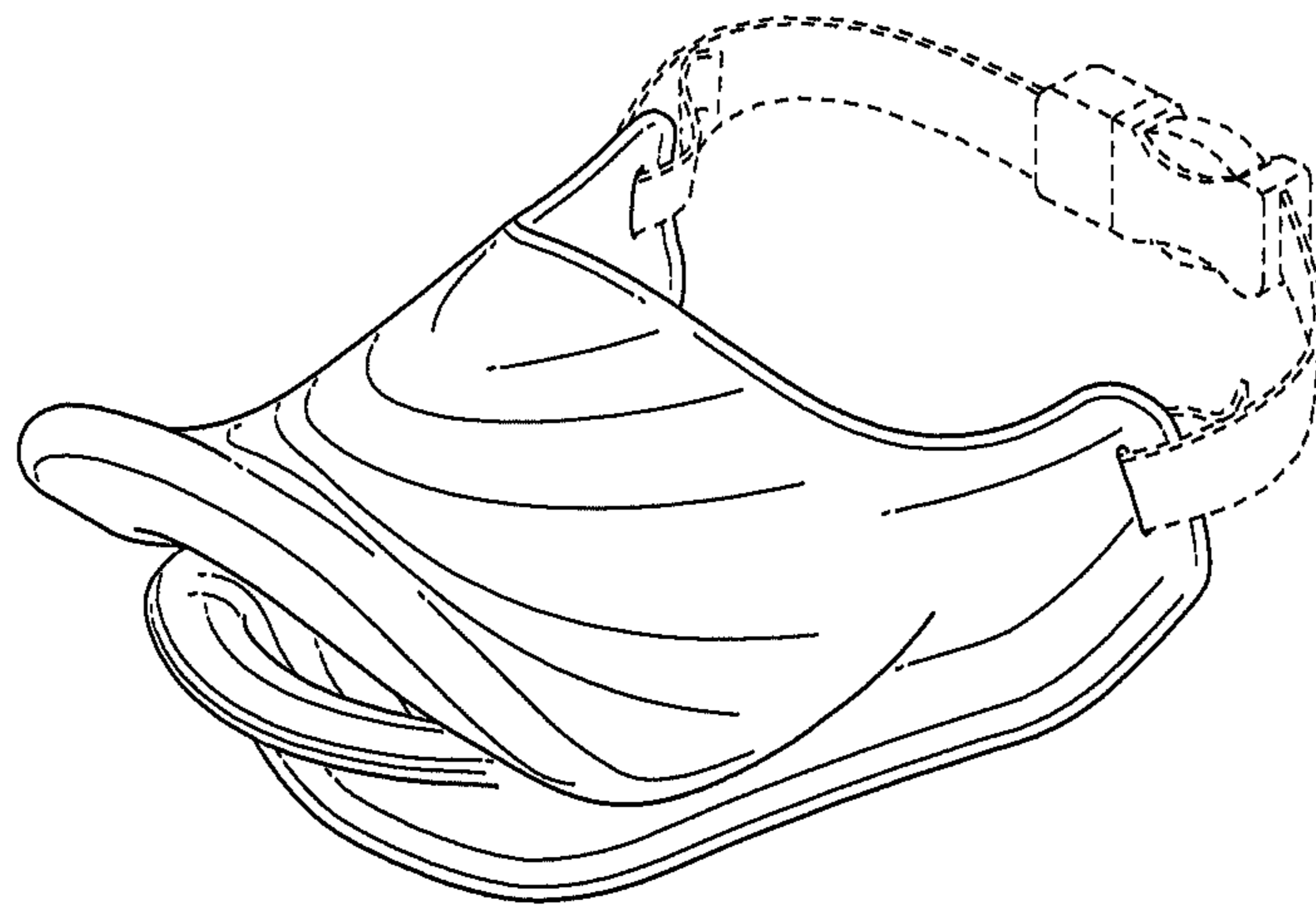


Fig. 2

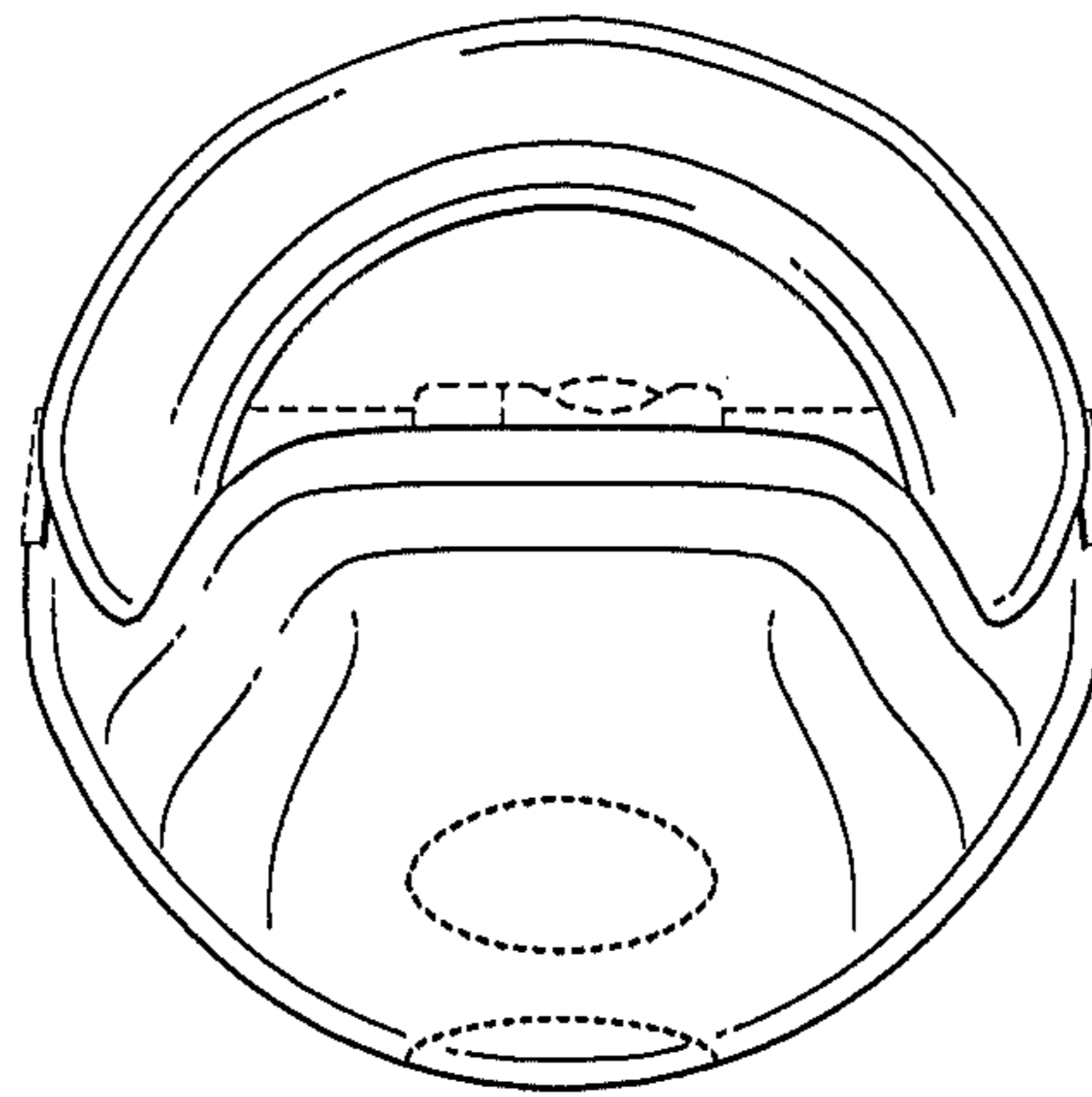


Fig. 3

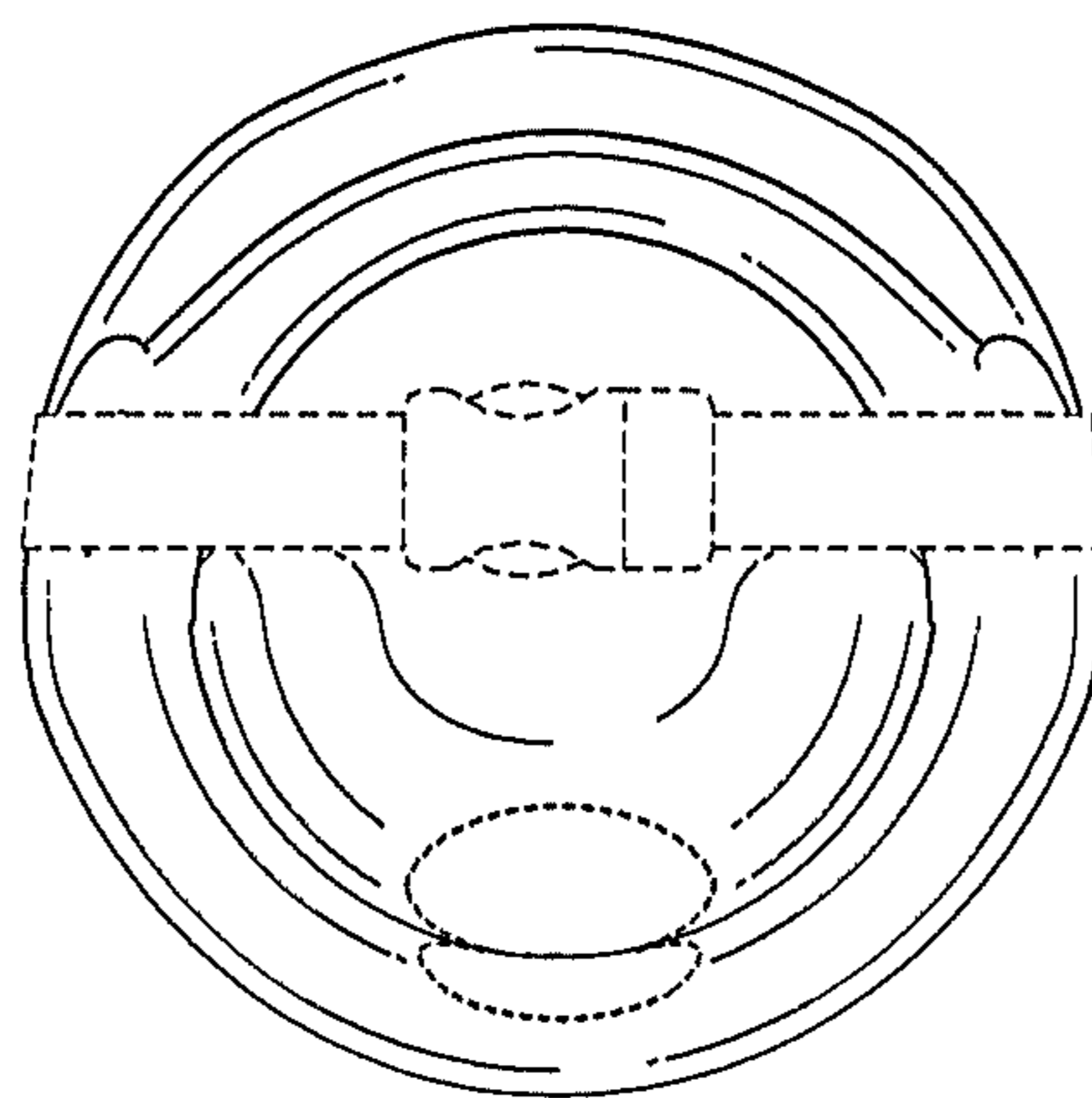


Fig. 4

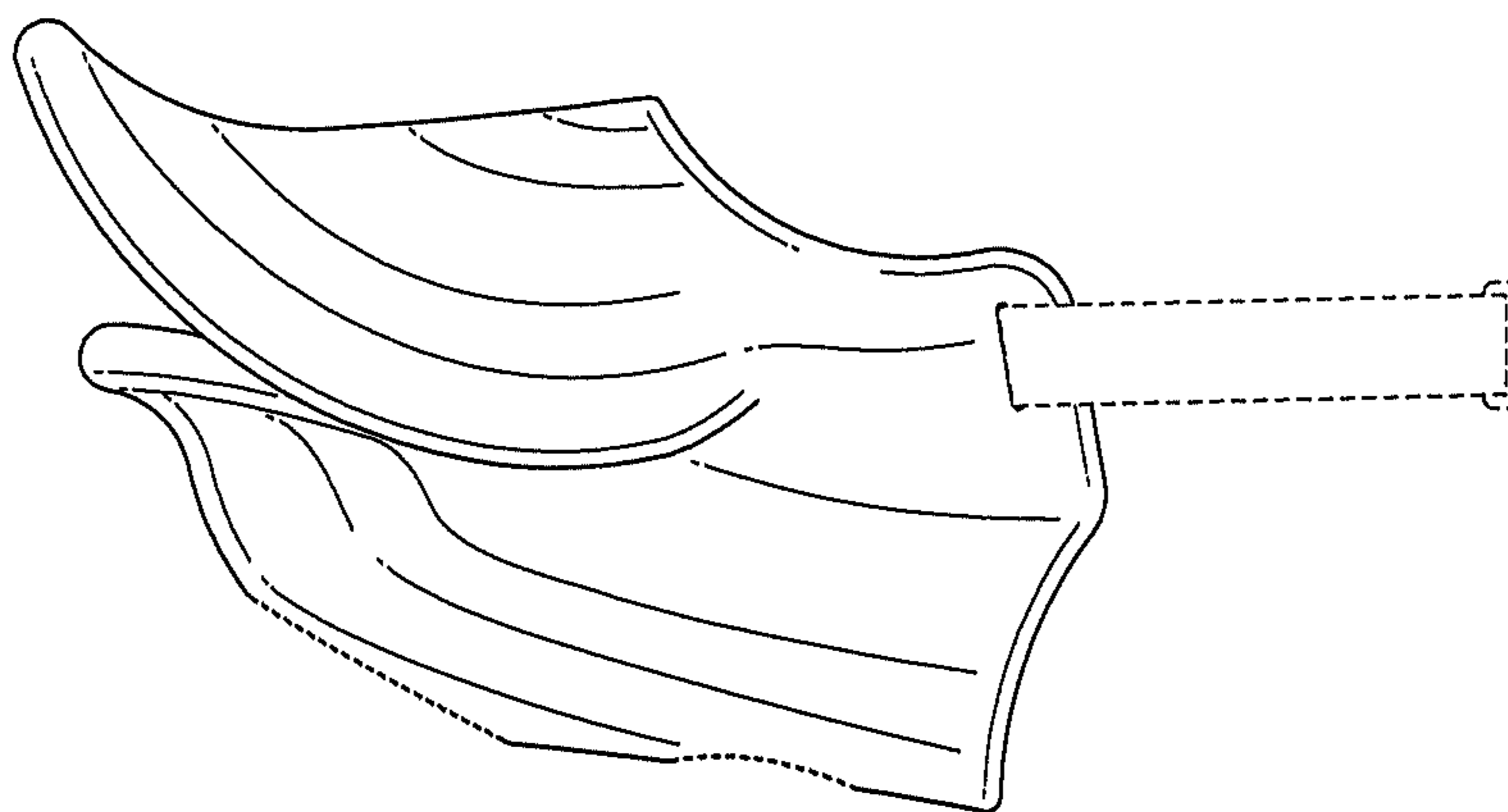


Fig. 5

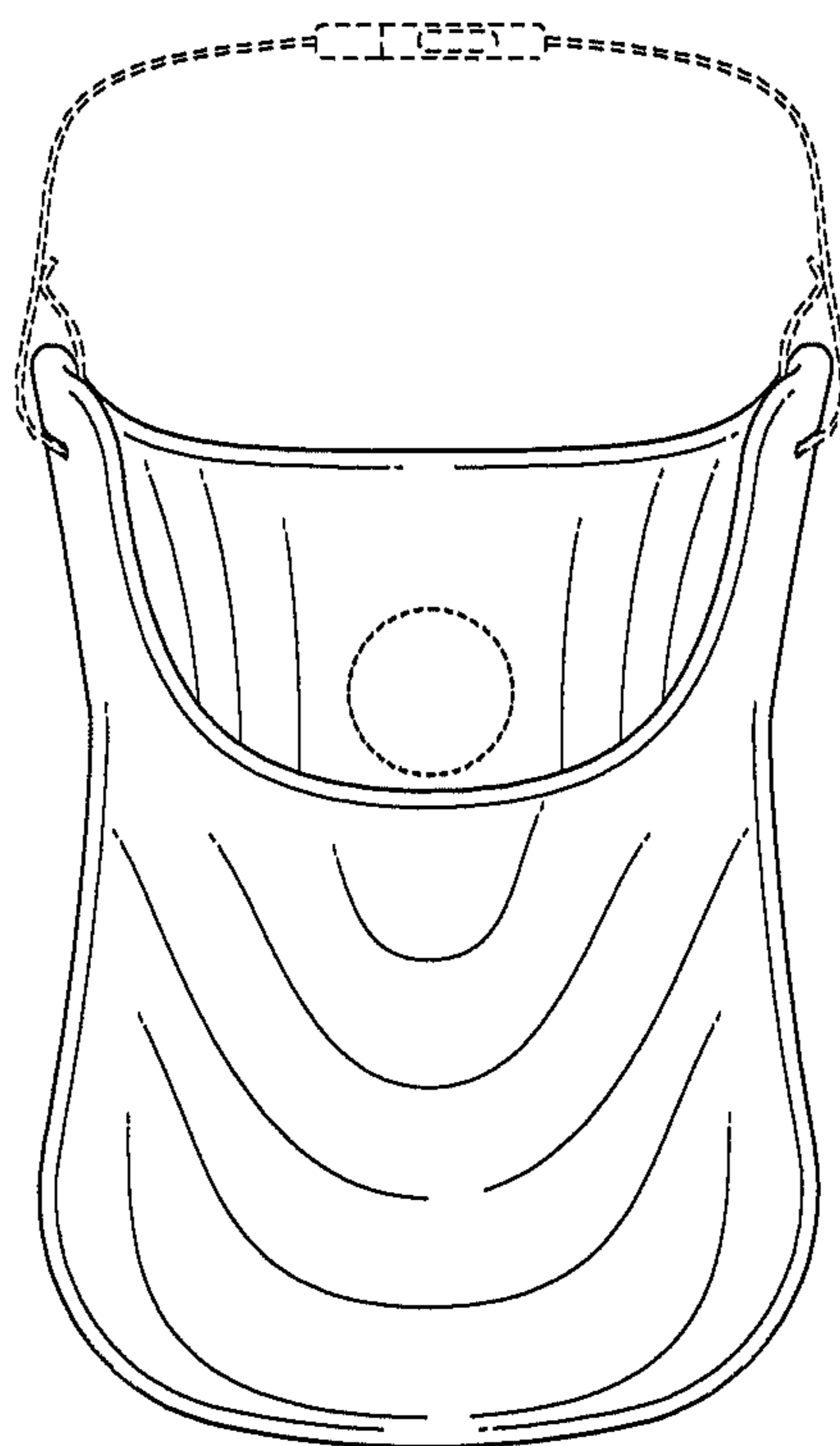


Fig. 6

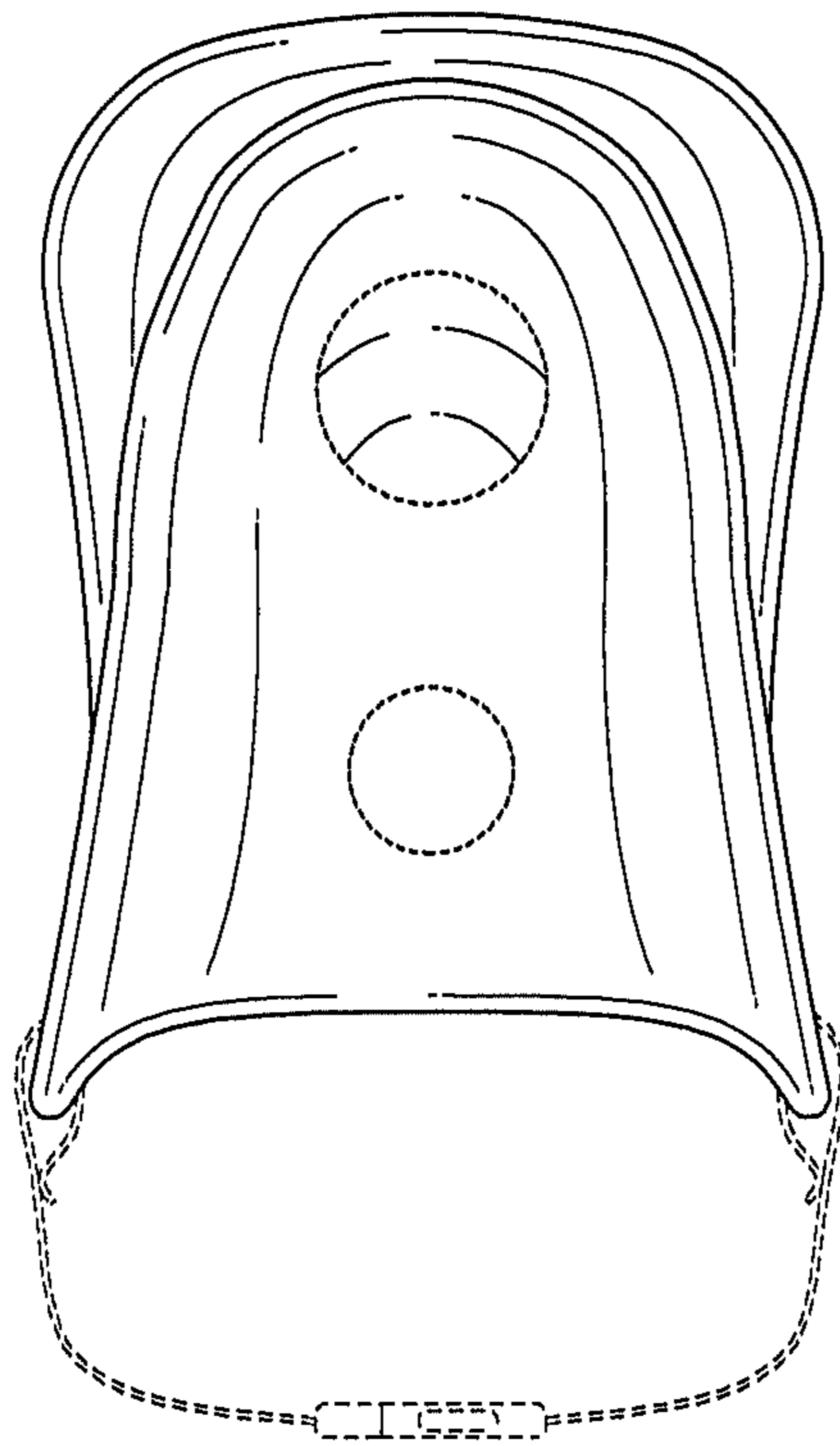


Fig. 7

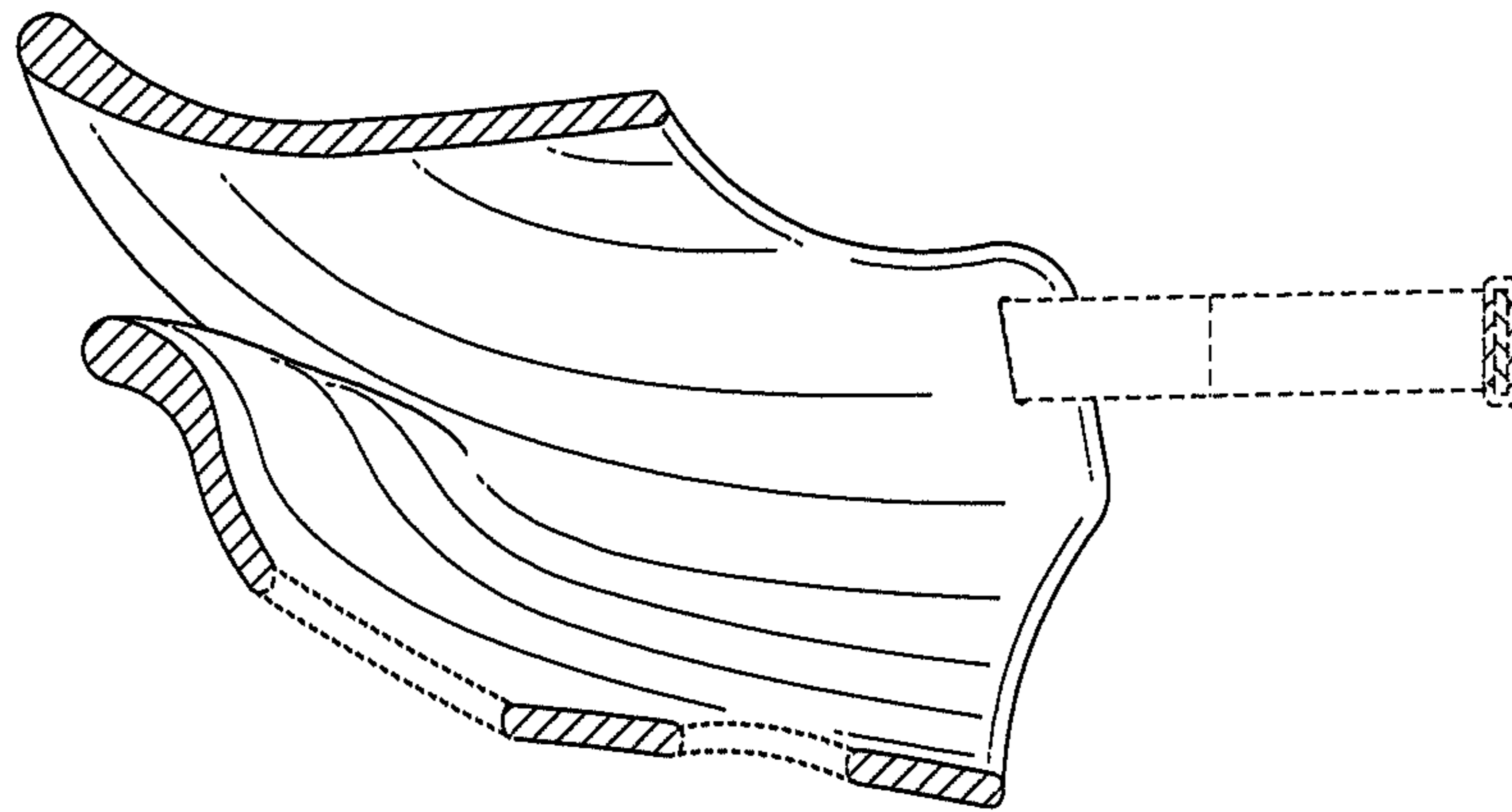


Fig. 8

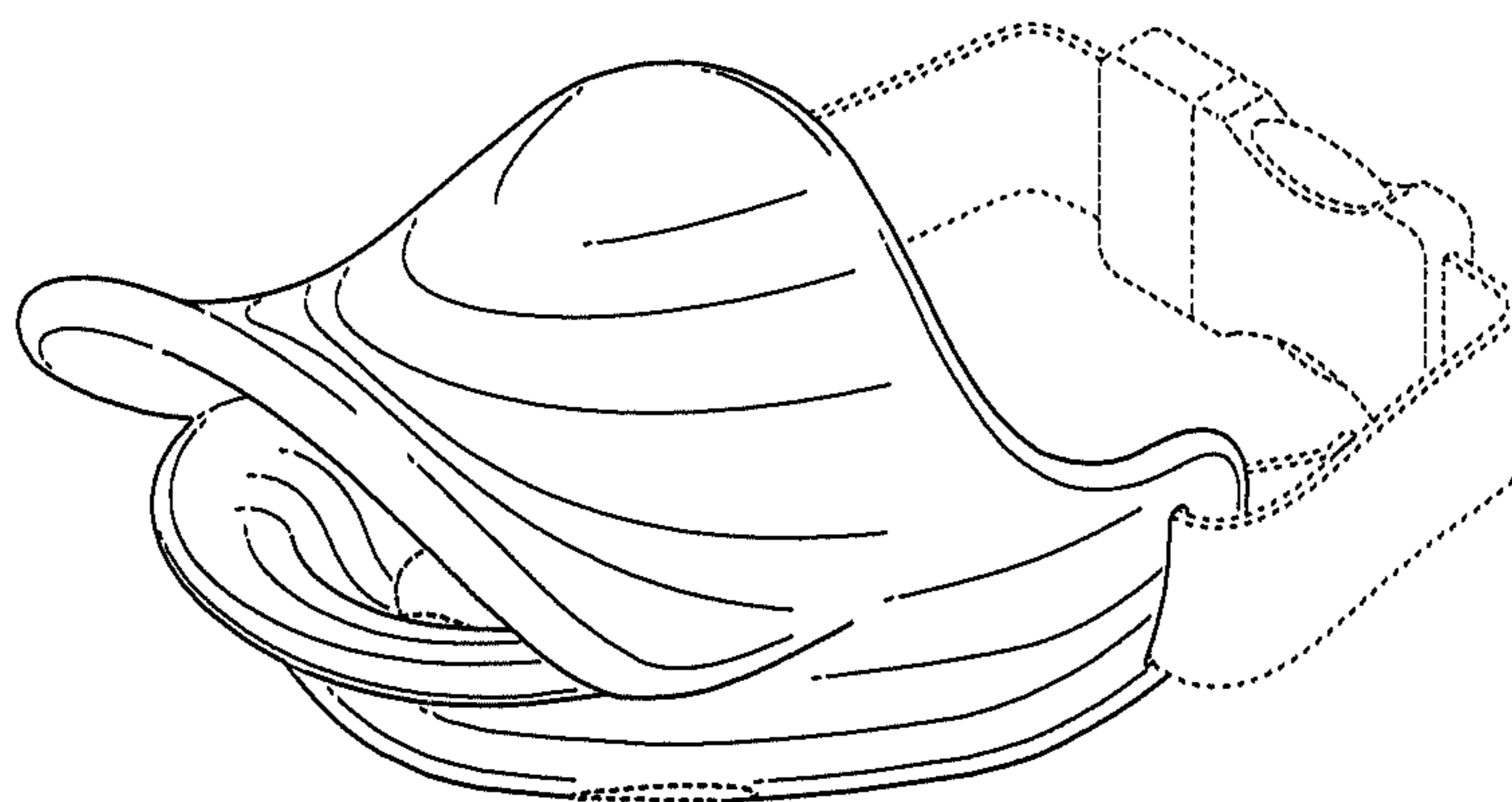


Fig. 9

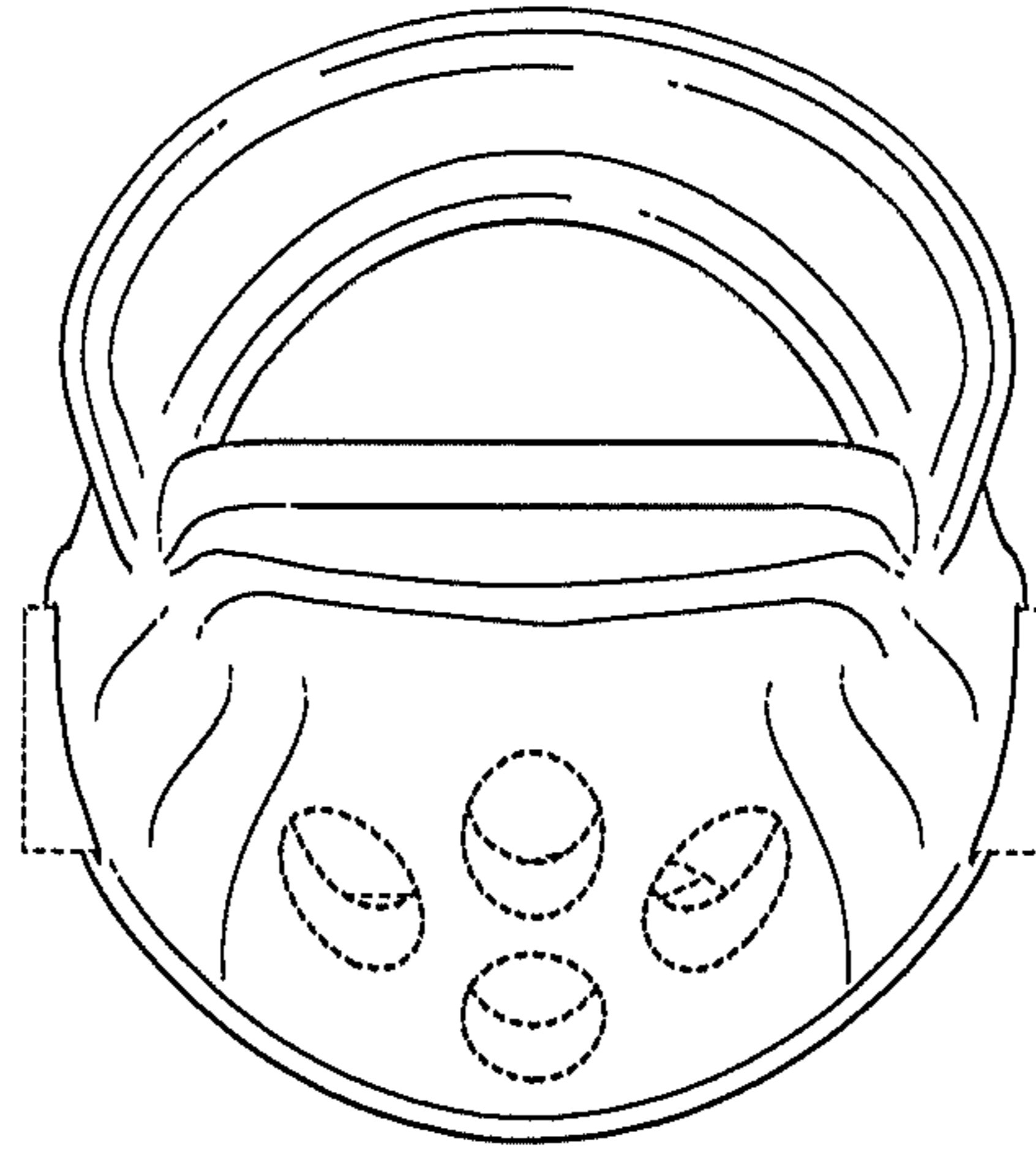


Fig. 10

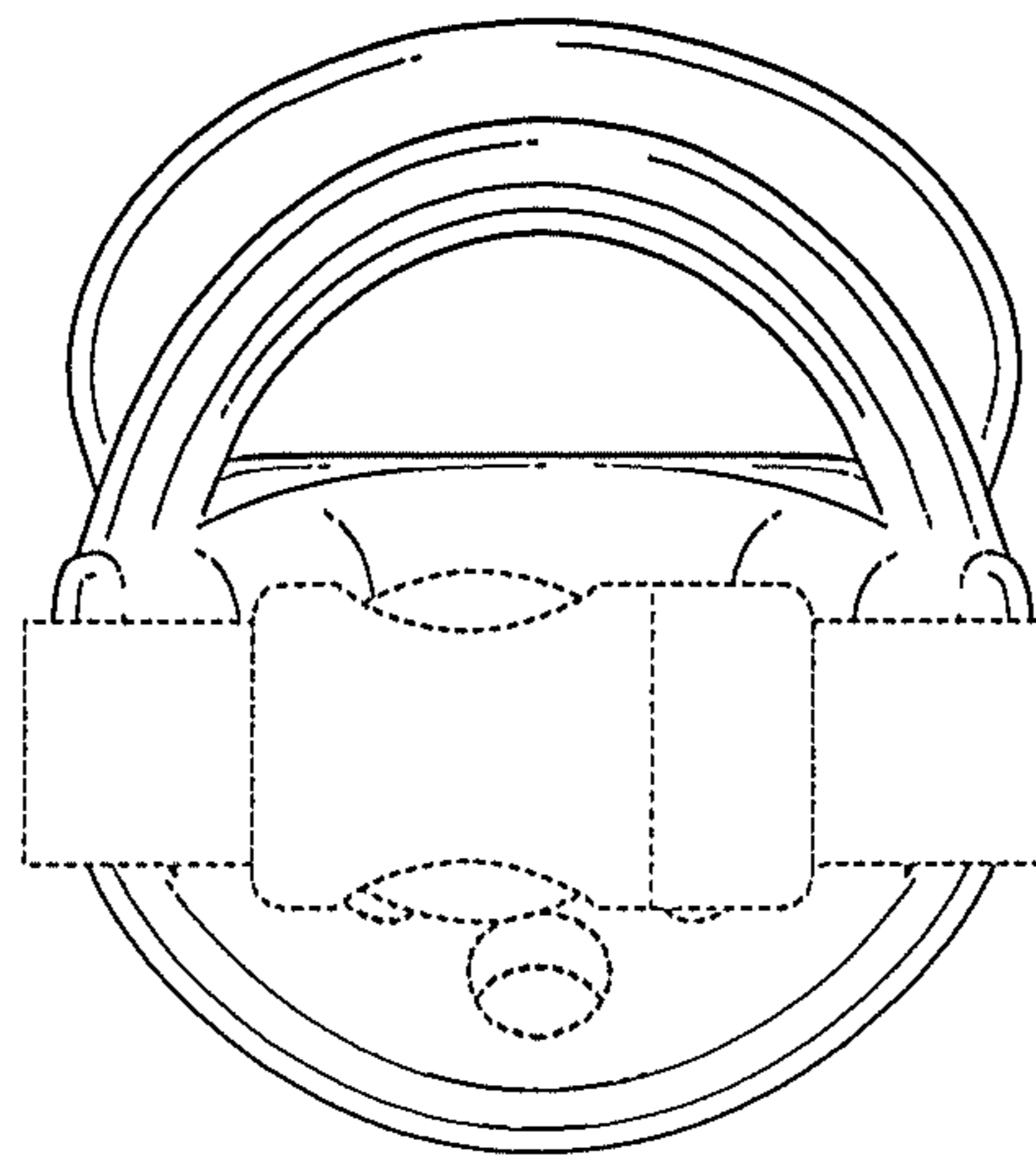


Fig. 11

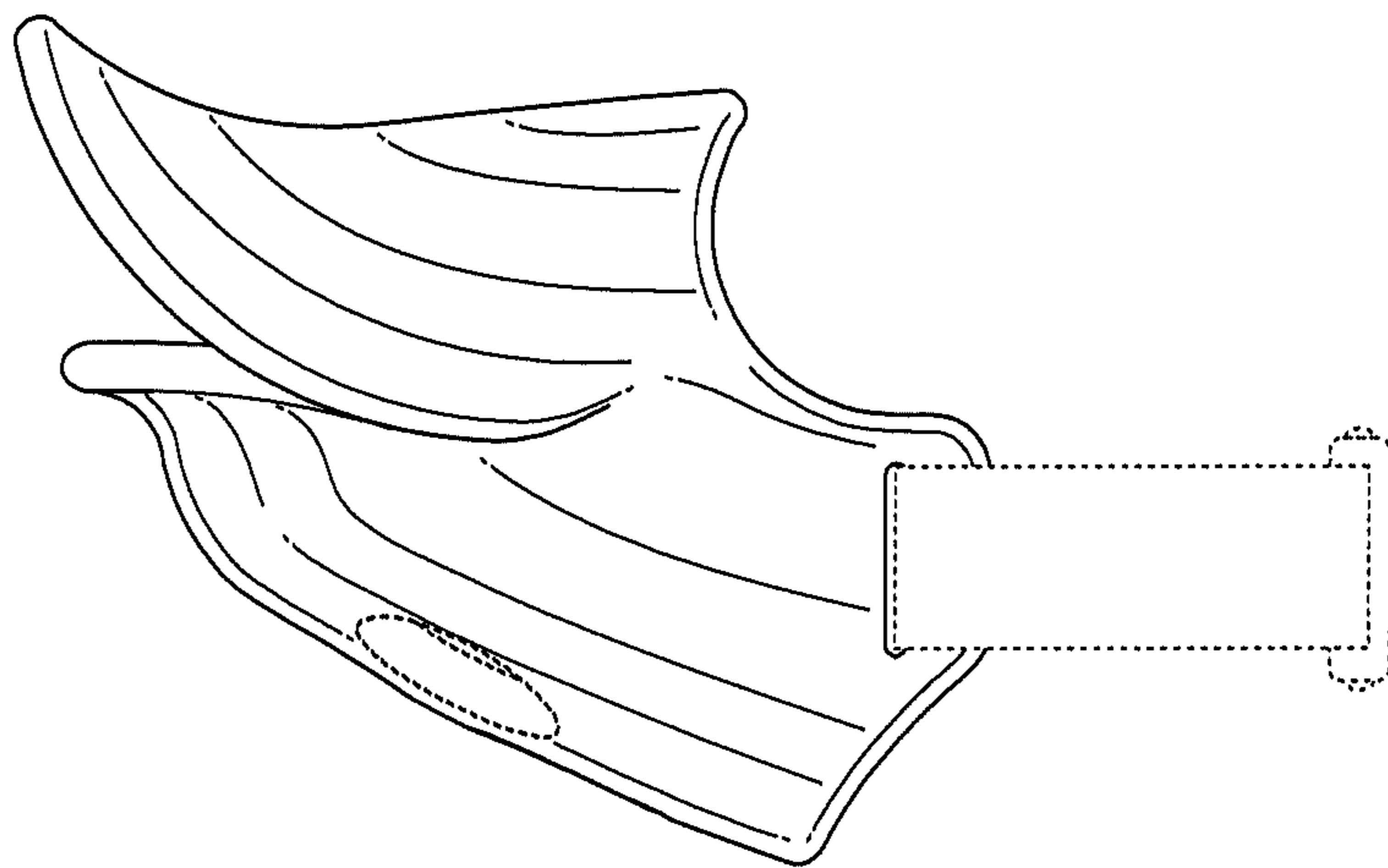


Fig. 12

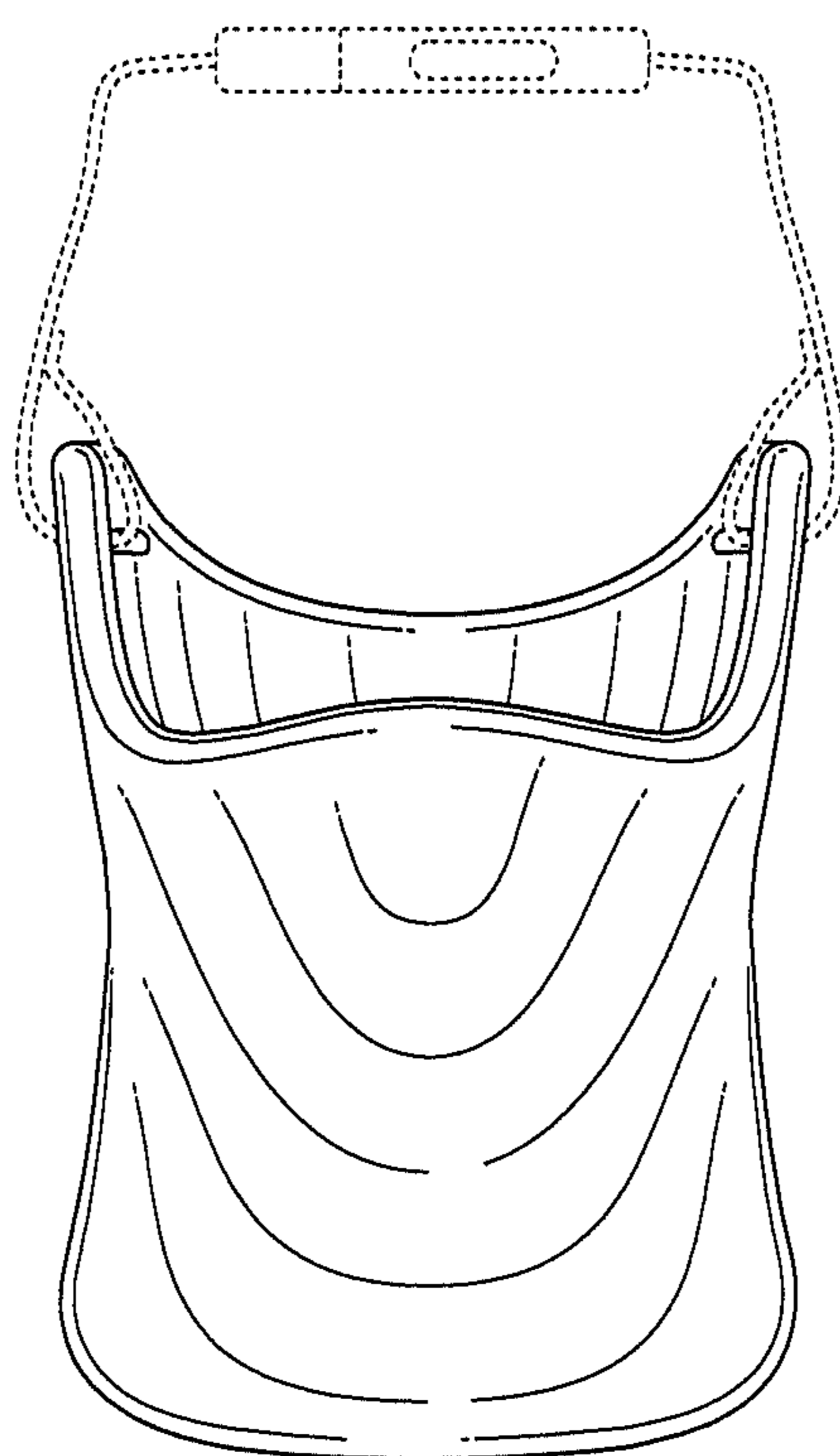


Fig. 13

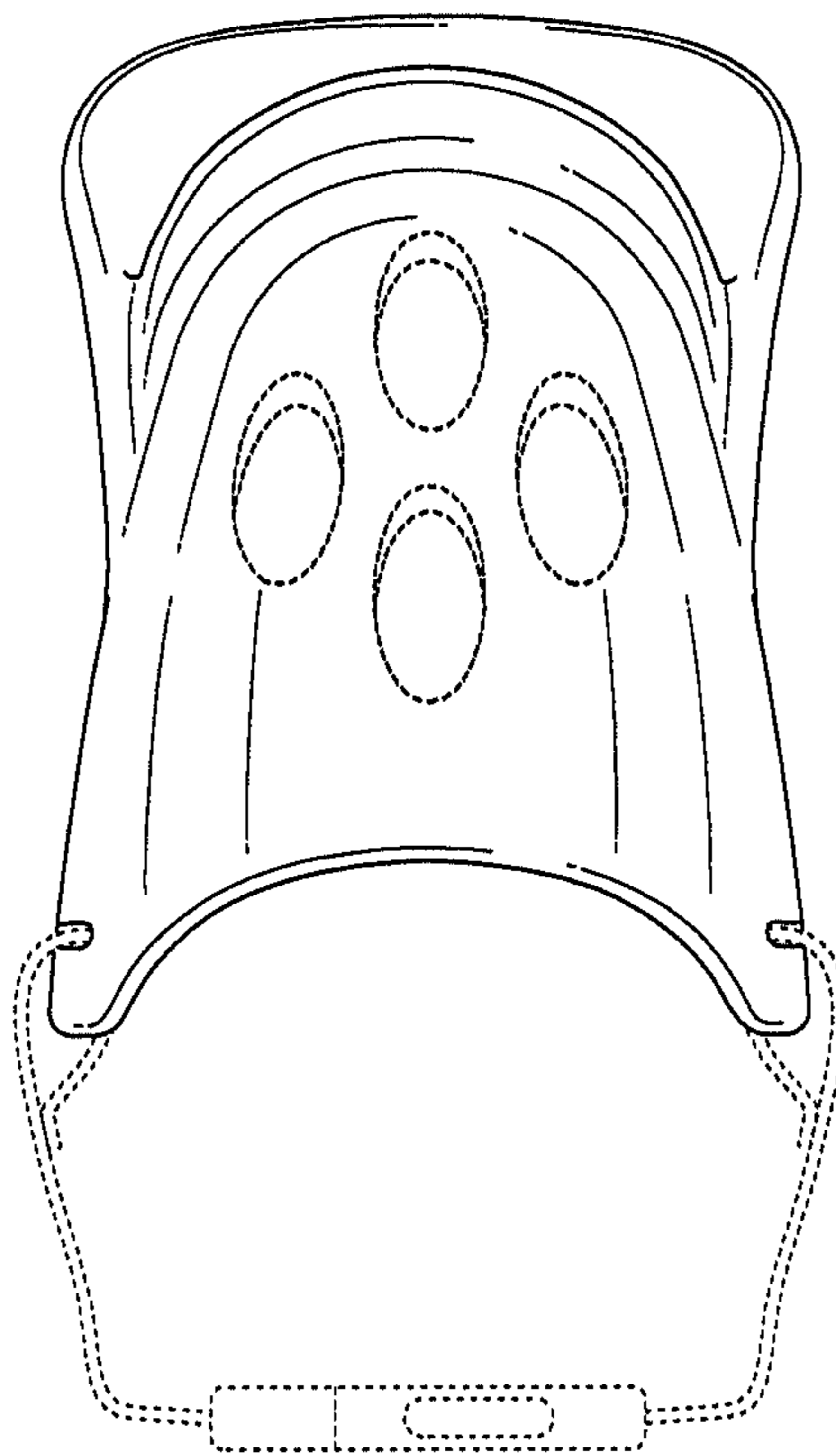


Fig. 14

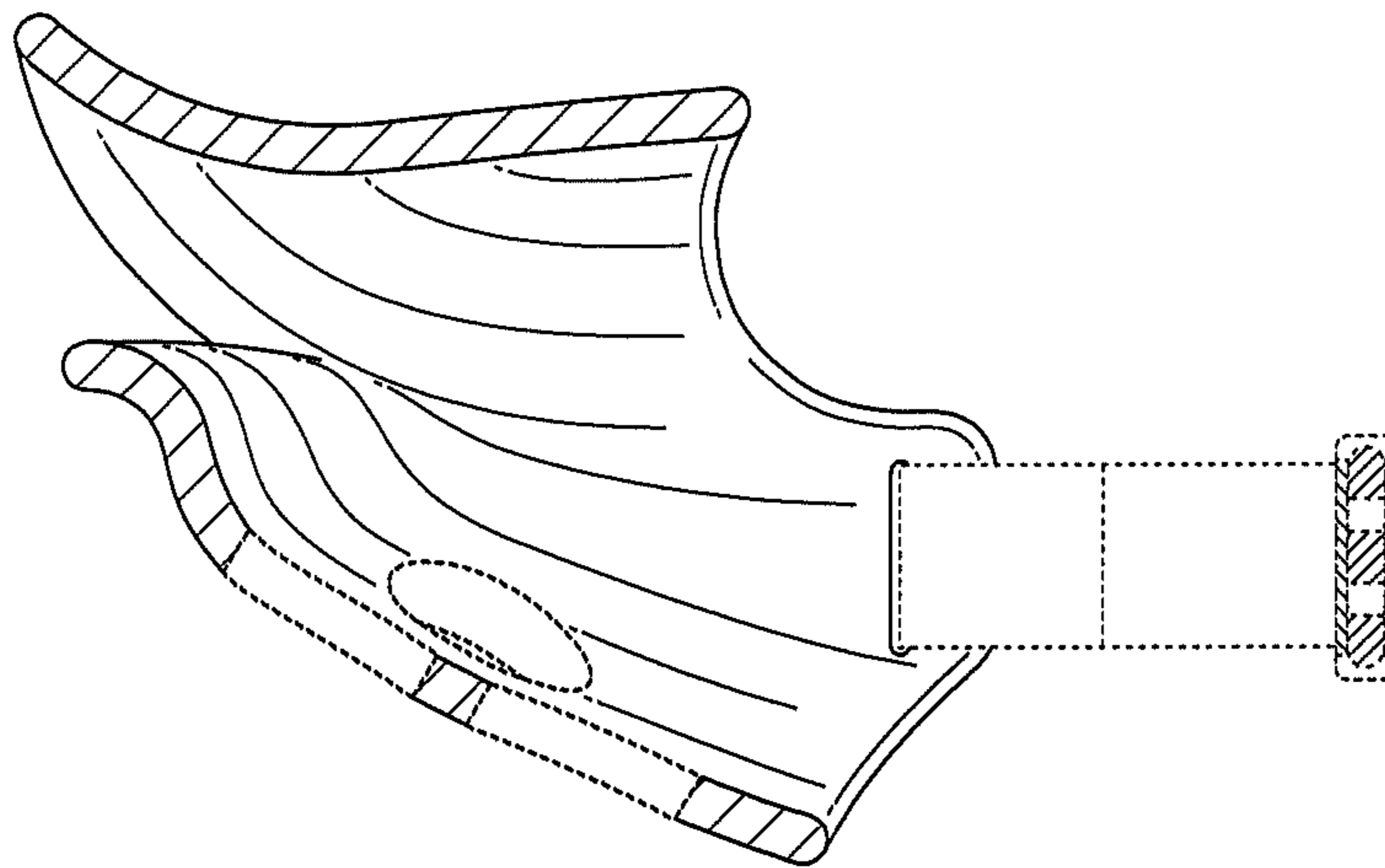


Fig. 15

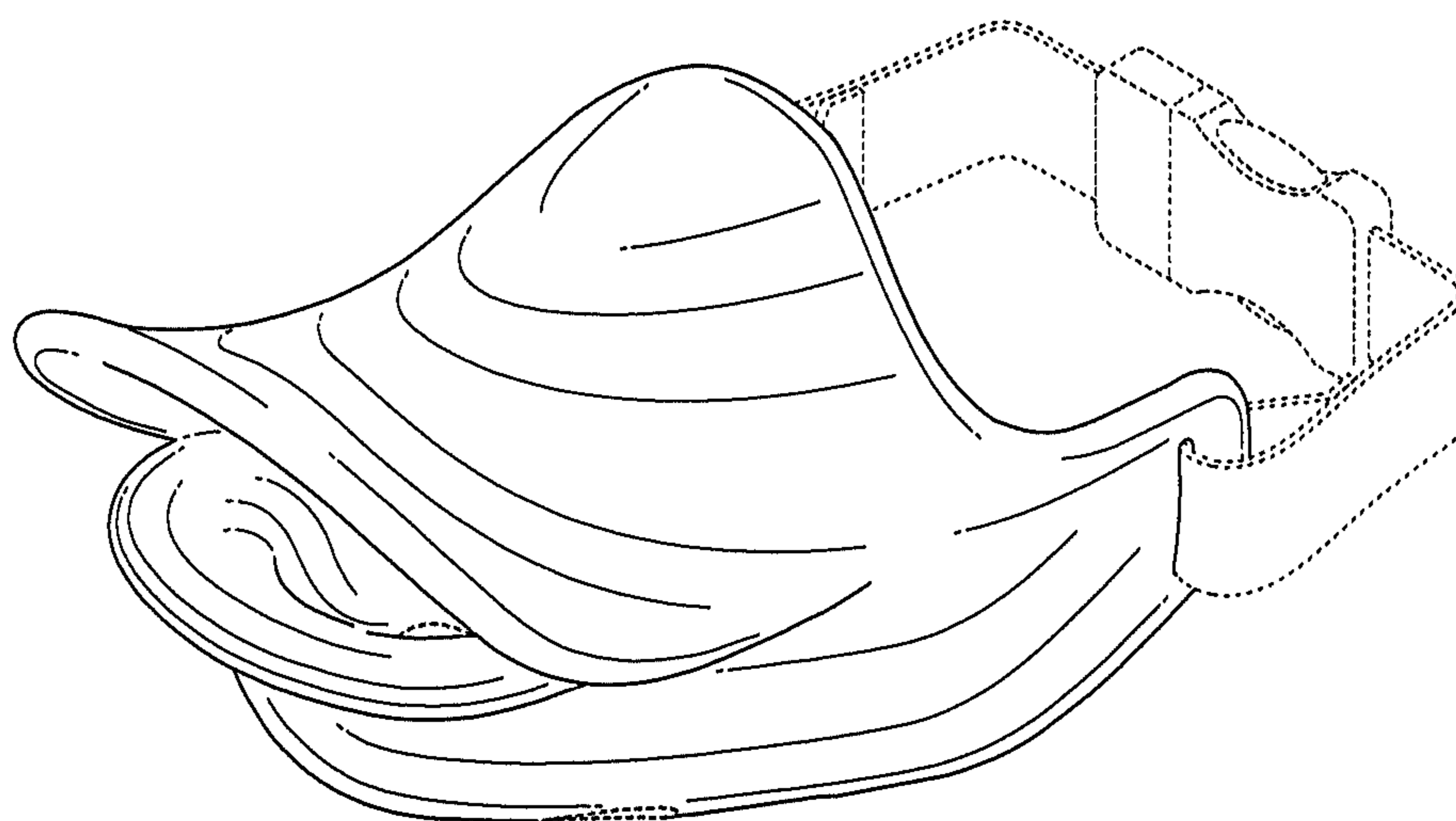


Fig. 16

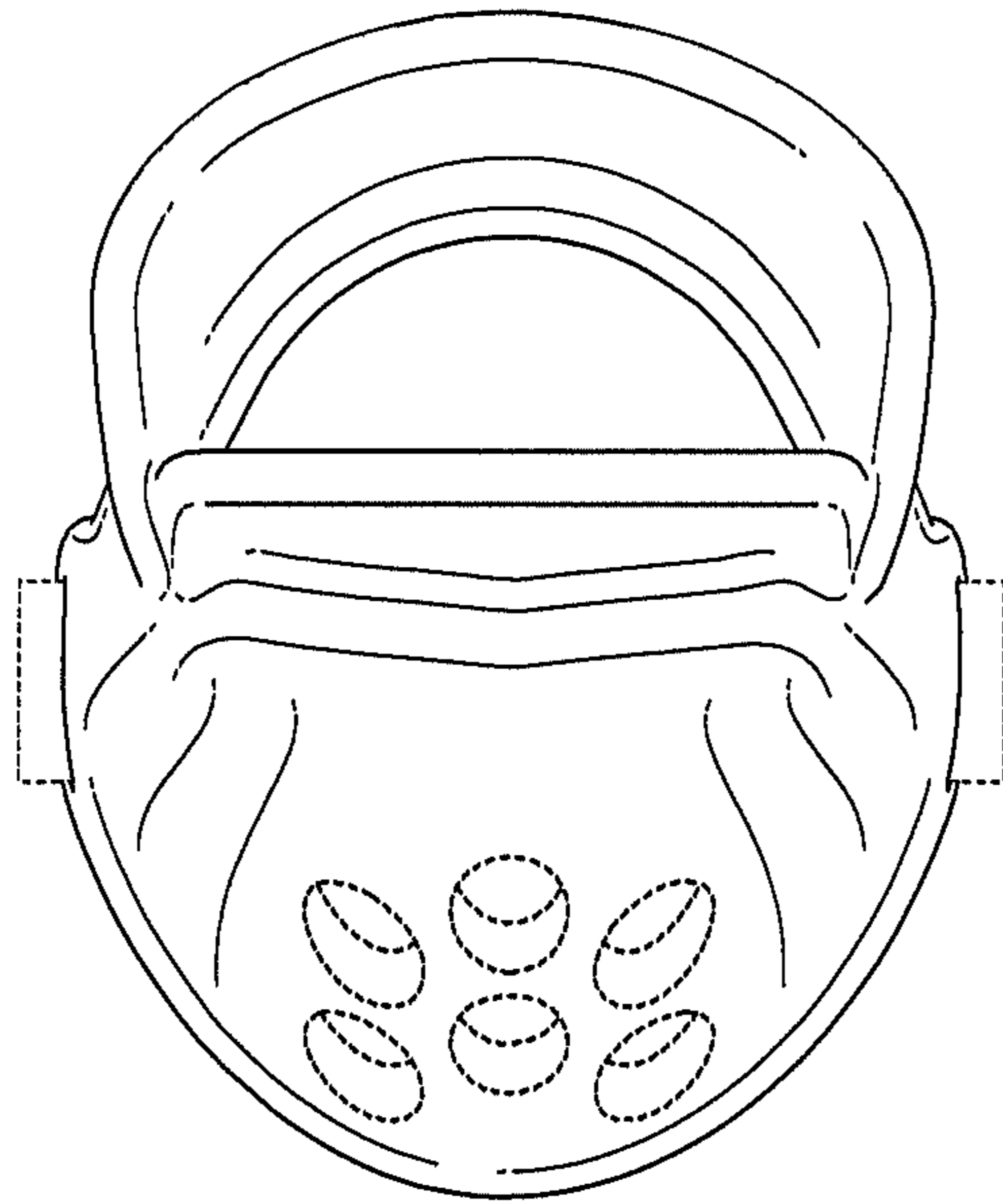


Fig. 17

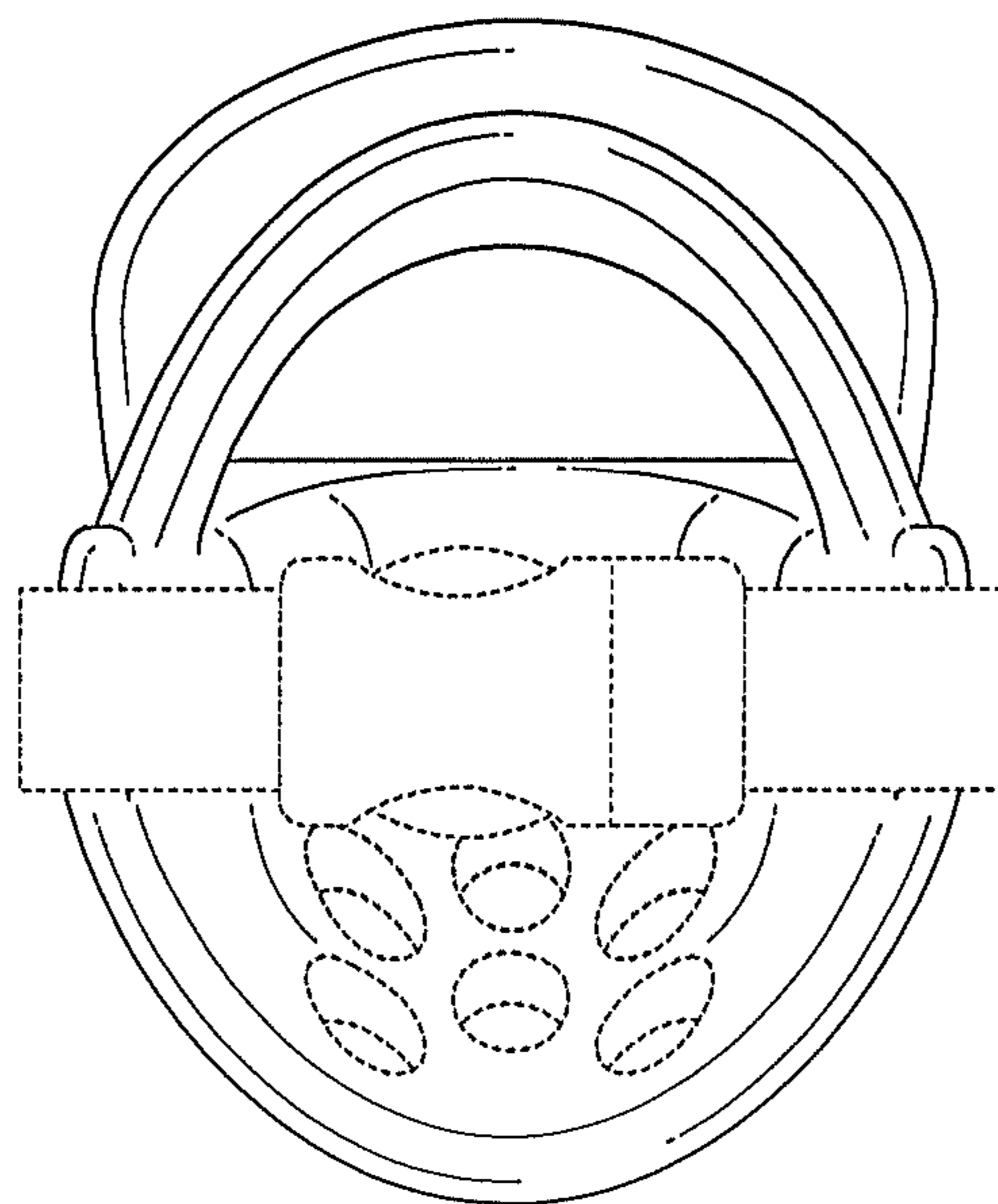


Fig. 18

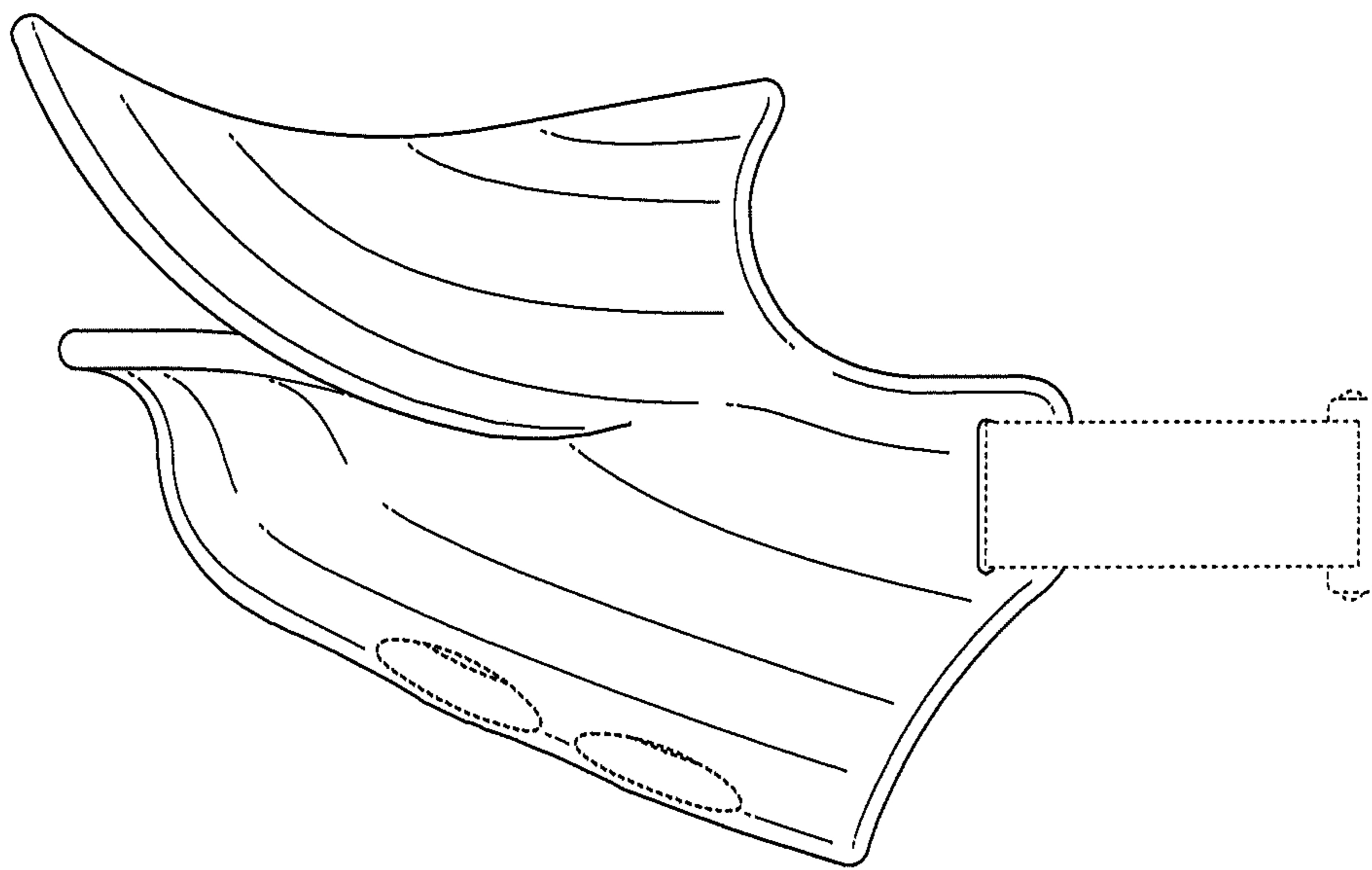


Fig. 19

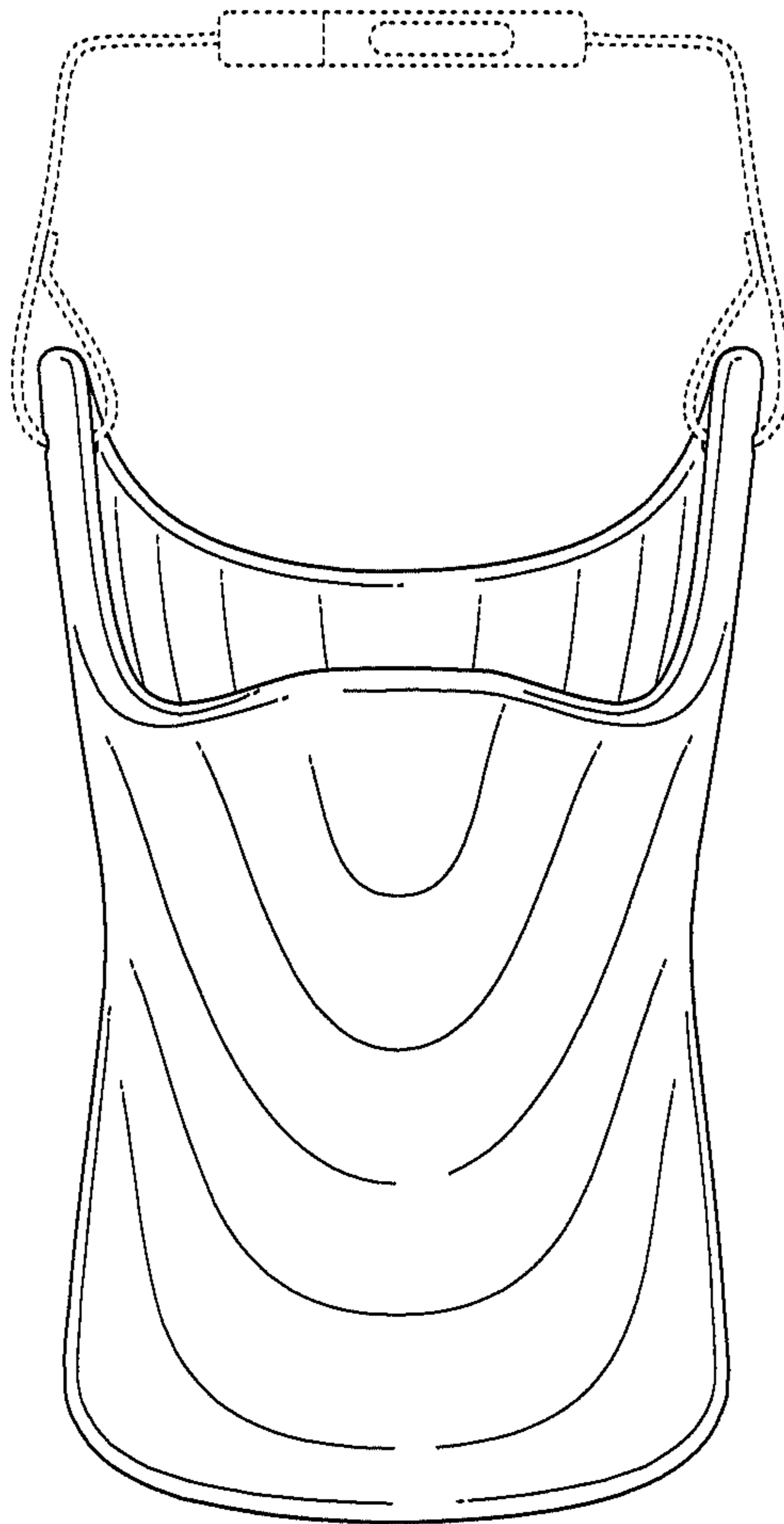


Fig. 20

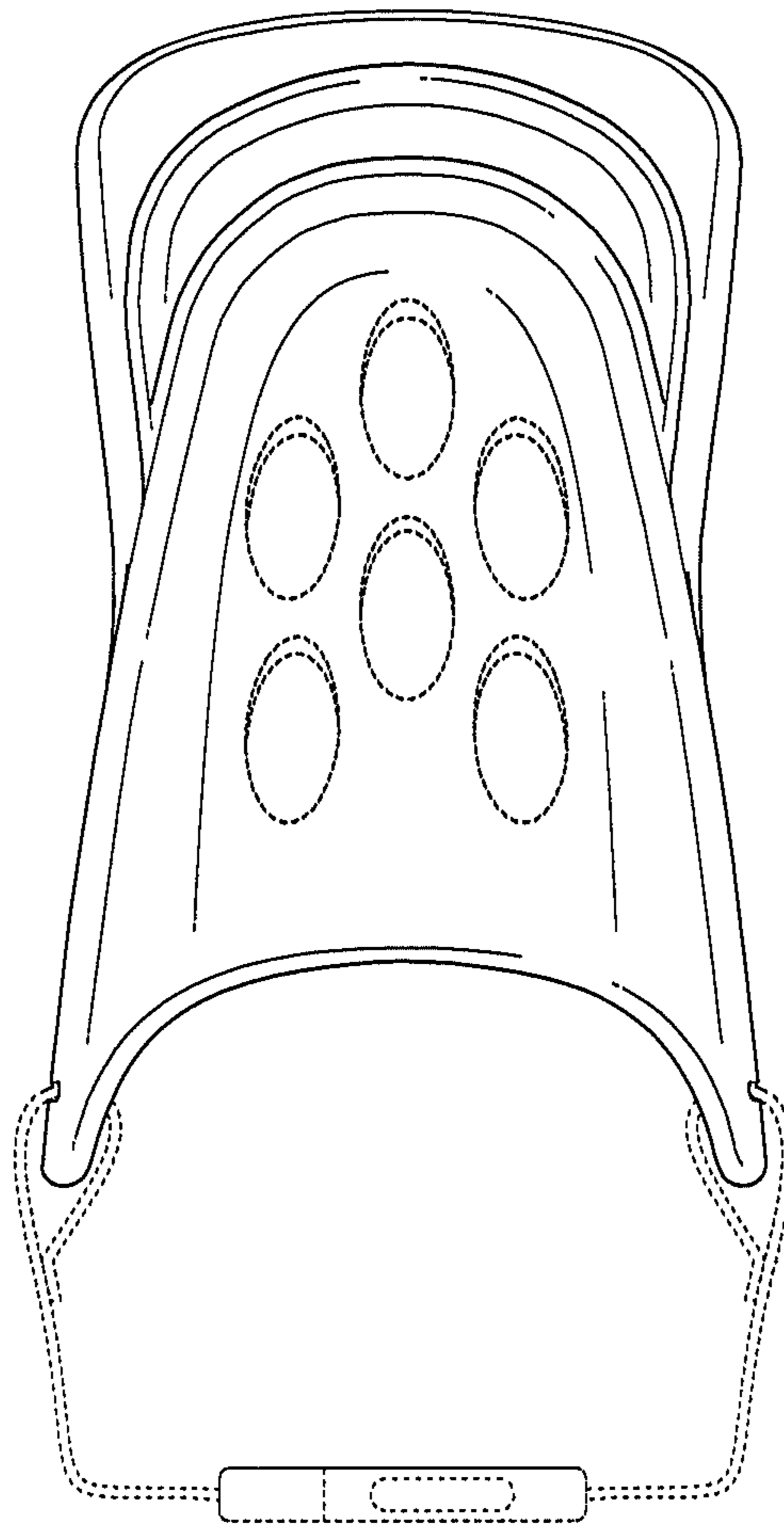


Fig. 21

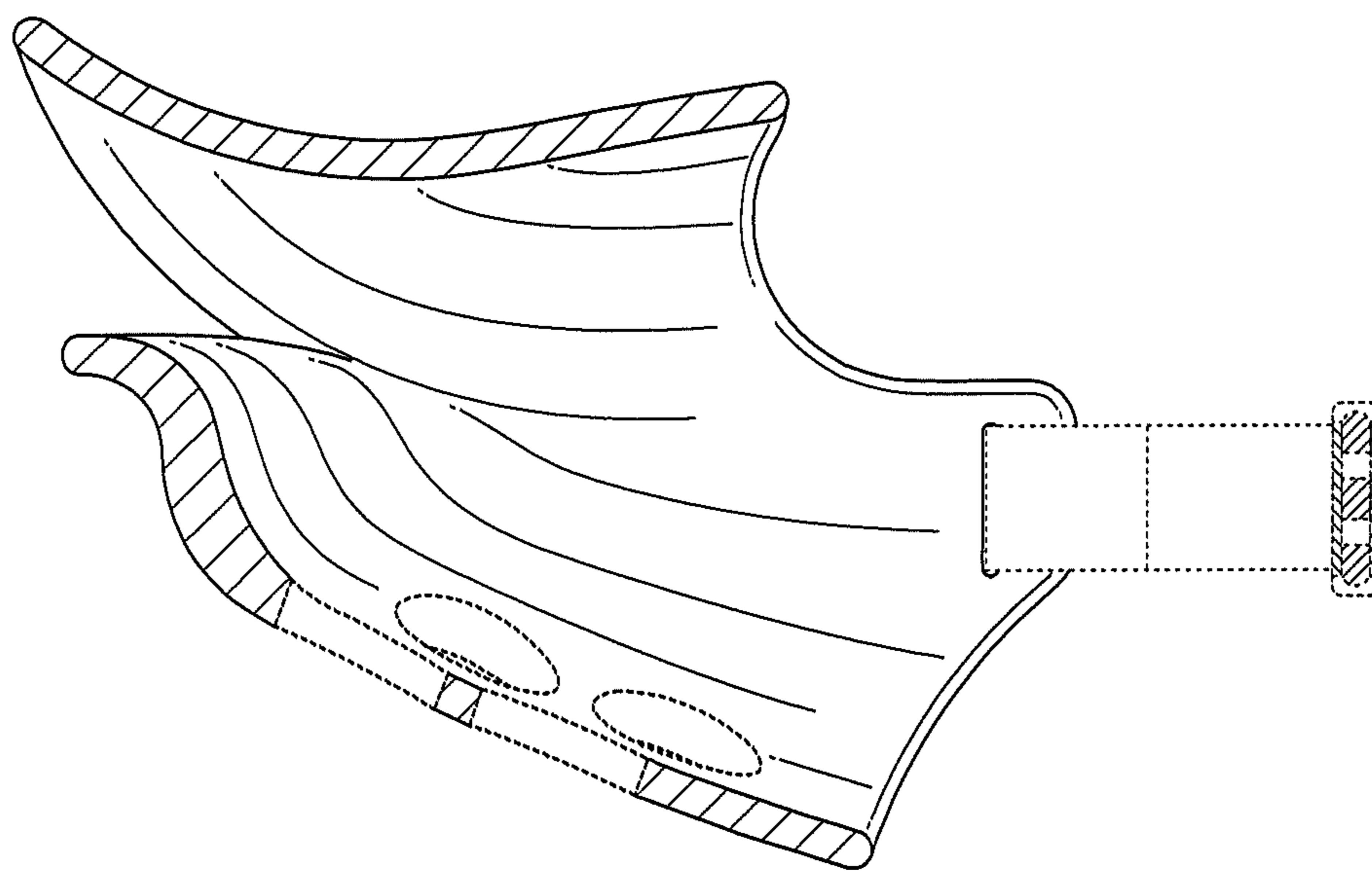


Fig. 22

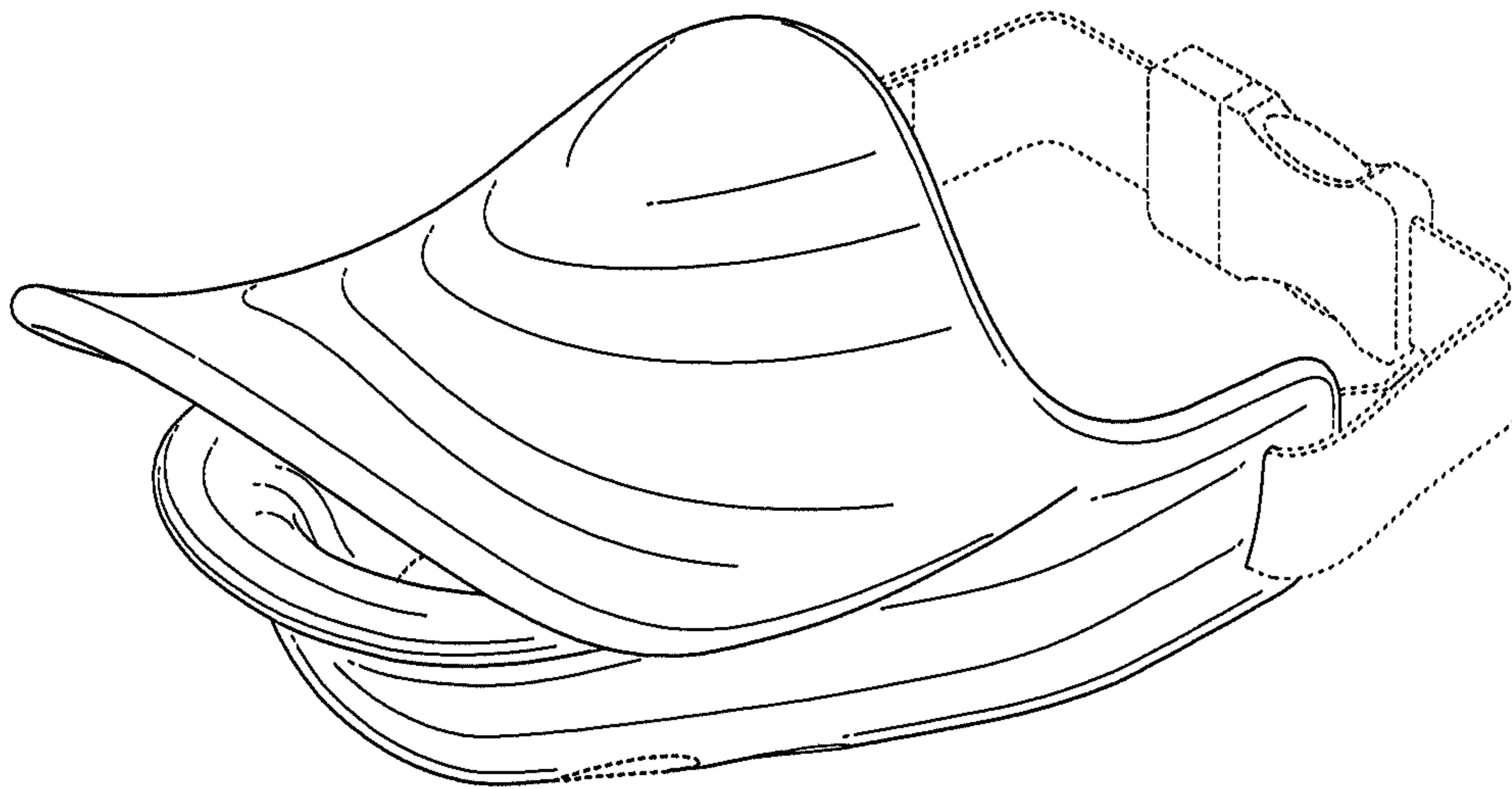


Fig. 23

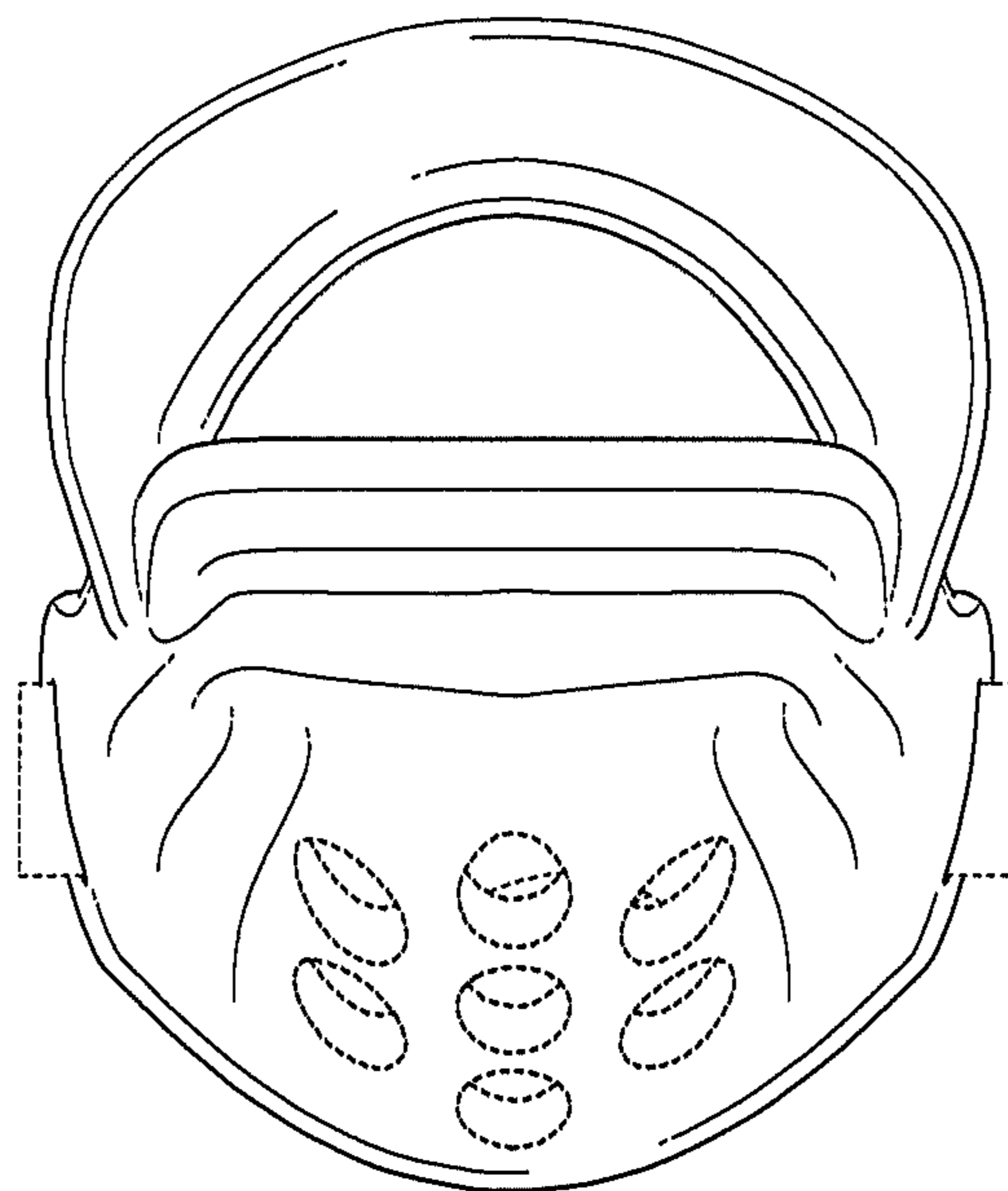


Fig. 24

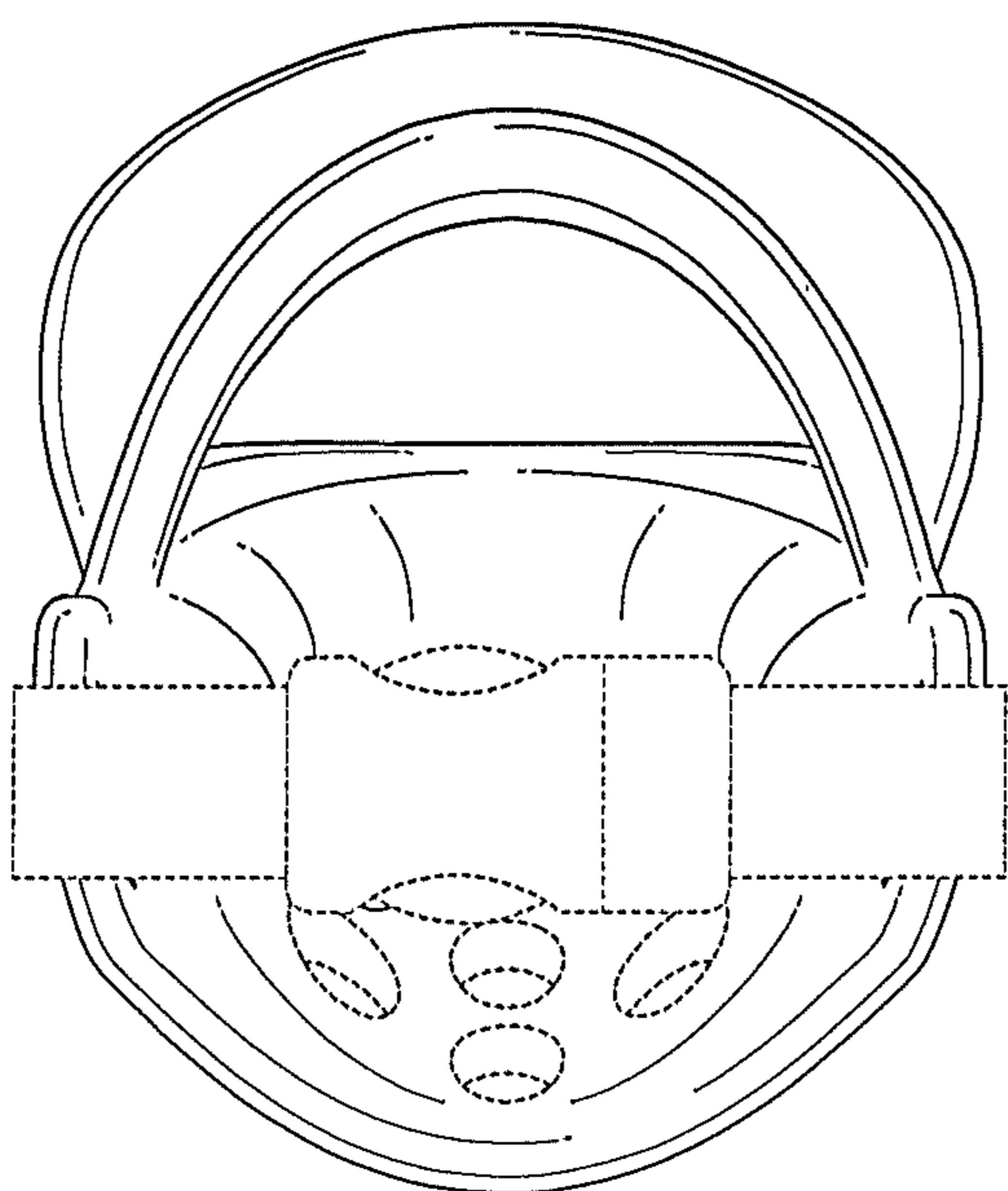


Fig. 25

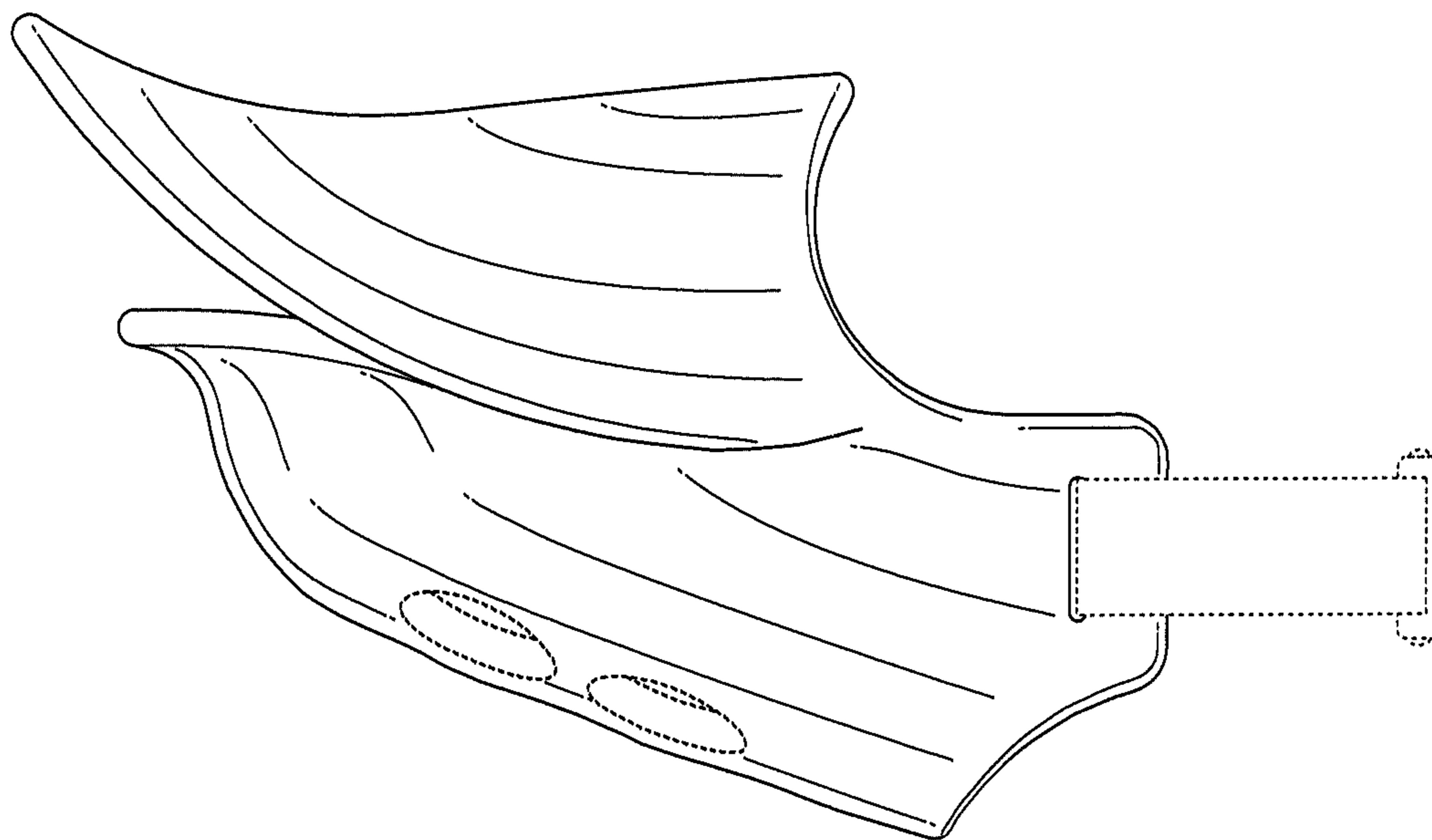


Fig. 26

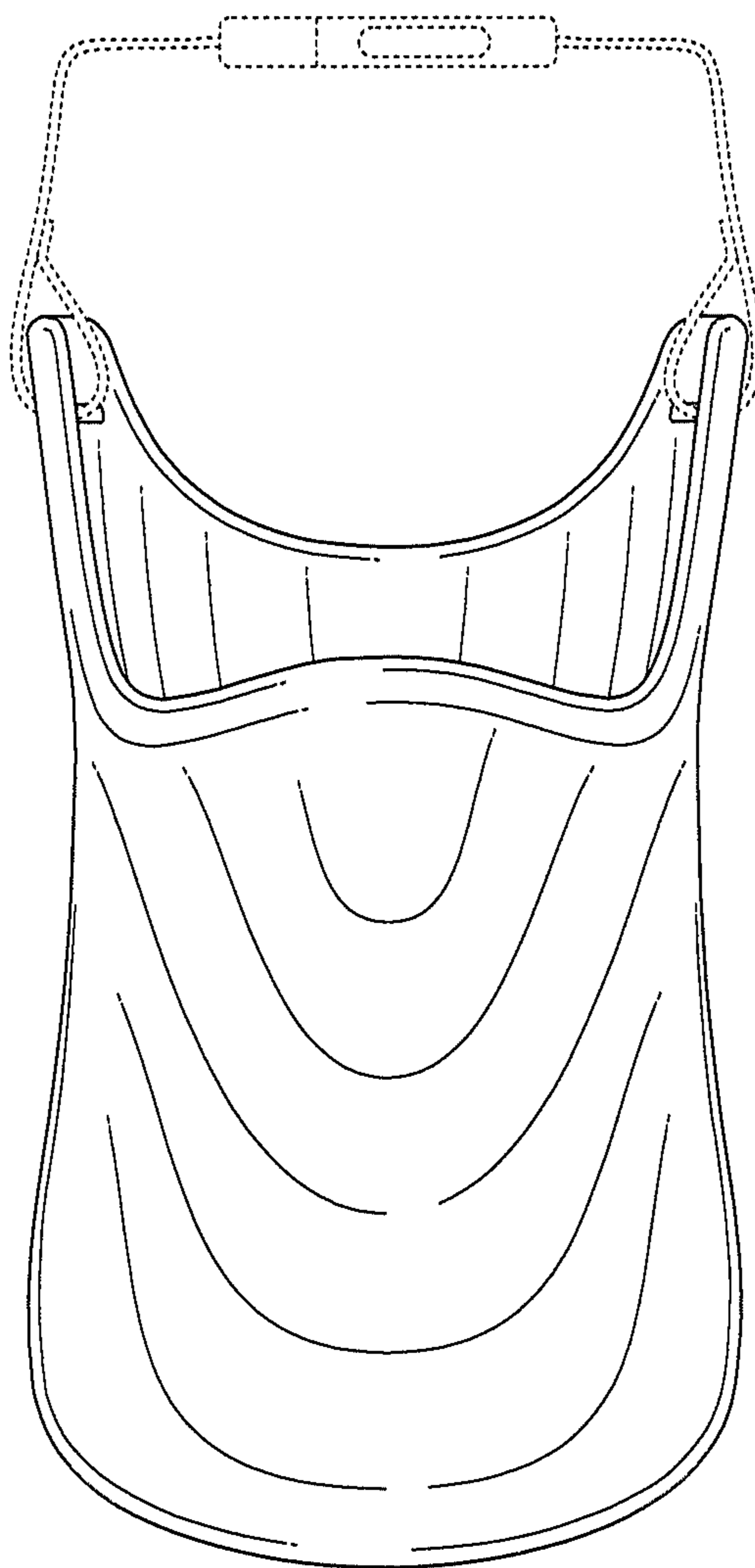


Fig. 27

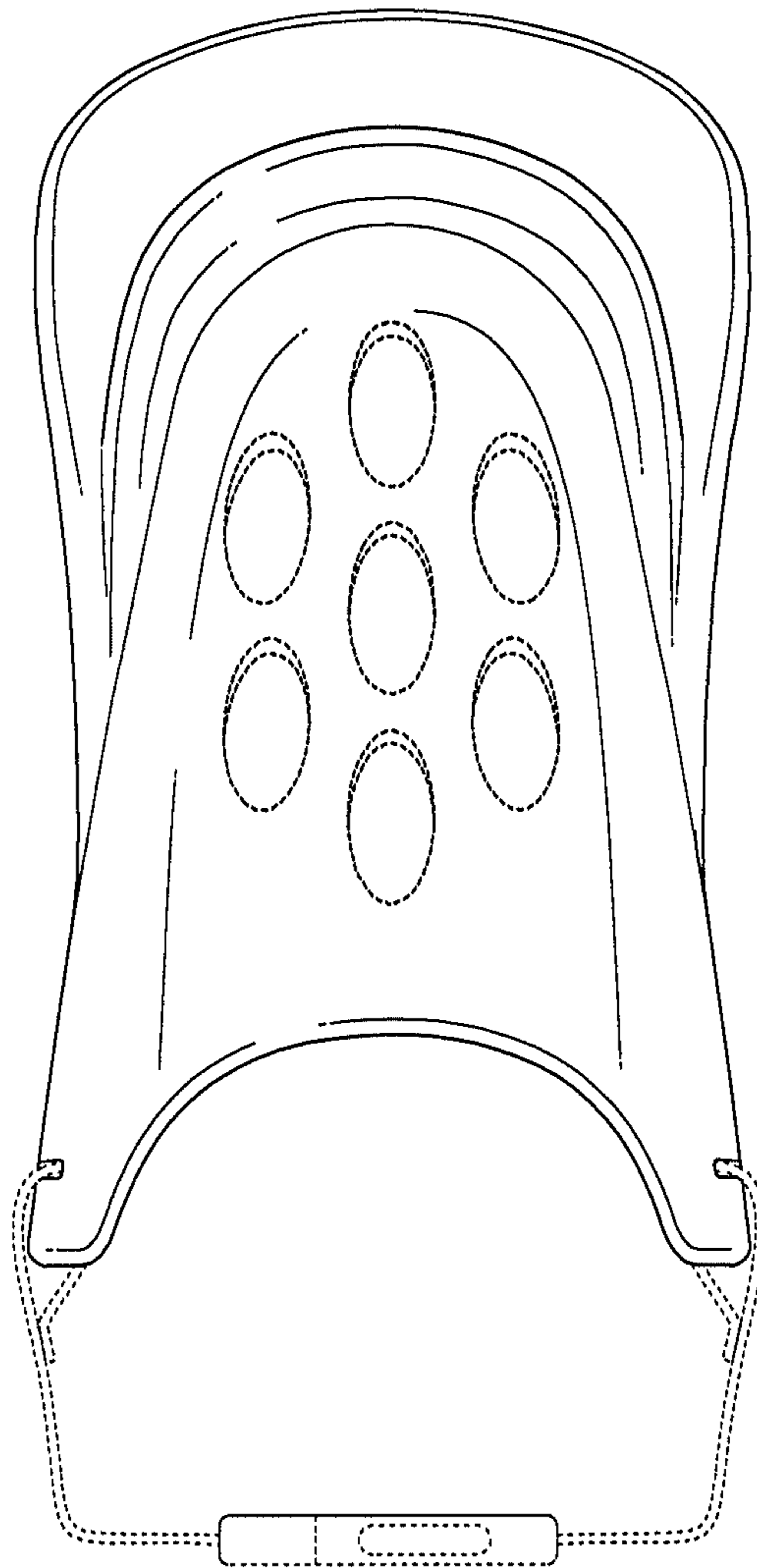


Fig. 28

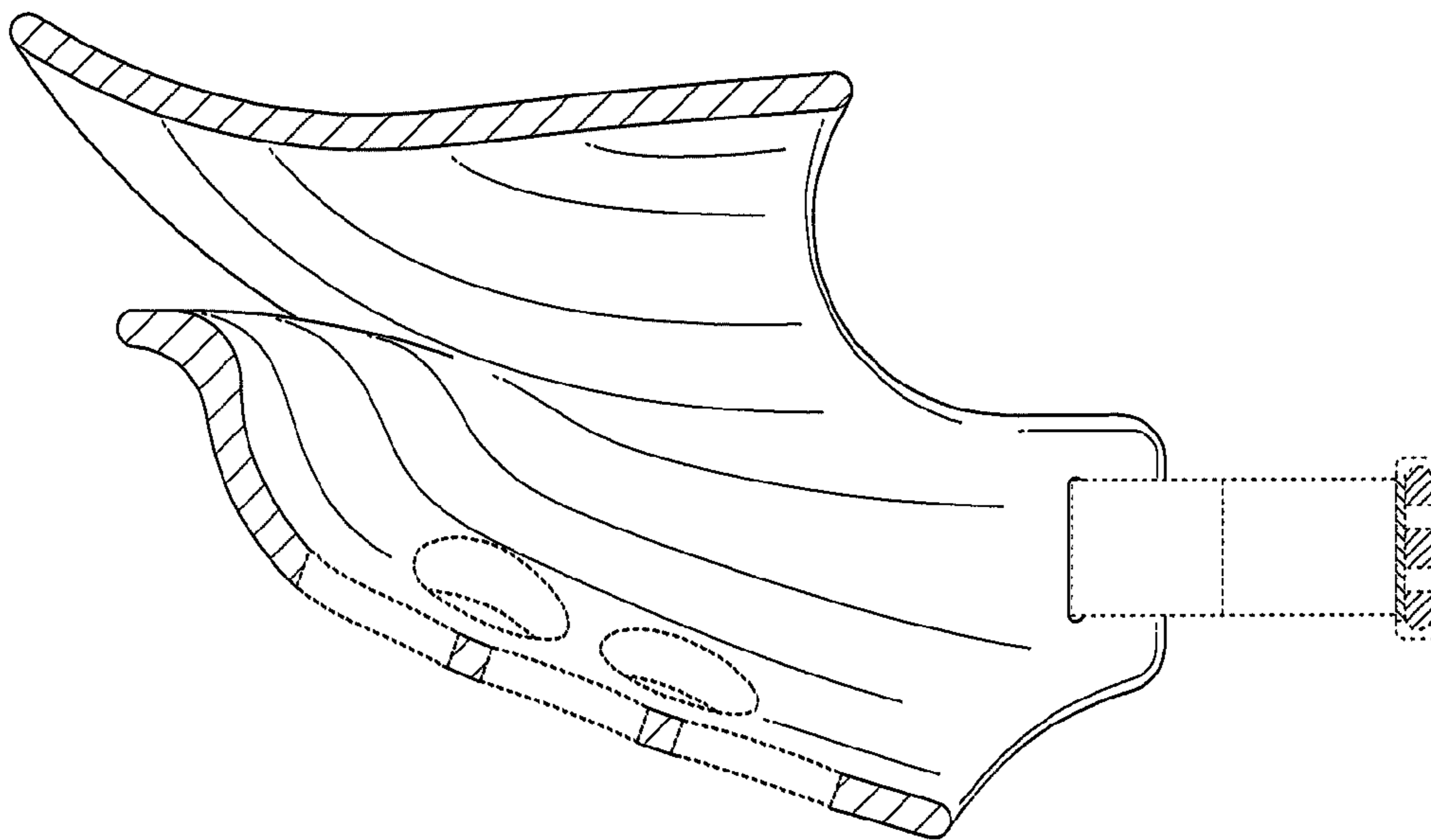


Fig. 29

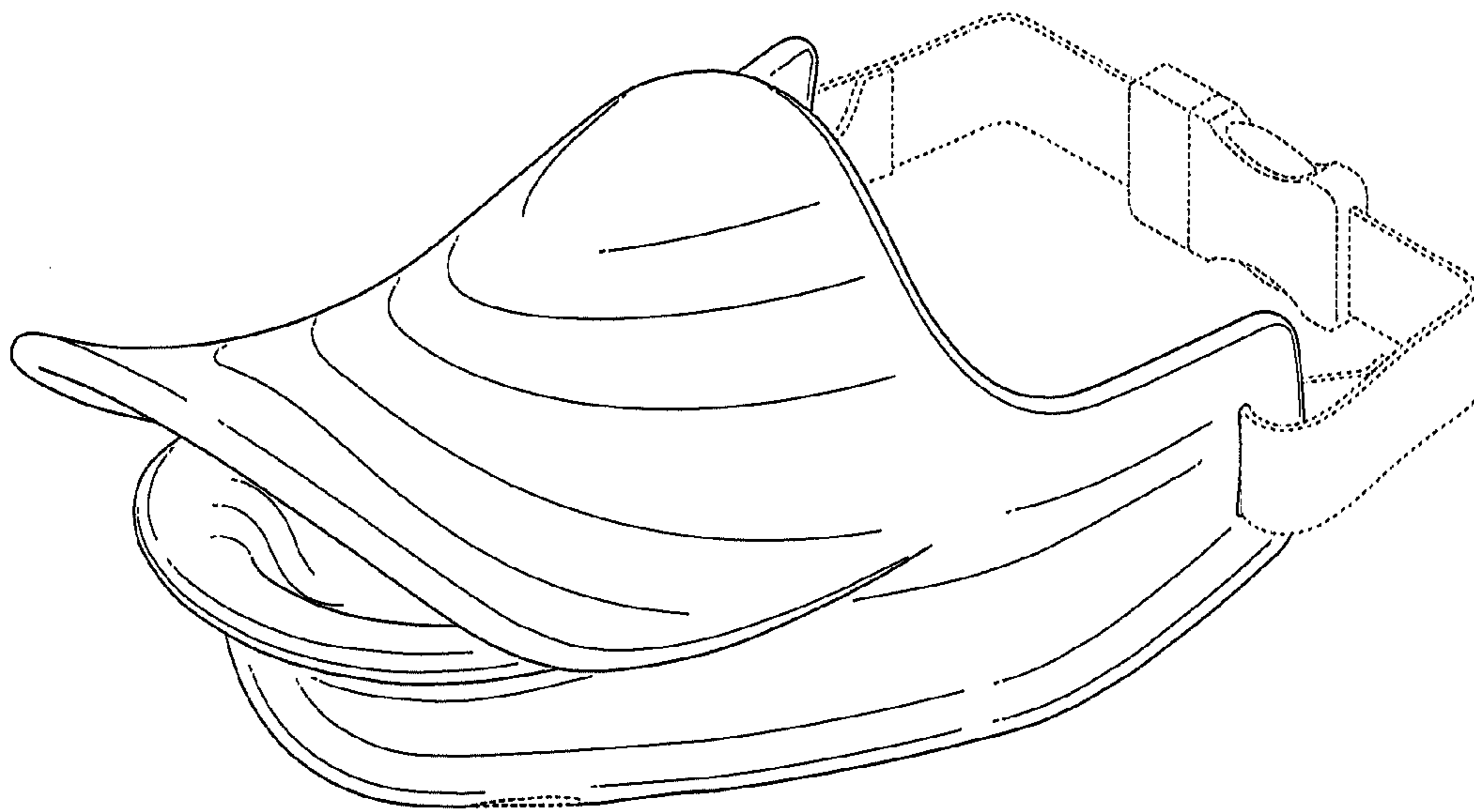


Fig. 30

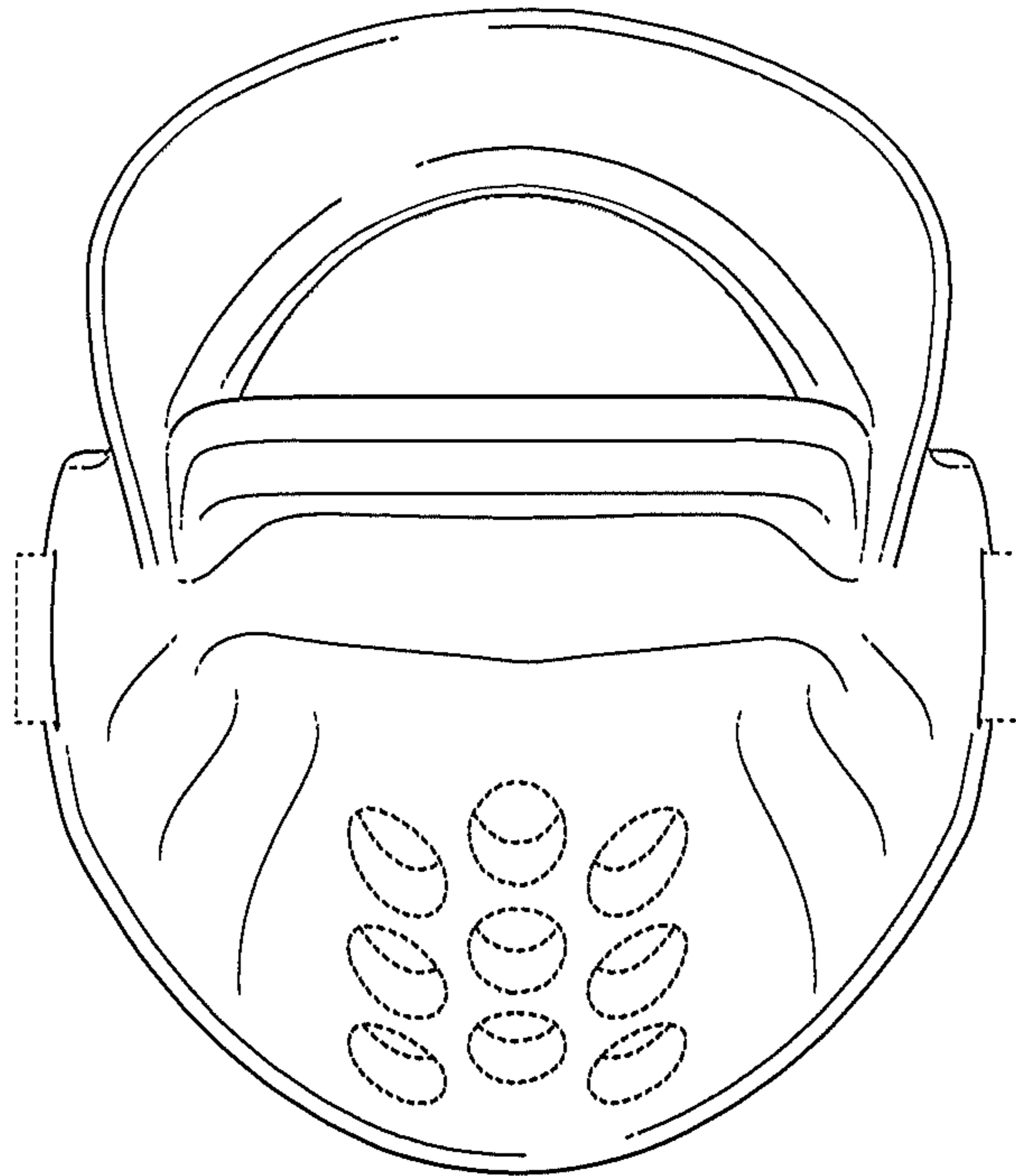


Fig. 31

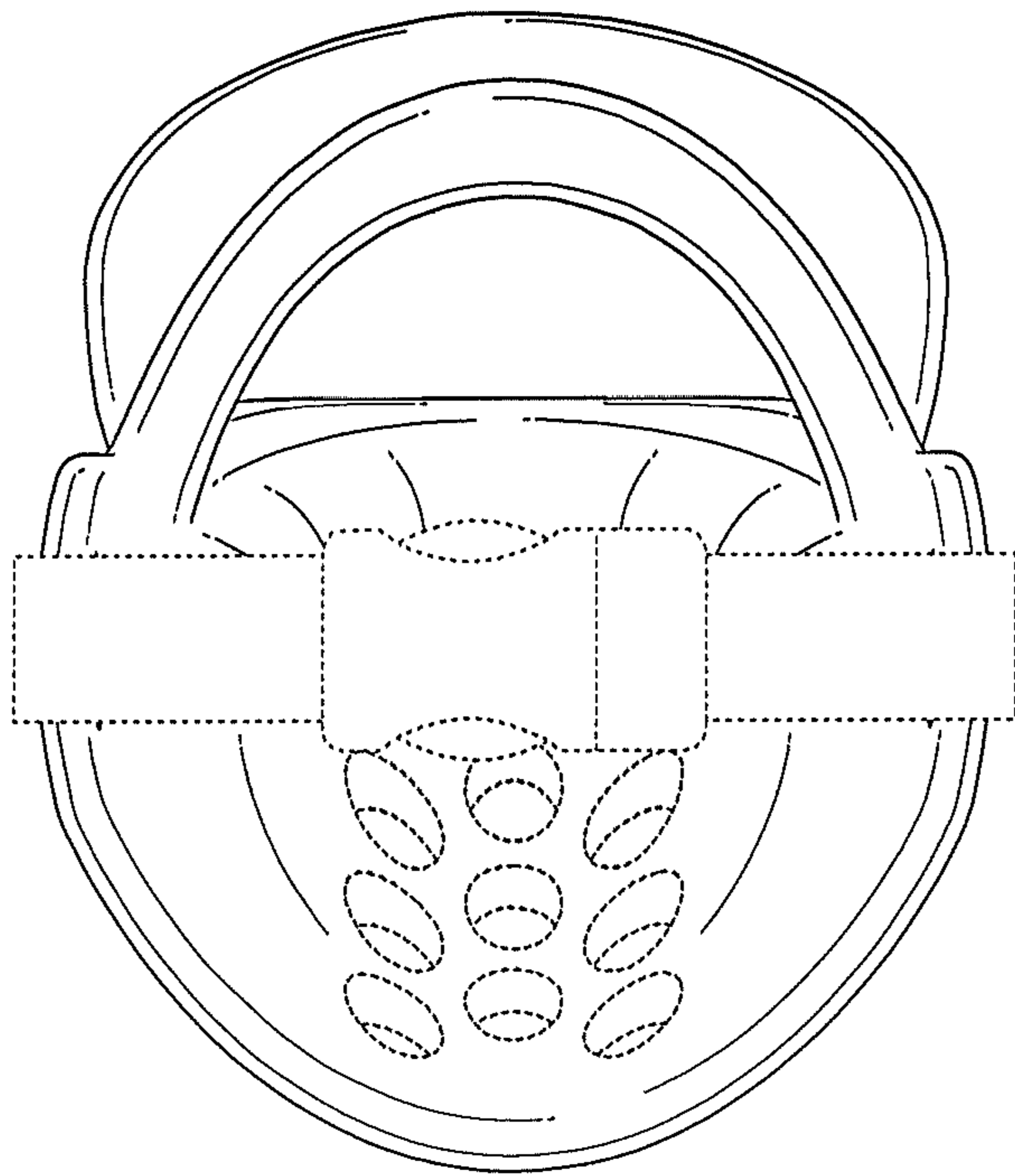


Fig. 32

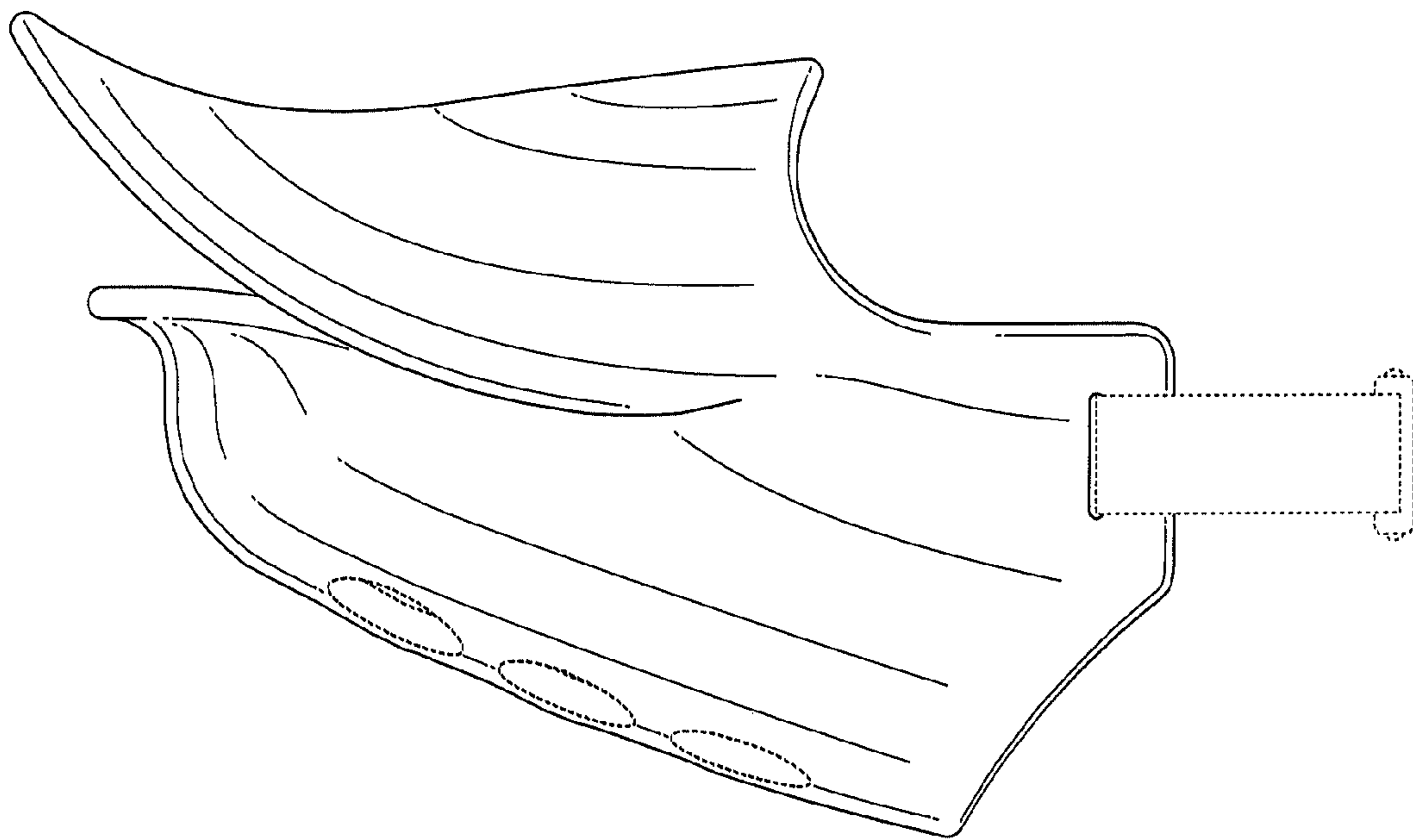


Fig. 33

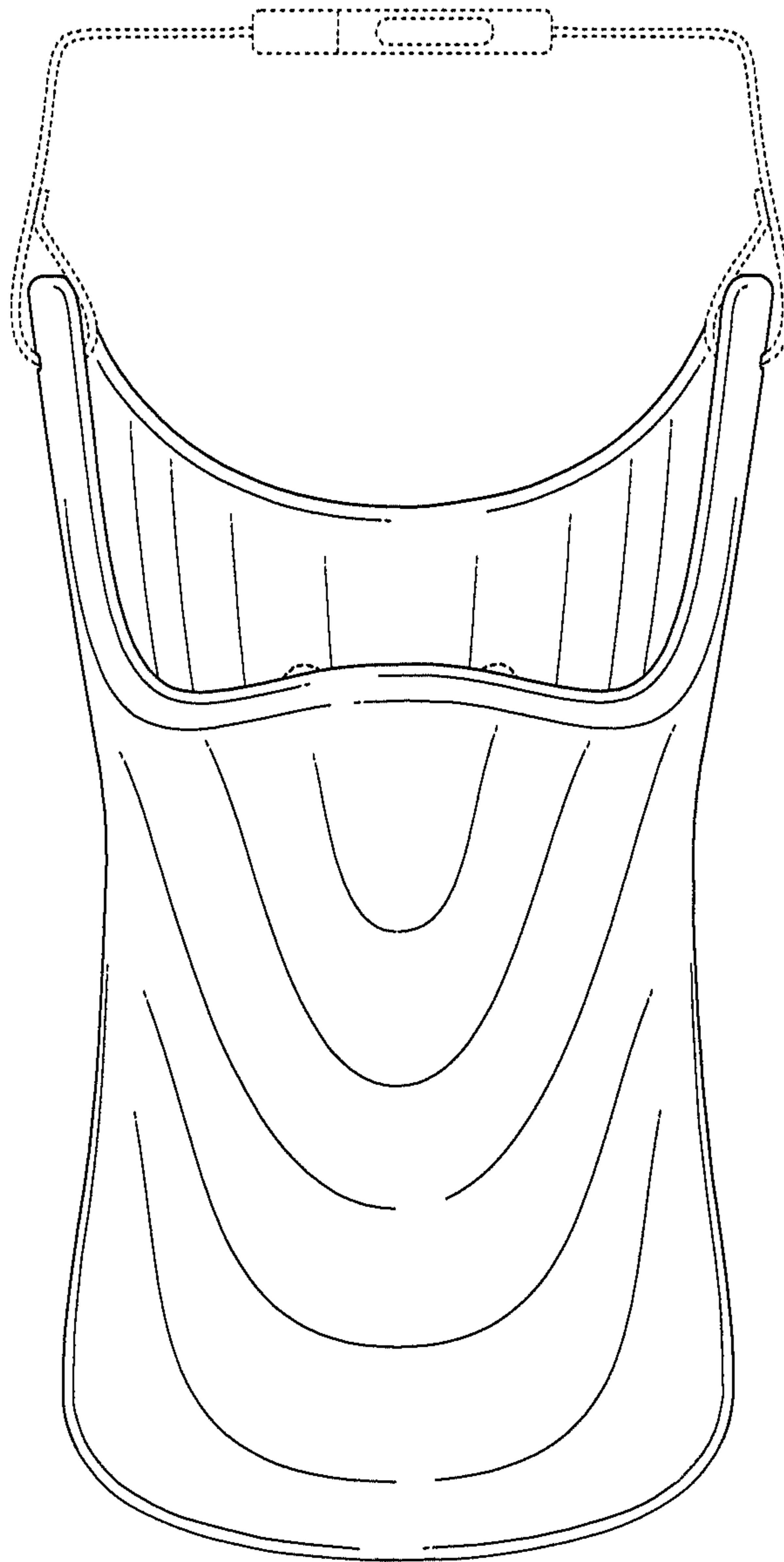


Fig. 34

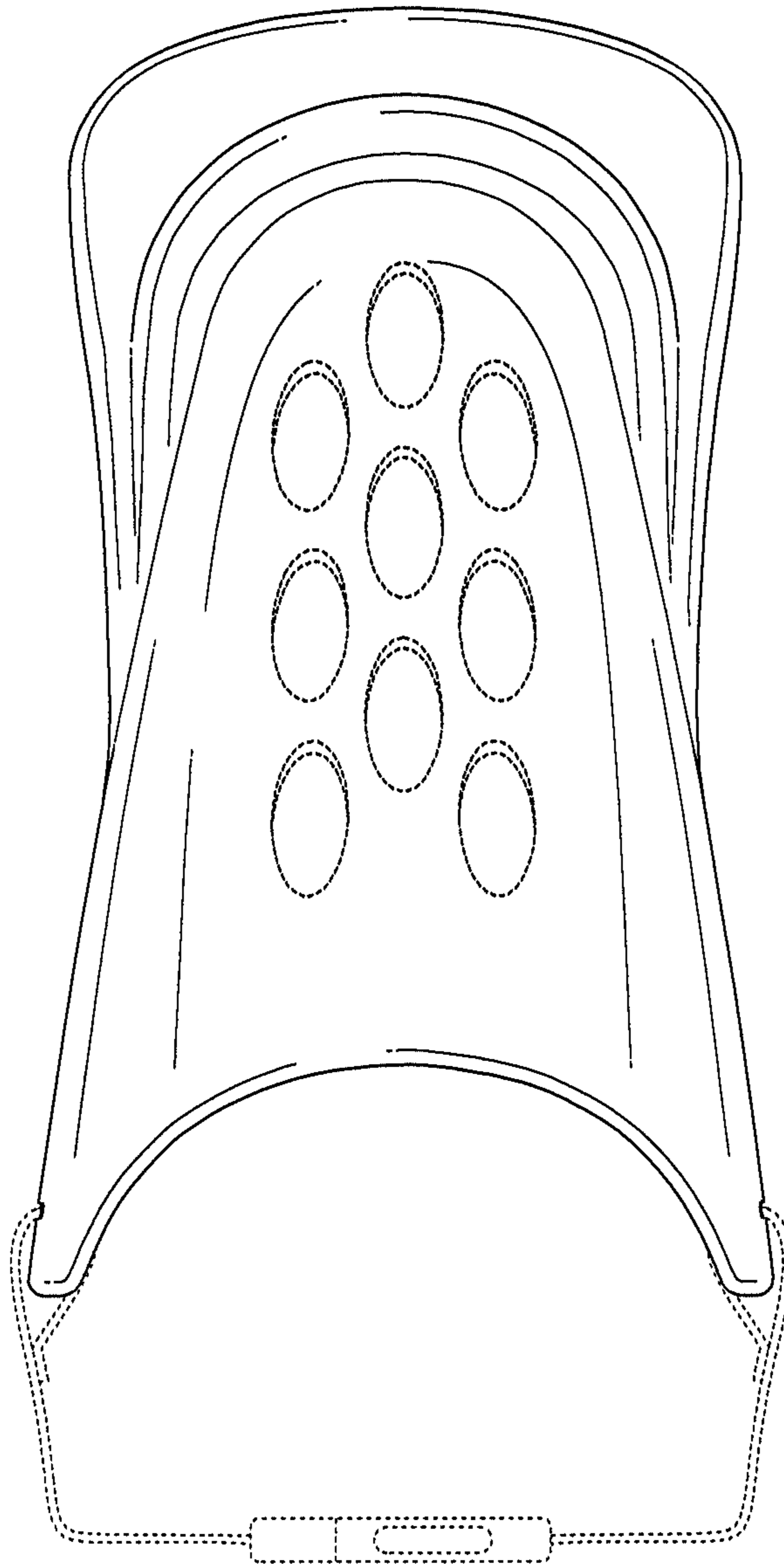


Fig. 35

