



US00D706495S

(12) **United States Design Patent**
Hansen

(10) **Patent No.:** **US D706,495 S**
(45) **Date of Patent:** **** Jun. 3, 2014**

- (54) **PET BOWL**
- (71) Applicant: **Kyle Hansen**, Castle Rock, CO (US)
- (72) Inventor: **Kyle Hansen**, Castle Rock, CO (US)
- (73) Assignee: **The Kyjen Company, Inc.**, Centennial, CO (US)
- (**) Term: **14 Years**
- (21) Appl. No.: **29/485,911**
- (22) Filed: **Mar. 25, 2014**
- (51) **LOC (10) Cl.** **30-03**
- (52) **U.S. Cl.**
USPC **D30/121**
- (58) **Field of Classification Search**
USPC D30/199, 160, 155, 118, 121, 122,
D30/128-133; D5/65, 99; D10/104;
D13/168; D11/127, 121, 125;
119/61.5, 51.01, 61.56, 51.03, 59, 62,
119/63, 51.5, 57.8, 74, 61.54, 61.55, 53,
119/53.5, 75, 51.02, 52.3, 57.9, 77, 707,
119/711; D21/656, 576, 577, 584, 585,
D21/590, 595, 362, 363, 350, 360, 334, 347,
D21/338, 340, 339, 343; 273/447
See application file for complete search history.

(56) **References Cited**

U.S. PATENT DOCUMENTS

446,872	A *	2/1891	Lightner	273/113
456,826	A *	7/1891	Jenne	273/113
496,202	A *	4/1893	Leighton	273/109
D25,252	S *	3/1896	Hall	D21/340
D25,449	S *	4/1896	Garland	D21/340
D25,816	S *	7/1896	Jones	D21/340
D26,162	S *	10/1896	Bitter	D21/340
D26,165	S *	10/1896	Schmidt	D21/340
D26,186	S *	10/1896	Schwartz	D21/340
574,158	A *	12/1896	Mapel	273/115

D26,747	S *	3/1897	Simcoe	D21/340
D26,911	S *	4/1897	Reed	D21/340
D27,046	S *	5/1897	Moody	D21/340
D27,119	S *	5/1897	Mahood	D21/340
D28,316	S *	2/1898	Berryman	D21/340
D28,614	S *	5/1898	Clarke	D21/340
D29,196	S *	8/1898	Riley et al.	D21/340
D29,249	S *	8/1898	Harris	D21/340
D30,825	S *	5/1899	Schneider	D21/340
D32,933	S *	7/1900	Feigl	D21/340
D33,099	S *	8/1900	Fritsche	D21/340
D34,556	S *	5/1901	Appleton	D21/340
D35,083	S *	9/1901	Sharp	D21/340
D35,543	S *	12/1901	Vogelsgesang	D21/340
855,919	A *	6/1907	Wood	273/112
939,050	A *	11/1909	Matthews	273/109

(Continued)

OTHER PUBLICATIONS

Internet Search <http://www.bing.com/images/search?g=pet+bowls+for+fast+eaters&gpvt=pet+bowls+for+fast+eaters&FORM=IGRE>, Mar. 20, 2014.

Primary Examiner — Susan Moon Lee

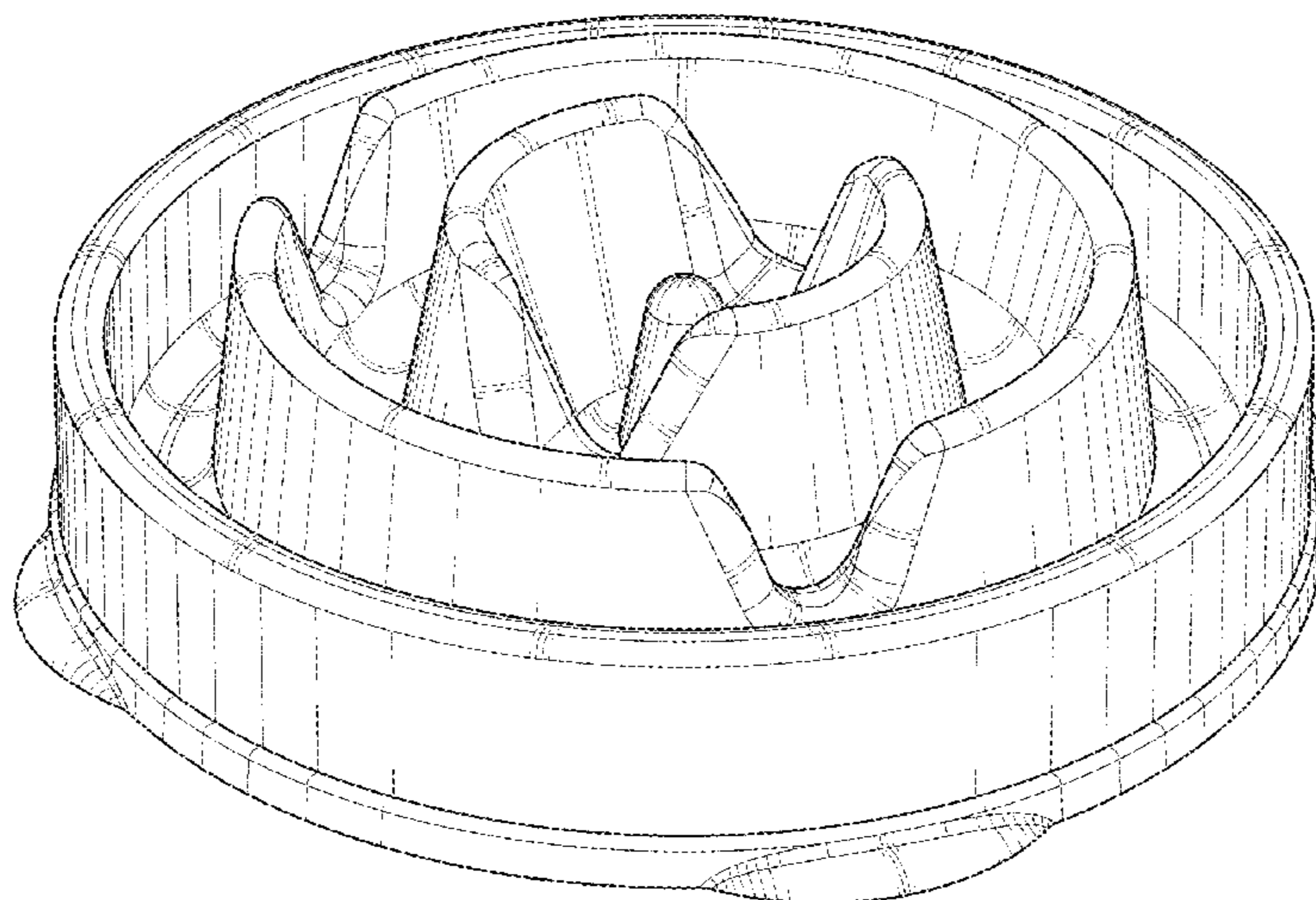
(57) **CLAIM**

We claim the ornamental design for a pet bowl, as shown and described.

DESCRIPTION

FIG. 1 is a top perspective view of a pet bowl showing our new design;
 FIG. 2 is a front elevation view thereof;
 FIG. 3 is a rear elevation view thereof;
 FIG. 4 is a right side elevation view thereof;
 FIG. 5 is a left side elevation view thereof;
 FIG. 6 is a top plan view thereof; and,
 FIG. 7 is a bottom view thereof.
 Broken lines and portions contained within unshaded broken lines are not claimed.
 The pet bowl is shaped such that an animal will eat slowly.

1 Claim, 5 Drawing Sheets



(56)

References Cited

U.S. PATENT DOCUMENTS

D49,847	S *	11/1916	McKoy	D21/340
D56,150	S *	8/1920	Guerin	D21/340
D58,829	S *	8/1921	Rode	D21/340
D60,450	S *	2/1922	Escobar et al.	D21/340
D68,645	S *	11/1925	Rode	D21/340
1,581,772	A *	4/1926	Williams	273/115
D83,140	S *	1/1931	Wolf	D21/340
D92,874	S *	7/1934	Baltzley	D21/340
2,011,266	A *	8/1935	Boynton	273/153 R
D106,454	S *	10/1937	Rubino	D21/340
2,563,608	A *	8/1951	Laufer	273/109
D171,950	S *	4/1954	Moore	D24/194
D187,032	S *	1/1960	Miller	D21/340
3,011,288	A *	12/1961	Einfalt	446/444
3,260,236	A *	7/1966	Jones	119/417
D207,853	S *	6/1967	Jaffe	D21/340
D208,642	S *	9/1967	Taylor	D21/340
3,502,335	A *	3/1970	Sholin	473/588
3,552,750	A *	1/1971	Lomberk et al.	273/112
3,589,060	A *	6/1971	Genin	446/246
3,747,930	A *	7/1973	Barlow	273/113
3,751,849	A *	8/1973	Goldfarb et al.	446/246
3,754,759	A *	8/1973	Breslow et al.	273/440
3,809,407	A *	5/1974	Quigley	273/241
3,811,676	A *	5/1974	Greenberg	273/110
3,829,096	A *	8/1974	Gioia et al.	273/110
3,844,562	A *	10/1974	Foley et al.	273/110
3,954,262	A *	5/1976	Weber	273/447
4,036,178	A *	7/1977	Lee et al.	119/51.02
D245,436	S *	8/1977	Zelenko	D21/340
D252,165	S *	6/1979	Wolf	D21/360
4,163,558	A *	8/1979	Jaworski et al.	273/115
4,251,075	A *	2/1981	Jaworski et al.	273/113
4,292,756	A *	10/1981	Jaworski et al.	446/246
4,332,385	A *	6/1982	McCaslin	273/113
D270,258	S *	8/1983	Iwaya et al.	D21/336
D273,314	S *	4/1984	McCoy et al.	D21/694
4,477,080	A *	10/1984	Baker	273/241
4,550,912	A *	11/1985	Allen	273/113
4,570,935	A *	2/1986	Stefanini	273/153 R
D286,062	S *	10/1986	Kernea et al.	D21/347
4,632,391	A *	12/1986	Orak	482/110
4,667,960	A *	5/1987	Stefanini	273/153 R
4,674,749	A *	6/1987	Shaffer et al.	273/153 R
4,722,299	A *	2/1988	Mohr	119/707
4,772,240	A *	9/1988	Boskovic	446/170
D299,771	S *	2/1989	Kennedy	
4,919,083	A *	4/1990	Axelrod	119/710
4,946,168	A *	8/1990	Fauls	273/241
4,986,547	A *	1/1991	Zarnoti	273/241
5,009,193	A *	4/1991	Gordon	119/711
5,041,048	A *	8/1991	Lehmann et al.	446/236
5,042,808	A *	8/1991	Shoptaugh	273/110
5,069,459	A *	12/1991	Zarnoti	273/241
5,205,558	A *	4/1993	Wilson	273/153 R
D335,553	S *	5/1993	Conner	D30/160
D335,554	S *	5/1993	Conner	D30/160
5,207,793	A *	5/1993	Brand et al.	273/445
5,269,261	A *	12/1993	McCance	119/706
D345,633	S *	3/1994	McCance	D30/160
5,310,190	A *	5/1994	Morris	273/243
5,342,064	A *	8/1994	Williamson et al.	273/447
D359,822	S *	6/1995	McCance	D30/160
5,517,948	A *	5/1996	Udelle et al.	119/706
5,529,017	A *	6/1996	Udelle et al.	119/707
5,540,187	A *	7/1996	Udelle et al.	119/706
5,544,623	A *	8/1996	Udelle et al.	119/706
5,572,955	A *	11/1996	Boshears	119/706
5,579,725	A *	12/1996	Boshears	119/706
D393,110	S *	3/1998	Mauldin, Jr.	D30/160
5,809,938	A *	9/1998	Baiera et al.	119/707
D405,563	S *	2/1999	Baiera et al.	D30/160
5,881,679	A *	3/1999	Hann	119/708
D412,768	S *	8/1999	Huettner et al.	D30/160
D416,052	S *	11/1999	Szumer	D21/340
D418,058	S *	12/1999	Chatterton et al.	D9/434
D423,601	S *	4/2000	Seifert et al.	D21/360
D428,449	S *	7/2000	Christianson	D21/398
D429,502	S *	8/2000	Christianson	D21/451
6,290,230	B1 *	9/2001	Anthony	273/447
D453,240	S *	1/2002	Simon	D30/160
D453,400	S *	2/2002	Kaplan	D30/160
6,510,817	B2 *	1/2003	Horvath	119/707
D495,756	S *	9/2004	Carley et al.	D21/405
D497,956	S *	11/2004	Breslow et al.	D21/303
6,945,195	B1 *	9/2005	Morrison	119/707
D526,029	S *	8/2006	Ragonetti et al.	D21/444
D535,337	S *	1/2007	Liu	D21/360
D535,704	S *	1/2007	Chow	D21/360
D537,119	S *	2/2007	Traub	D19/59
D560,254	S *	1/2008	Meyer	D21/303
7,320,296	B2 *	1/2008	Morrison	119/707
D606,277	S *	12/2009	Hachmann	D1/106
D606,713	S *	12/2009	Kellogg et al.	D30/160
7,661,394	B2 *	2/2010	Plante	119/707
D616,616	S *	5/2010	Byrne	D30/160
7,806,087	B2 *	10/2010	Plante	119/707
D633,661	S *	3/2011	Kellogg et al.	D30/160
7,895,975	B2	3/2011	Markham	
7,915,034	B2 *	3/2011	Cecchi et al.	435/288.5
7,976,355	B2 *	7/2011	McAnulty	446/46
D656,282	S *	3/2012	Dixon et al.	D30/160
D660,915	S *	5/2012	Chiu	D21/340
D660,916	S *	5/2012	Chiu	D21/340
D676,203	S *	2/2013	Hansen	D30/199
D676,619	S *	2/2013	Hansen	D30/199
8,418,657	B2 *	4/2013	Dixon et al.	119/711
D693,972	S *	11/2013	Price et al.	D30/160
D699,009	S	2/2014	Hansen et al.	
2002/0174839	A1 *	11/2002	Horvath	119/707
2005/0167909	A1 *	8/2005	Race	273/110
2006/0091604	A1 *	5/2006	Sargent	273/241
2007/0126185	A1 *	6/2007	Fukuzawa et al.	273/447
2008/0141945	A1	6/2008	Markham	
2009/0095229	A1 *	4/2009	Plante	119/707
2010/0003374	A1 *	1/2010	Hachmann	426/104
2011/0260408	A1 *	10/2011	Ritter et al.	273/447

* cited by examiner

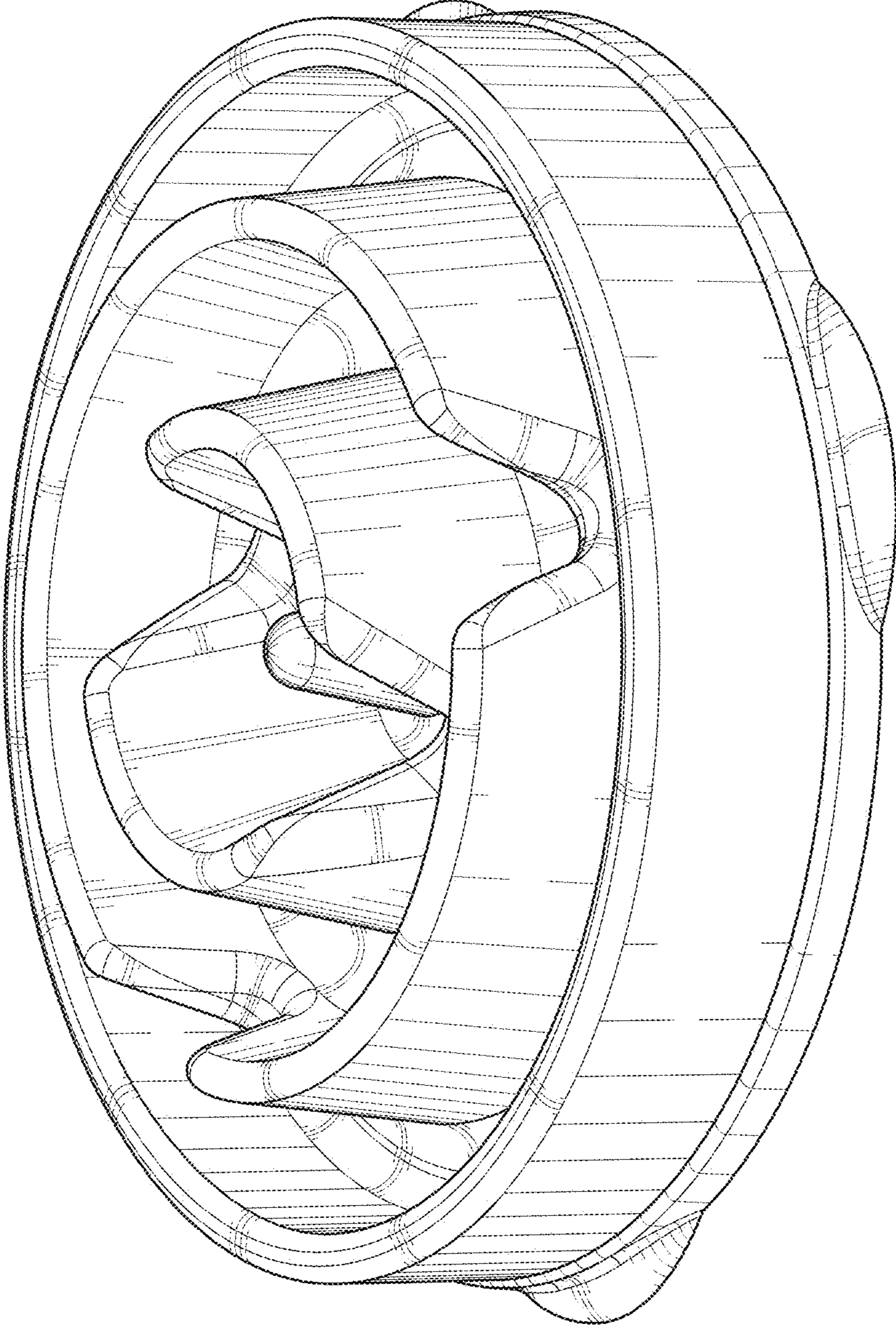


FIG. 1

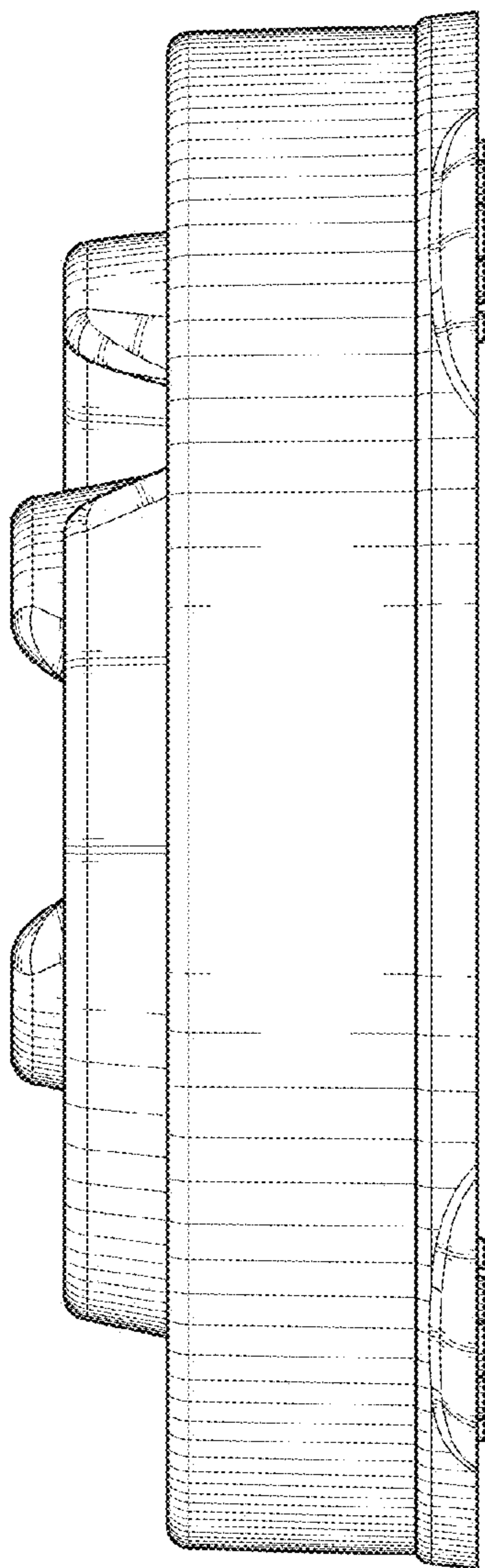


FIG. 2

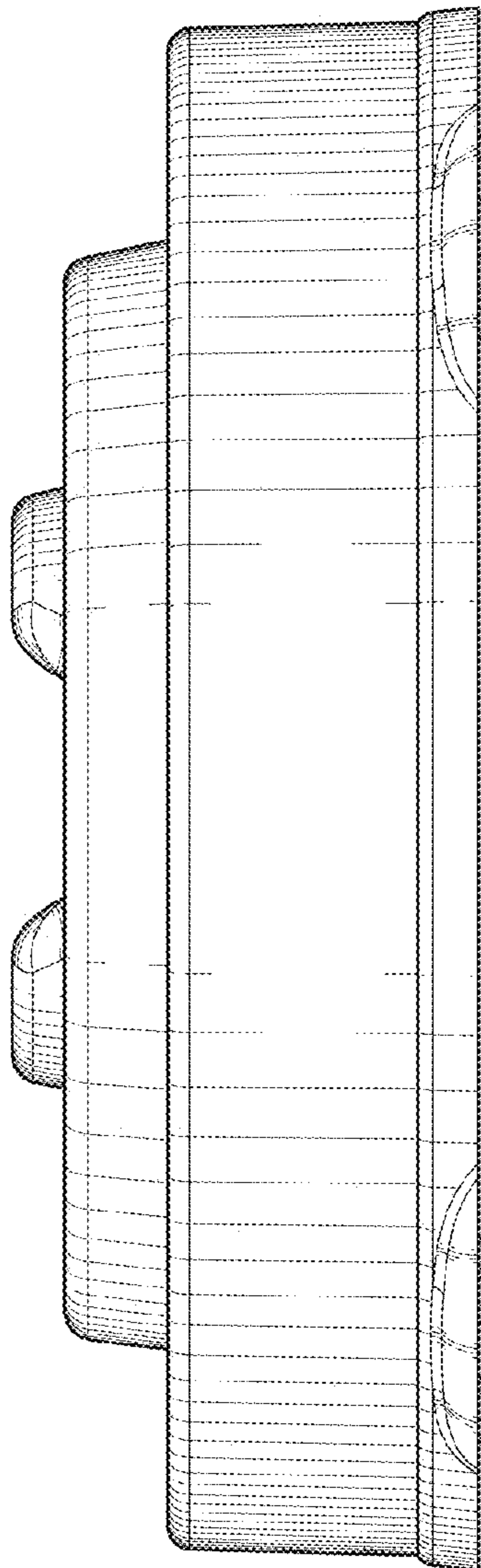


FIG. 3

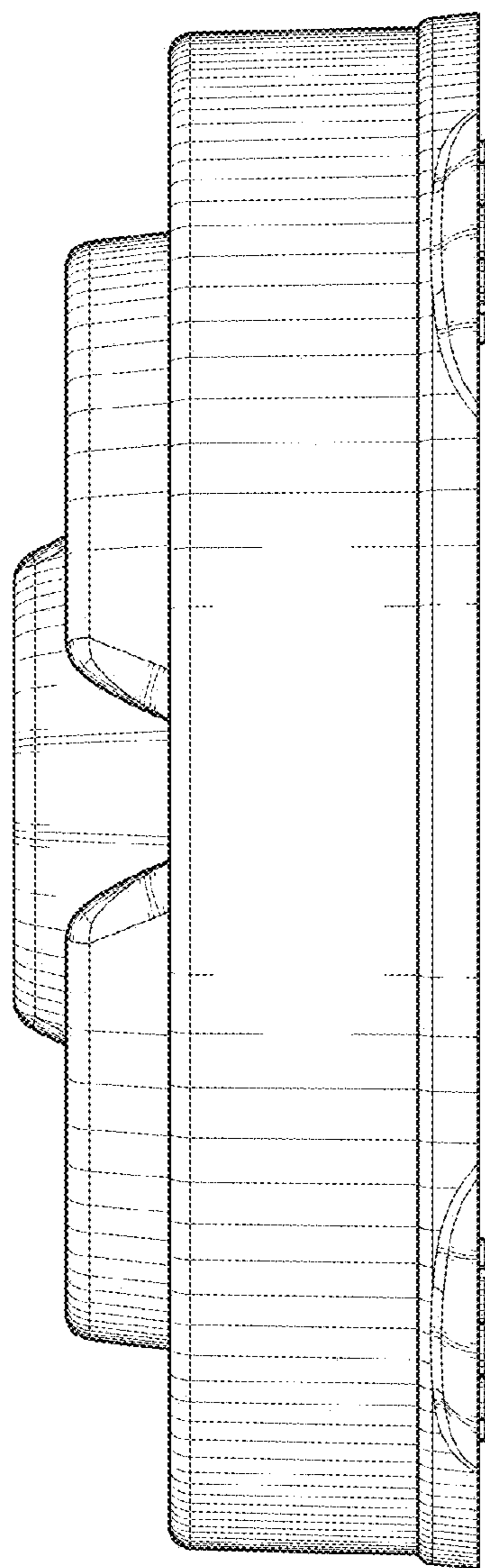


FIG. 4

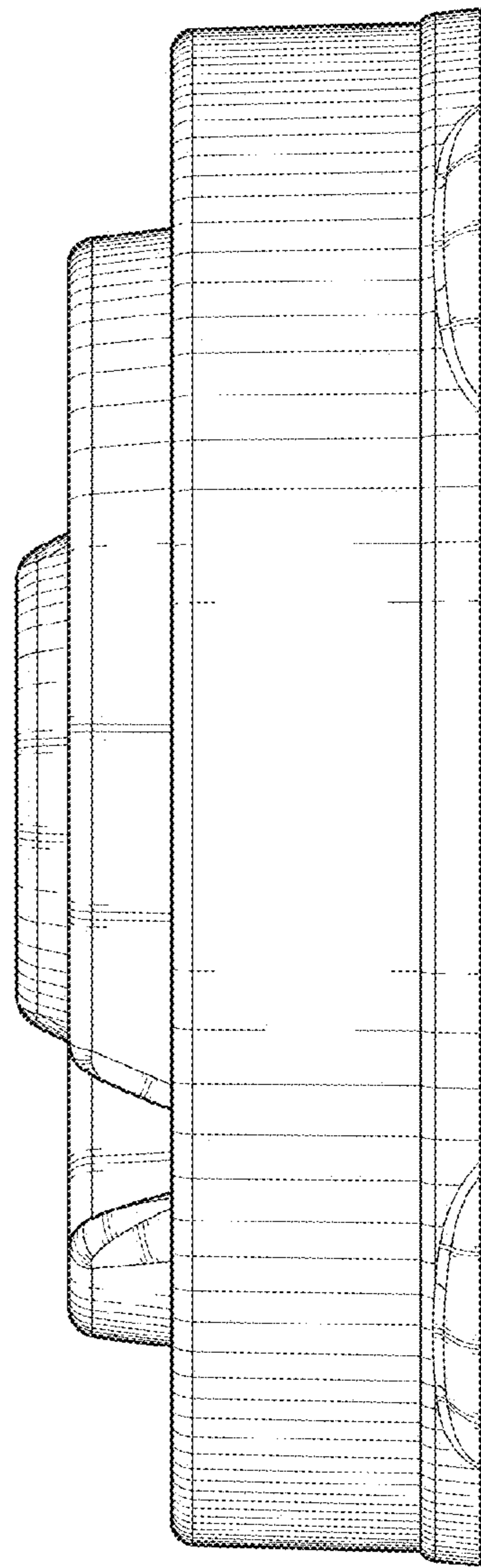


FIG. 5

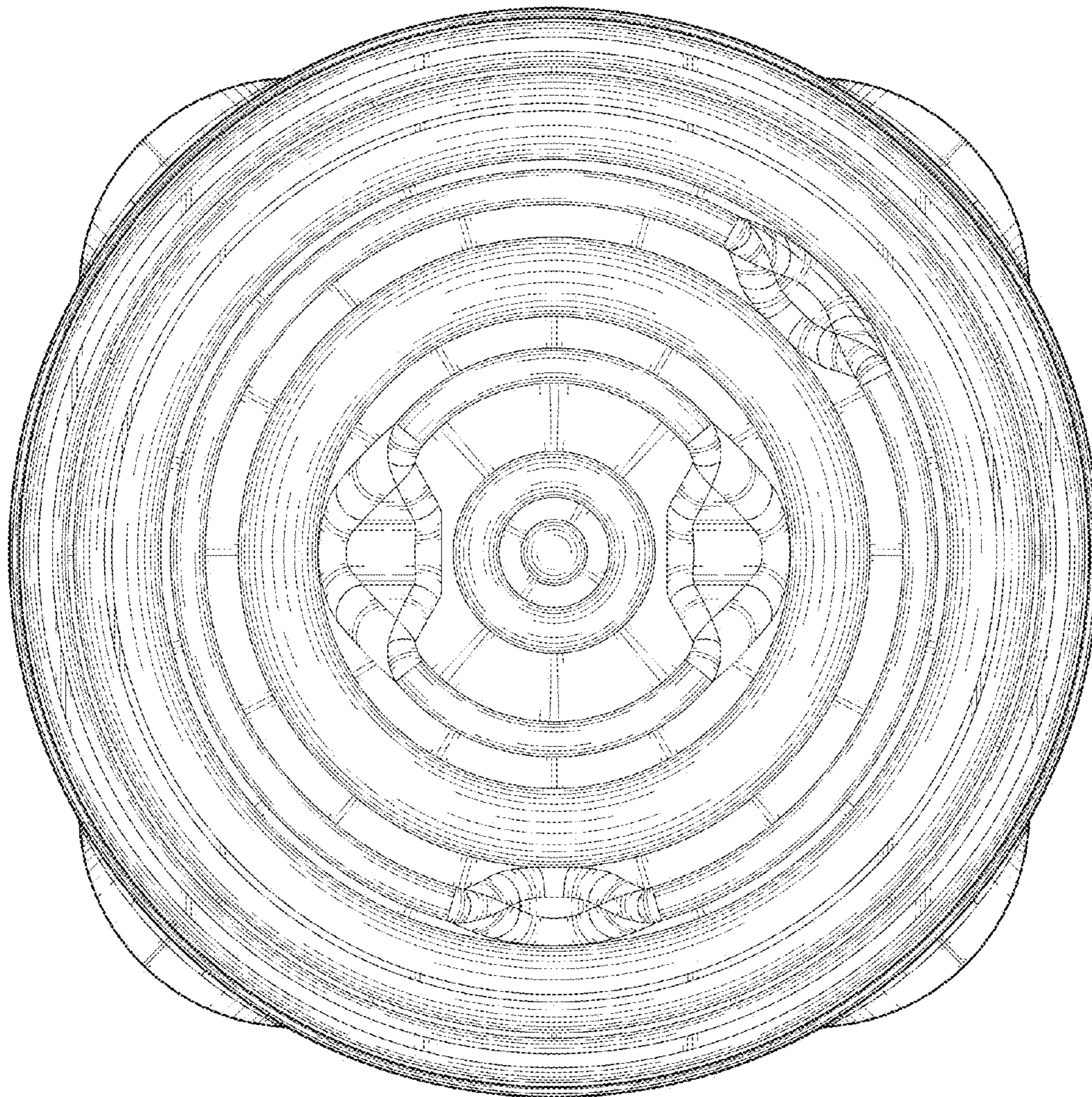


FIG. 6

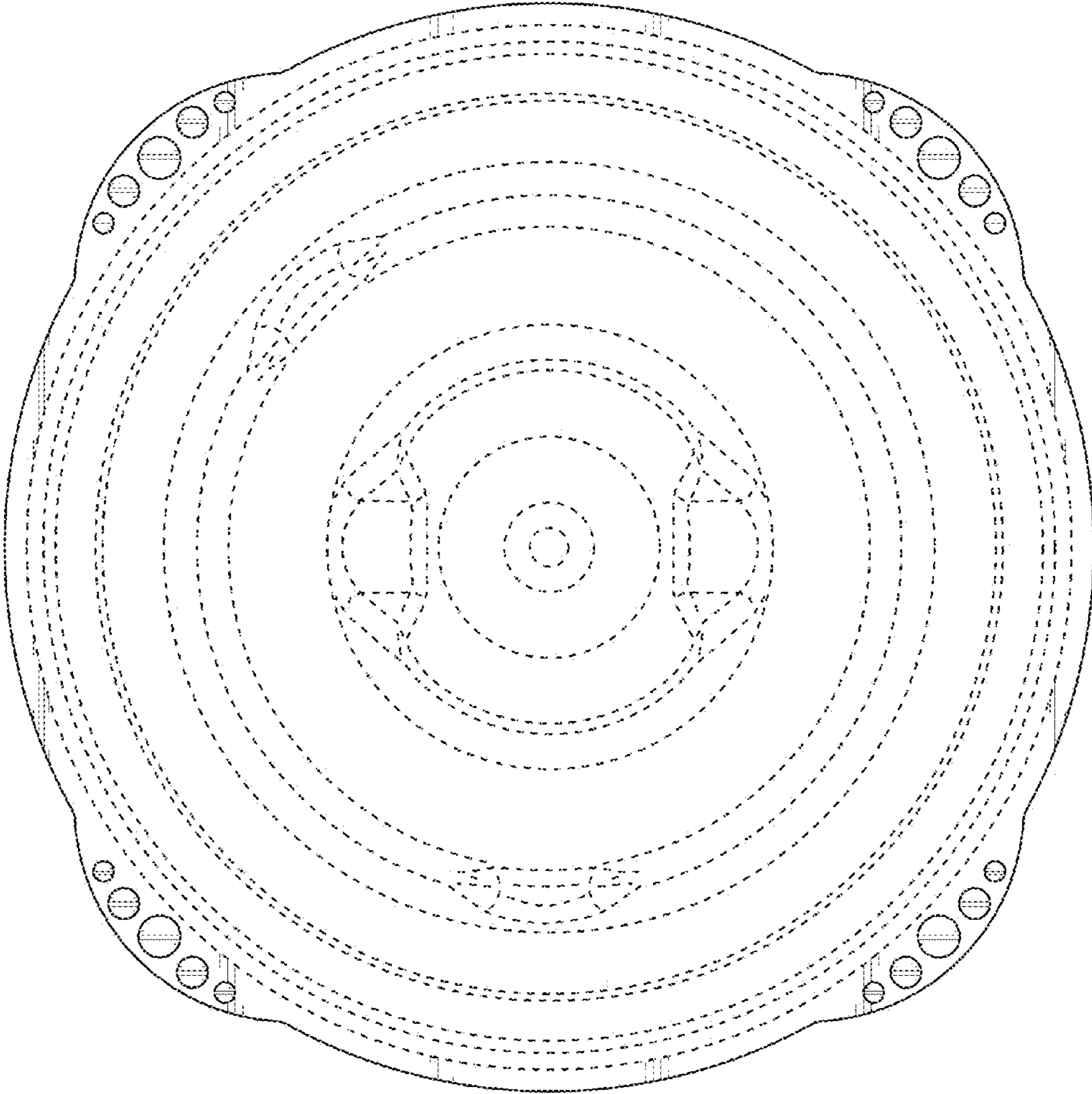


FIG. 7