



US00D706494S

(12) **United States Design Patent**
Hansen

(10) **Patent No.:** **US D706,494 S**
(45) **Date of Patent:** **** Jun. 3, 2014**

- (54) **PET BOWL**
- (71) Applicant: **Kyle Hansen**, Castle Rock, CO (US)
- (72) Inventor: **Kyle Hansen**, Castle Rock, CO (US)
- (73) Assignee: **The Kyjen Company, Inc.**, Centennial, CO (US)
- (**) Term: **14 Years**
- (21) Appl. No.: **29/485,643**
- (22) Filed: **Mar. 20, 2014**
- (51) **LOC (10) Cl.** **30-03**
- (52) **U.S. Cl.**
USPC **D30/121**
- (58) **Field of Classification Search**
USPC D30/199, 160, 155, 118, 121, 122,
D30/128-133; D5/65, 99; D10/104;
D13/168; D11/127, 121, 125;
119/61.5, 51.01, 61.56, 51.03, 59, 62,
119/63, 51.5, 57.8, 74, 61.54, 61.55, 53,
119/53.5, 75, 51.02, 52.3, 57.9, 77, 707,
119/711; D21/656, 576, 577, 584, 585,
D21/590, 595, 362, 363, 350, 360, 334, 347,
D21/338, 340, 339, 343; 273/447
See application file for complete search history.

- (56) **References Cited**
U.S. PATENT DOCUMENTS
- | | | | | |
|-------------|---------|----------|-------|----------|
| D16,191 S * | 8/1885 | Lockwood | | D7/554.2 |
| 456,826 A * | 7/1891 | Jenne | | 273/113 |
| D26,165 S * | 10/1896 | Schwartz | | D21/340 |
| D26,186 S * | 10/1896 | Schmidt | | D21/340 |
| D26,747 S * | 3/1897 | Simcoe | | D21/340 |
| D26,911 S * | 4/1897 | Reed | | D21/340 |
| D27,119 S * | 5/1897 | Mahood | | D21/340 |
| D28,316 S * | 2/1898 | Berryman | | D21/340 |
| D28,614 S * | 5/1898 | Clarke | | D21/340 |
| D29,249 S * | 8/1898 | Harris | | D21/340 |

- | | | | | |
|---------------|---------|--------------|-------|-----------|
| D30,825 S * | 5/1899 | Schneider | | D21/340 |
| D32,933 S * | 7/1900 | Feigl | | D21/340 |
| D33,099 S * | 8/1900 | Fritsche | | D21/340 |
| D34,556 S * | 5/1901 | Appleton | | D21/340 |
| D35,543 S * | 12/1901 | Vogelsgesang | | D21/340 |
| 799,985 A * | 9/1905 | Howland | | 273/113 |
| 855,919 A * | 6/1907 | Wood | | 273/112 |
| 939,050 A * | 11/1909 | Matthews | | 273/109 |
| 1,581,772 A * | 4/1926 | Williams | | 273/115 |
| D92,874 S * | 7/1934 | Baltzley | | D21/340 |
| 2,011,266 A * | 8/1935 | Boynton | | 273/153 R |
| 2,040,648 A * | 5/1936 | Fortes | | 99/440 |
| D106,454 S * | 10/1937 | Rubino | | D21/340 |
| D140,707 S * | 4/1945 | Gibson | | D7/409 |
| 2,563,608 A * | 8/1951 | Laufer | | 273/109 |
| D171,246 S * | 1/1954 | Carlson | | D10/46.1 |

(Continued)

OTHER PUBLICATIONS

Internet Search <http://www.bing.com/images/search?q=pet+bowls+for+fast+eaters&qpv=pet+bowls+for+fast+eaters&FORM=IGRE> Mar. 20, 2014..

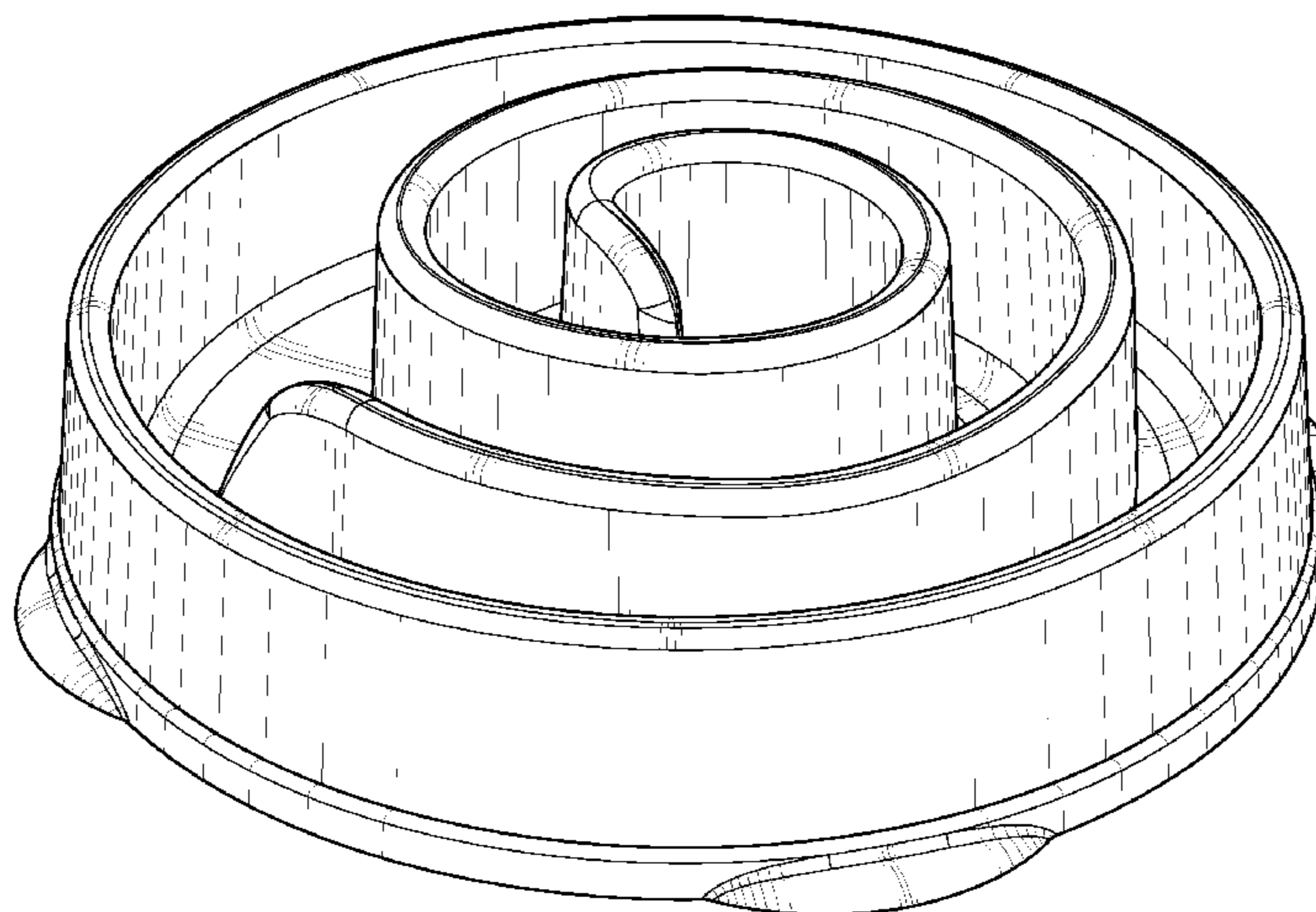
Primary Examiner — Susan Moon Lee

(57) **CLAIM**
I claim the ornamental design for a pet bowl, as shown and described.

DESCRIPTION

FIG. 1 is a top perspective view of a pet bowl showing our new design;
FIG. 2 is a front elevation view thereof;
FIG. 3 is a rear elevation view thereof;
FIG. 4 is a right side elevation view thereof;
FIG. 5 is a left side elevation view thereof;
FIG. 6 is a top plan view thereof; and,
FIG. 7 is a bottom view thereof.
Broken lines and portions contained within unshaded broken lines are not claimed.
The pet bowl is shaped such that an animal will eat slowly.

1 Claim, 5 Drawing Sheets



(56)

References Cited

U.S. PATENT DOCUMENTS

D196,132	S *	8/1963	Polk	D7/698
3,747,930	A *	7/1973	Barlow	273/113
3,811,676	A *	5/1974	Greenberg	273/110
3,844,562	A *	10/1974	Foley et al.	273/110
3,954,262	A *	5/1976	Weber	273/447
4,197,940	A *	4/1980	DeRossett	220/780
4,251,075	A *	2/1981	Jaworski et al.	273/113
D264,098	S *	4/1982	Mayuzumi	D21/340
4,332,385	A *	6/1982	McCaslin	273/113
4,550,912	A *	11/1985	Allen	273/113
4,570,935	A *	2/1986	Stefanini	273/153 R
4,667,960	A *	5/1987	Stefanini	273/153 R
4,674,749	A *	6/1987	Shaffer et al.	273/153 R
D299,771	S	2/1989	Kennedy		
4,877,151	A *	10/1989	Rush et al.	206/514
D307,227	S *	4/1990	Sibilio et al.	D7/610
D307,527	S *	5/1990	DeCoster	D7/667
4,946,168	A *	8/1990	Fauls	273/241
D400,394	S *	11/1998	Banach et al.	D7/396.6
D416,052	S *	11/1999	Szumer	D21/340
D418,058	S *	12/1999	Chatterton et al.	D9/434
6,220,917	B1 *	4/2001	Nelson	446/27
6,419,898	B1 *	7/2002	Flashinski et al.	424/40
D471,100	S *	3/2003	Guzowski	D9/428
D479,956	S *	9/2003	Bellander	D7/667
D497,956	S *	11/2004	Breslow et al.	D21/303
D522,319	S *	6/2006	Palder	D7/602
D523,185	S *	6/2006	Oliphant	D30/130
D526,541	S *	8/2006	Repp et al.	D7/667
7,264,155	B2 *	9/2007	Halbur et al.	235/380
D559,326	S *	1/2008	Humphrey	D21/326
D562,078	S *	2/2008	Herssein	D7/555
D564,307	S *	3/2008	Repp	D7/667
D581,747	S *	12/2008	Repp et al.	D7/667
D583,197	S *	12/2008	Seehoff et al.	D7/676
D585,708	S *	2/2009	Gransbury	D7/682
D609,058	S *	2/2010	Roth et al.	D7/602
7,661,394	B2 *	2/2010	Plante	119/707
D634,780	S *	3/2011	Schumann	D19/9
D635,187	S *	3/2011	Pompei et al.	D19/9
7,895,975	B2	3/2011	Markham		
7,915,034	B2 *	3/2011	Cecchi et al.	435/288.5
7,976,355	B2 *	7/2011	McAnulty	446/46
D646,967	S *	10/2011	Tamshe et al.	D9/428
D647,366	S *	10/2011	Enghard	D7/412
D656,282	S *	3/2012	Dixon et al.	D30/160
D660,915	S *	5/2012	Chiu	D21/340
D664,392	S *	7/2012	Enghard	D7/412
8,418,657	B2 *	4/2013	Dixon et al.	119/711
D681,449	S *	5/2013	Snedden et al.	D9/429
D693,972	S *	11/2013	Price et al.	D30/160
D698,095	S *	1/2014	Paculdo	D30/121
D698,096	S *	1/2014	Paculdo	D30/121
D699,009	S *	2/2014	Hansen et al.	D30/121
D700,407	S *	2/2014	Paschall et al.	D30/129
D701,293	S *	3/2014	Mjelde	D23/261
2001/0025825	A1 *	10/2001	Therber	211/196
2006/0005774	A1 *	1/2006	Newman Bornhofen	119/61.5
2006/0096929	A1 *	5/2006	Repp et al.	210/740
2006/0213447	A1 *	9/2006	Kitchen et al.	119/61.5
2008/0141945	A1	6/2008	Markham		
2011/0260408	A1 *	10/2011	Ritter et al.	273/447

* cited by examiner

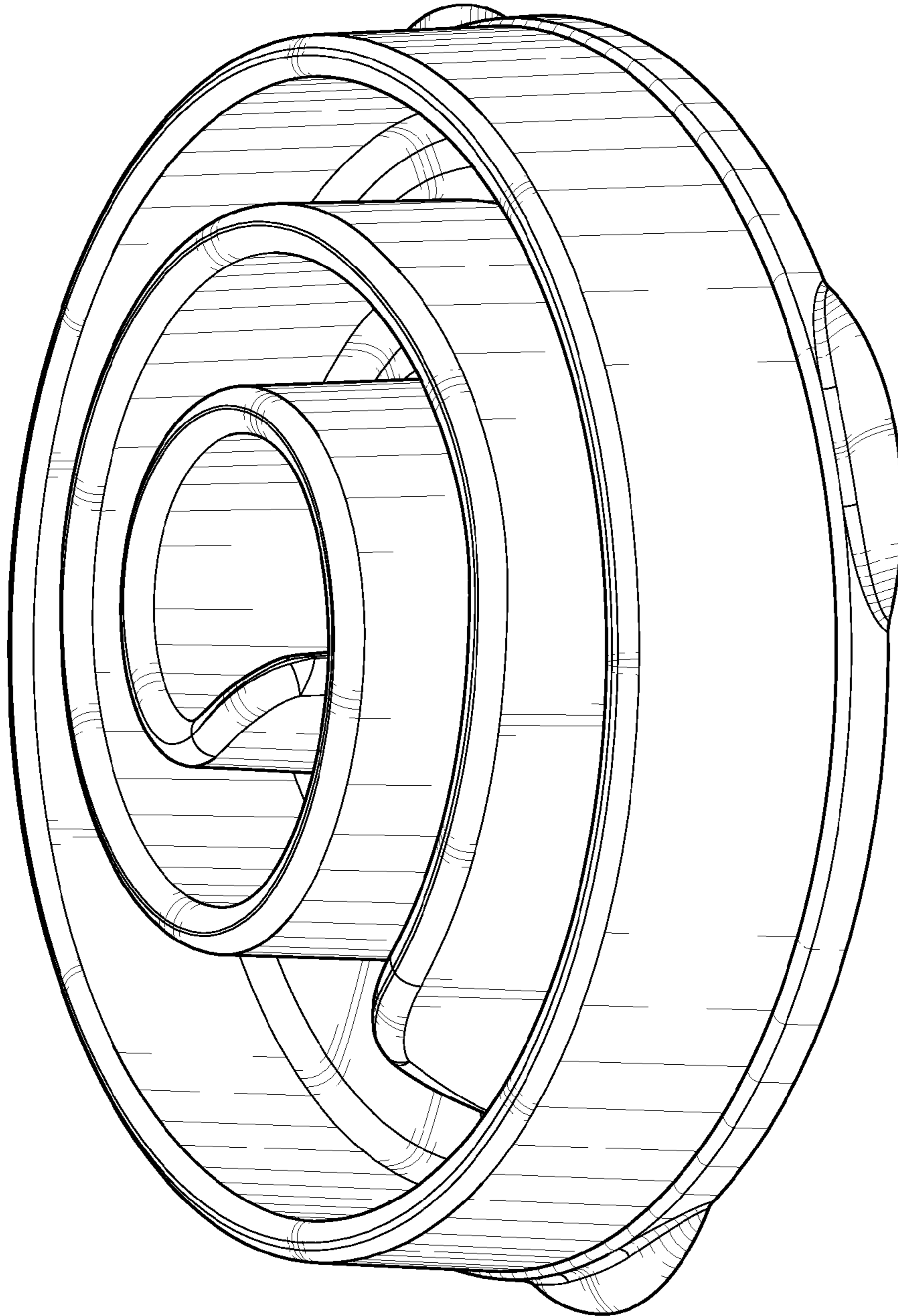


FIG. 1

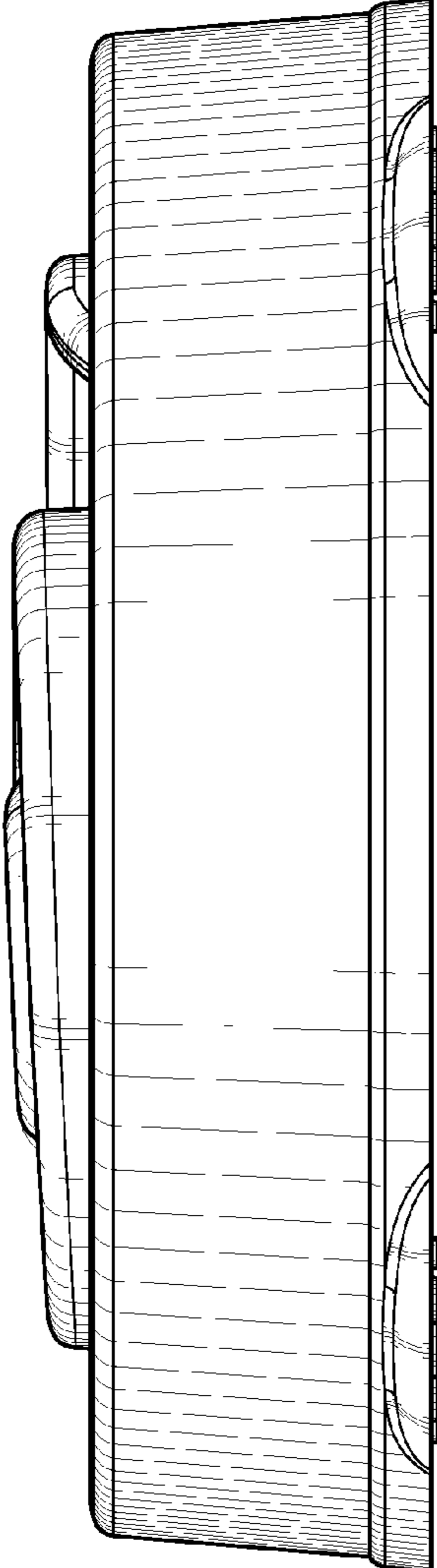


FIG. 2

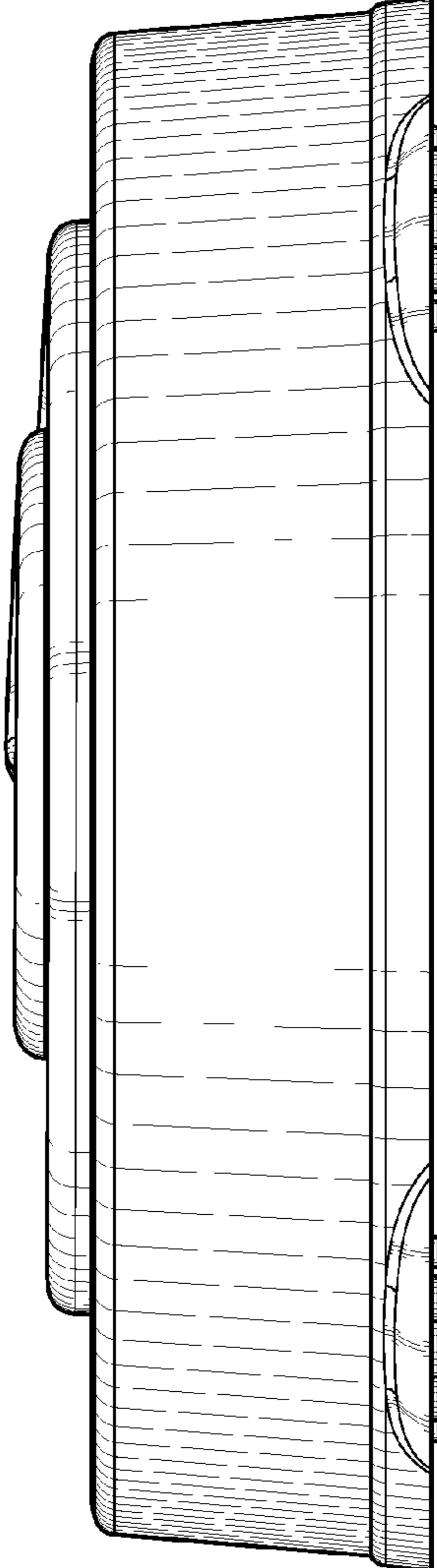


FIG. 3

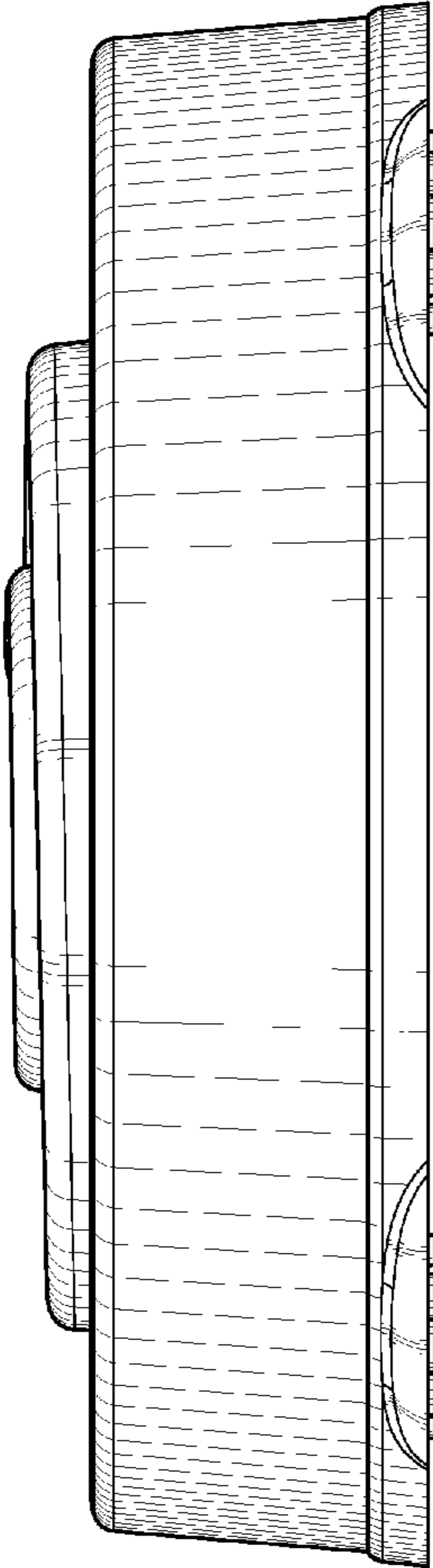


FIG. 4

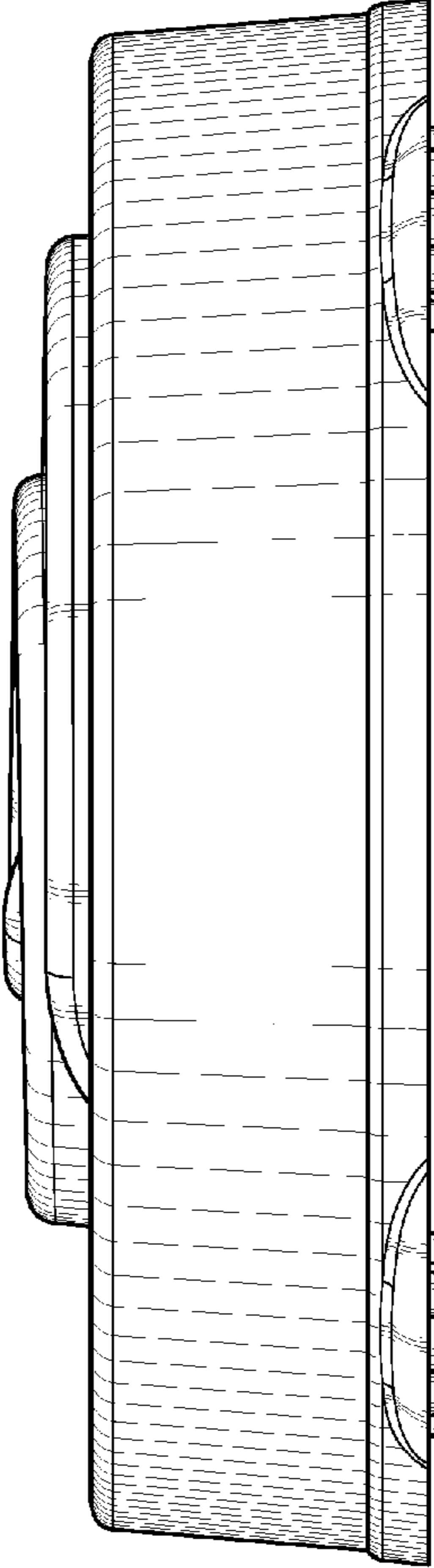


FIG. 5

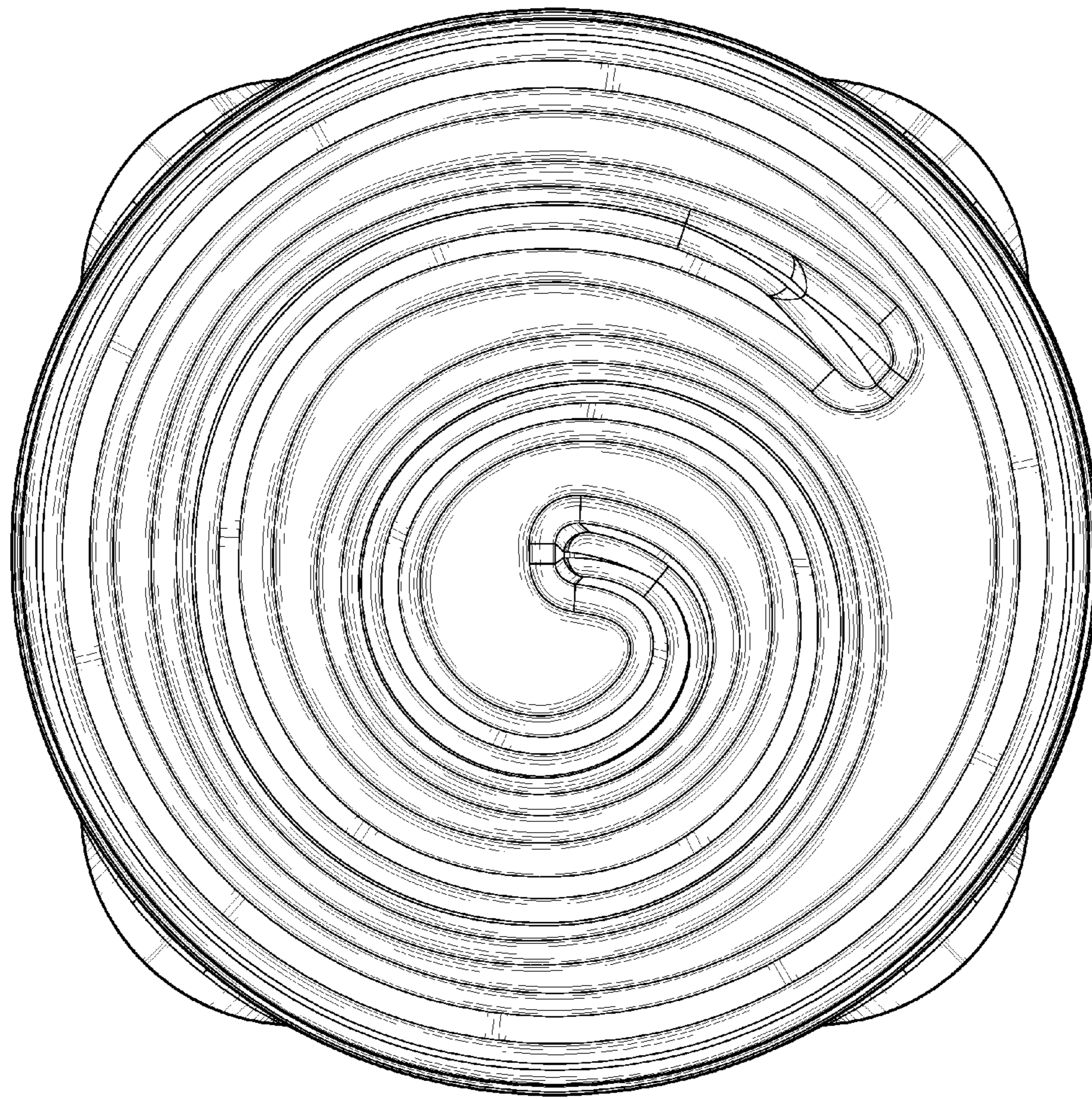


FIG. 6

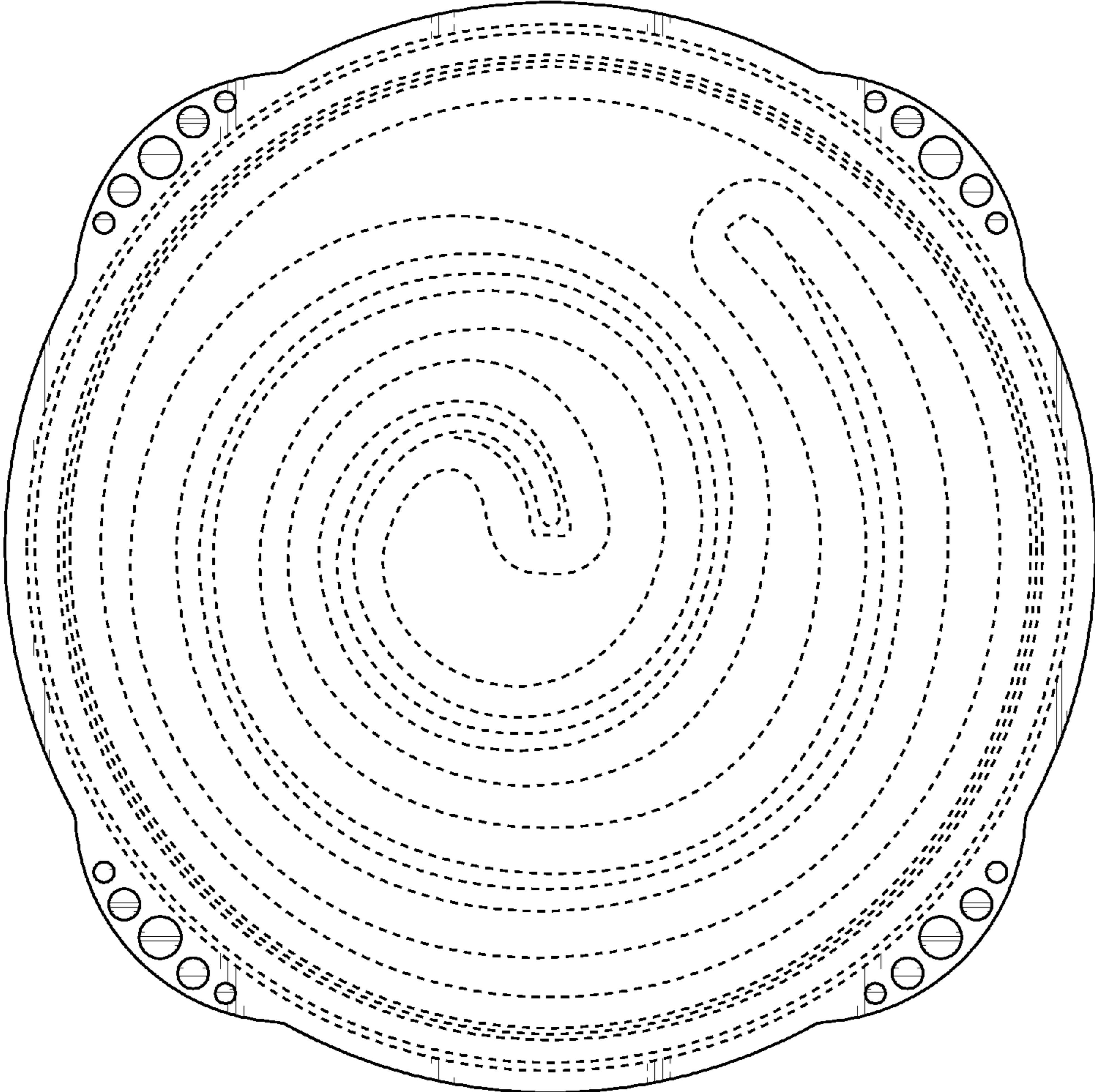


FIG. 7