



US00D706493S

(12) **United States Design Patent**  
**Hansen et al.**

(10) **Patent No.:** **US D706,493 S**  
(45) **Date of Patent:** **\*\* Jun. 3, 2014**

(54) **PET BOWL**  
(71) Applicants: **Kyle Hansen**, Castle Rock, CO (US);  
**Lauren Jenna Martinez**, Denver, CO  
(US); **Rebecca Sturges Murray**,  
Denver, CO (US); **Andrew Joseph**  
**Valentine**, Denver, CO (US); **Darren**  
**Macca**, Longmont, CA (US)  
(72) Inventors: **Kyle Hansen**, Castle Rock, CO (US);  
**Lauren Jenna Martinez**, Denver, CO  
(US); **Rebecca Sturges Murray**,  
Denver, CO (US); **Andrew Joseph**  
**Valentine**, Denver, CO (US); **Darren**  
**Macca**, Longmont, CA (US)  
(73) Assignee: **The Kyjen Company, Inc.**, Centennial,  
CO (US)  
(\*\*) Term: **14 Years**

(21) Appl. No.: **29/469,671**  
(22) Filed: **Oct. 11, 2013**  
(51) **LOC (10) Cl.** ..... **30-03**  
(52) **U.S. Cl.**  
USPC ..... **D30/121**  
(58) **Field of Classification Search**  
USPC ..... D30/199, 160, 155, 118, 121, 122,  
D30/128-133; D5/65, 99; D10/104;  
D13/168; D11/127, 121, 125;  
119/61.5, 51.01, 61.56, 51.03, 59, 62,  
119/63, 51.5, 57.8, 74, 61.54, 61.55, 53,  
119/53.5, 75, 51.02, 52.3, 57.9, 77, 707,  
119/711; D21/656, 576, 577, 584, 585,  
D21/590, 595, 362, 363, 350, 360, 334, 347,  
D21/338, 340, 339, 343; 273/447  
See application file for complete search history.

(56) **References Cited**  
U.S. PATENT DOCUMENTS  
D25,053 S \* 1/1896 Cochrane ..... D21/340  
D25,963 S \* 8/1896 Peck ..... D21/340  
D25,964 S \* 8/1896 Hall ..... D21/340  
D26,162 S \* 10/1896 Bitter ..... D21/340

D26,230 S \* 10/1896 Wilson ..... D21/340  
D26,530 S \* 1/1897 Donaly ..... D21/340  
D26,820 S \* 3/1897 Lenhart ..... D21/340  
D28,143 S \* 1/1898 Reid ..... D21/340  
D28,205 S \* 1/1898 Elmberg ..... D21/340  
D29,400 S \* 9/1898 Schieffelin ..... D21/340  
D29,855 S \* 12/1898 Wllson ..... D21/340  
D32,837 S \* 6/1900 Kuss ..... D21/340  
D33,123 S \* 8/1900 Kinnicutt ..... D21/340  
D33,204 S \* 9/1900 Pyle ..... D21/340  
D33,564 S \* 11/1900 Boyle ..... D21/340  
1,086,735 A \* 2/1914 Spaulding ..... 206/371  
D47,121 S \* 3/1915 Smith ..... D21/340  
1,361,451 A \* 12/1920 Flannery, Jr. .... 312/117  
D83,036 S \* 1/1931 Evans et al. .... D21/340  
D83,110 S \* 1/1931 Kimmins ..... D21/340  
2,011,266 A \* 8/1935 Boynton ..... 273/153 R  
D104,956 S \* 6/1937 Baker ..... D6/470

(Continued)

**OTHER PUBLICATIONS**

Internet Search <http://www.bing.com/images/search?q=pet+bowls+for+fast+eaters&qpv=pet+bowls+for+fast+eaters&FORM=IGRE>.

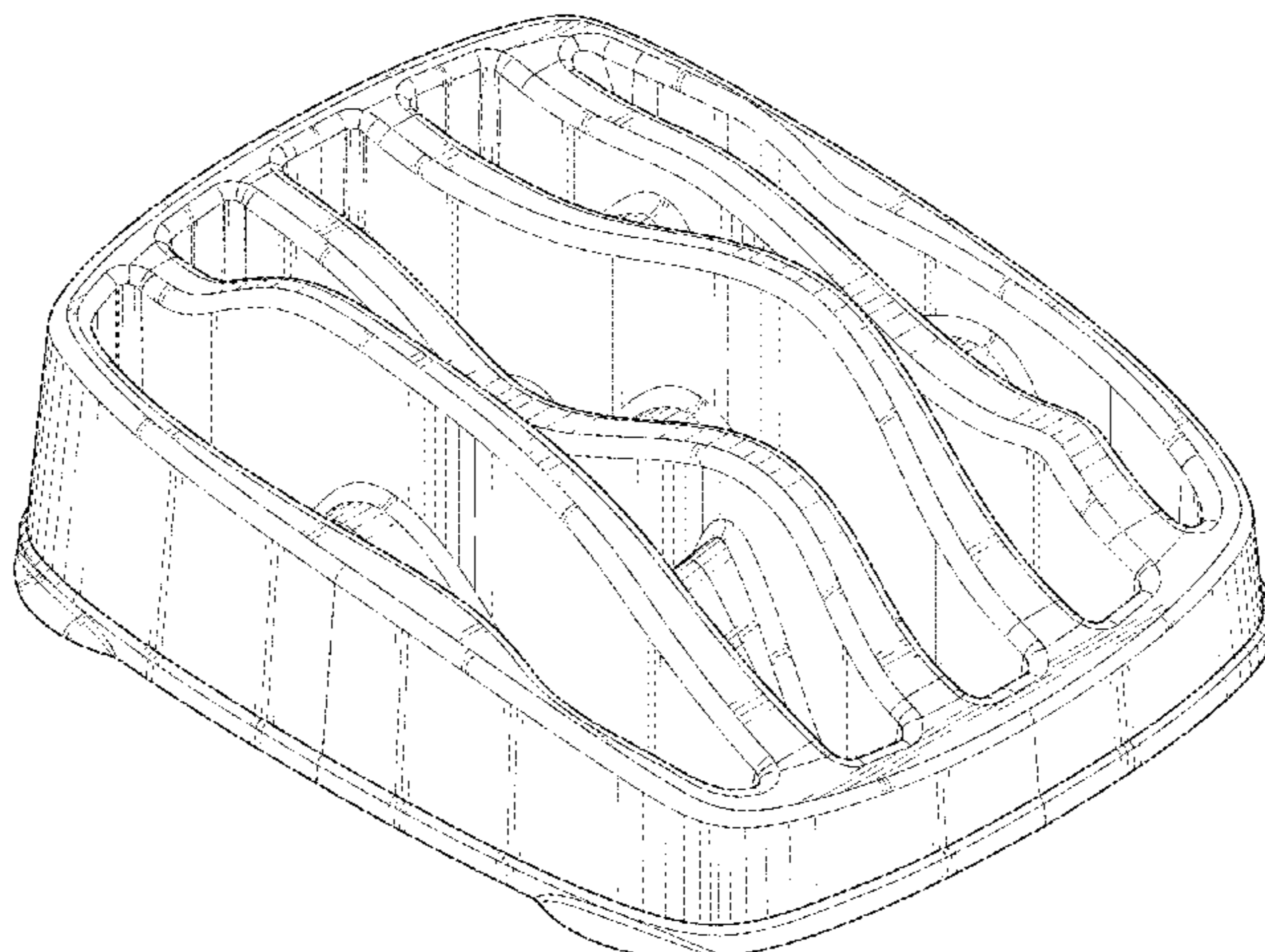
*Primary Examiner* — Susan Moon Lee

(57) **CLAIM**  
We claim the ornamental design for a pet bowl, as shown and described.

**DESCRIPTION**

FIG. 1 is a top perspective view of a pet bowl showing our new design;  
FIG. 2 is a front elevation view thereof;  
FIG. 3 is a rear elevation view thereof;  
FIG. 4 is a right side elevation view thereof;  
FIG. 5 is a left side elevation view thereof;  
FIG. 6 is a top plan view thereof; and,  
FIG. 7 is a bottom view thereof.  
Broken lines and portions contained within unshaded broken lines are not claimed.  
The pet bowl is shaped such that an animal will eat slowly.

**1 Claim, 5 Drawing Sheets**



(56)

## References Cited

## U.S. PATENT DOCUMENTS

- D149,461 S \* 4/1948 Underwood ..... D19/86  
D156,758 S \* 1/1950 Niesner ..... D19/36  
D174,754 S \* 5/1955 Kallmeyer ..... D6/474  
D179,025 S \* 10/1956 Mullins ..... D21/340  
2,914,184 A \* 11/1959 Dgetluck ..... 211/55  
3,107,467 A \* 10/1963 Gates ..... 53/254  
D201,716 S \* 7/1965 Franklin ..... D3/313  
3,260,236 A \* 7/1966 Jones ..... 119/417  
D215,016 S \* 8/1969 Kriegel ..... D7/637  
D217,170 S \* 4/1970 Smith ..... D21/340  
3,540,731 A \* 11/1970 Muncey ..... 273/109  
3,601,277 A \* 8/1971 Andrews et al. .... 220/556  
D223,713 S \* 5/1972 Reay ..... D21/340  
3,731,933 A \* 5/1973 Grant ..... 273/113  
D228,005 S \* 7/1973 Stubbmann ..... D21/340  
3,785,651 A \* 1/1974 Smith ..... 273/113  
3,809,407 A \* 5/1974 Quigley ..... 273/241  
D231,788 S \* 6/1974 Peterson ..... D21/340  
3,857,364 A \* 12/1974 Miller, Jr. .... 119/417  
3,885,668 A \* 5/1975 McClain ..... 312/240  
D239,472 S \* 4/1976 Clowe ..... D6/629  
4,008,895 A \* 2/1977 Reiner et al. .... 273/113  
D245,436 S \* 8/1977 Zelenko ..... D21/340  
4,055,341 A \* 10/1977 Martinez ..... 463/69  
D247,645 S \* 3/1978 Woodhall ..... D6/629  
D248,981 S \* 8/1978 Lombardo ..... D21/340  
D250,092 S \* 10/1978 Schoenfield et al. .... D9/414  
4,142,724 A \* 3/1979 Reick ..... 273/109  
D254,282 S \* 2/1980 Aprahamian ..... D6/629  
4,248,422 A \* 2/1981 Messina ..... 273/441  
D260,197 S \* 8/1981 Long et al. .... D6/629  
D262,172 S \* 12/1981 Richter ..... D6/476  
D264,098 S \* 4/1982 Mayuzumi ..... D21/340  
D265,103 S \* 6/1982 Kroll ..... D21/340  
D268,352 S \* 3/1983 Steinberg ..... D21/340  
D269,825 S \* 7/1983 Shirako et al. .... D6/407  
4,454,949 A \* 6/1984 Flum ..... 211/59.2  
D275,058 S \* 8/1984 Flum ..... D6/467  
4,542,713 A \* 9/1985 Hansen ..... 119/417  
D282,600 S \* 2/1986 Hallengren ..... D6/629  
4,577,914 A \* 3/1986 Stravitz ..... 312/9.9  
4,684,027 A \* 8/1987 Wright ..... 211/40  
D295,932 S \* 5/1988 Cugley ..... D6/476  
D296,949 S \* 7/1988 Warwicker ..... D99/34  
D297,023 S \* 8/1988 Black ..... D21/340  
D299,771 S \* 2/1989 Kennedy  
D313,519 S \* 1/1991 Block ..... D6/467  
D314,403 S \* 2/1991 Fain, Sr. .... D21/340  
D316,347 S \* 4/1991 Getto ..... D6/467  
D316,565 S \* 4/1991 Rust ..... D19/75  
D317,178 S \* 5/1991 Kheng ..... D19/75  
D317,382 S \* 6/1991 Polvere ..... D6/408  
D324,144 S \* 2/1992 Watrous ..... D6/476  
D335,976 S \* 6/1993 Brown ..... D6/467  
D346,934 S \* 5/1994 Littlejohn ..... D7/549  
5,310,184 A \* 5/1994 Grist ..... 273/153 R  
D348,692 S \* 7/1994 Hou ..... D19/75  
D348,903 S \* 7/1994 Fischtein et al. .... D19/76  
D354,516 S \* 1/1995 Crist et al. .... D19/75  
D360,780 S \* 8/1995 Kennedy, Jr. .... D6/449  
D378,563 S \* 3/1997 Ferris ..... D7/629  
D381,686 S \* 7/1997 Chiu ..... D19/77  
D385,112 S \* 10/1997 Birnbaum ..... D3/313  
D385,920 S \* 11/1997 Tisbo ..... D19/75  
D385,922 S \* 11/1997 Tisbo ..... D19/90  
D390,266 S \* 2/1998 Cheris et al. .... D19/78  
D393,002 S \* 3/1998 Mandar ..... D19/78  
5,749,575 A \* 5/1998 German ..... 273/113  
D395,392 S \* 6/1998 Lahm et al. .... D9/425  
D396,580 S \* 8/1998 Harper ..... D6/467  
D398,078 S \* 9/1998 Hsu ..... D28/73  
5,833,334 A \* 11/1998 Harper ..... 312/257.1  
D402,137 S \* 12/1998 Blazeovich ..... D6/467  
D403,177 S \* 12/1998 Harper ..... D6/467  
D404,768 S \* 1/1999 Stravitz ..... D19/75  
D404,957 S \* 2/1999 Cheris et al. .... D6/629  
D427,835 S \* 7/2000 Tisbo ..... D6/629  
D432,576 S \* 10/2000 Stravitz ..... D19/75  
D433,251 S \* 11/2000 Blazeovich ..... D6/467  
6,220,917 B1 \* 4/2001 Nelson ..... 446/27  
6,320,505 B1 \* 11/2001 Scott ..... 340/568.1  
6,536,609 B2 \* 3/2003 Lake ..... 211/59.3  
D499,304 S \* 12/2004 Wiedmeyer et al. .... D7/549  
D505,082 S \* 5/2005 Bruce et al. .... D9/737  
D515,866 S \* 2/2006 Wiedmeyer et al. .... D7/396.1  
7,009,832 B1 \* 3/2006 Chen et al. .... 361/306.1  
7,104,408 B2 \* 9/2006 Stravitz ..... 211/11  
D531,225 S \* 10/2006 Kent et al. .... D19/77  
D547,973 S \* 8/2007 Brown et al. .... D6/476  
7,264,155 B2 \* 9/2007 Halbur et al. .... 235/380  
D562,078 S \* 2/2008 Herssein ..... D7/555  
D573,648 S \* 7/2008 Chen et al. .... D19/69  
D604,072 S \* 11/2009 Nielsen ..... D6/510  
D612,891 S \* 3/2010 Chen et al. .... D19/78  
D613,330 S \* 4/2010 Ho et al. .... D18/6  
D613,875 S \* 4/2010 Mcdevitt ..... D24/227  
D631,510 S \* 1/2011 Stravitz ..... D19/78  
D632,907 S \* 2/2011 Clark et al. .... D6/511  
D634,780 S \* 3/2011 Schumann ..... D19/9  
D634,785 S \* 3/2011 Stravitz ..... D19/78  
7,895,975 B2 \* 3/2011 Markham  
8,011,662 B2 \* 9/2011 Black ..... 273/153 R  
D652,447 S \* 1/2012 Knox, Jr. .... D19/2  
D660,650 S \* 5/2012 Moore ..... D7/553.2  
D662,133 S \* 6/2012 Smith et al. .... D19/26  
D665,221 S \* 8/2012 Tosdale et al. .... D7/354  
D665,843 S \* 8/2012 Chuang ..... D19/75  
D668,297 S \* 10/2012 Tello ..... D19/75  
D670,937 S \* 11/2012 Stravitz ..... D6/479  
D673,391 S \* 1/2013 Whitehead ..... D6/682.4  
D674,191 S \* 1/2013 Sakaguchi ..... D3/315  
D681,336 S \* 5/2013 Zhang ..... D3/315  
D698,095 S \* 1/2014 Paculdo ..... D30/121  
D699,009 S \* 2/2014 Hansen et al. .... D30/121  
D699,035 S \* 2/2014 Hazen ..... D3/313  
2002/0084234 A1 \* 7/2002 Chang ..... 211/42  
2005/0051950 A1 \* 3/2005 Greene ..... 273/118 R  
2006/0005774 A1 \* 1/2006 Newman Bornhofen .... 119/61.5  
2006/0213447 A1 \* 9/2006 Kitchen et al. .... 119/61.5  
2008/0141945 A1 \* 6/2008 Markham  
2011/0018197 A1 \* 1/2011 Black ..... 273/153 S

\* cited by examiner

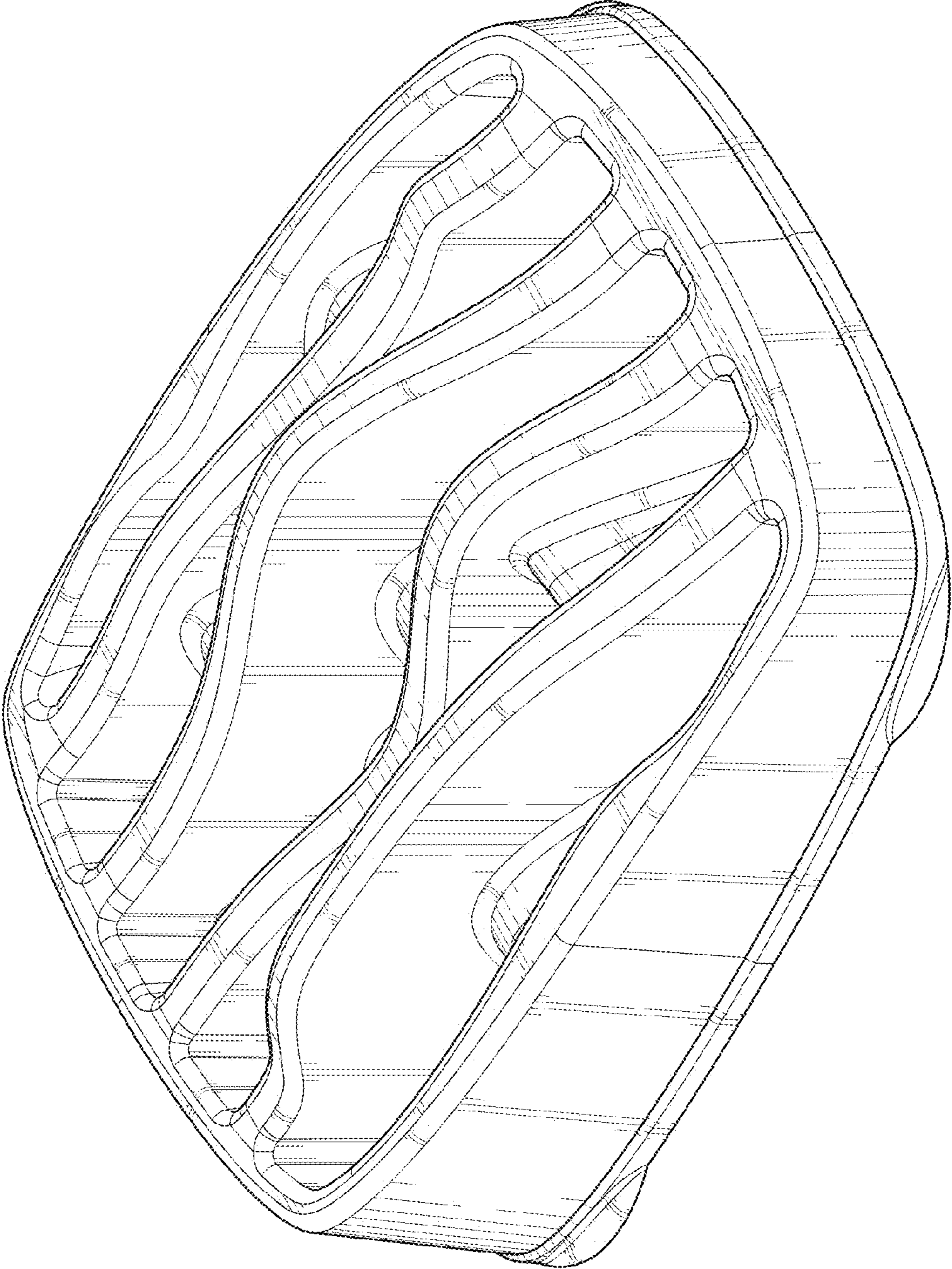


FIG. 1

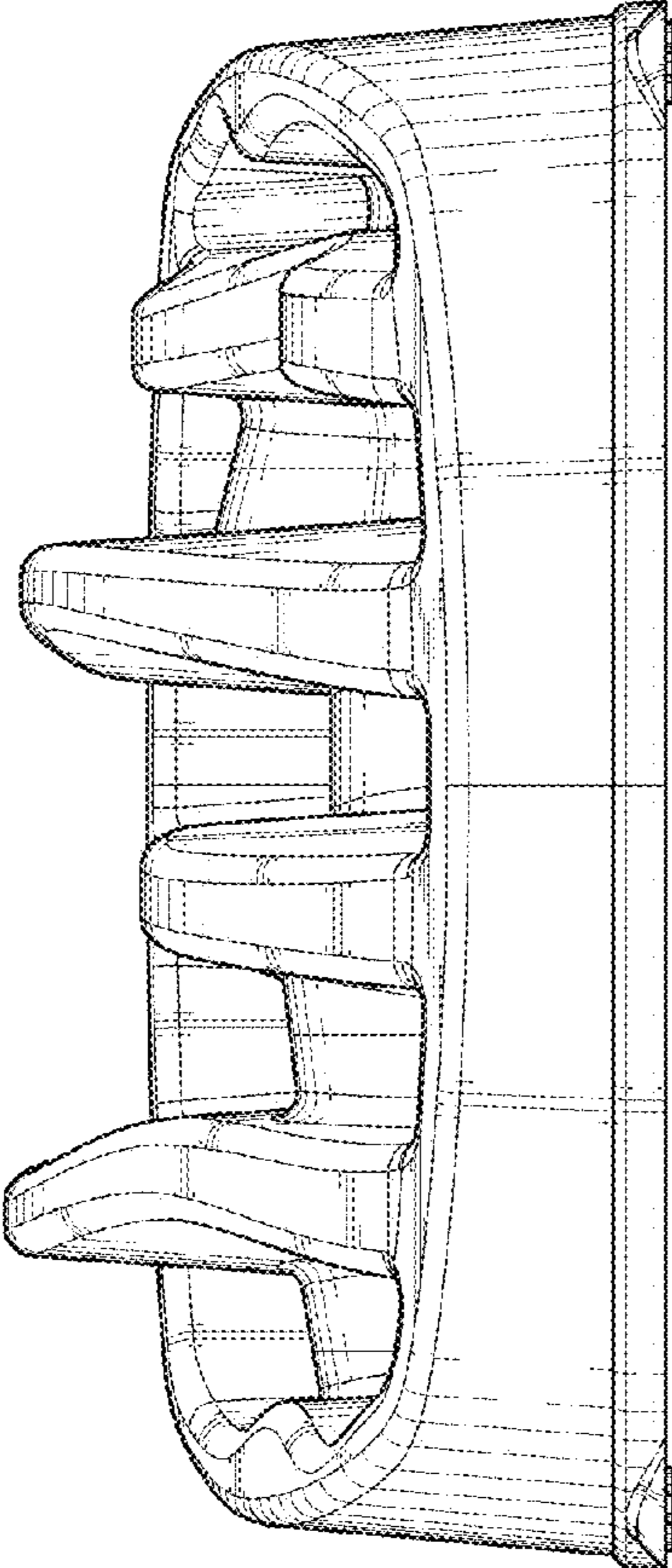


FIG. 2

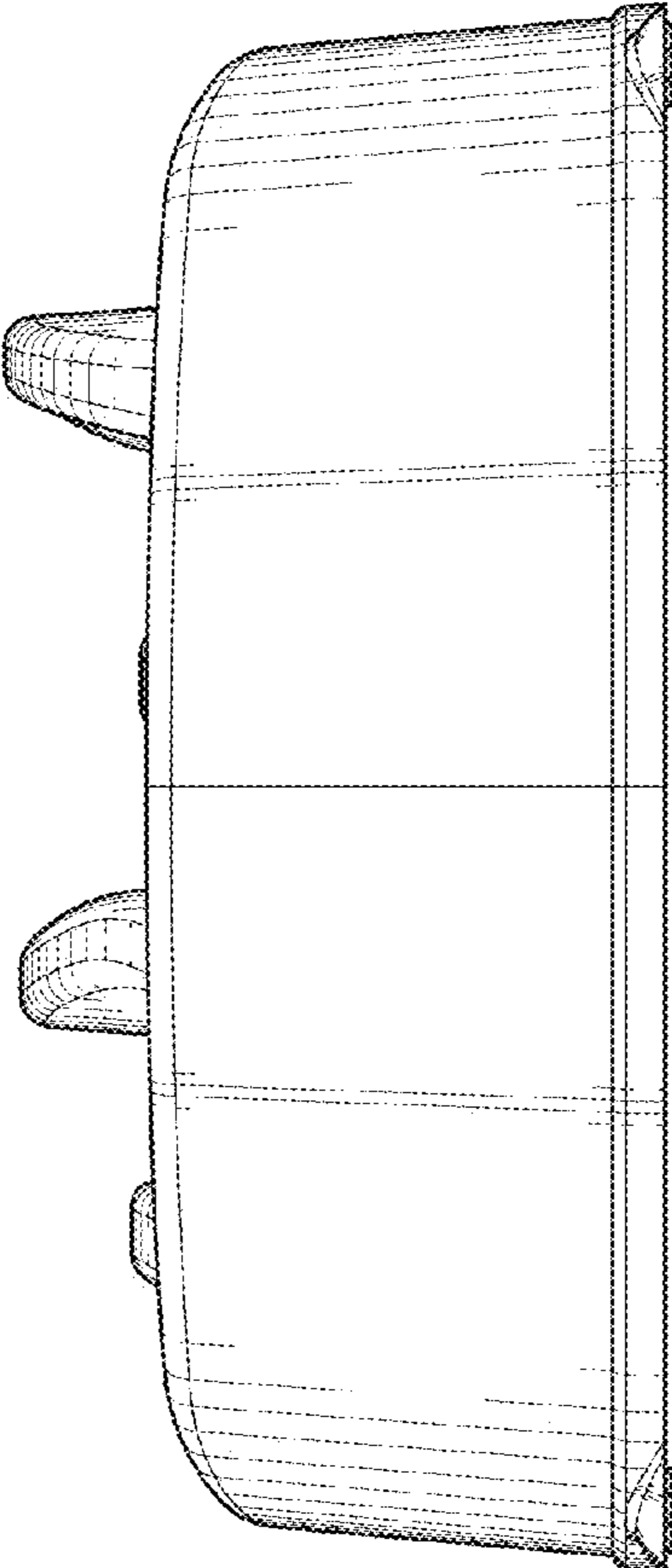


FIG. 3

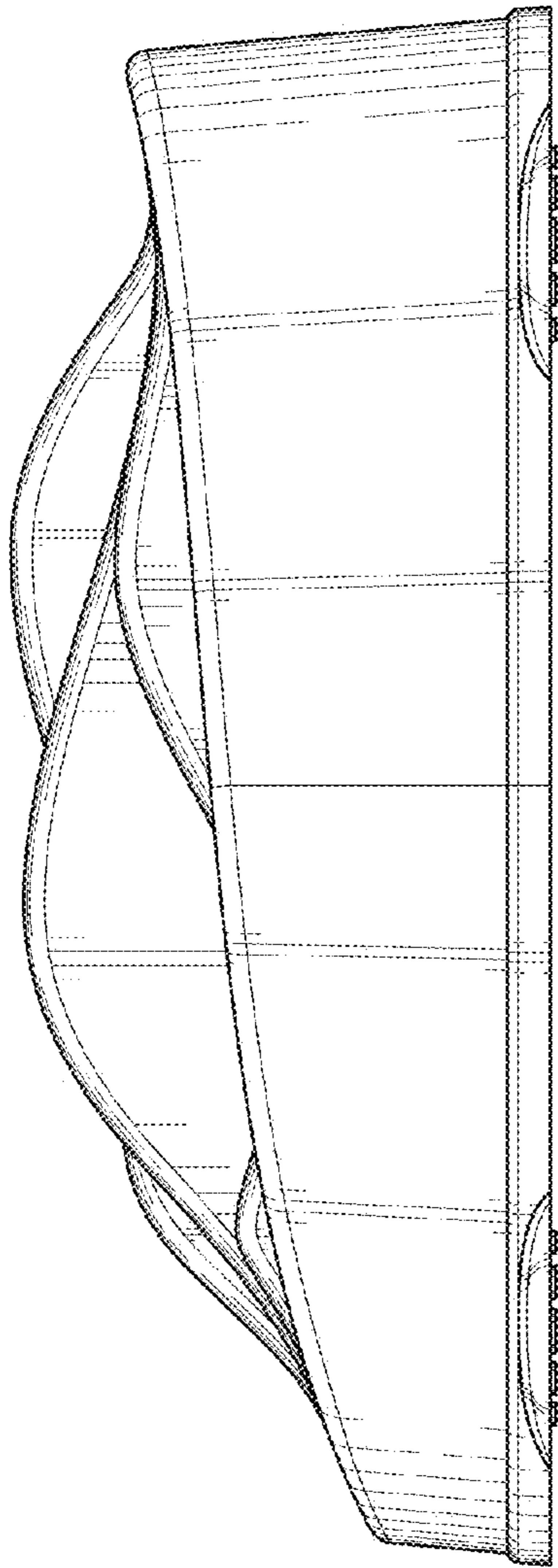


FIG. 4

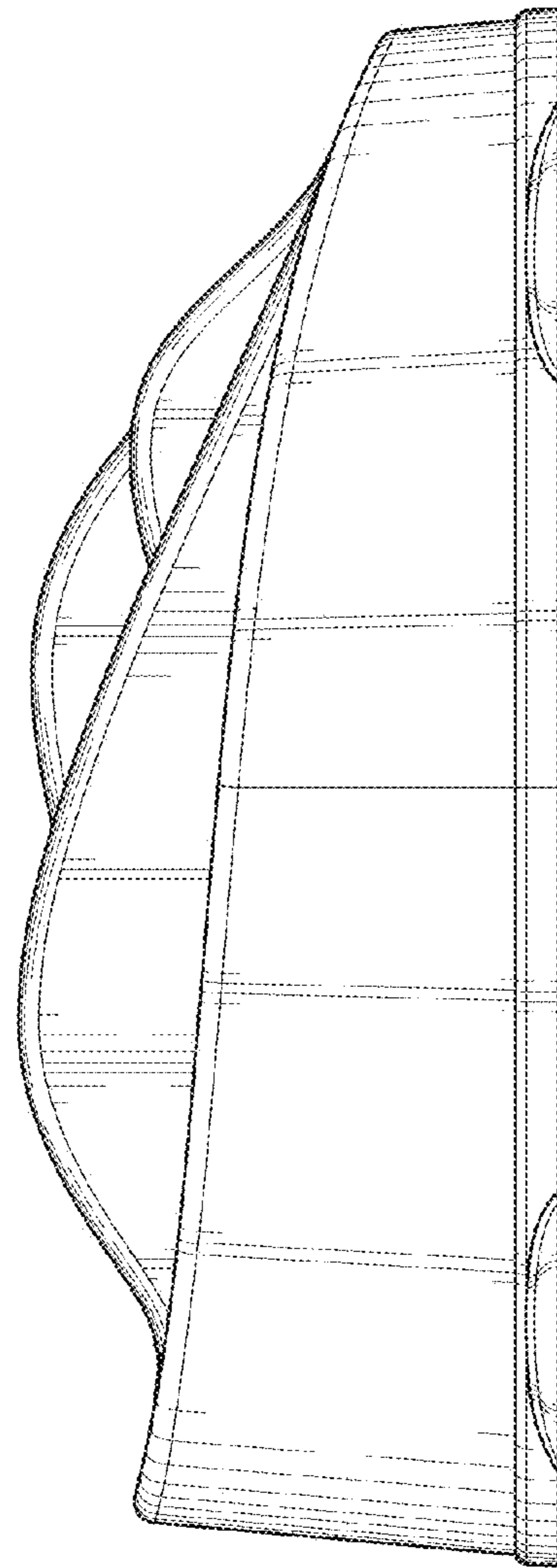


FIG. 5

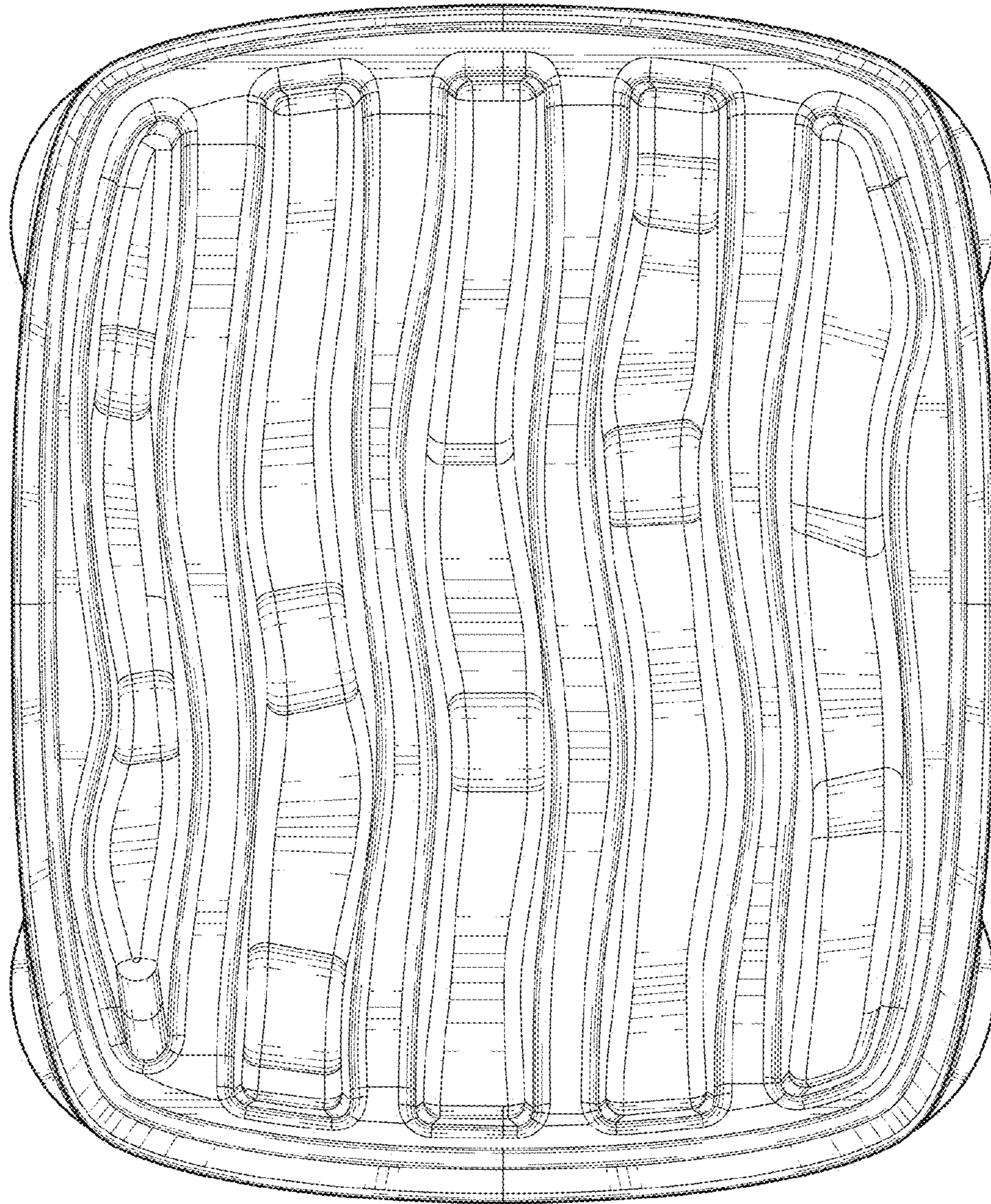


FIG. 6

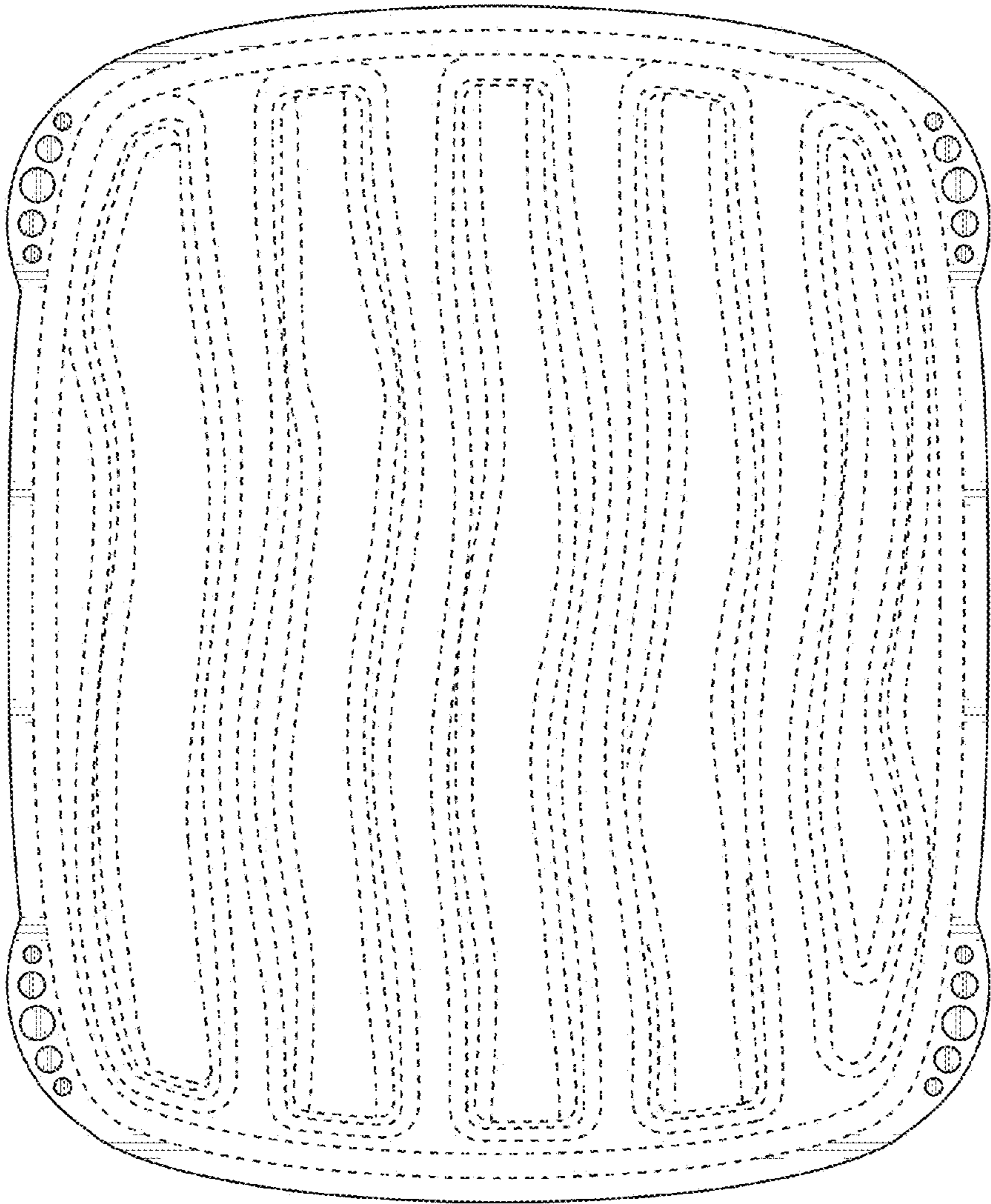


FIG. 7