



US00D706491S

(12) **United States Design Patent**  
**Bratton et al.**

(10) **Patent No.:** **US D706,491 S**  
(45) **Date of Patent:** **\*\* Jun. 3, 2014**

(54) **SPORTS HELMET SHAPED PET HOUSE OR CARRIER**

(71) Applicants: **Robin Renee Bratton**, Conroe, TX (US); **Michelle Dawn Belvin**, Missouri City, TX (US)

(72) Inventors: **Robin Renee Bratton**, Conroe, TX (US); **Michelle Dawn Belvin**, Missouri City, TX (US)

(\*\*) Term: **14 Years**

(21) Appl. No.: **29/461,629**

(22) Filed: **Jul. 25, 2013**

(51) **LOC (10) Cl.** ..... **30-02**

(52) **U.S. Cl.**  
USPC ..... **D30/112**

(58) **Field of Classification Search**  
USPC ..... D30/108, 110, 111, 112, 114, 118, 124, D30/126; 119/28.5, 329, 335, 336, 347, 119/432, 452-453, 461-462, 468, 472-474, 119/482, 487, 501, 512-513, 537, 484, 496, 119/500; D29/106  
See application file for complete search history.

(56) **References Cited**

**U.S. PATENT DOCUMENTS**

D250,444 S \* 12/1978 Danat et al. .... D7/515  
D279,430 S \* 7/1985 McLeroy ..... D6/358  
D317,665 S \* 6/1991 Marshall ..... D30/108

D330,857 S \* 11/1992 Kidd ..... D9/451  
D369,529 S \* 5/1996 Blankenburg et al. .... D7/625  
D383,953 S \* 9/1997 DeFilippo ..... D29/106  
D406,922 S \* 3/1999 Darbutas ..... D30/111  
D408,236 S \* 4/1999 Rennick ..... D29/106  
D417,527 S \* 12/1999 Knuth et al. .... D30/125  
6,564,394 B2 \* 5/2003 Falwell ..... D30/111  
D526,450 S \* 8/2006 Taylor et al. .... D30/111  
D530,456 S \* 10/2006 Taylor et al. .... D30/111  
D552,943 S \* 10/2007 Trinquet et al. .... D7/693  
D591,459 S \* 4/2009 Melerine ..... D30/112  
D608,057 S \* 1/2010 Zagar ..... D30/112  
D616,159 S \* 5/2010 Zagar ..... D30/112

\* cited by examiner

*Primary Examiner* — Cathy A MacCormac

(74) *Attorney, Agent, or Firm* — Kevin Mark Jones

(57) **CLAIM**

An ornamental design for a sports helmet shaped pet house or carrier, substantially as shown and described.

**DESCRIPTION**

FIG. 1 is a perspective view of a sports helmet shaped pet house or carrier.

FIG. 2 is a back view thereof.

FIG. 3 is a front view thereof.

FIG. 4 is a right side view thereof.

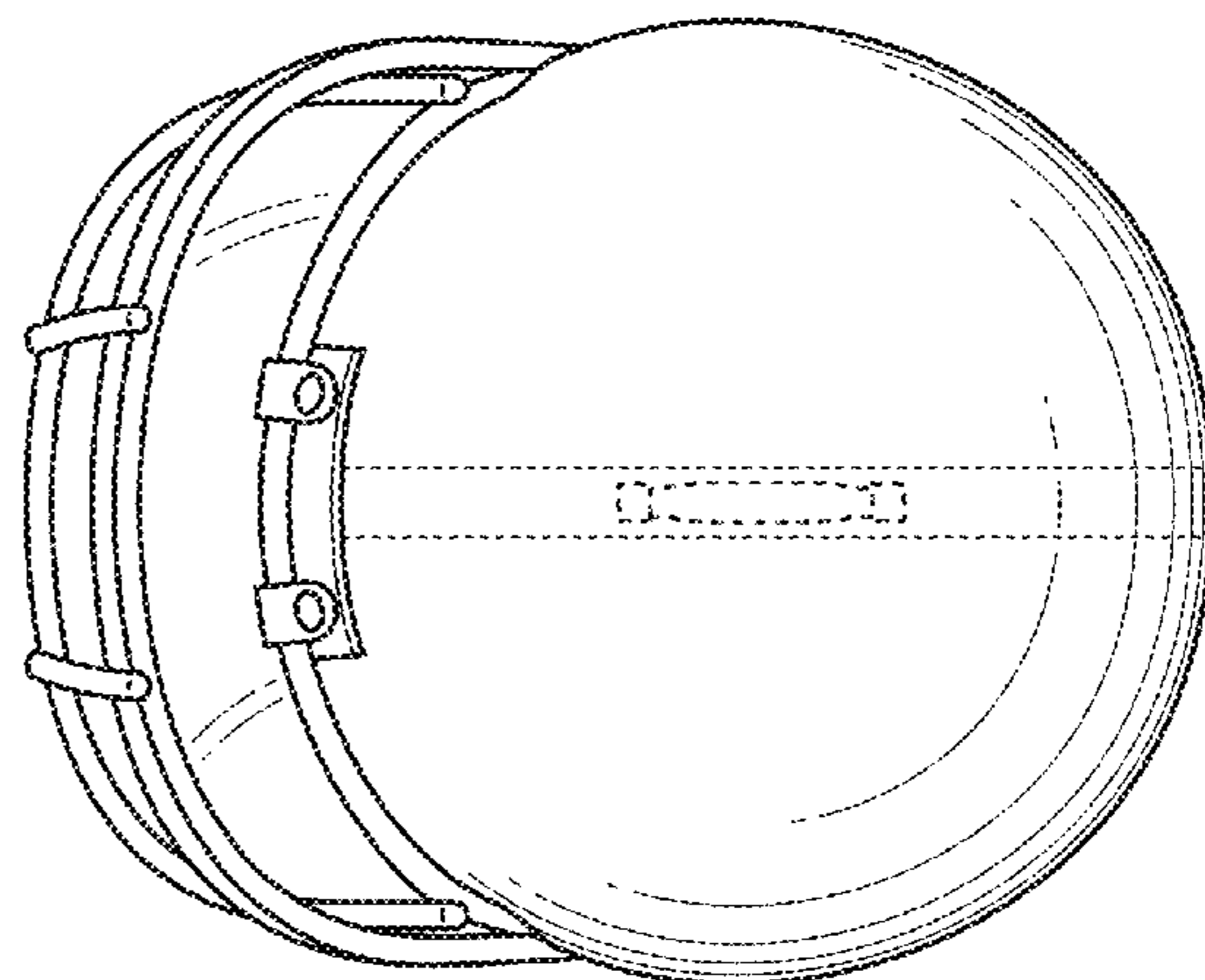
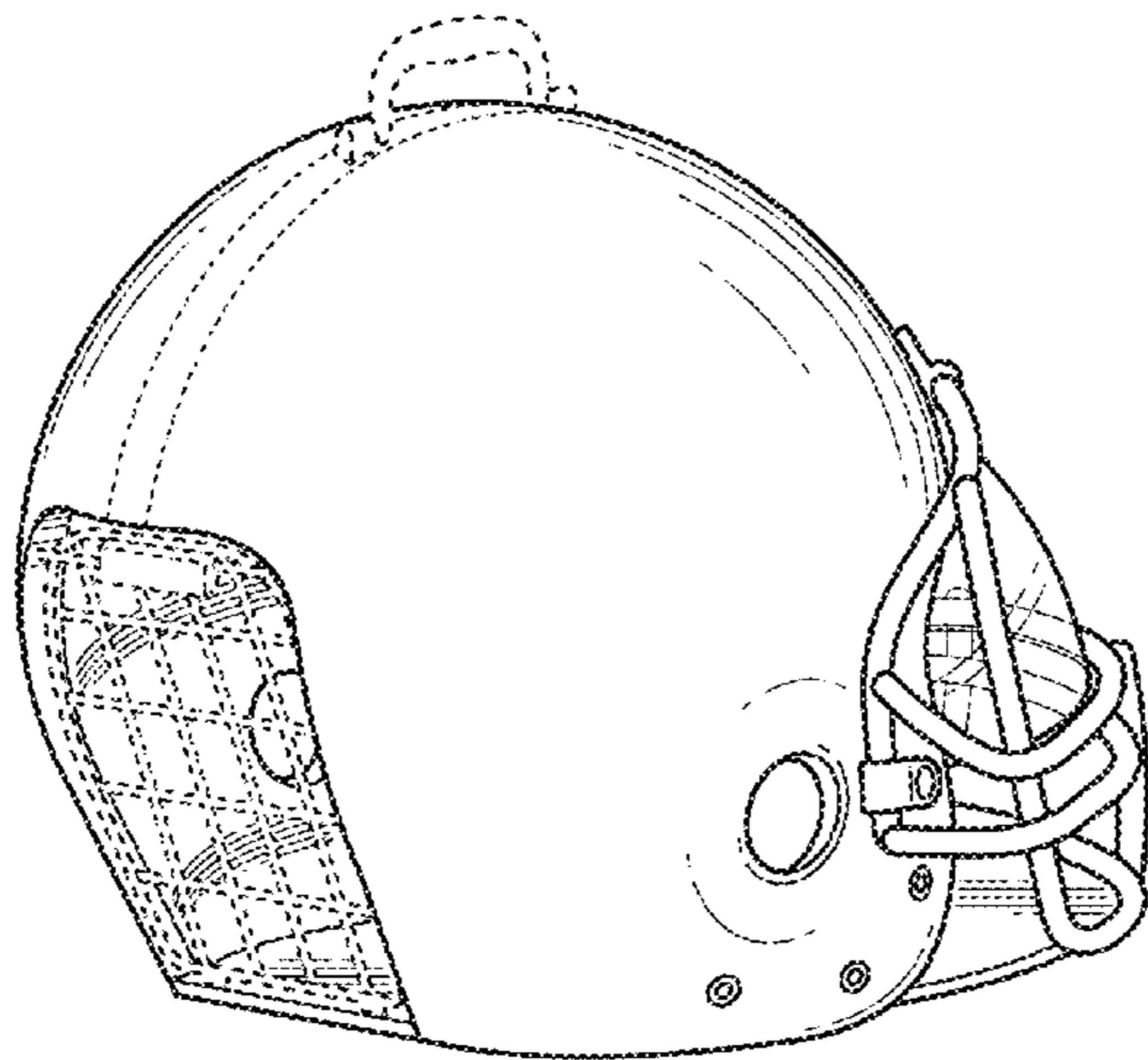
FIG. 5 is a left side view thereof.

FIG. 6 is a top view thereof; and,

FIG. 7 is a bottom view thereof.

The broken lines are for illustration only and form no part of the claimed design.

**1 Claim, 4 Drawing Sheets**



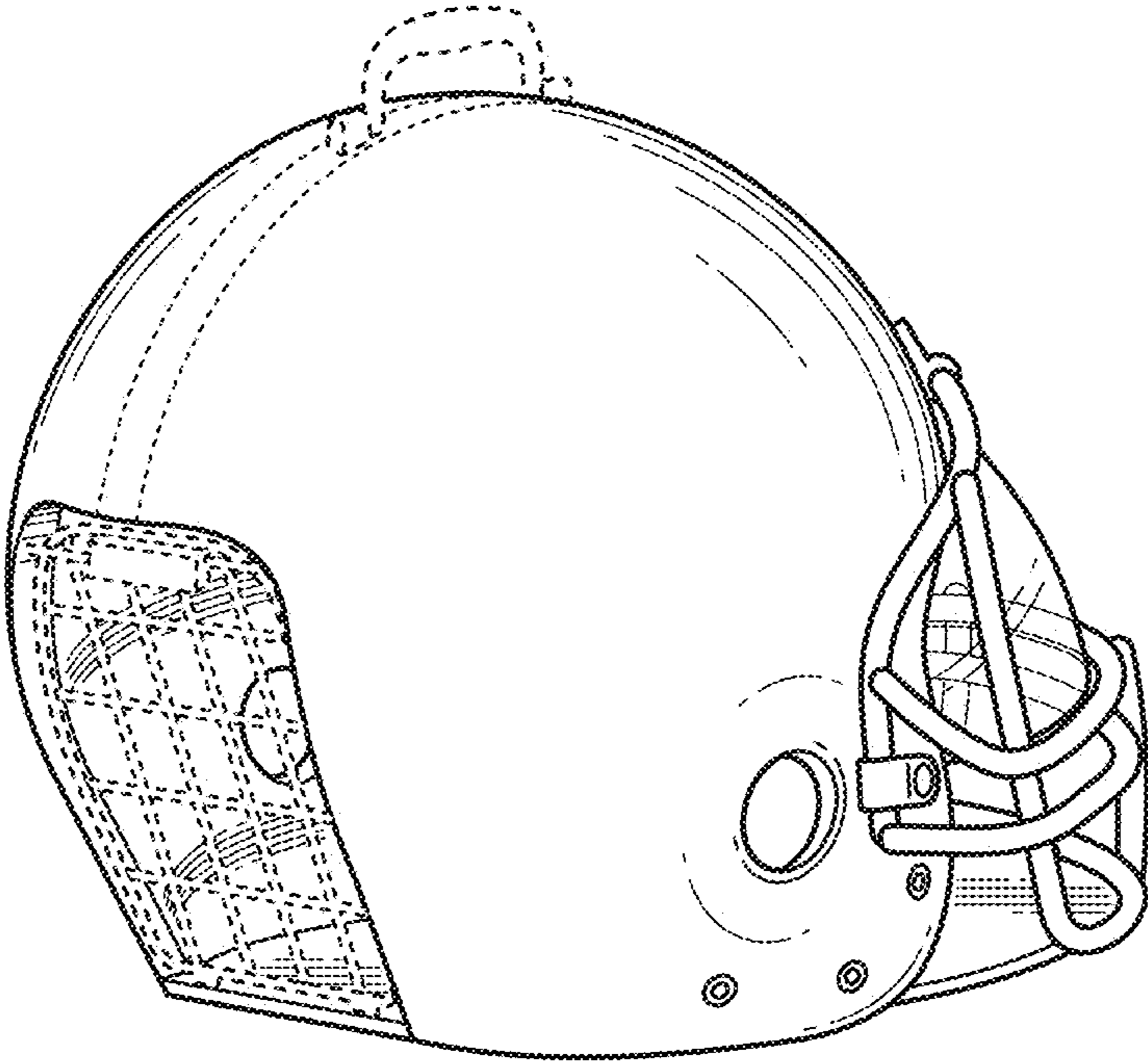


FIG. 1

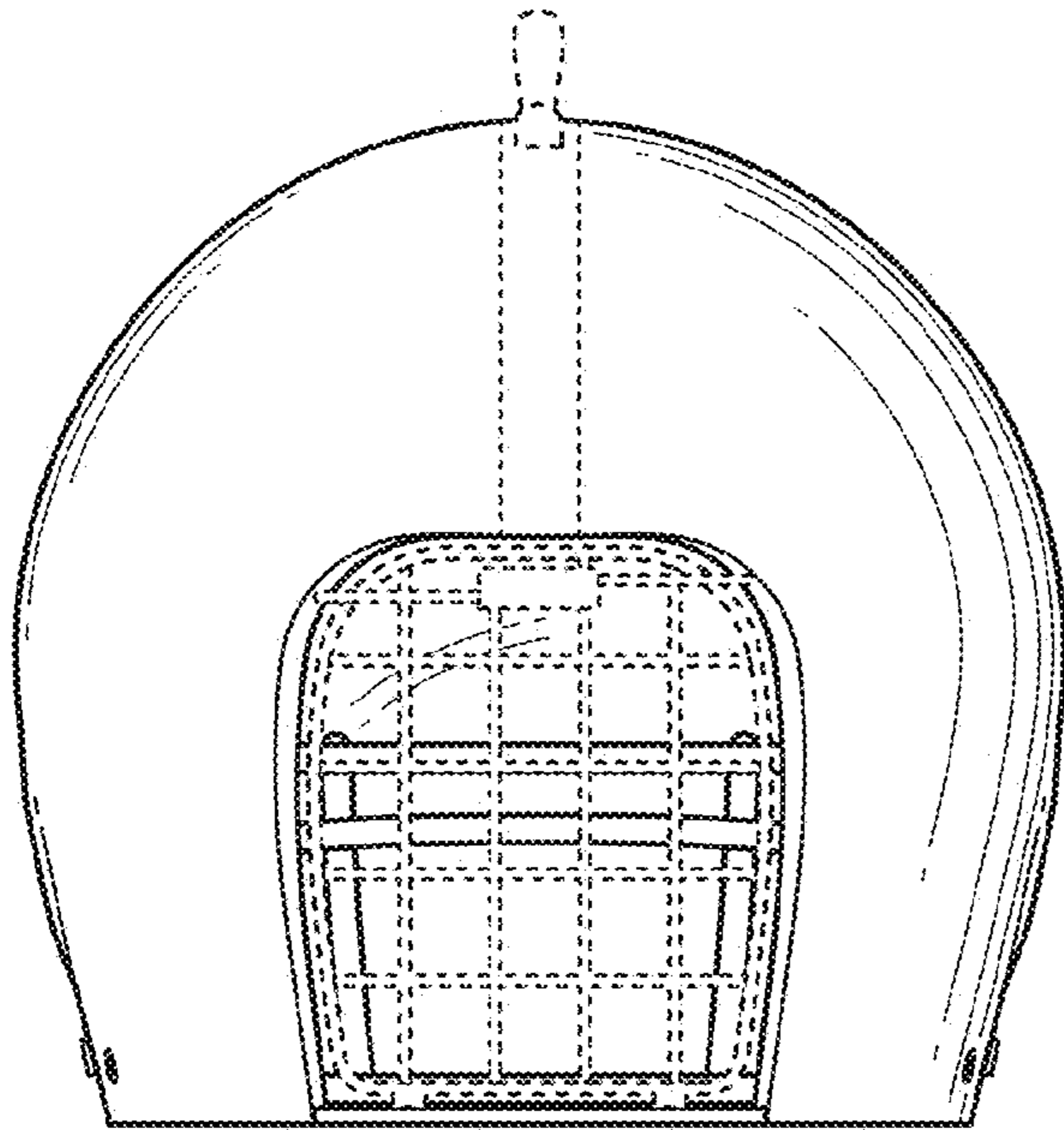


FIG. 2

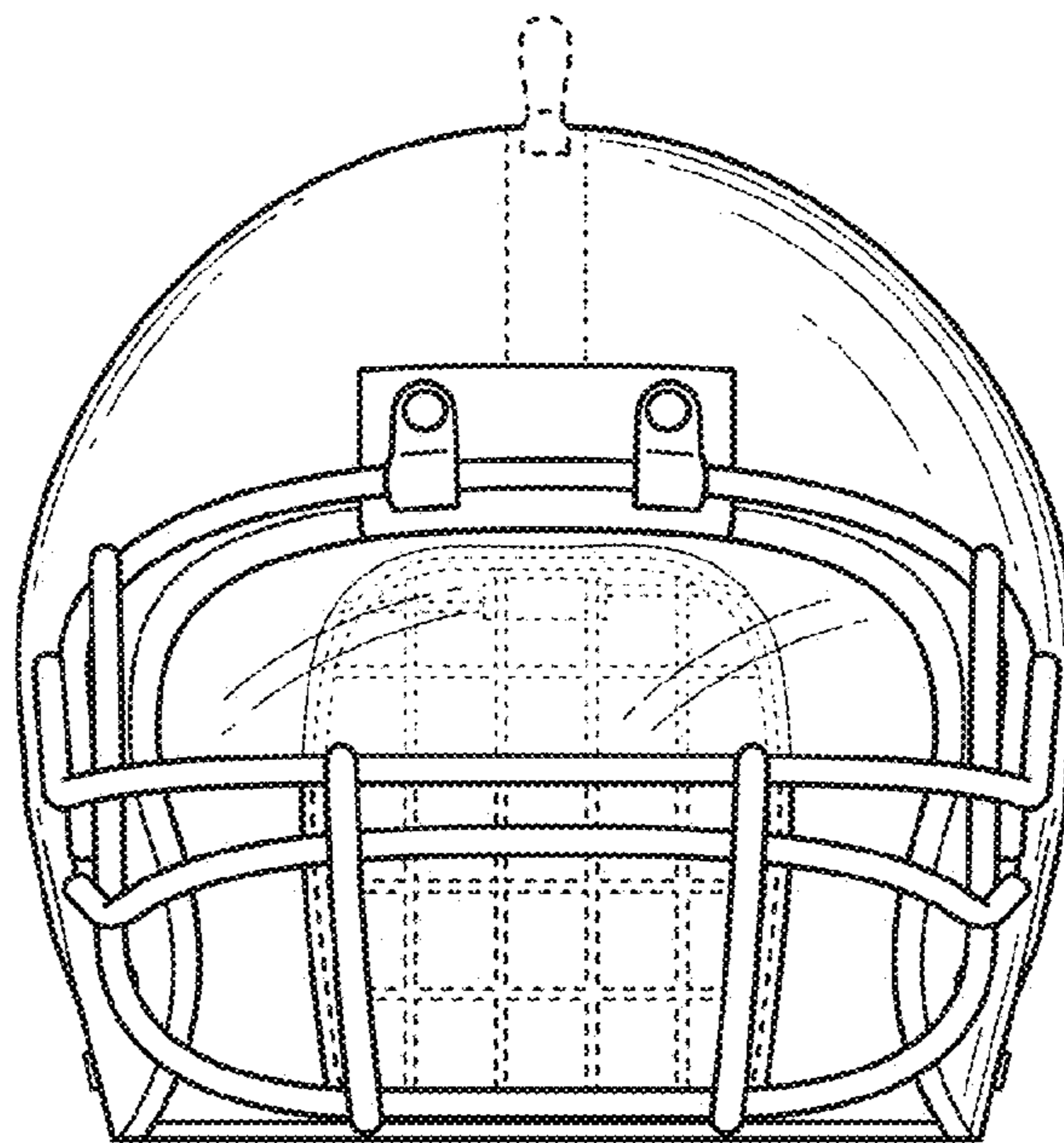


FIG. 3

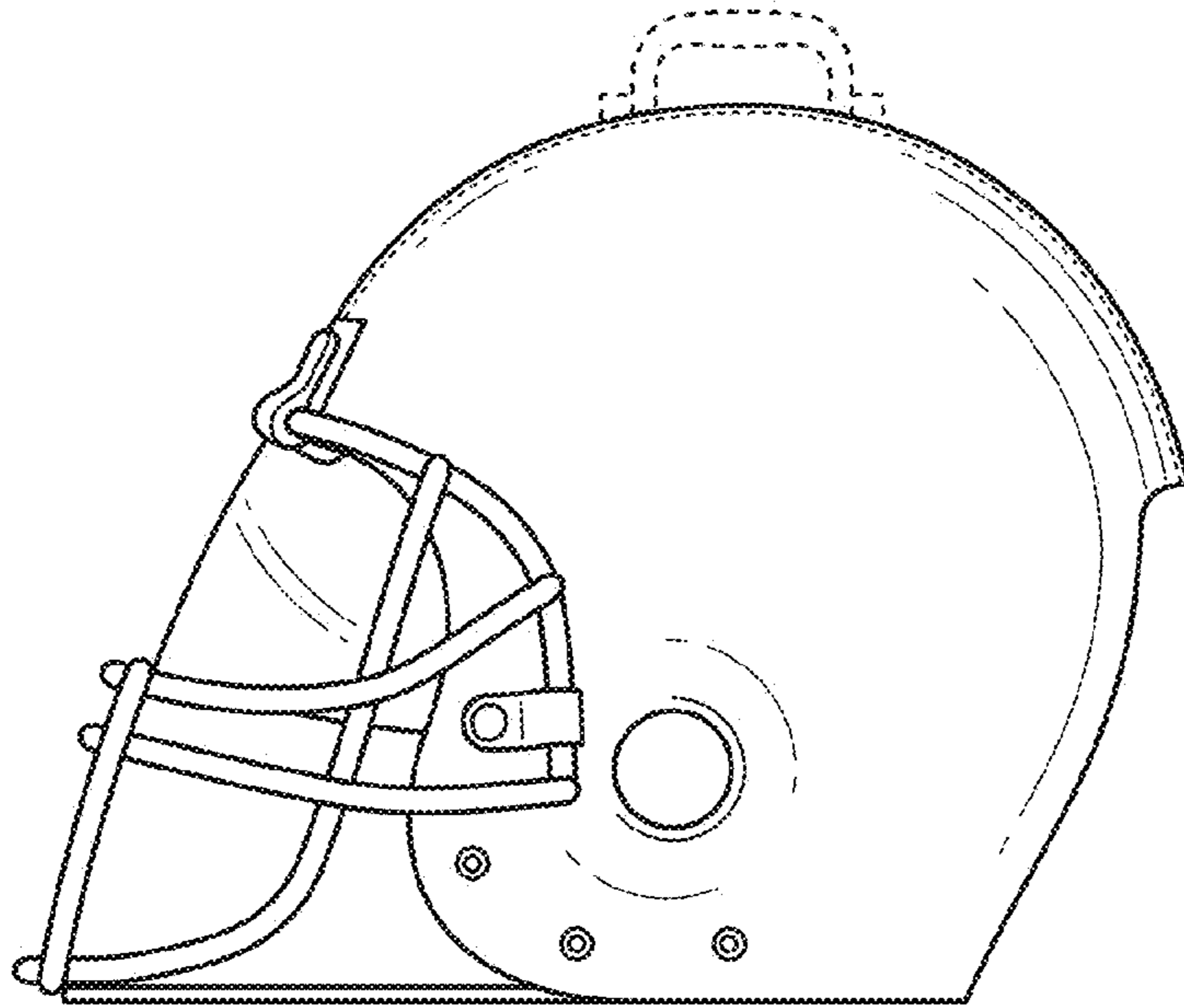


FIG. 4

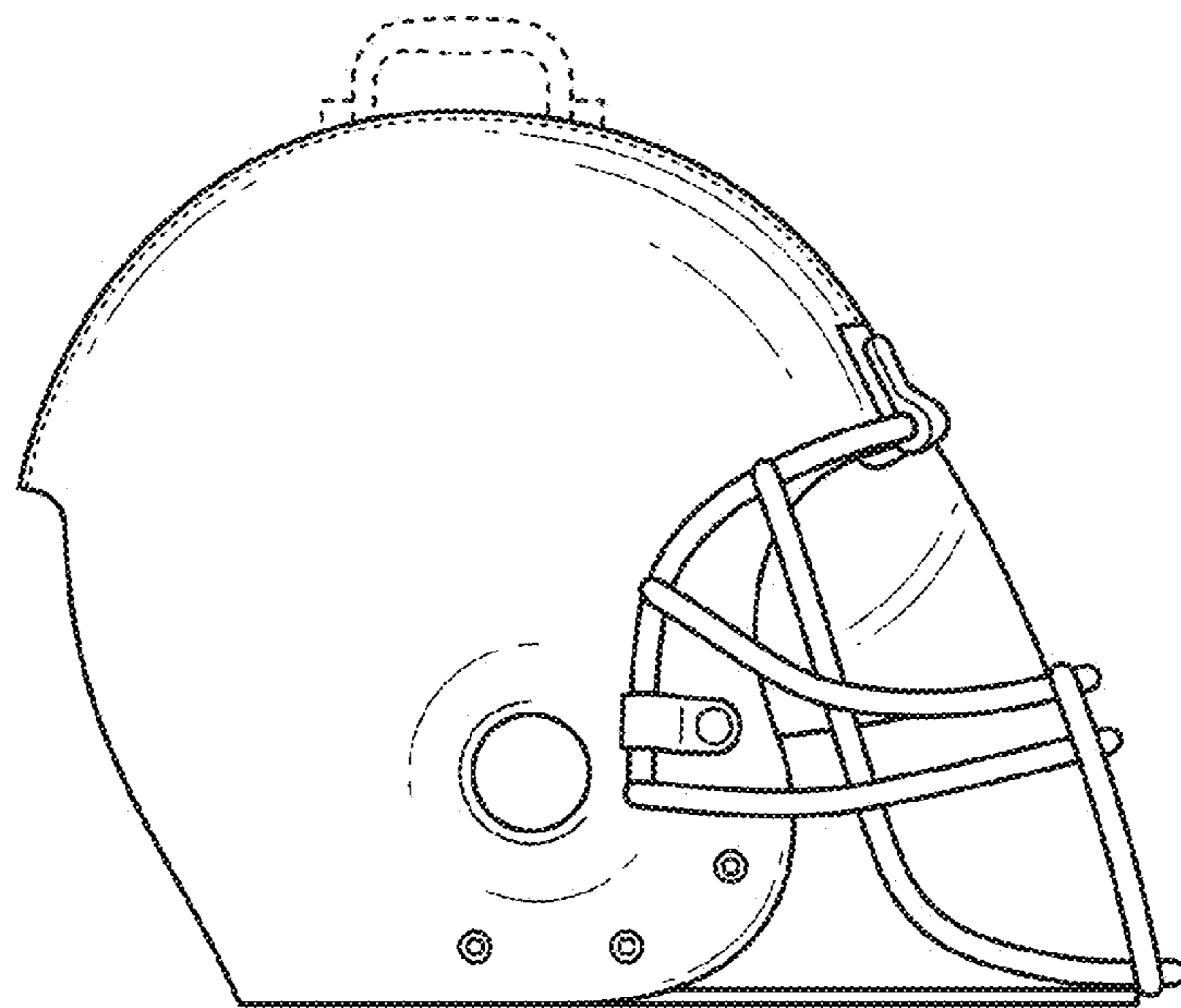


FIG. 5



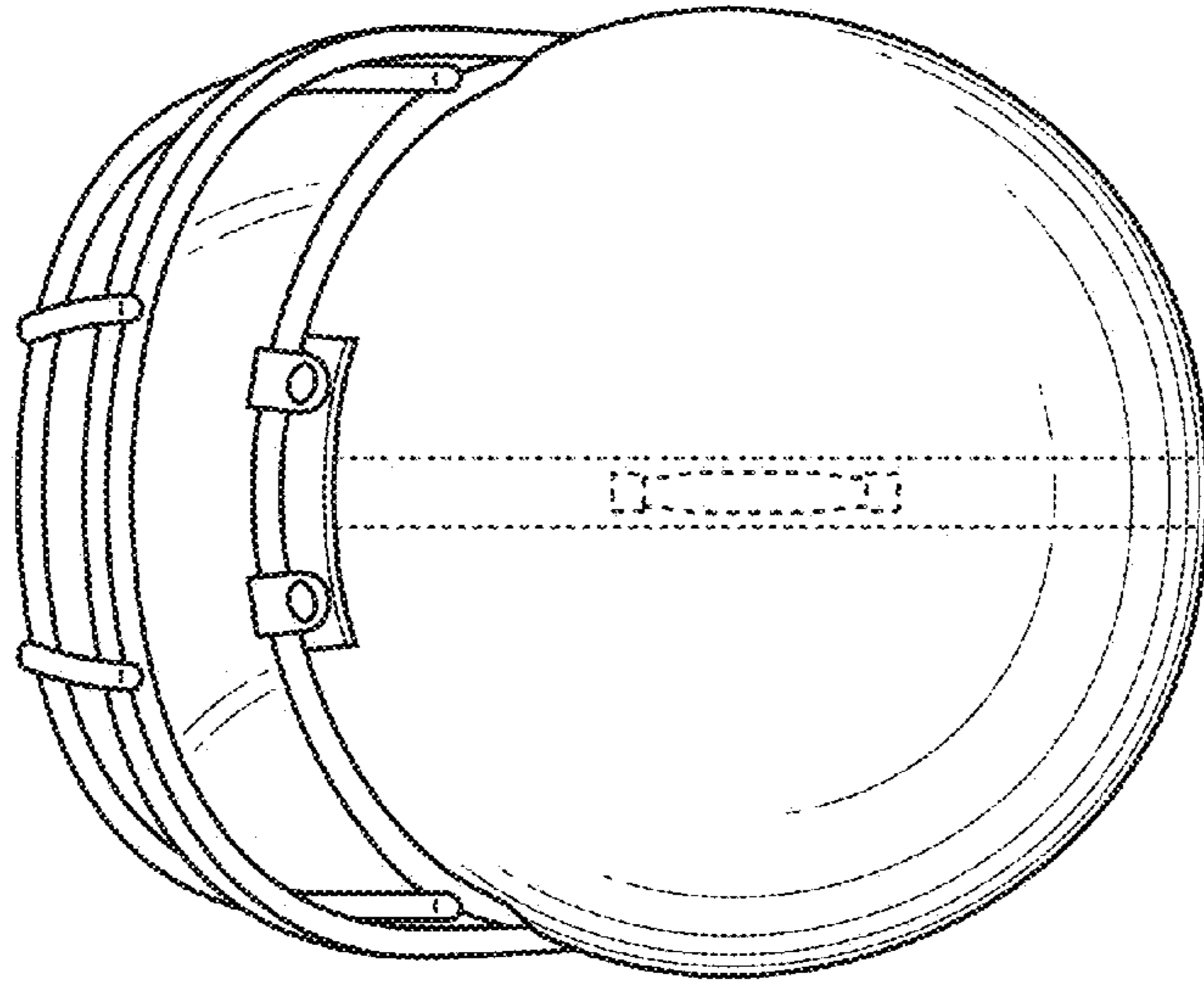


FIG. 6

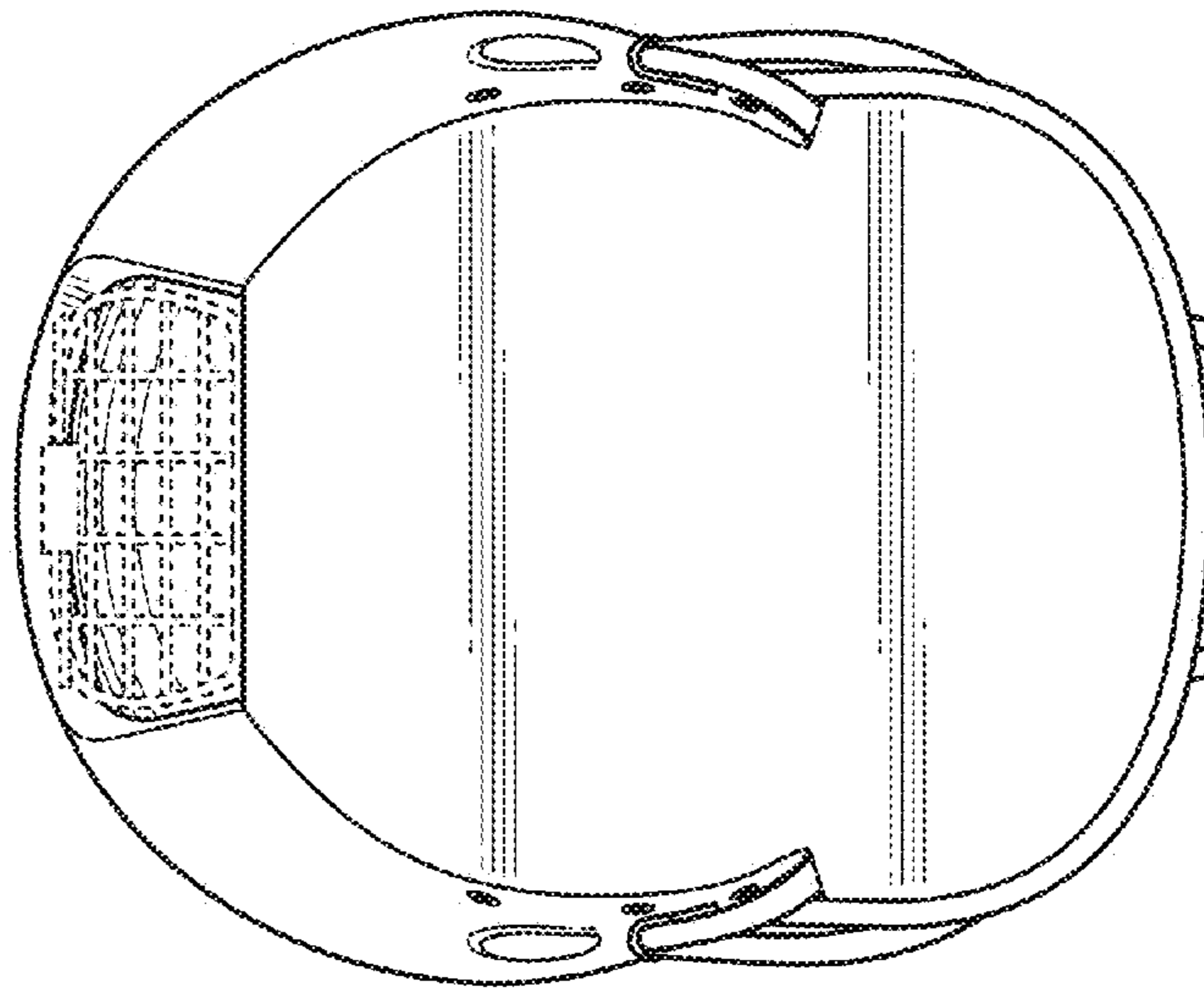


FIG. 7