



US00D706487S

(12) **United States Design Patent**
Yiu

(10) **Patent No.:** **US D706,487 S**
(45) **Date of Patent:** **** Jun. 3, 2014**

- (54) **ACCESSORY FOR A COSMETIC DEVICE**
 - (71) Applicant: **Forstar Limited**, Kowloon (HK)
 - (72) Inventor: **Wai Wah Yiu**, Kowloon (HK)
 - (73) Assignee: **Forstar Limited**, Kowloon (HK)
 - (**) Term: **14 Years**
 - (21) Appl. No.: **29/433,639**
 - (22) Filed: **Oct. 2, 2012**
 - (51) **LOC (10) Cl.** **28-03**
 - (52) **U.S. Cl.**
USPC **D28/62; D28/54**
 - (58) **Field of Classification Search**
USPC D28/49-54, 44-48; 30/34.05, 32, 34.1,
30/34.2, 43-43.92, 526-527, 44-45, 341,
30/272.1, 226-227, 231, 233-233.5, 537,
30/539-540; D24/146, 133; 606/131-134;
607/88
- See application file for complete search history.

- 6,471,712 B2 10/2002 Burres
- 6,523,546 B2 2/2003 Jo et al.
- 6,551,262 B1 4/2003 Lechtman
- 6,824,461 B1 11/2004 Dolev
- 6,824,546 B1 11/2004 Yiu
- D499,842 S 12/2004 Yiu

(Continued)

OTHER PUBLICATIONS

U.S. Appl. No. 29/386,882, filed Mar. 4, 2011, Yiu, Wai Wah.

(Continued)

Primary Examiner — Jennifer Rivard

(74) *Attorney, Agent, or Firm* — Foley & Lardner LLP

(57) **CLAIM**

I claim the ornamental design for an accessory for a cosmetic device, as shown and described.

DESCRIPTION

FIG. 1 is a top, right, front perspective view of an embodiment of the claimed design;

FIG. 2 is a top, right, rear perspective view thereof;

FIG. 3 is a front elevation view thereof;

FIG. 4 is a rear elevation view thereof;

FIG. 5 is a left elevation view thereof;

FIG. 6 is a right elevation view thereof;

FIG. 7 is a top plan view thereof;

FIG. 8 is a bottom plan view thereof; and,

FIG. 9 is a bottom, rear perspective view thereof as viewed from line IX-IX in FIG. 6 and having the cosmetic device removed.

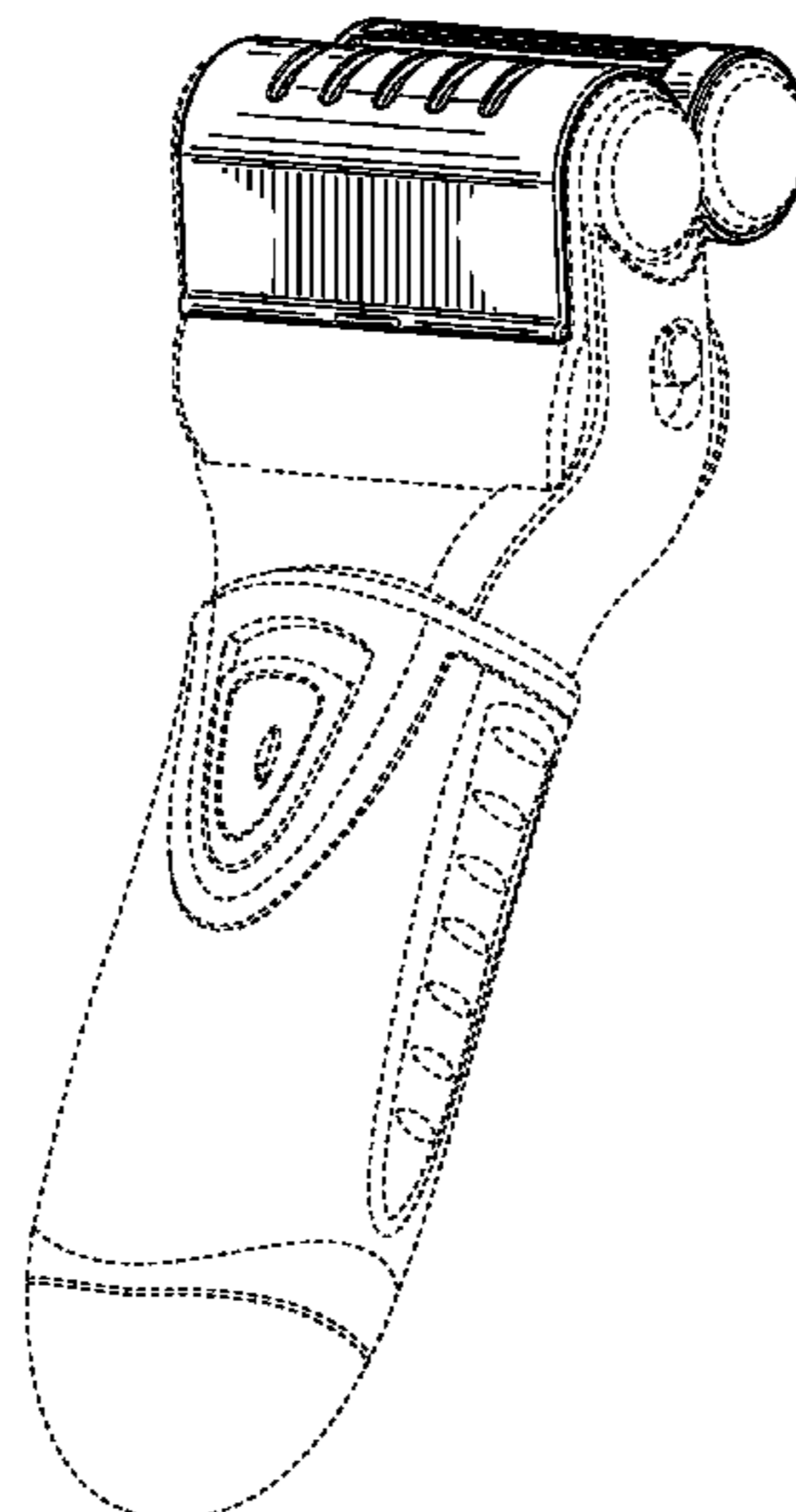
The ornamental design which is claimed is shown in solid lines in the drawings. The broken lines in the drawings illustrate the environment and form no part of the claimed design. The section line IX-IX in FIG. 6 is provided to facilitate the reader's understanding of the view of FIG. 9 and forms no part of the claimed design.

1 Claim, 8 Drawing Sheets

(56) **References Cited**

U.S. PATENT DOCUMENTS

1,482,837	A	2/1924	Buck	
2,608,756	A *	9/1952	Jepson	30/540
2,867,214	A	1/1959	Wilson	
2,936,768	A	5/1960	Chamberlain	
3,581,393	A	6/1971	Yager	
4,935,184	A	6/1990	Sorensen	
5,033,485	A	7/1991	Hauerwas et al.	
5,095,621	A *	3/1992	Rapp	30/539
5,281,233	A	1/1994	Dolev	
5,377,699	A	1/1995	Varnum	
5,383,273	A	1/1995	Muller et al.	
D409,335	S	5/1999	Slater	
5,976,157	A	11/1999	Yiu	
6,123,713	A	9/2000	Yiu	
6,159,222	A	12/2000	Yiu	
6,391,034	B1	5/2002	Adamson et al.	
6,436,106	B2	8/2002	Yiu	



(56)

References Cited

U.S. PATENT DOCUMENTS

D509,626 S 9/2005 Yiu
 D512,531 S * 12/2005 Khubani et al. D28/51
 D535,057 S * 1/2007 Hara D28/49
 D540,986 S * 4/2007 Lamason et al. D28/50
 D556,380 S 11/2007 Long
 D581,596 S 11/2008 Sarway
 D598,165 S 8/2009 Platek
 7,581,545 B1 9/2009 Moldawski et al.
 7,597,696 B2 10/2009 Poran
 D611,198 S 3/2010 Platek
 D626,693 S 11/2010 Harbeke
 D628,744 S 12/2010 Goetschi
 D638,166 S 5/2011 Martinez De San Vicente
 D645,204 S 9/2011 Platek
 D646,438 S * 10/2011 Leventhal et al. D28/51
 D676,200 S 2/2013 Yiu
 D678,614 S 3/2013 Yiu
 D681,277 S 4/2013 Yiu
 2004/0010268 A1 * 1/2004 Gabehart 606/131

2005/0187563 A1 8/2005 Yiu
 2006/0260629 A1 11/2006 Chern
 2008/0187563 A1 8/2008 Levy
 2009/0182349 A1 7/2009 Poran
 2009/0301507 A1 12/2009 Tes et al.
 2011/0203124 A1 * 8/2011 Bridges et al. 30/539
 2011/0225833 A1 * 9/2011 Hoffman 30/538

OTHER PUBLICATIONS

U.S. Appl. No. 29/408,409, filed Dec. 12, 2011, Yiu, Wai Wah.
 U.S. Appl. No. 29/424,848, filed Jun. 15, 2012, Yiu, Wai Wah.
 U.S. Appl. No. 29/450,476, filed Mar. 18, 2013, Soft Lines International, Ltd.
 U.S. Appl. No. 29/433,639, filed Oct. 2, 2012, Forstar Limited.
 U.S. Appl. No. 29/435,131, filed Oct. 19, 2012, Soft Lines International, Ltd.
 U.S. Appl. No. 29/440,569, filed Dec. 21, 2012, Forstar Limited.
 U.S. Appl. No. 29/444,220, filed Jan. 28, 2013, Soft Lines International, Ltd.

* cited by examiner

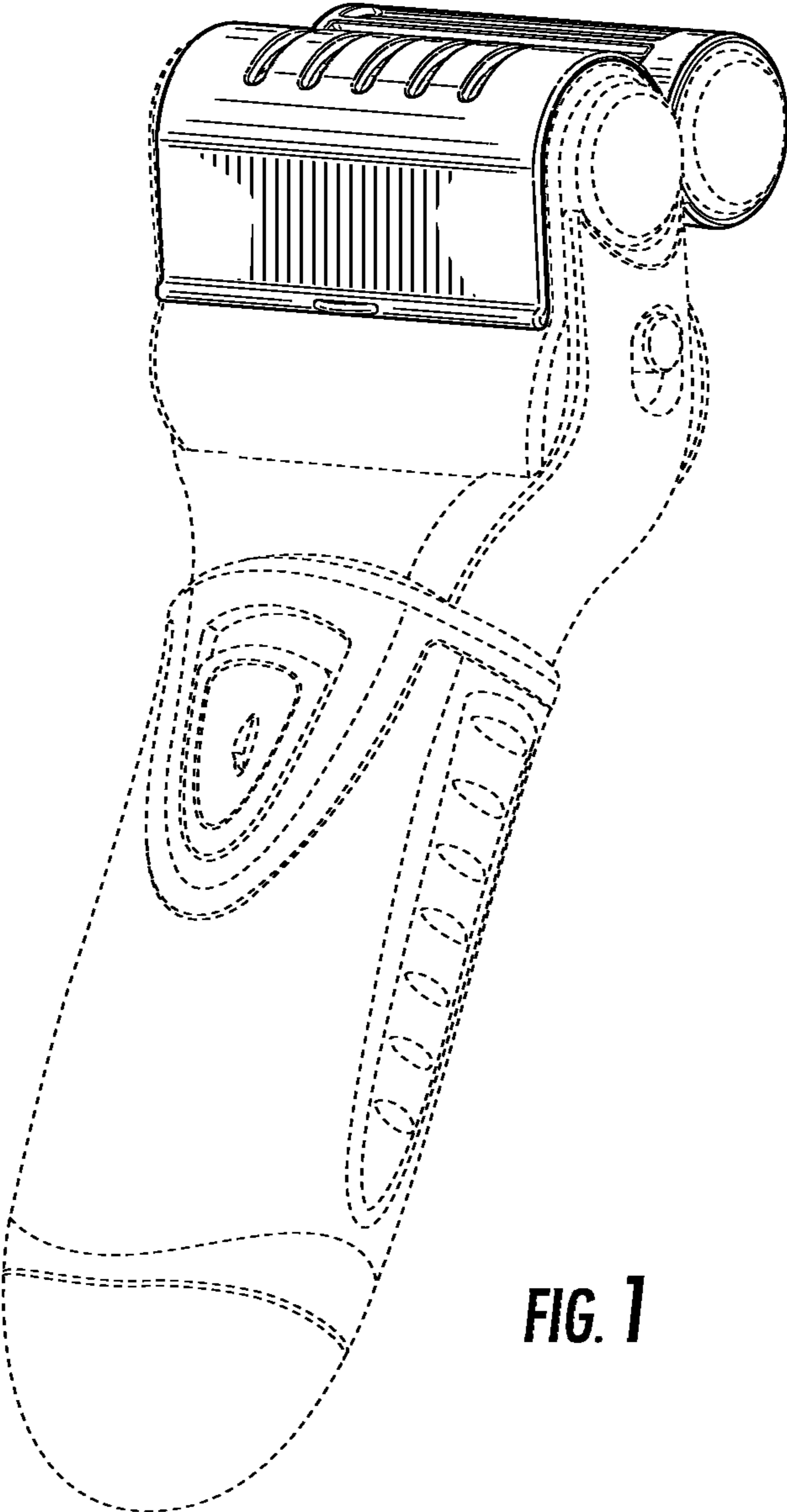


FIG. 1

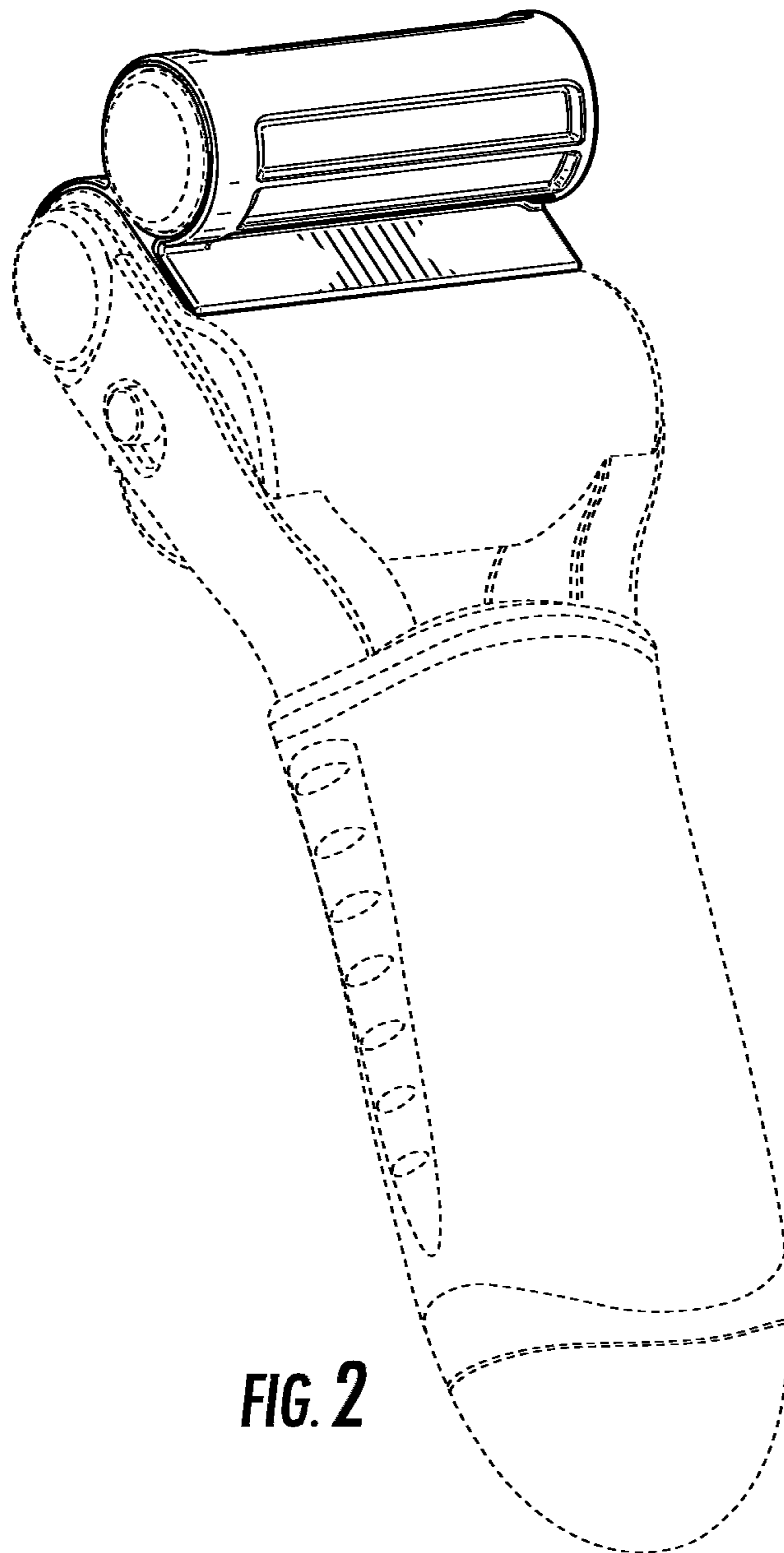


FIG. 2

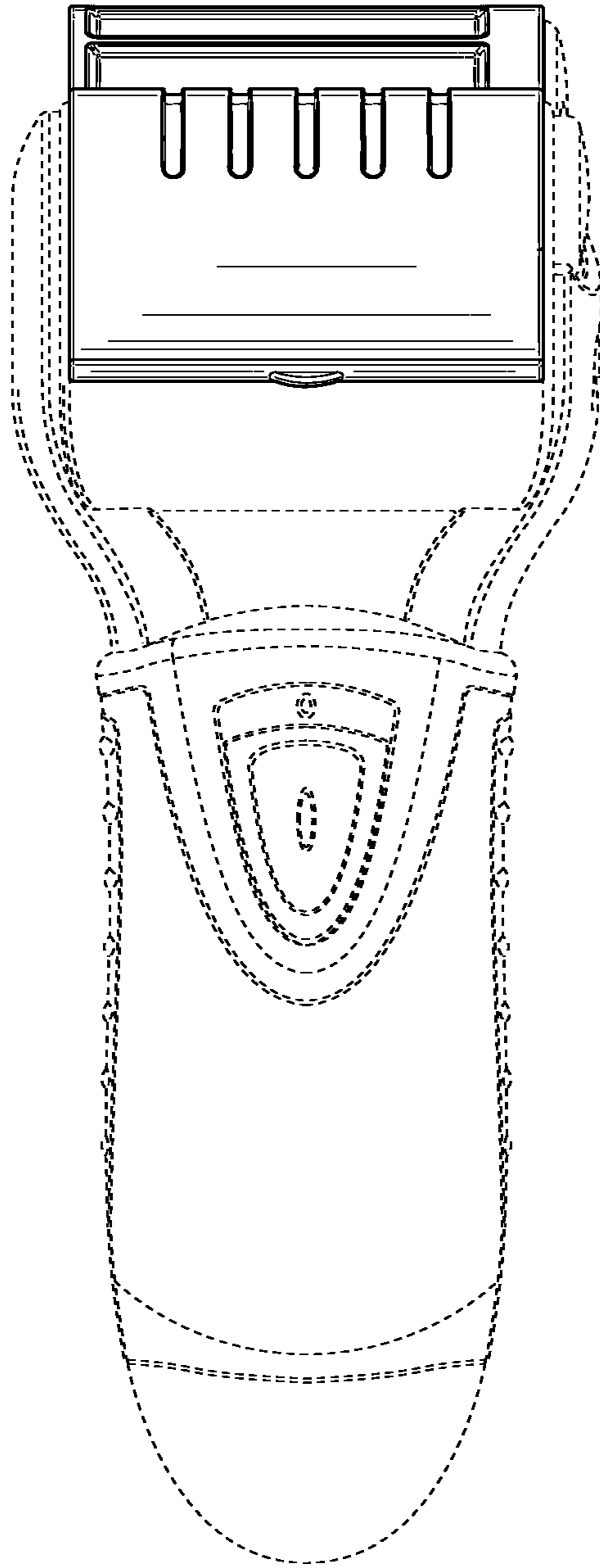


FIG. 3

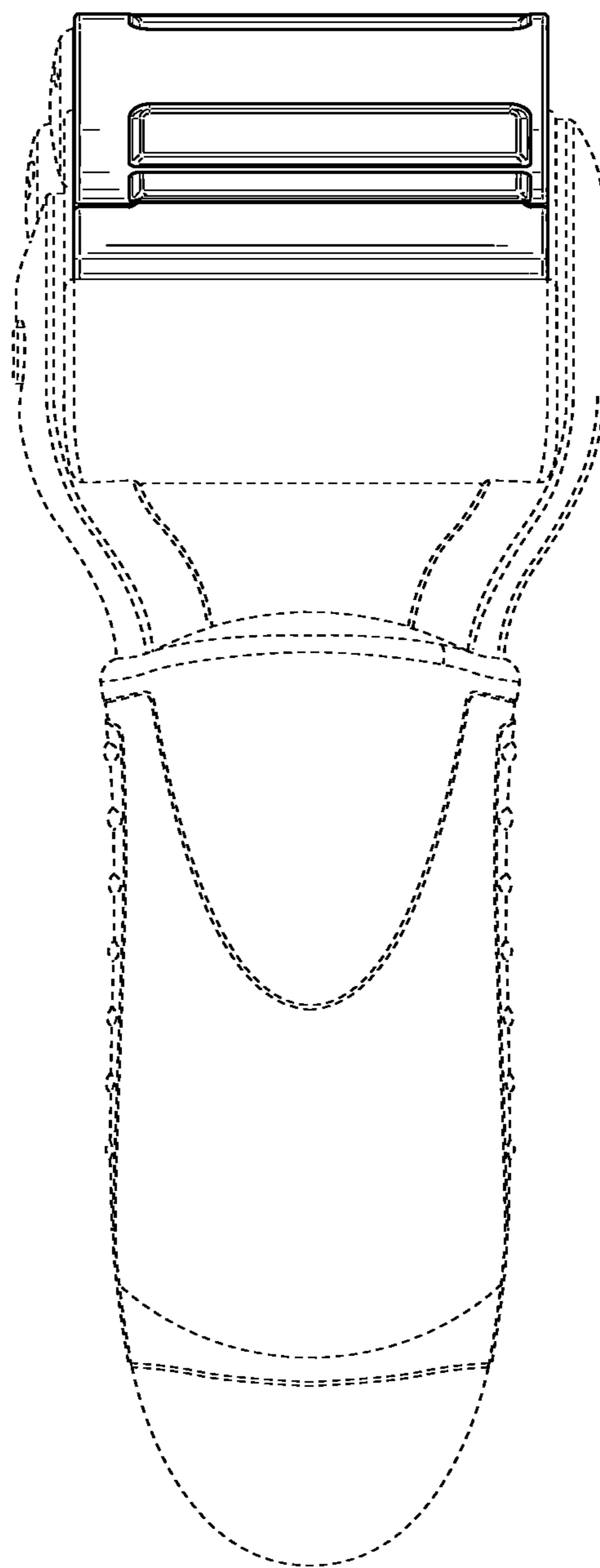


FIG. 4

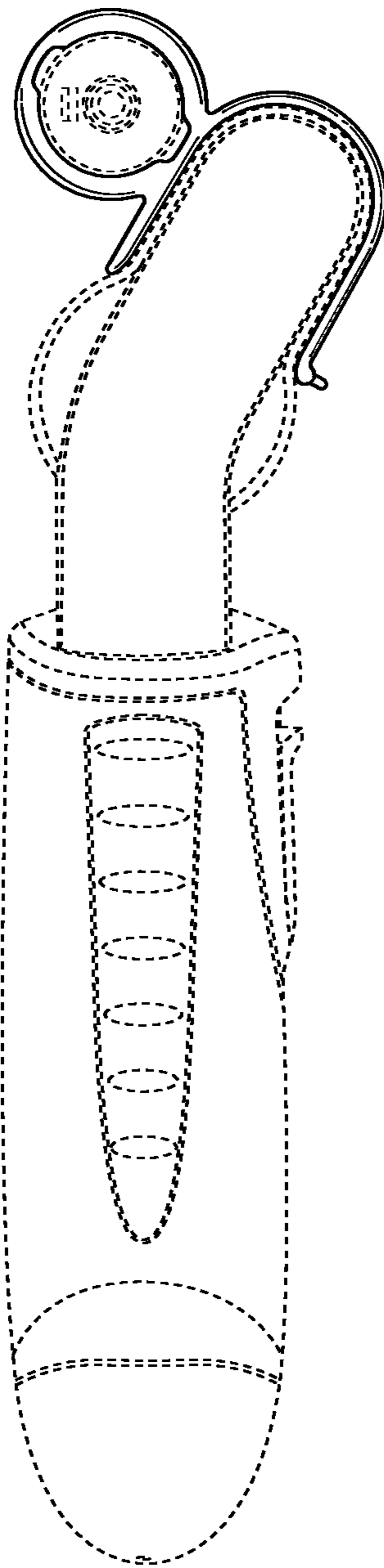


FIG. 5

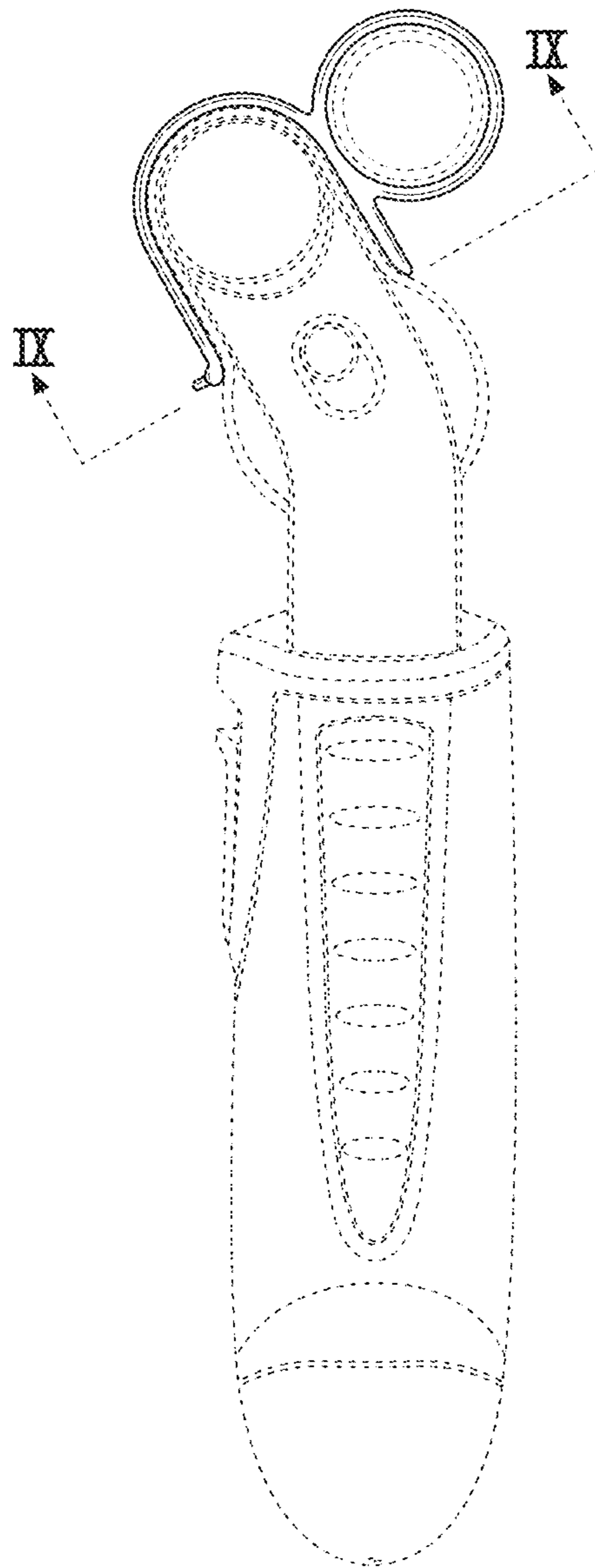


FIG. 6

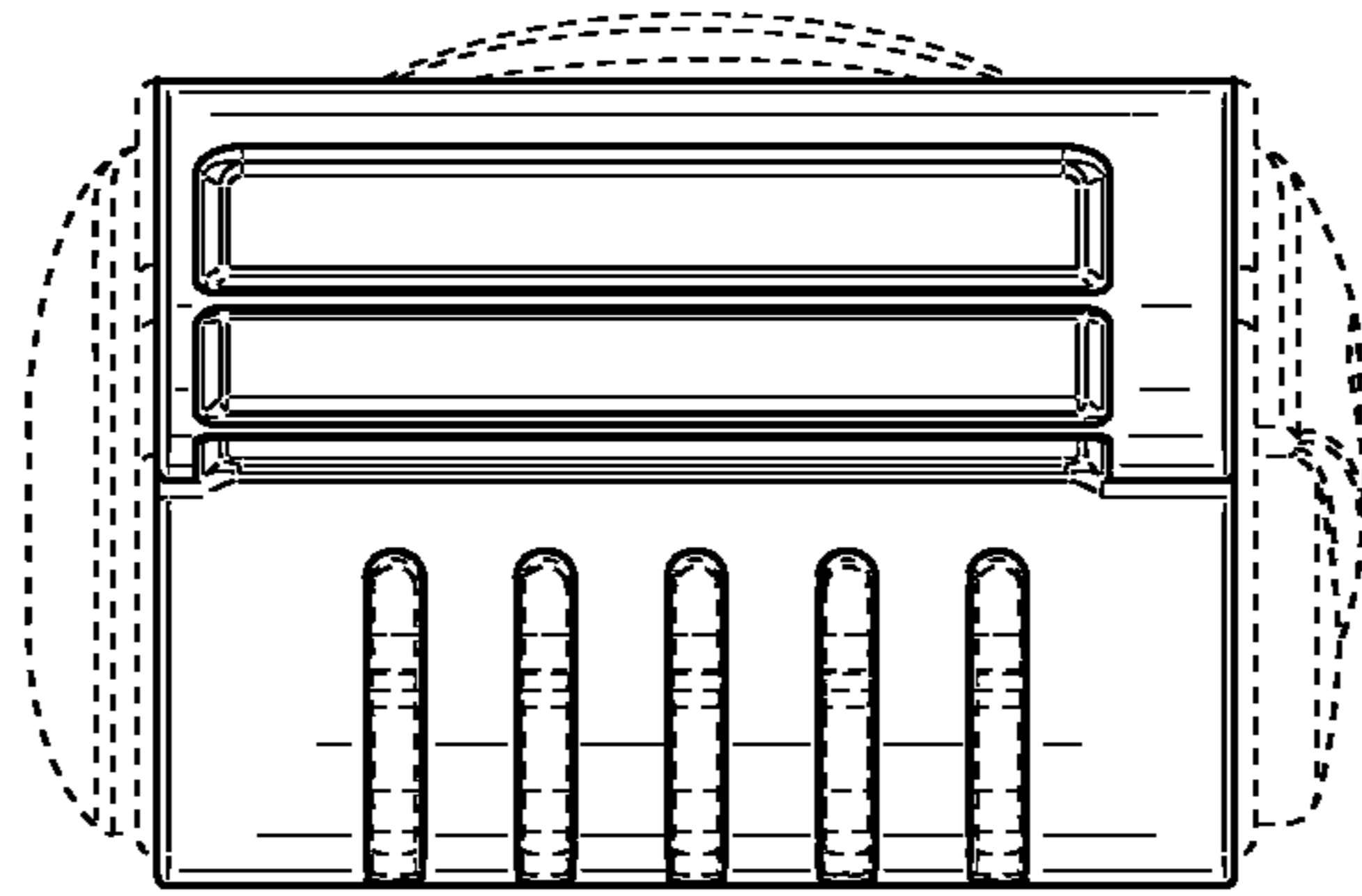


FIG. 7

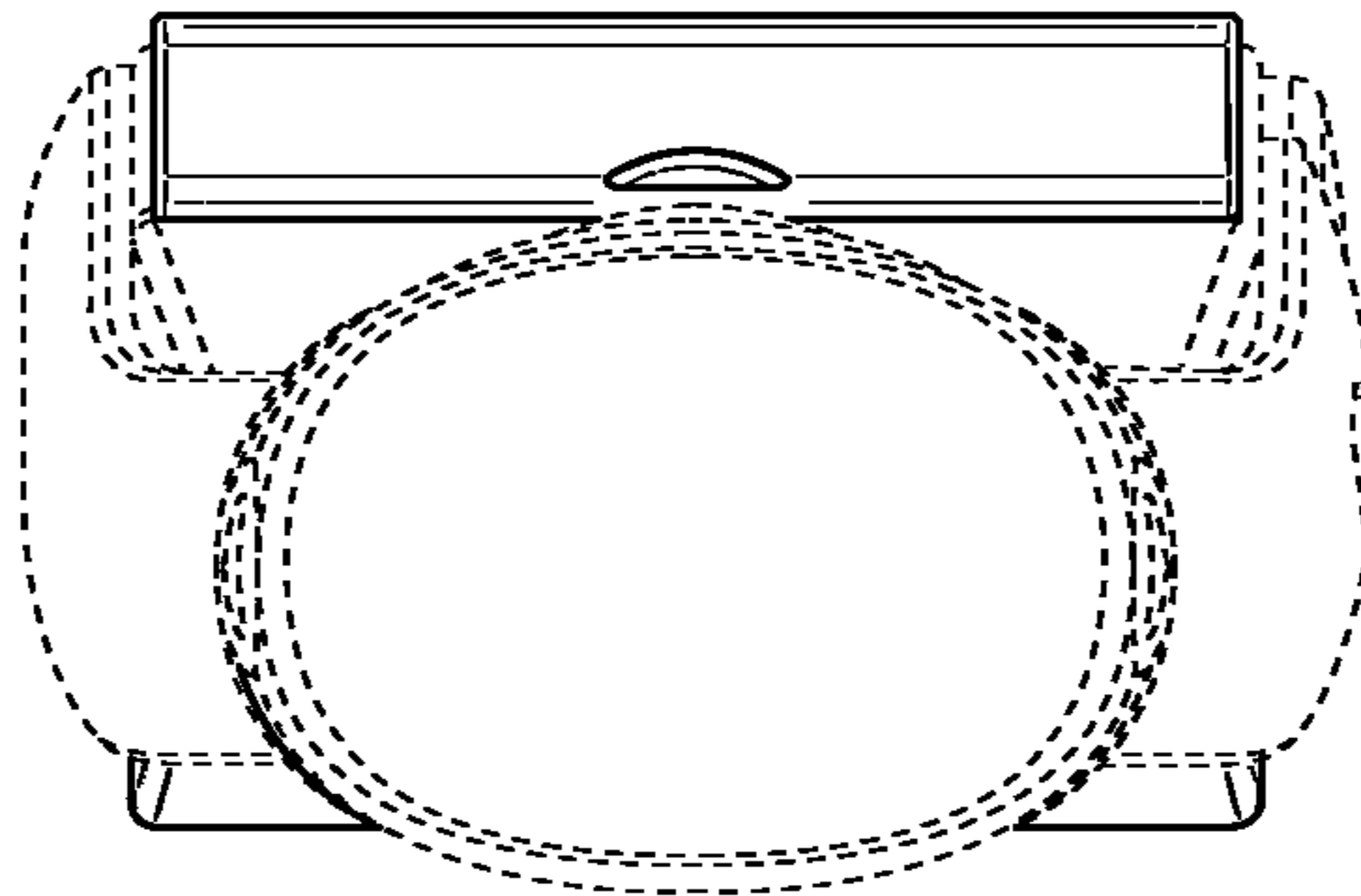


FIG. 8

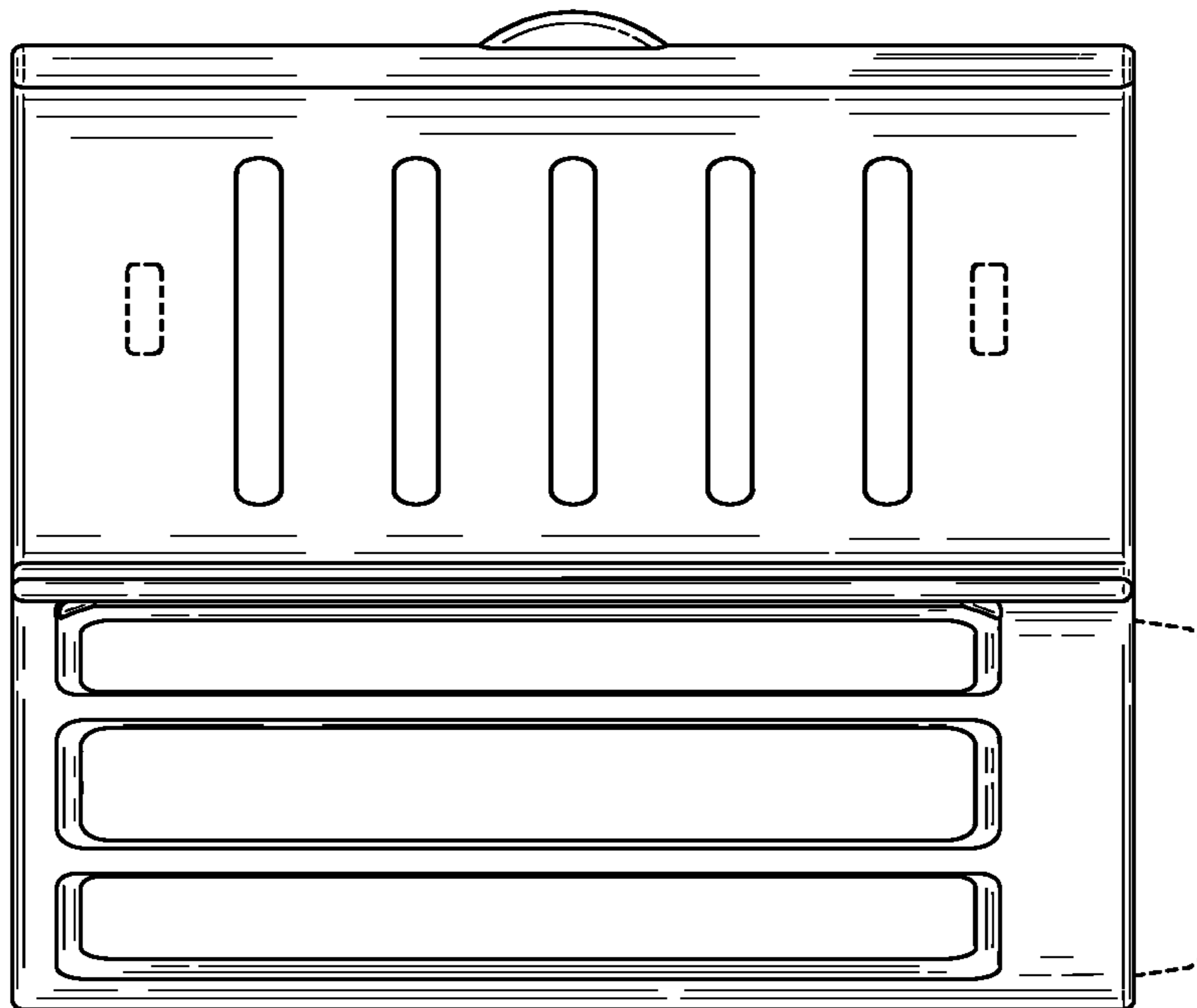


FIG. 9