



US00D706486S

(12) **United States Design Patent**
Glass et al.

(10) **Patent No.:** **US D706,486 S**
(45) **Date of Patent:** **** Jun. 3, 2014**

(54) **HAIR EXTENSION CLIP SYSTEM**

(71) Applicants: **Deborah Glass**, Detroit, MI (US); **Steve Livneh**, Amherstburg (CA); **Dong Qian**, Amherstburg (CA)

(72) Inventors: **Deborah Glass**, Detroit, MI (US); **Steve Livneh**, Amherstburg (CA); **Dong Qian**, Amherstburg (CA)

(73) Assignee: **BP Logistics Corp.**, Ecorse, MI (US)

(**) Term: **14 Years**

(21) Appl. No.: **29/435,564**

(22) Filed: **Oct. 25, 2012**

Related U.S. Application Data

(63) Continuation-in-part of application No. 29/394,792, filed on Jun. 21, 2011.

(51) **LOC (10) Cl.** **28-03**

(52) **U.S. Cl.**
USPC **D28/41**

(58) **Field of Classification Search**
USPC D28/40, 92, 93; 132/53–56, 201
See application file for complete search history.

(56) **References Cited**

U.S. PATENT DOCUMENTS

D356,398 S *	3/1995	Hafid	D28/92
6,035,861 A *	3/2000	Copello	132/201
6,405,736 B2 *	6/2002	Townsend	132/201
D642,744 S *	8/2011	Hunt-Larder	D28/92
2004/0129285 A1 *	7/2004	Frazier	132/201
2006/0180171 A1 *	8/2006	Kim	132/201
2008/0276949 A1 *	11/2008	Lee	132/53
2008/0295856 A1 *	12/2008	Kallabat et al.	132/201
2010/0170523 A1 *	7/2010	DePalma	132/54

* cited by examiner

Primary Examiner — Zenia Bennett

(74) *Attorney, Agent, or Firm* — Preston Smirman; Smirman IP Law, PLLC

(57) **CLAIM**

We claim the ornamental design for a hair extension clip system, as shown and described.

DESCRIPTION

FIG. 1 is a perspective view of our design for a hair extension clip system;

FIG. 2 is a front view of the design for a hair extension clip system shown in FIG. 1;

FIG. 3 is a rear view of the design for a hair extension clip system shown in FIG. 1;

FIG. 4 is a left side elevational view of the design for a hair extension clip system shown in FIG. 1, the right side being a mirror image thereof;

FIG. 5 is a top view of the design for a hair extension clip system shown in FIG. 1;

FIG. 6 is a bottom view of the design for a hair extension clip system shown in FIG. 1;

FIG. 7 is a perspective view of our first alternative design for a hair extension clip system;

FIG. 8 is a front view of the first alternative design for a hair extension clip system shown in FIG. 7;

FIG. 9 is a rear view of the first alternative design for a hair extension clip system shown in FIG. 7;

FIG. 10 is a left side elevational view of the first alternative design for a hair extension clip system shown in FIG. 7, the right side being a mirror image thereof;

FIG. 11 is a top view of the first alternative design for a hair extension clip system shown in FIG. 7;

FIG. 12 is a bottom view of the first alternative design for a hair extension clip system shown in FIG. 7;

FIG. 13 is a perspective view of our second alternative design for a hair extension clip system;

FIG. 14 is a front view of the second alternative design for a hair extension clip system shown in FIG. 13;

FIG. 15 is a rear view of the second alternative design for a hair extension clip system shown in FIG. 13;

FIG. 16 is a left side elevational view of the second alternative design for a hair extension clip system shown in FIG. 13, the right side being a mirror image thereof;

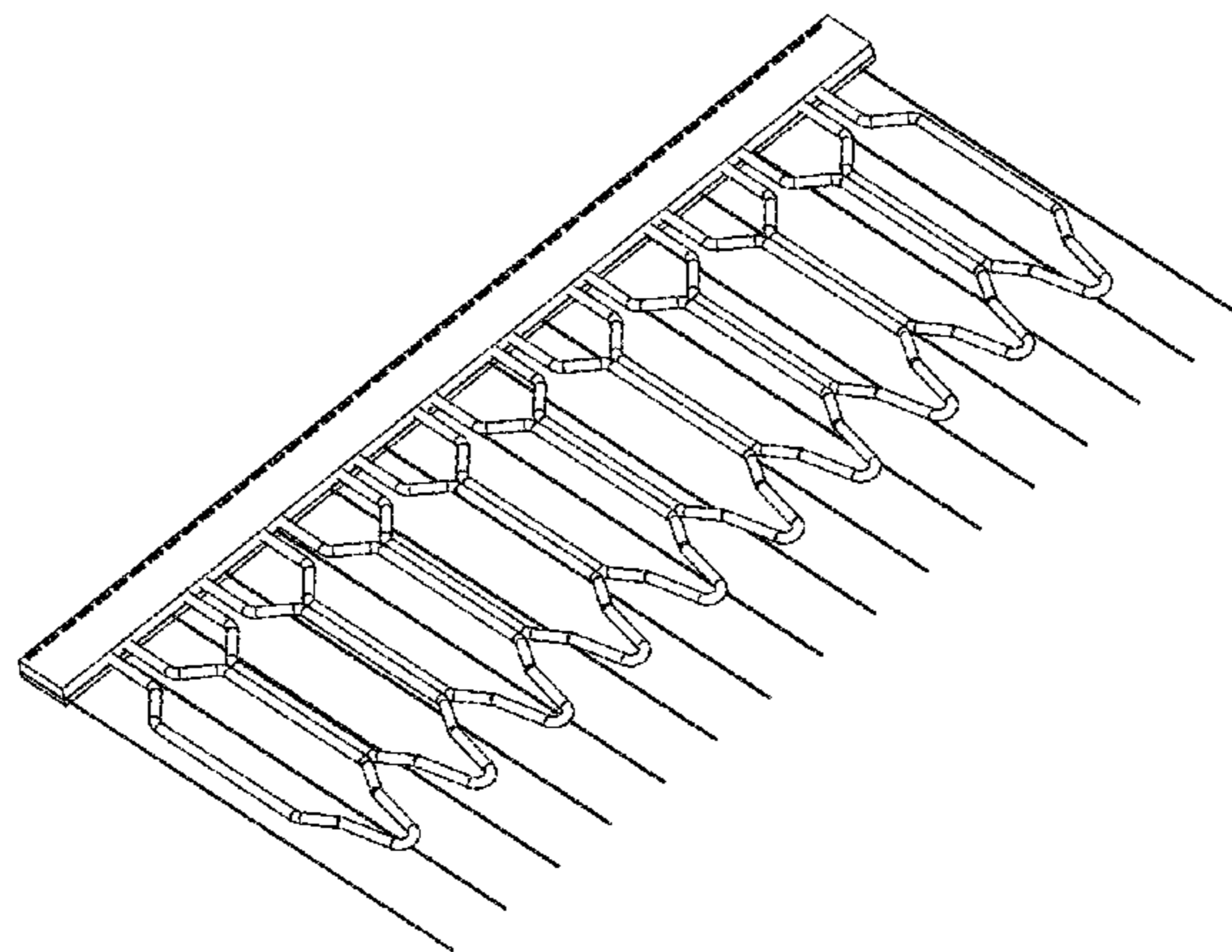


FIG. 17 is a top view of the second alternative design for a hair extension clip system shown in FIG. 13;

FIG. 18 is a bottom view of the second alternative design for a hair extension clip system shown in FIG. 13;

FIG. 19 is a perspective view of our third alternative design for a hair extension clip system;

FIG. 20 is a front view of the third alternative design for a hair extension clip system shown in FIG. 19;

FIG. 21 is a rear view of the third alternative design for a hair extension clip system shown in FIG. 19;

FIG. 22 is a left side elevational view of the third alternative design for a hair extension clip system shown in FIG. 19, the right side being a mirror image thereof;

FIG. 23 is a top view of the third alternative design for a hair extension clip system shown in FIG. 19; and,

FIG. 24 is a bottom view of the third alternative design for a hair system shown in FIG. 19.

1 Claim, 12 Drawing Sheets

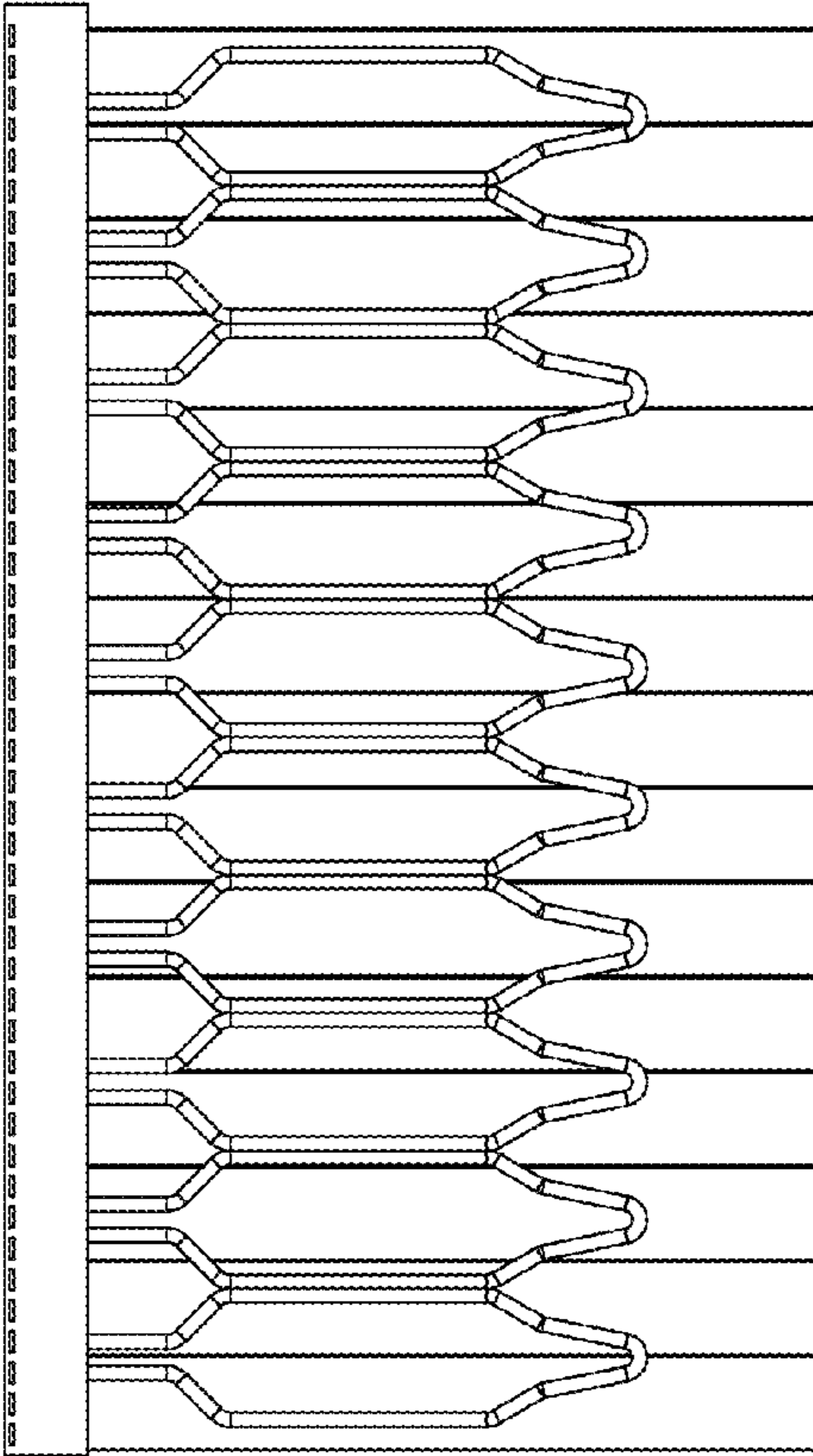


FIG. 2

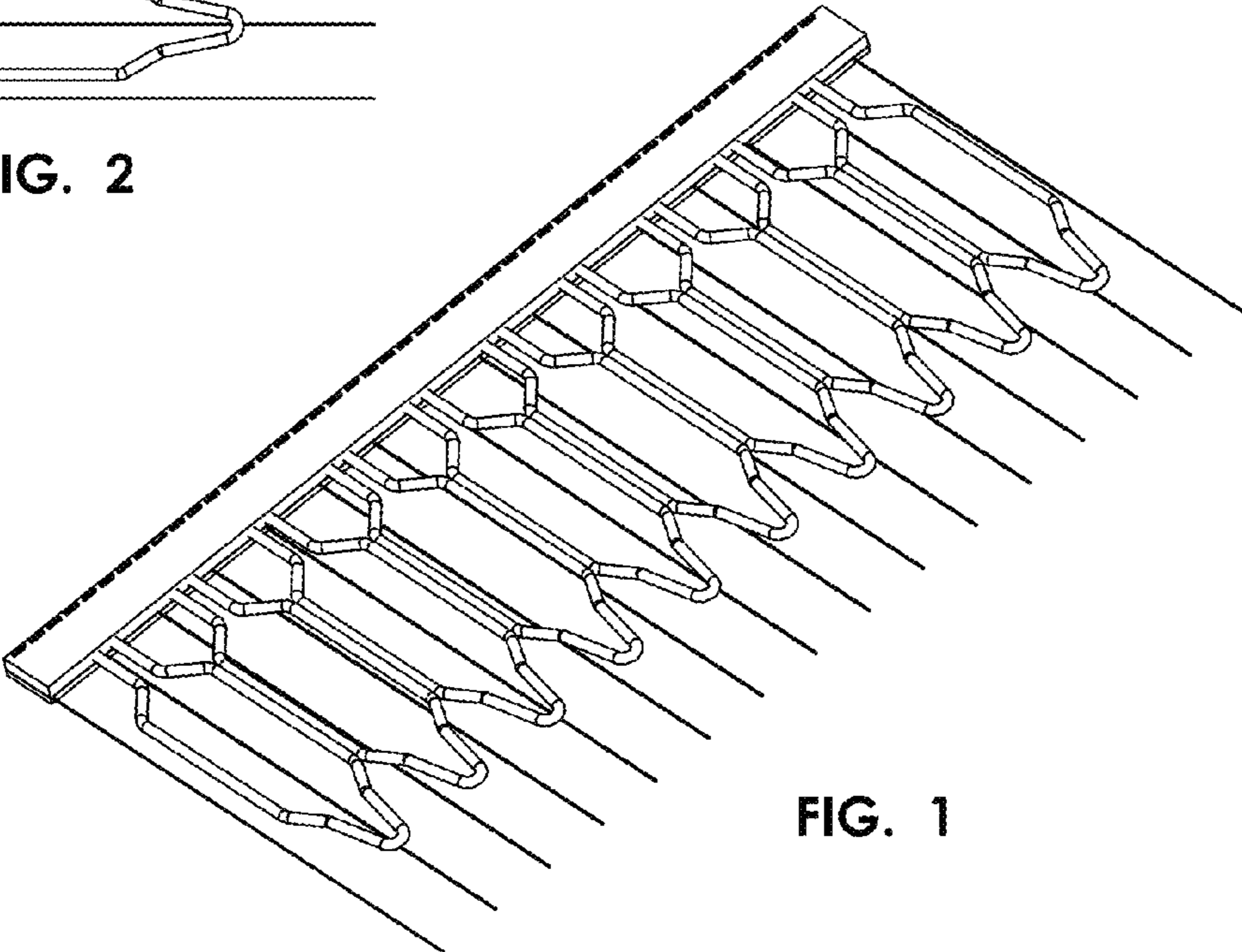


FIG. 1

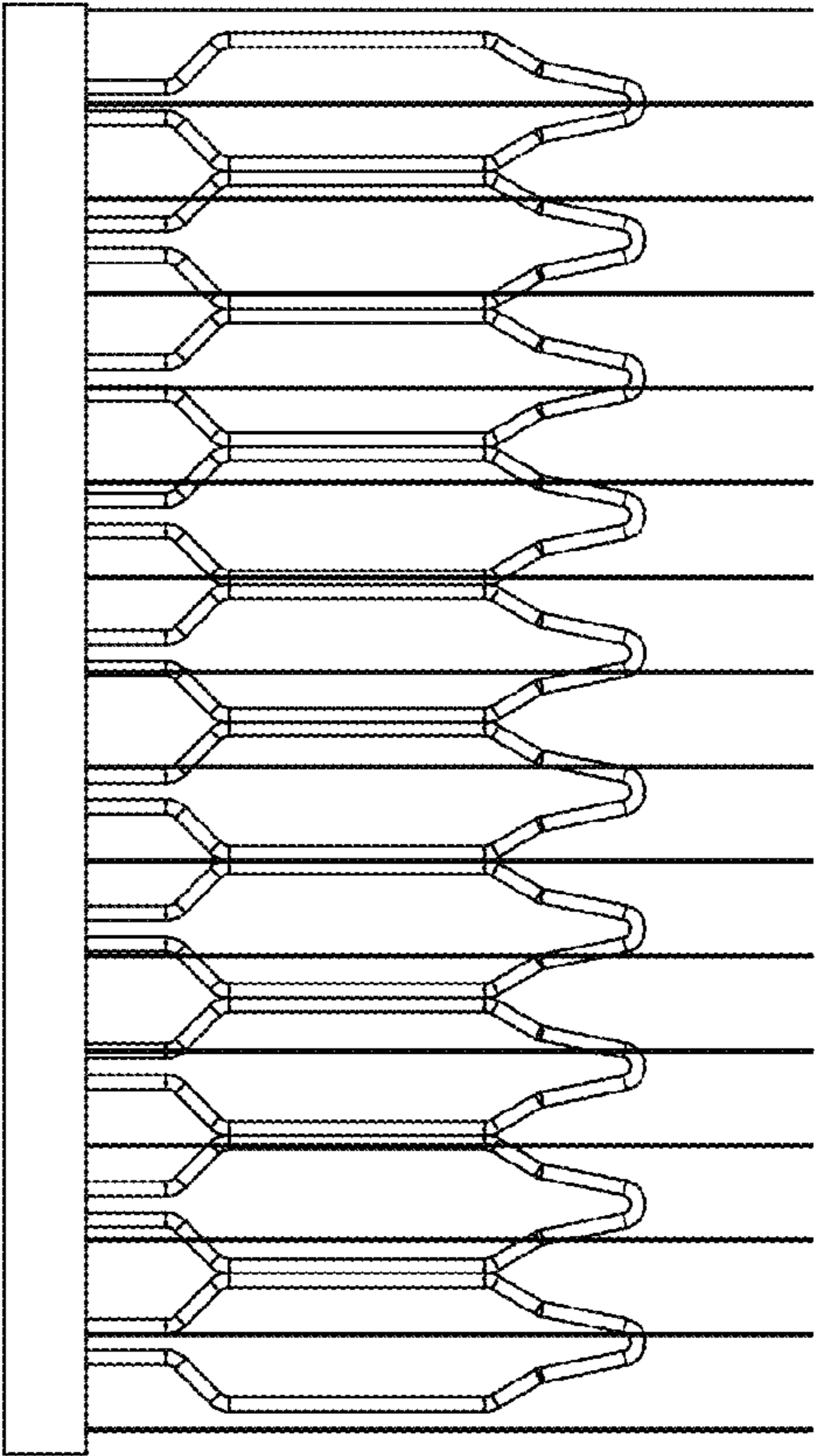


FIG. 3

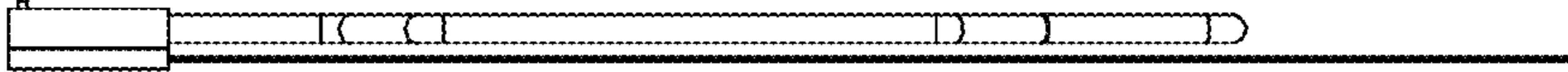


FIG. 4

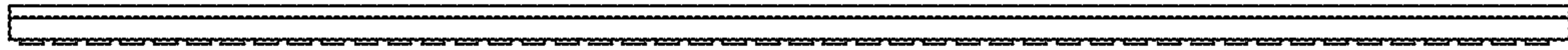


FIG. 5



FIG. 6

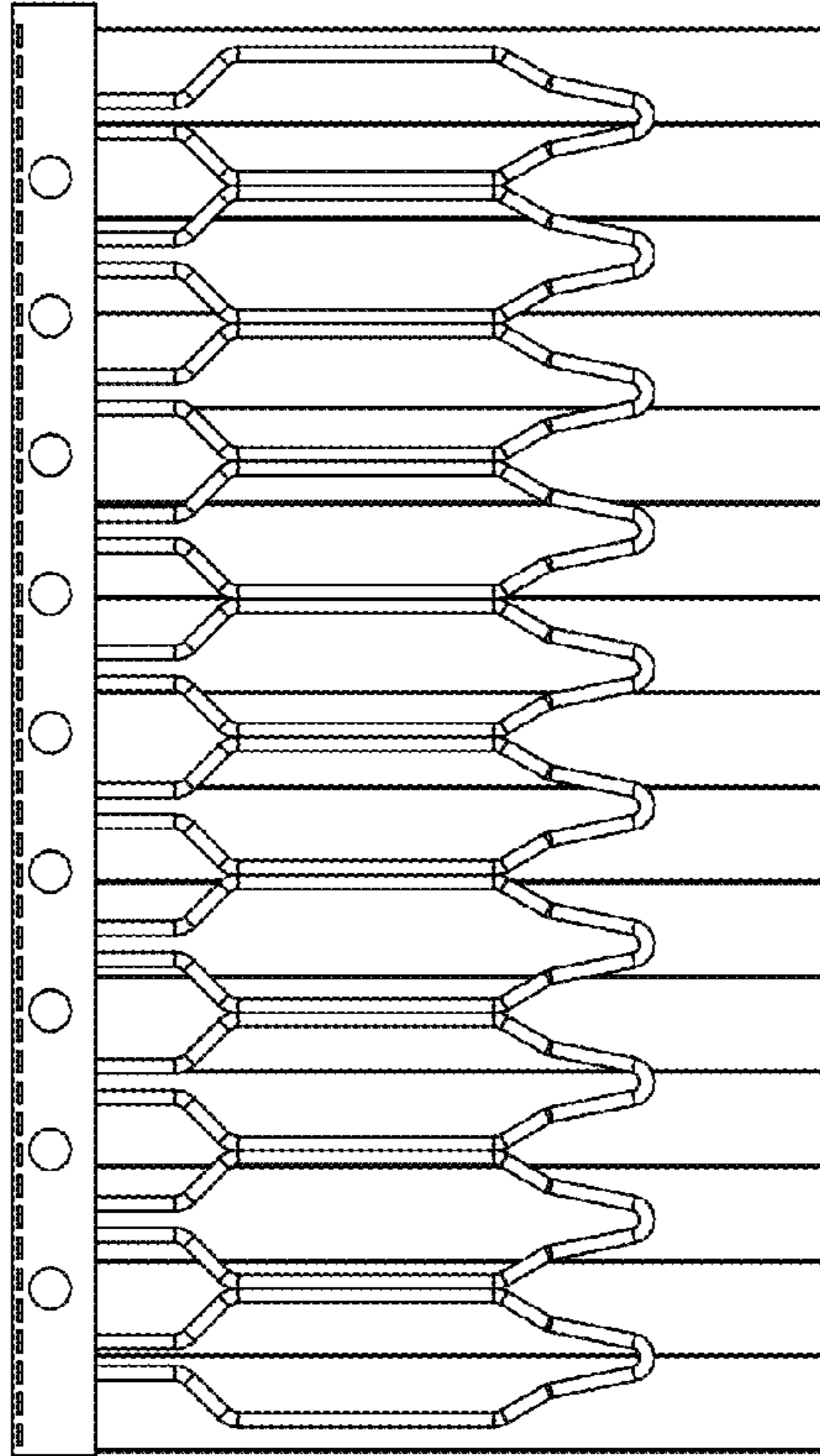


FIG. 8

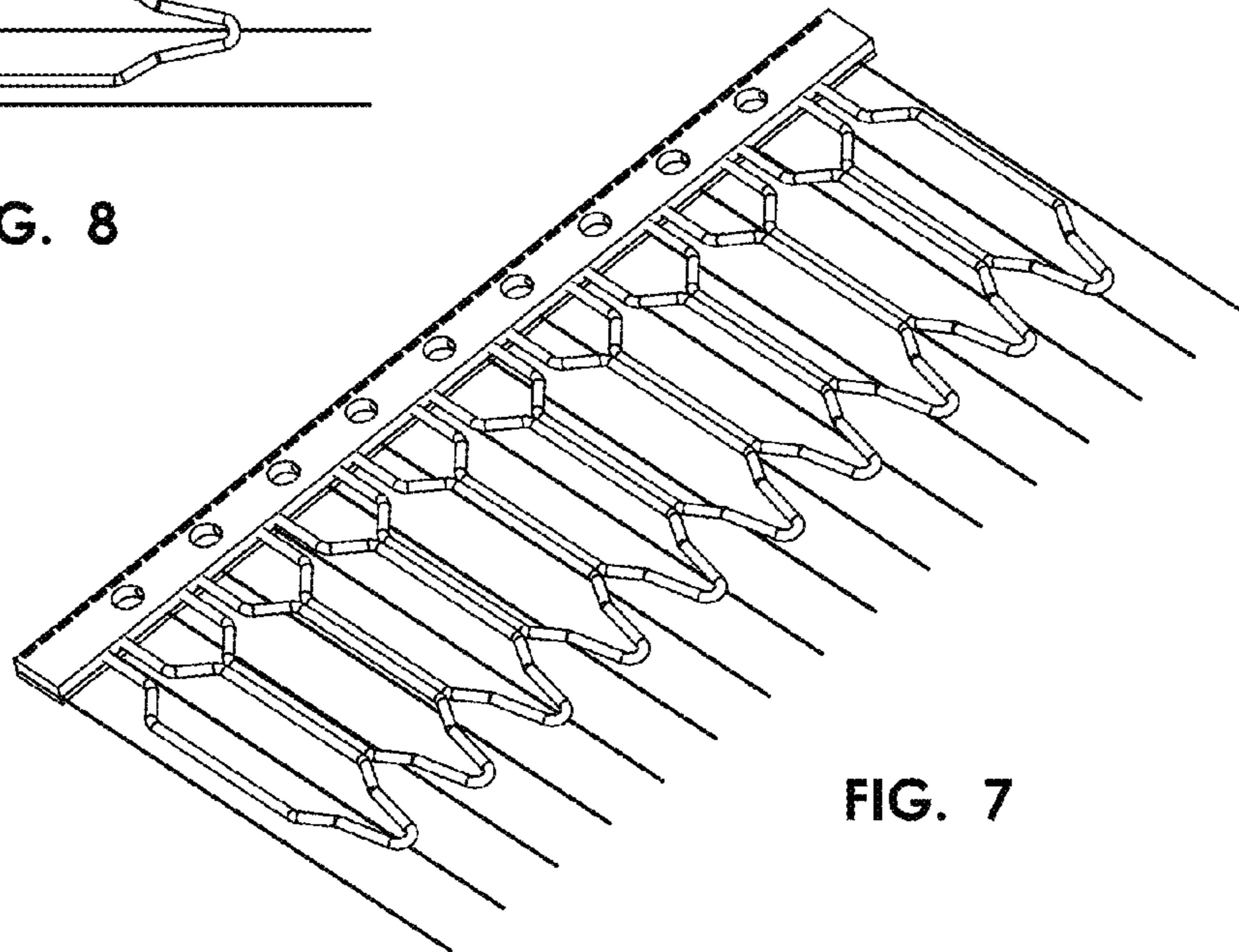


FIG. 7

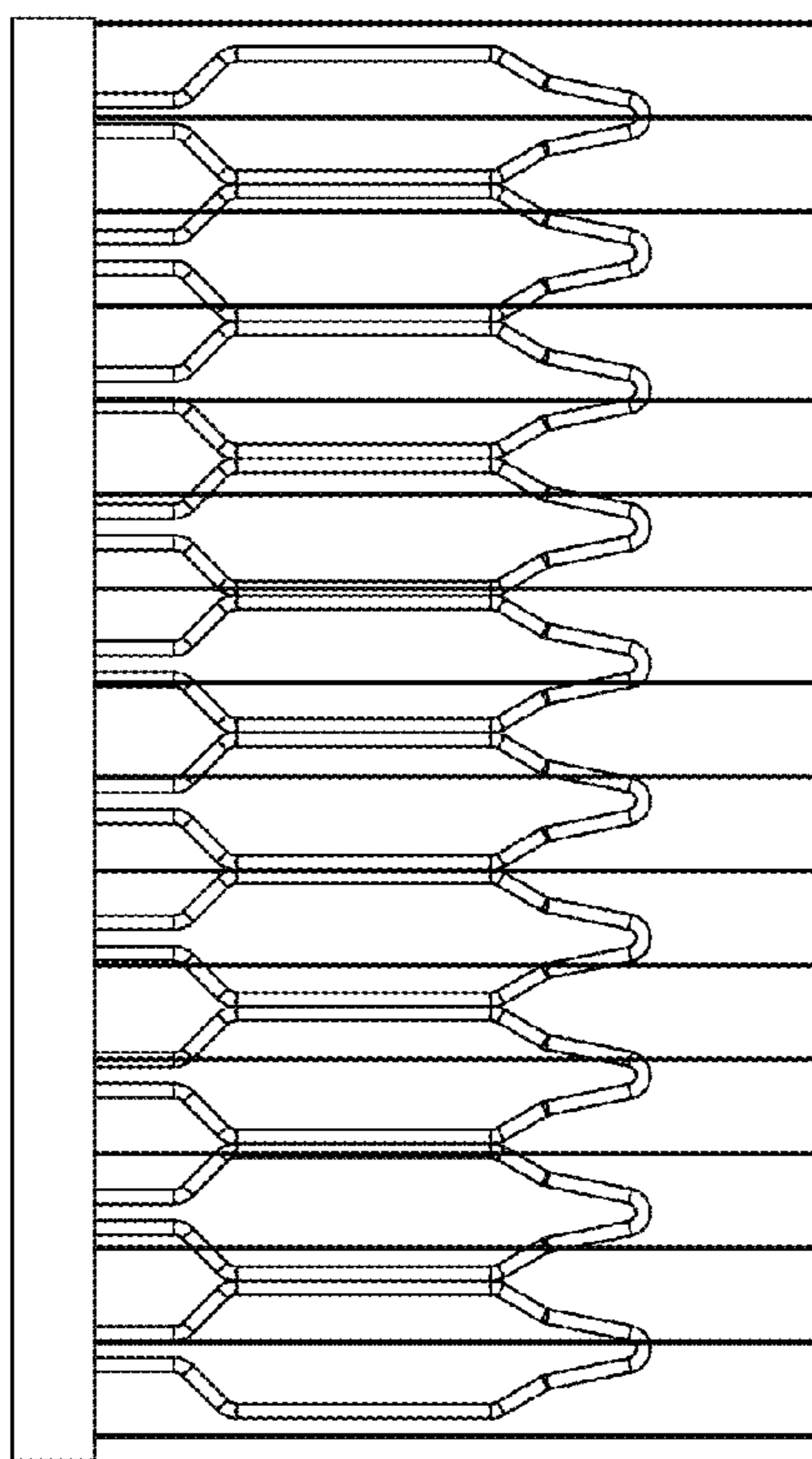


FIG. 9



FIG. 10



FIG. 11



FIG. 12

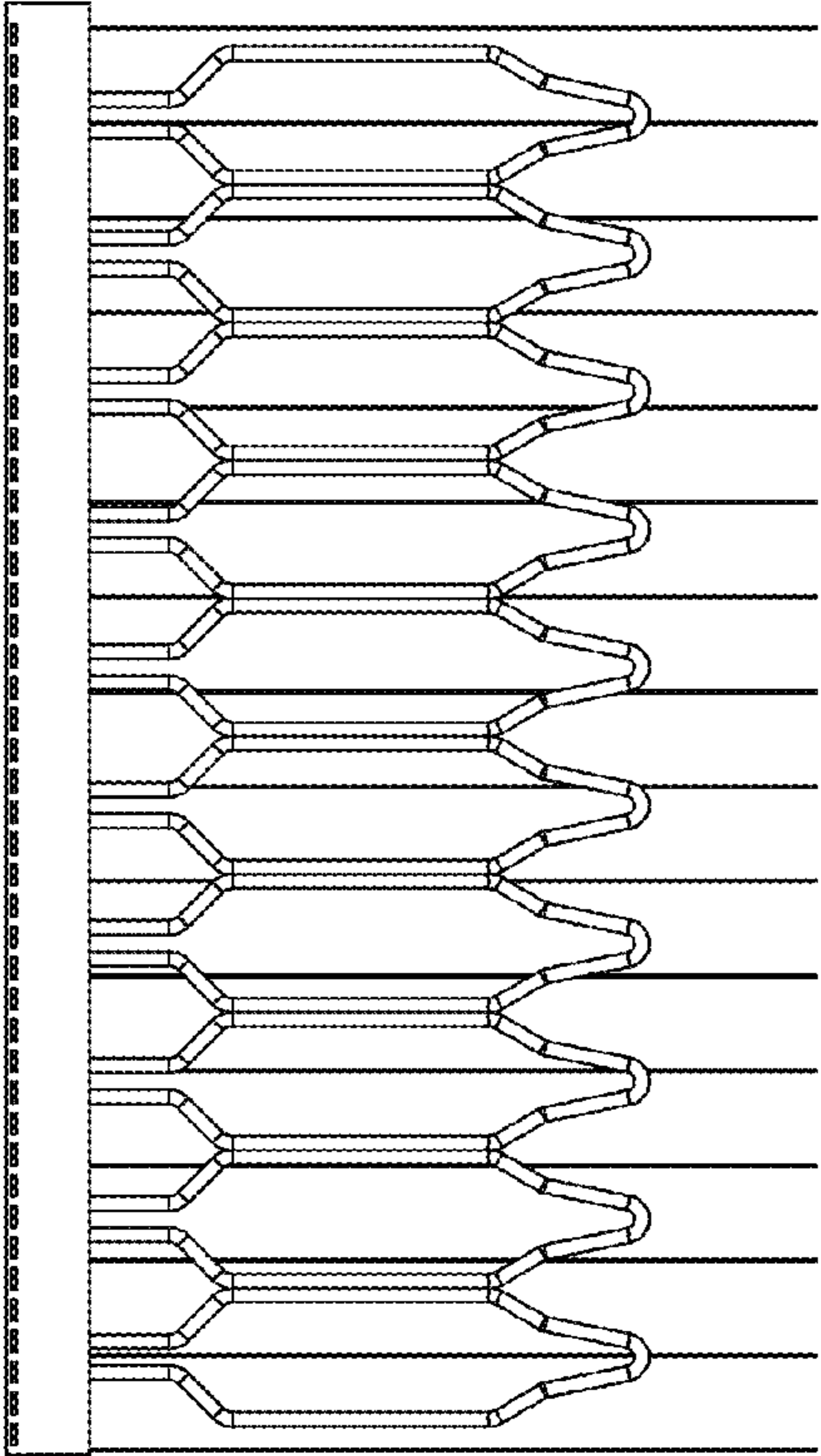


FIG. 14

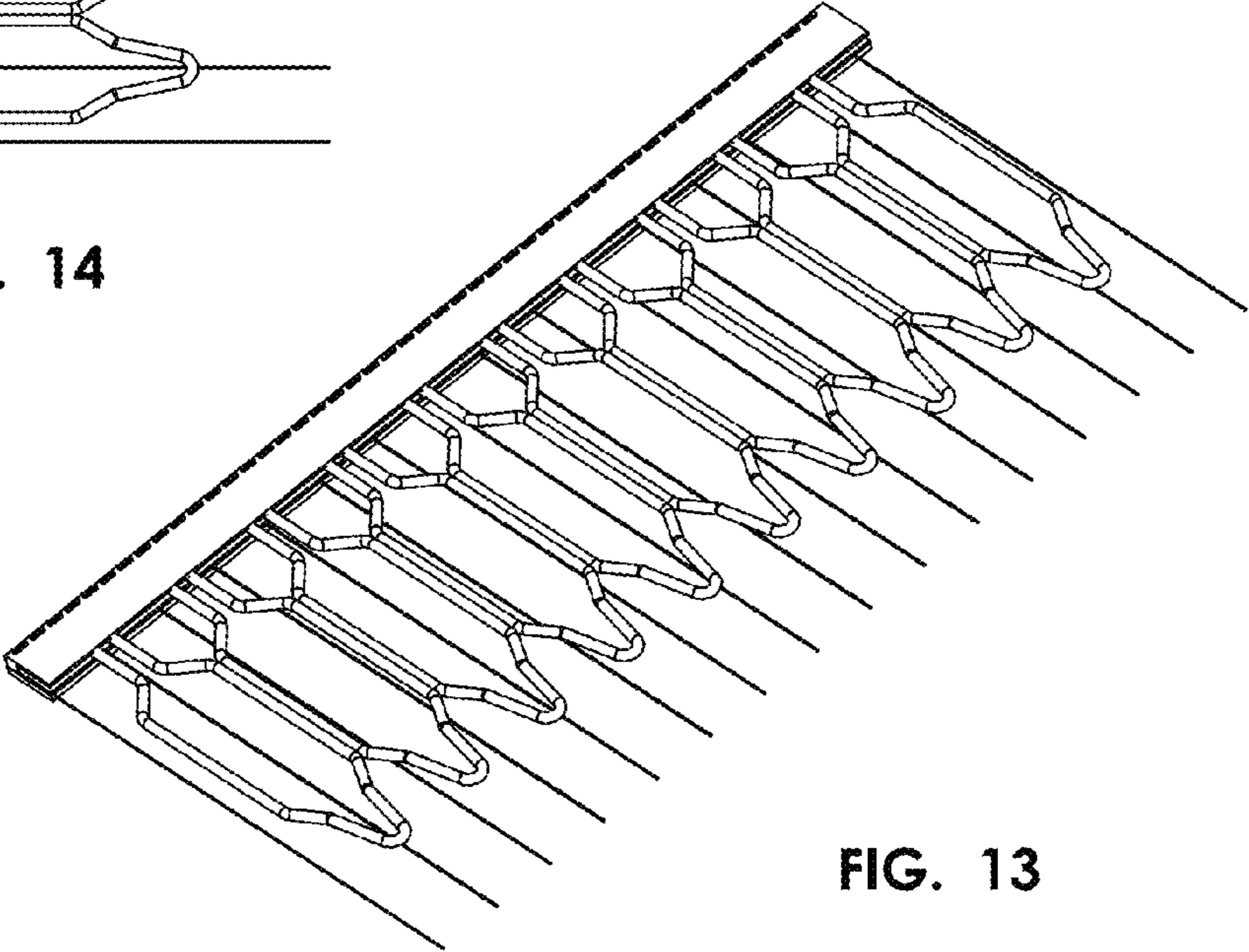


FIG. 13

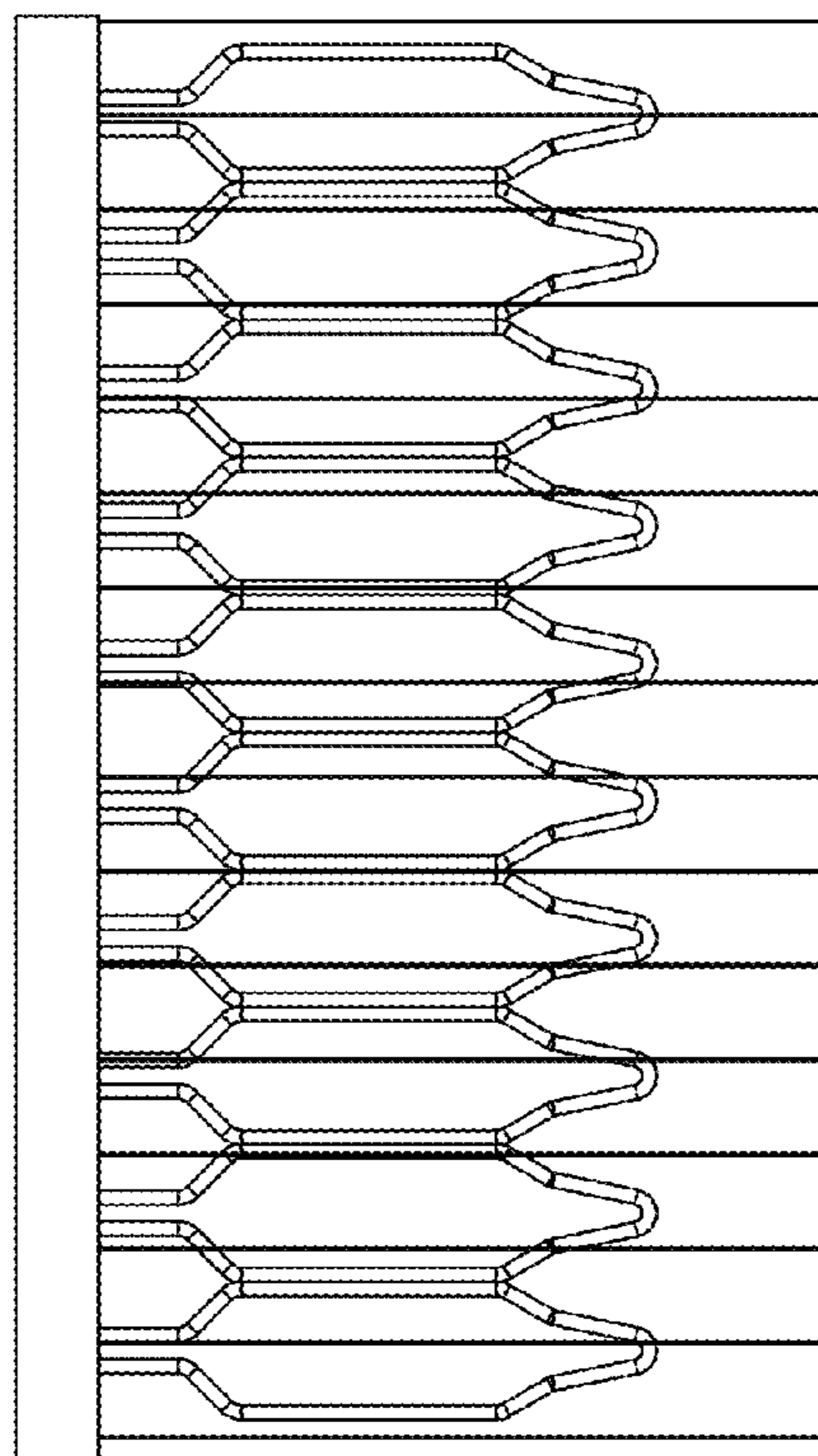


FIG. 15

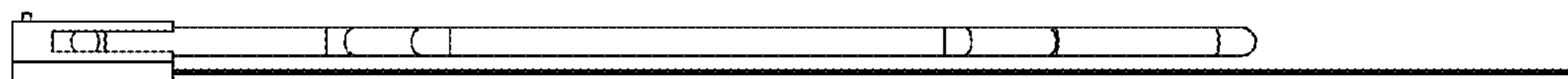


FIG. 16

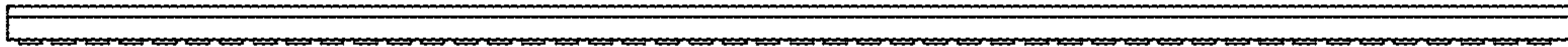


FIG. 17



FIG. 18

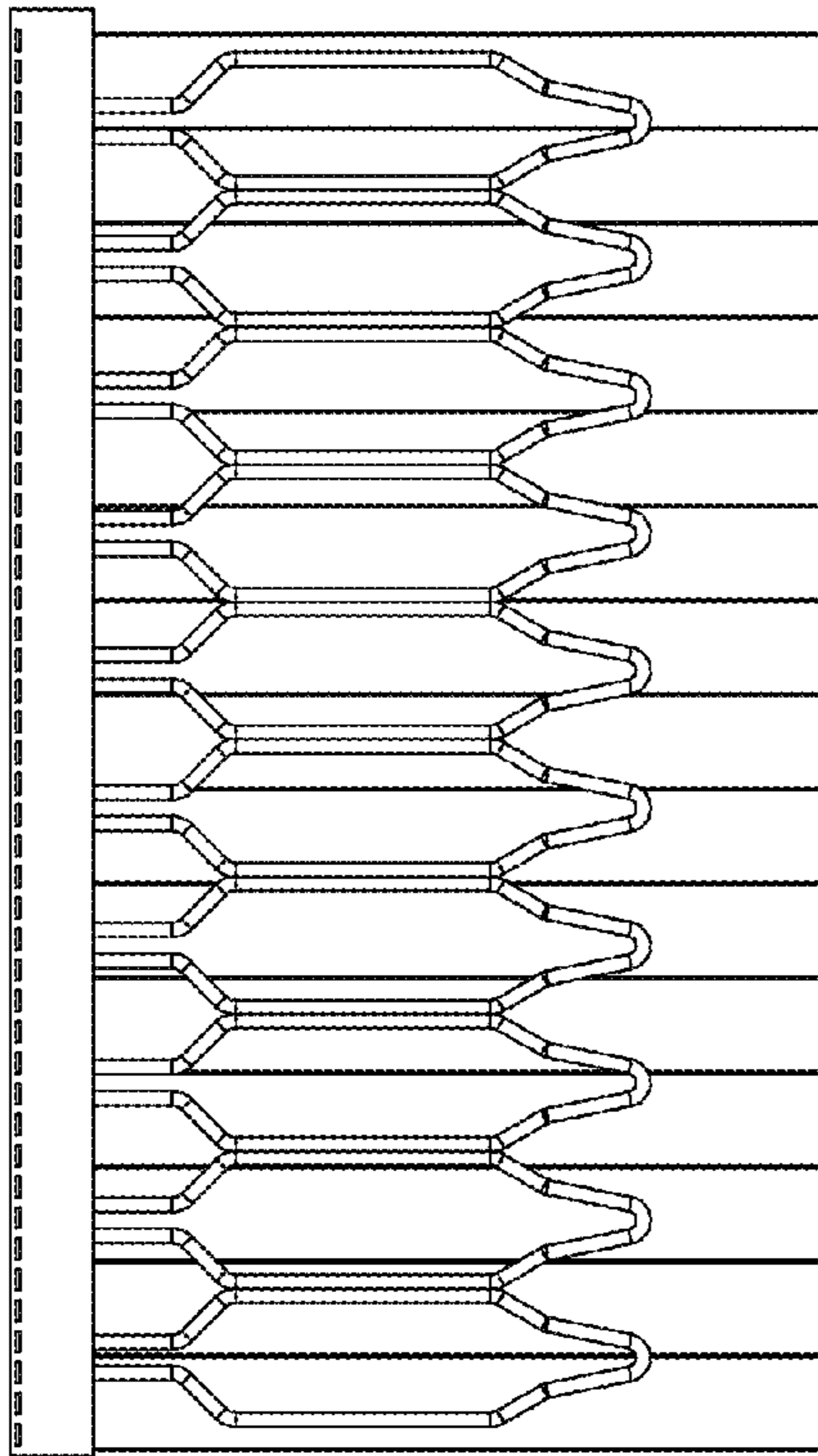


FIG. 20

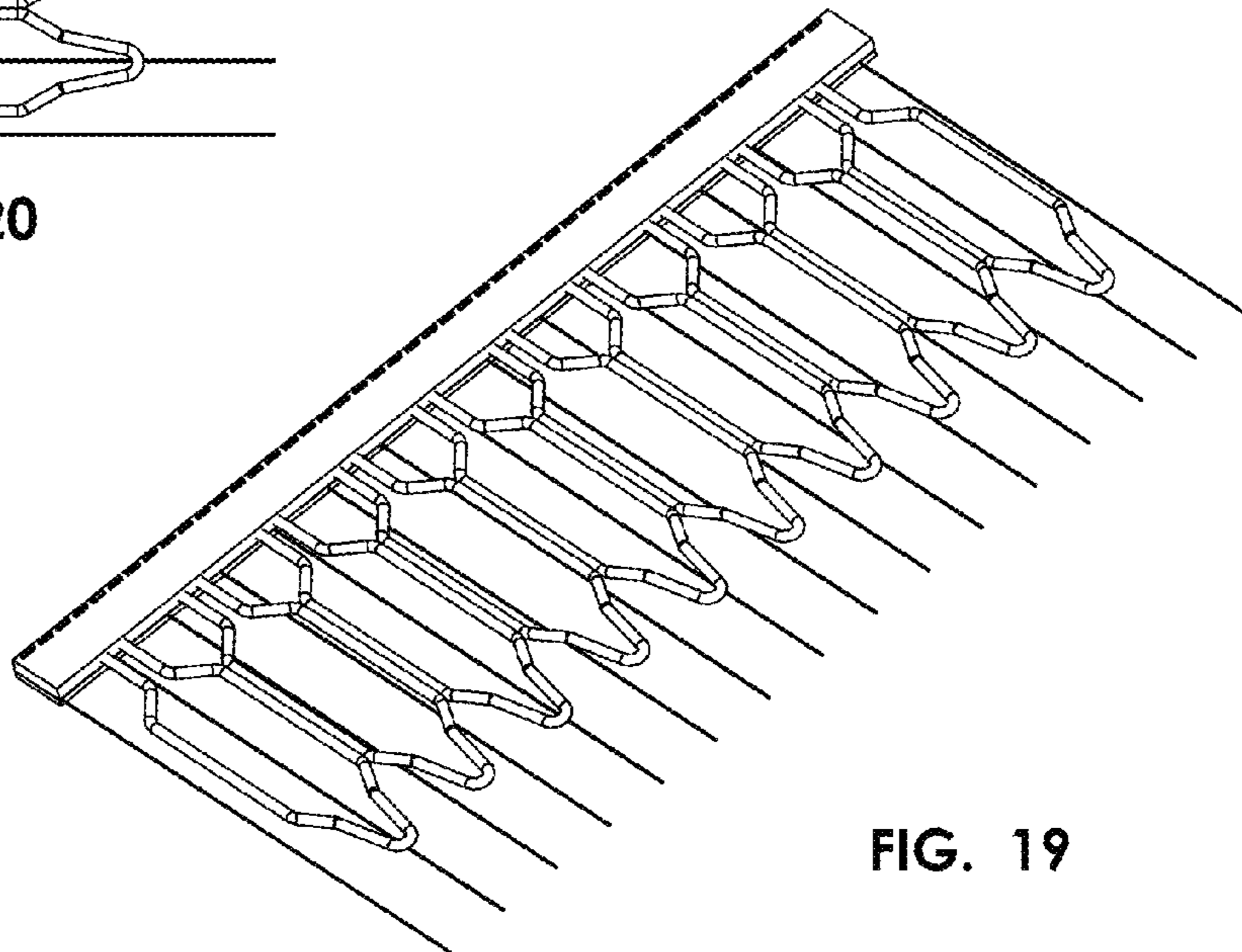


FIG. 19

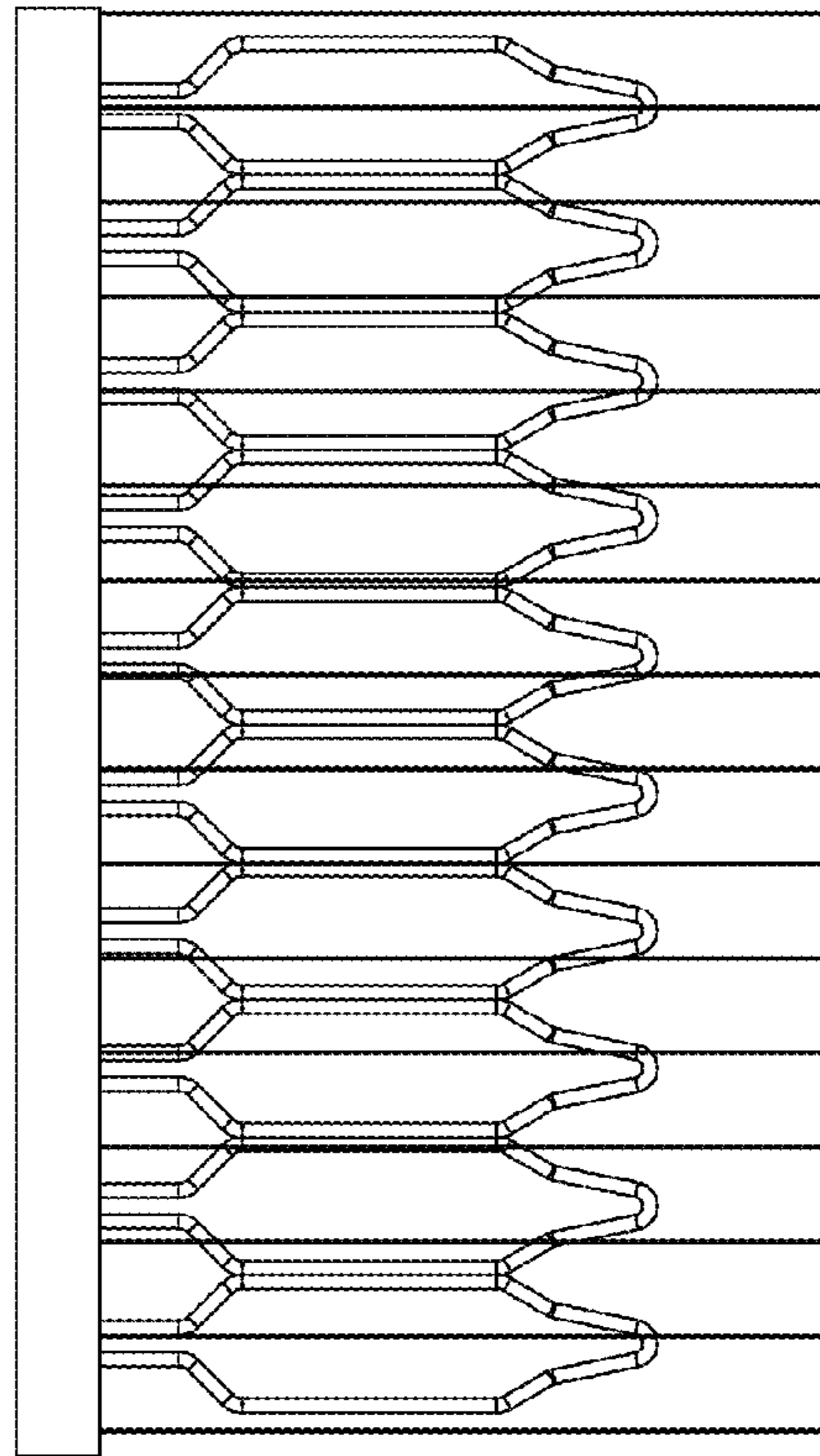


FIG. 21

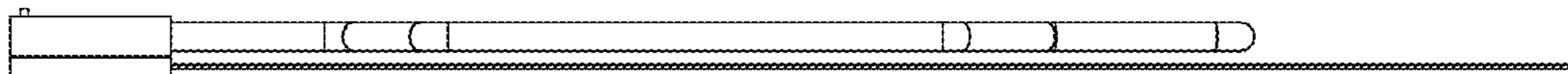


FIG. 22

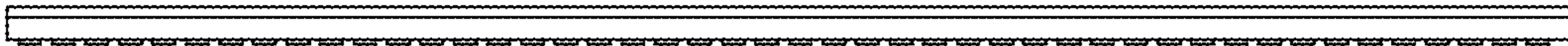


FIG. 23



FIG. 24