



US00D706483S

(12) **United States Design Patent**
Ma

(10) **Patent No.:** **US D706,483 S**
(45) **Date of Patent:** **** Jun. 3, 2014**

(54) **LIGHT**

(71) Applicant: **Johnson Wai Aquarium Supply Co., Ltd.**, New Territories (HK)

(72) Inventor: **William Chi Wai Ma**, New Territories (HK)

(73) Assignee: **Johnson Wai Aquarium Supply Co., Ltd.**, Hong Kong (CN)

(**) Term: **14 Years**

(21) Appl. No.: **29/452,608**

(22) Filed: **Apr. 18, 2013**

(30) **Foreign Application Priority Data**

Nov. 27, 2012 (HK) 1202340.6

(51) **LOC (10) Cl.** **26-03**

(52) **U.S. Cl.**
USPC **D26/92; D26/80; D26/76**

(58) **Field of Classification Search**
CPC F21S 4/00; F21S 8/00; F21W 2131/3005;
F21W 2131/304; F21W 2131/308; F21W
2131/405

USPC D26/51, 56, 72, 75-78, 80, 92, 118;
362/98, 147, 217.01, 218, 219, 222,
362/223, 260, 294, 373

See application file for complete search history.

(56) **References Cited**

U.S. PATENT DOCUMENTS

D127,398 S * 5/1941 Jordan D26/76
D429,357 S * 8/2000 Grimm D26/76
D446,333 S * 8/2001 Frois D26/76

D520,172 S * 5/2006 Engel D26/76
D547,481 S * 7/2007 Tseng D26/76
D570,026 S * 5/2008 Waldmann D26/76
D596,778 S * 7/2009 Yamazato D26/76
D607,599 S * 1/2010 Zhou et al. D26/80
D638,566 S * 5/2011 Goelz et al. D26/75
D645,192 S * 9/2011 Chung et al. D26/75
8,038,315 B1 * 10/2011 Santoro et al. 362/224
8,075,159 B1 * 12/2011 Tsai 362/249.06
8,382,354 B2 * 2/2013 Kim et al. 362/606
8,585,237 B2 * 11/2013 Kim et al. 362/224
8,608,337 B2 * 12/2013 Nourishad et al. 362/225

FOREIGN PATENT DOCUMENTS

HK 1102075.3 12/2011

* cited by examiner

Primary Examiner — Clare E Heflin

(74) *Attorney, Agent, or Firm* — Leydig, Voit & Mayer, Ltd.

(57) **CLAIM**

The ornamental design for a light, as shown and described.

DESCRIPTION

FIG. 1 is a top perspective view of a light showing my new design;

FIG. 2 is a bottom perspective view;

FIG. 3 is a front view thereof;

FIG. 4 is a rear view thereof;

FIG. 5 is a left end view thereof;

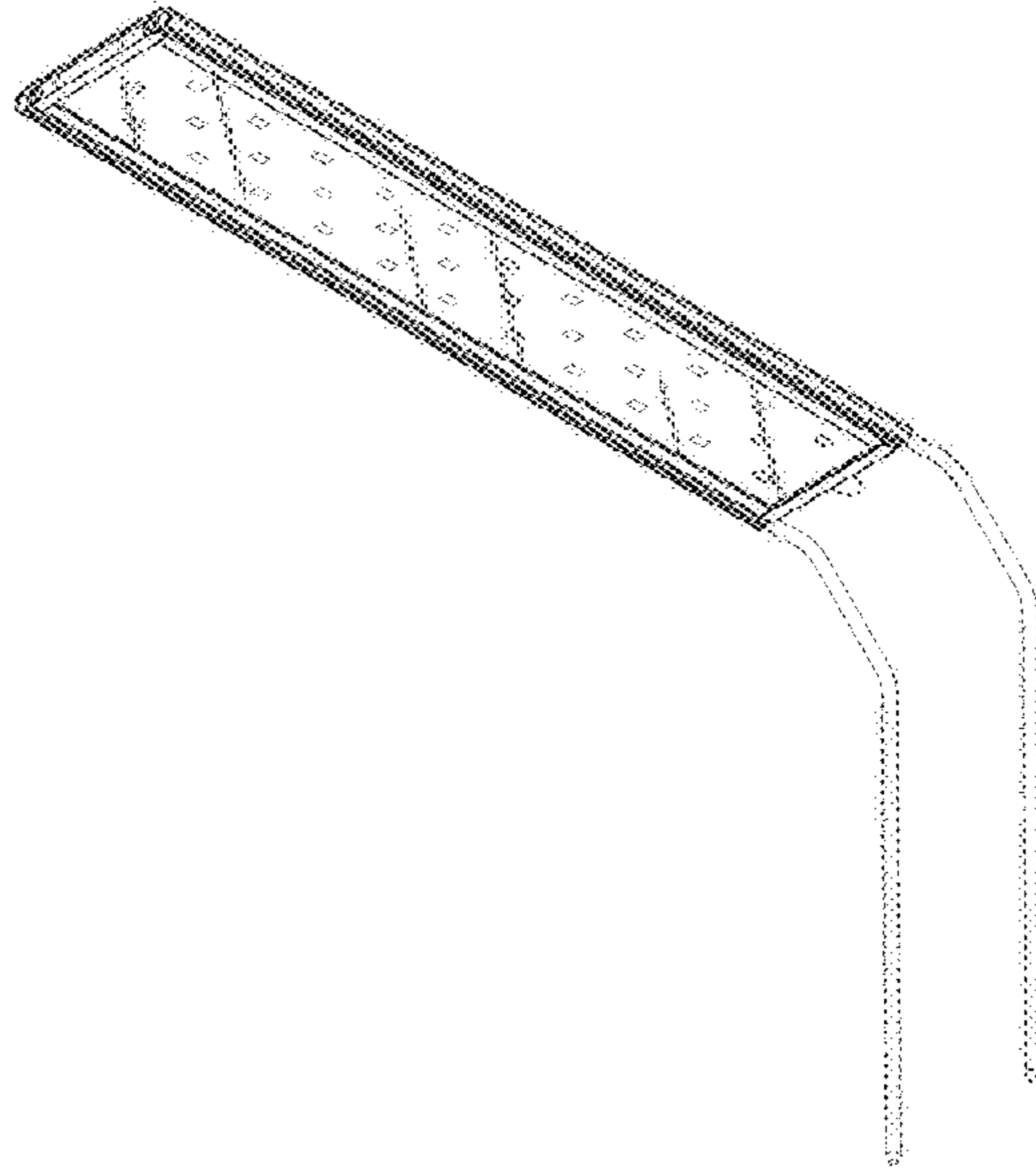
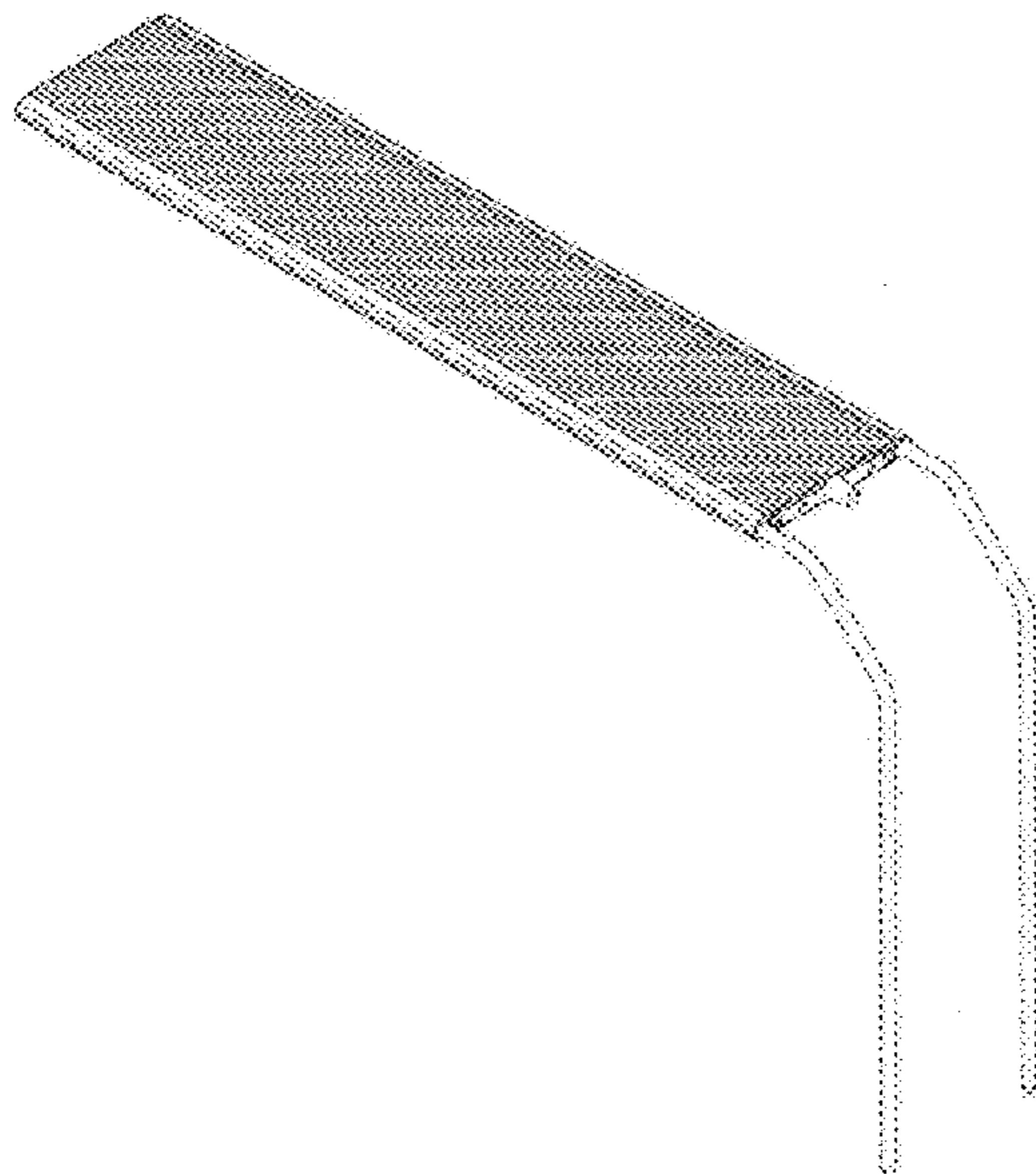
FIG. 6 is a right end view thereof;

FIG. 7 is a top plan view thereof; and,

FIG. 8 is a bottom plan view thereof.

The elements shown in broken lines are included for the purpose of illustrating environment and form no part of the claimed design.

1 Claim, 6 Drawing Sheets



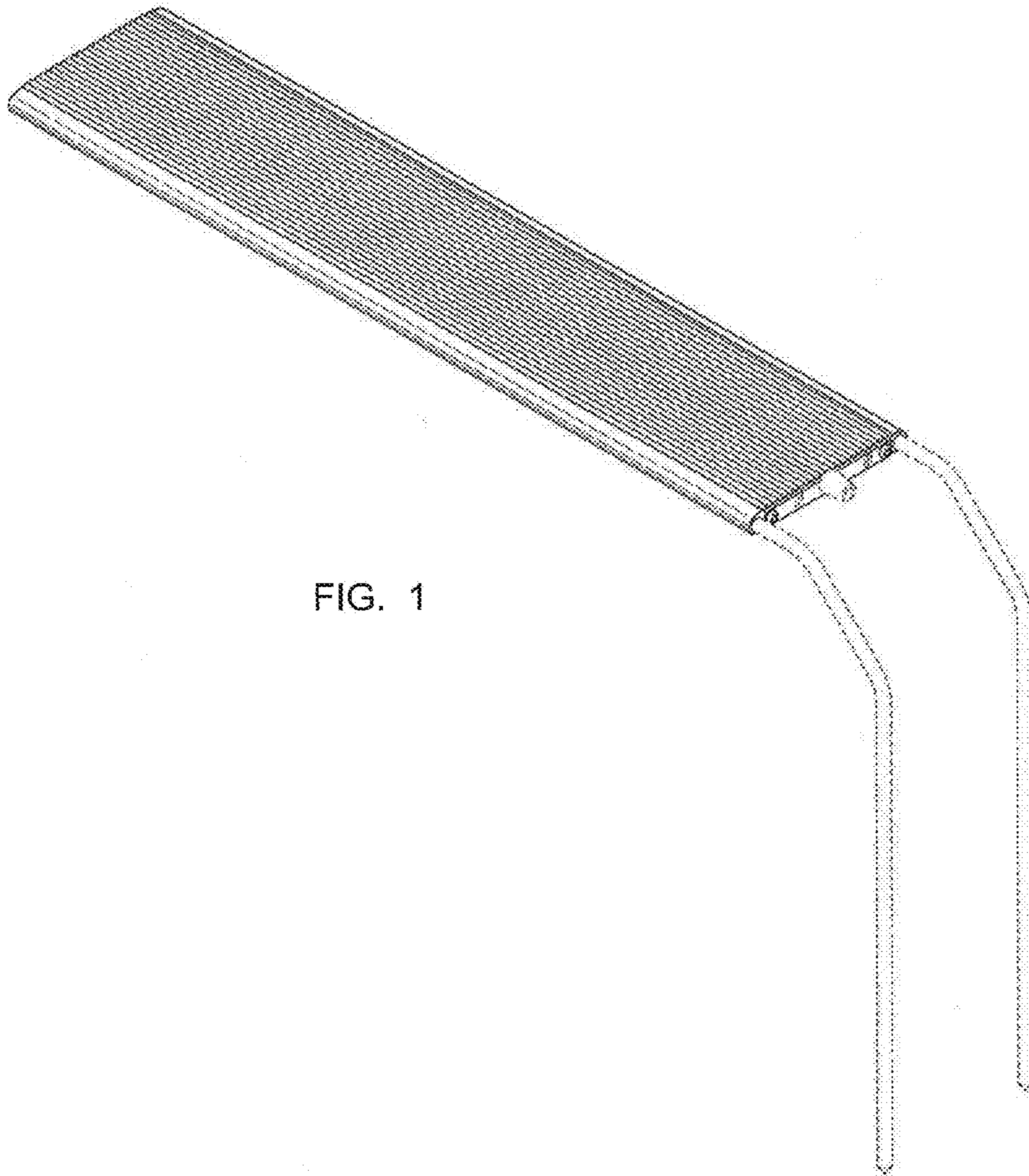


FIG. 1

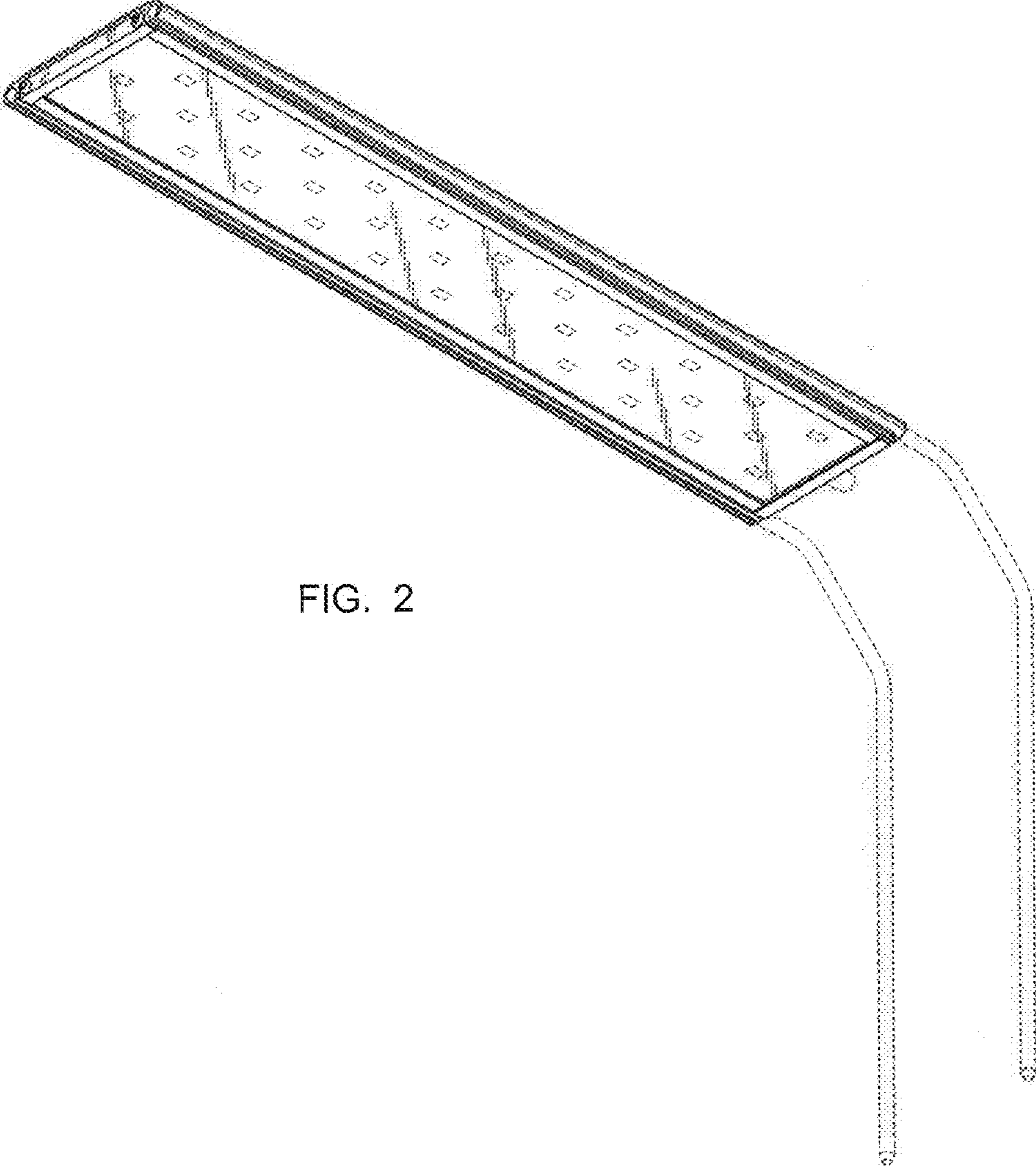


FIG. 2

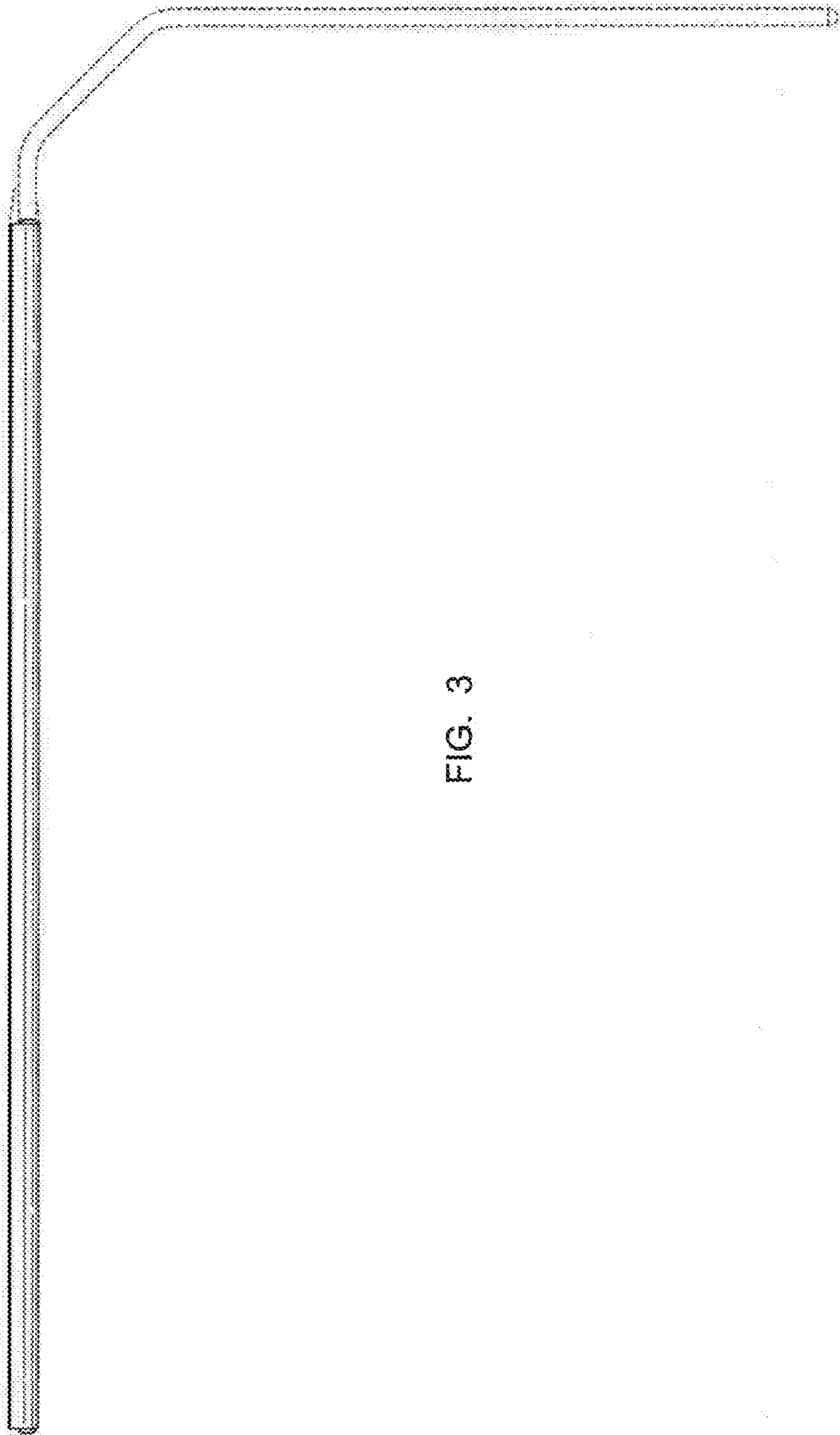


FIG. 3

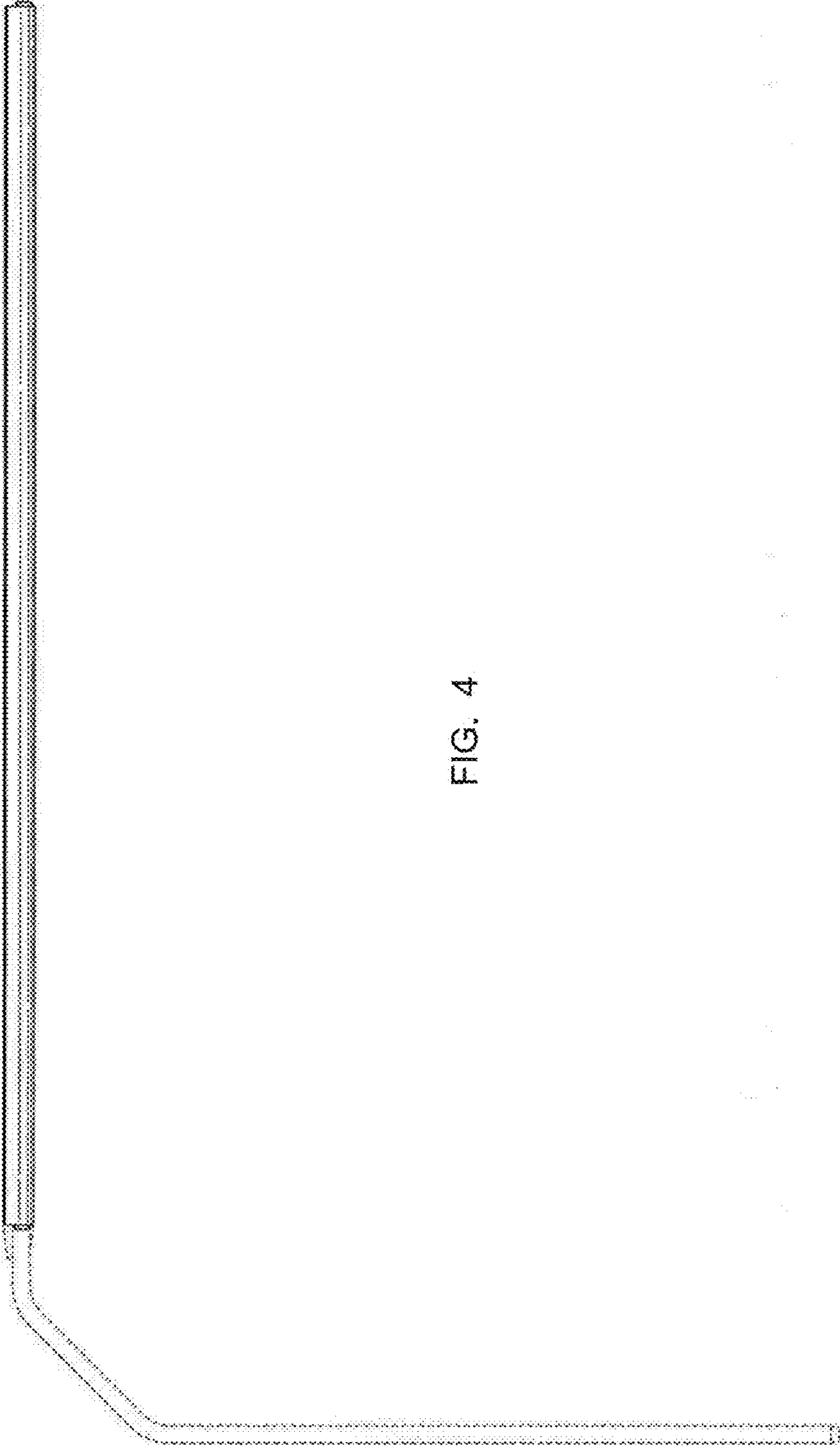


FIG. 4

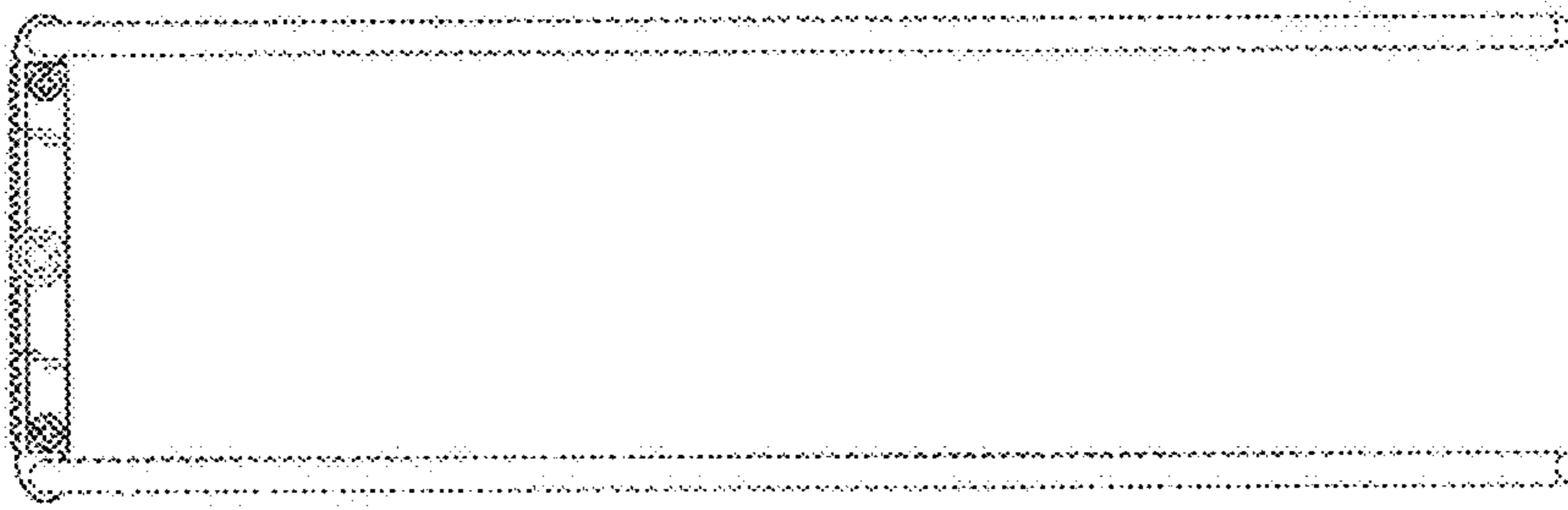


FIG. 6

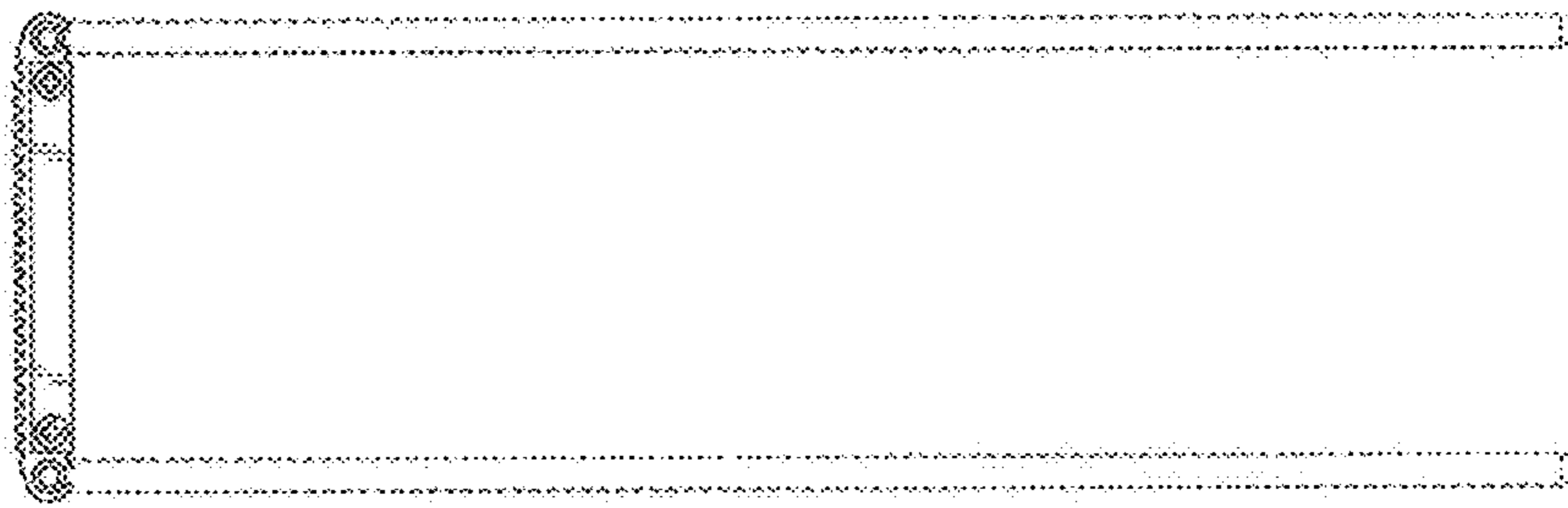


FIG. 5

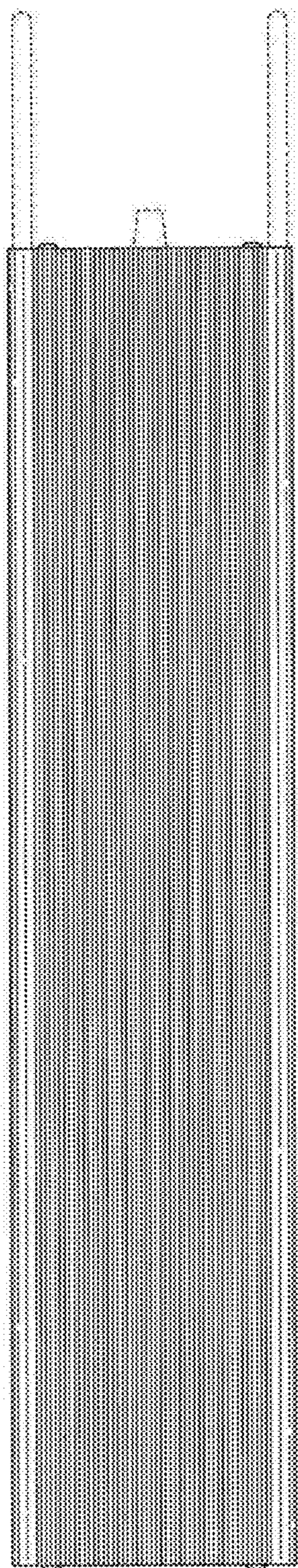


FIG. 7

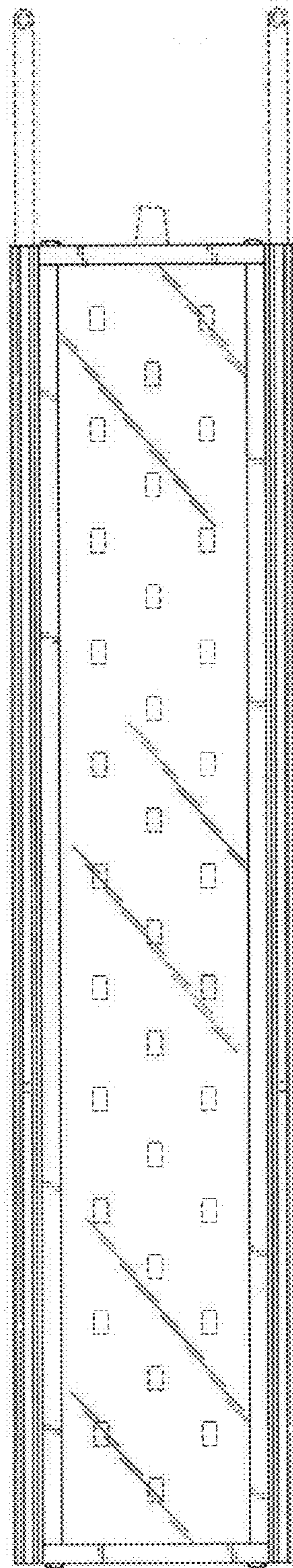


FIG. 8