



US00D706481S

(12) **United States Design Patent**  
**Holland et al.**

(10) **Patent No.:** **US D706,481 S**  
(45) **Date of Patent:** **\*\* Jun. 3, 2014**

- (54) **HIGH BAY LIGHT FIXTURE**
- (71) Applicant: **Lighting Science Group Corporation**,  
Satellite Beach, FL (US)
- (72) Inventors: **Eric Holland**, Indian Harbour Beach, FL  
(US); **Mark P. Boomgaarden**, Satellite  
Beach, FL (US); **Ricardo Romeu**,  
Melbourne, FL (US)
- (73) Assignee: **Lighting Science Group Corporation**,  
Satellite Beach, FL (US)
- (\*\*) Term: **14 Years**
- (21) Appl. No.: **29/443,158**
- (22) Filed: **Jan. 14, 2013**
- (51) **LOC (10) Cl.** ..... **26-03**
- (52) **U.S. Cl.**  
USPC ..... **D26/78**
- (58) **Field of Classification Search**  
USPC ..... D26/3, 24, 42, 66, 71, 72, 76, 77, 78,  
D26/81, 118, 119, 121, 122, 133, 138;  
D23/209, 227, 253, 260, 272, 317, 324,  
D23/330, 353, 354, 357, 370, 376, 389, 393,  
D23/394, 395, 397, 403; 362/216, 217.01,  
362/217.02, 217.05, 217.08, 217.09,  
362/217.15, 249.02, 260, 311.02, 321, 362,  
362/555, 612, 614, 800  
See application file for complete search history.

- 4,622,624 A \* 11/1986 McCarthy et al. .... 362/217.02
- D306,773 S \* 3/1990 Roulstone ..... D26/78
- D363,805 S \* 10/1995 Cole, Jr. .... D26/76
- D374,301 S \* 10/1996 Kleffman ..... D26/76
- 6,012,825 A \* 1/2000 Horner et al. .... 362/260
- D430,688 S \* 9/2000 Plunk ..... D26/76
- 7,147,346 B2 \* 12/2006 Grimmeisen ..... 362/217.05
- D572,358 S \* 7/2008 Nattrass et al. .... D23/397
- D597,248 S \* 7/2009 Lee et al. .... D26/122
- D601,296 S \* 9/2009 Lee et al. .... D26/122
- D644,374 S \* 8/2011 Ferrier ..... D26/118
- 2006/0023445 A1 \* 2/2006 Haugaard et al. .... 362/260

\* cited by examiner

*Primary Examiner* — Deanna L Pratt  
*Assistant Examiner* — Natasha Vujcic  
 (74) *Attorney, Agent, or Firm* — Mark R. Malek; Zies  
 Wideman & Malek

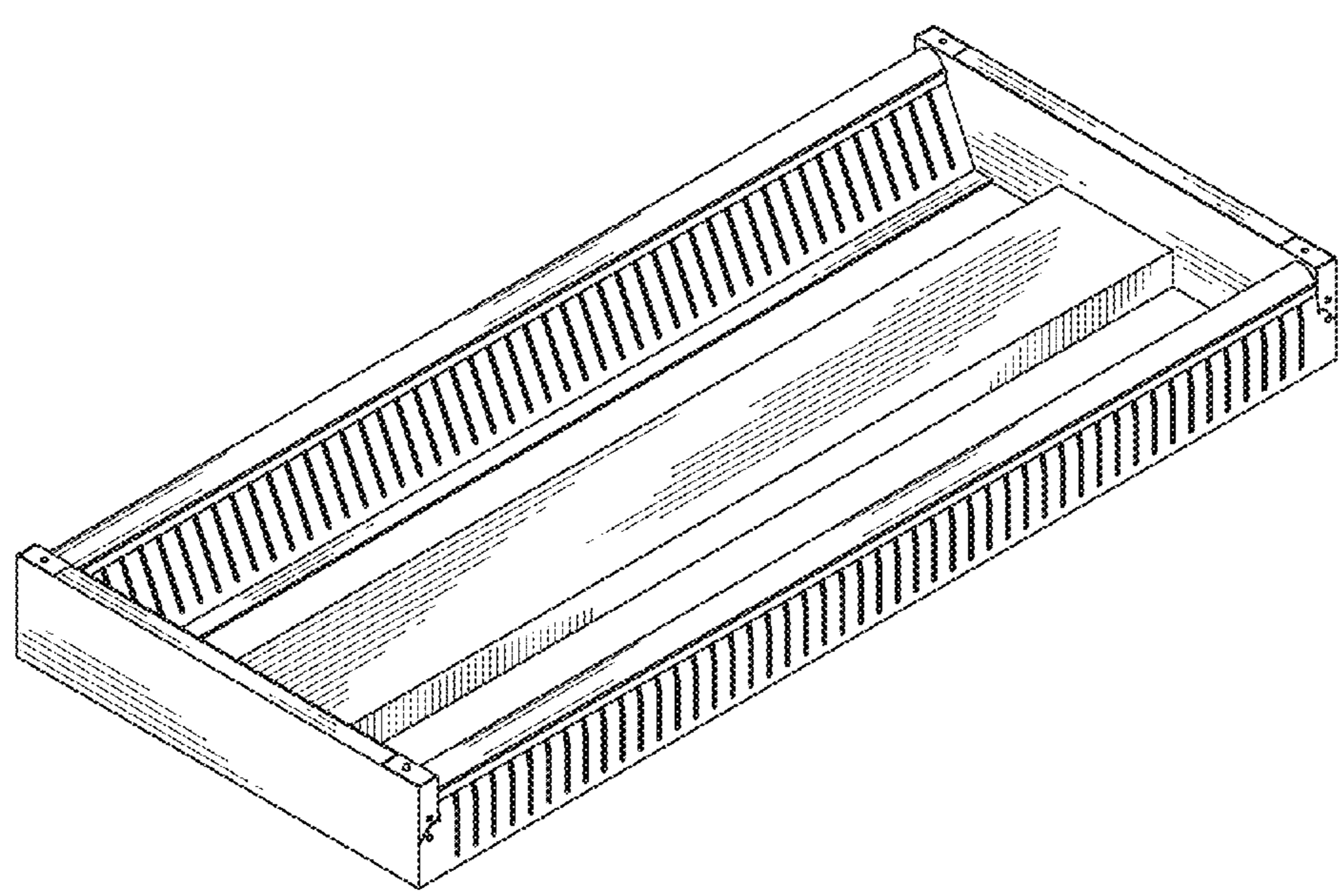
(57) **CLAIM**  
 The ornamental design for a high bay light fixture, as shown  
 and described.

**DESCRIPTION**

FIG. 1 is a top perspective view of a high bay light fixture  
 according to the present invention.  
 FIG. 2 is a bottom perspective view of the high bay light  
 fixture illustrated in FIG. 1.  
 FIG. 3 is a top plan view of the high bay light fixture illus-  
 trated in FIG. 1.  
 FIG. 4 is a bottom plan view the high bay light fixture illus-  
 trated in FIG. 1.  
 FIG. 5 is a side elevation view the high bay light fixture  
 illustrated in FIG. 1; and,  
 FIG. 6 is a front elevation view the high bay light fixture  
 illustrated in FIG. 1.

**1 Claim, 3 Drawing Sheets**

- (56) **References Cited**  
 U.S. PATENT DOCUMENTS  
 D181,911 S \* 1/1958 Reinecke ..... D23/354  
 D224,986 S \* 10/1972 Heenan ..... D26/122  
 D260,187 S \* 8/1981 Andersson ..... D26/76



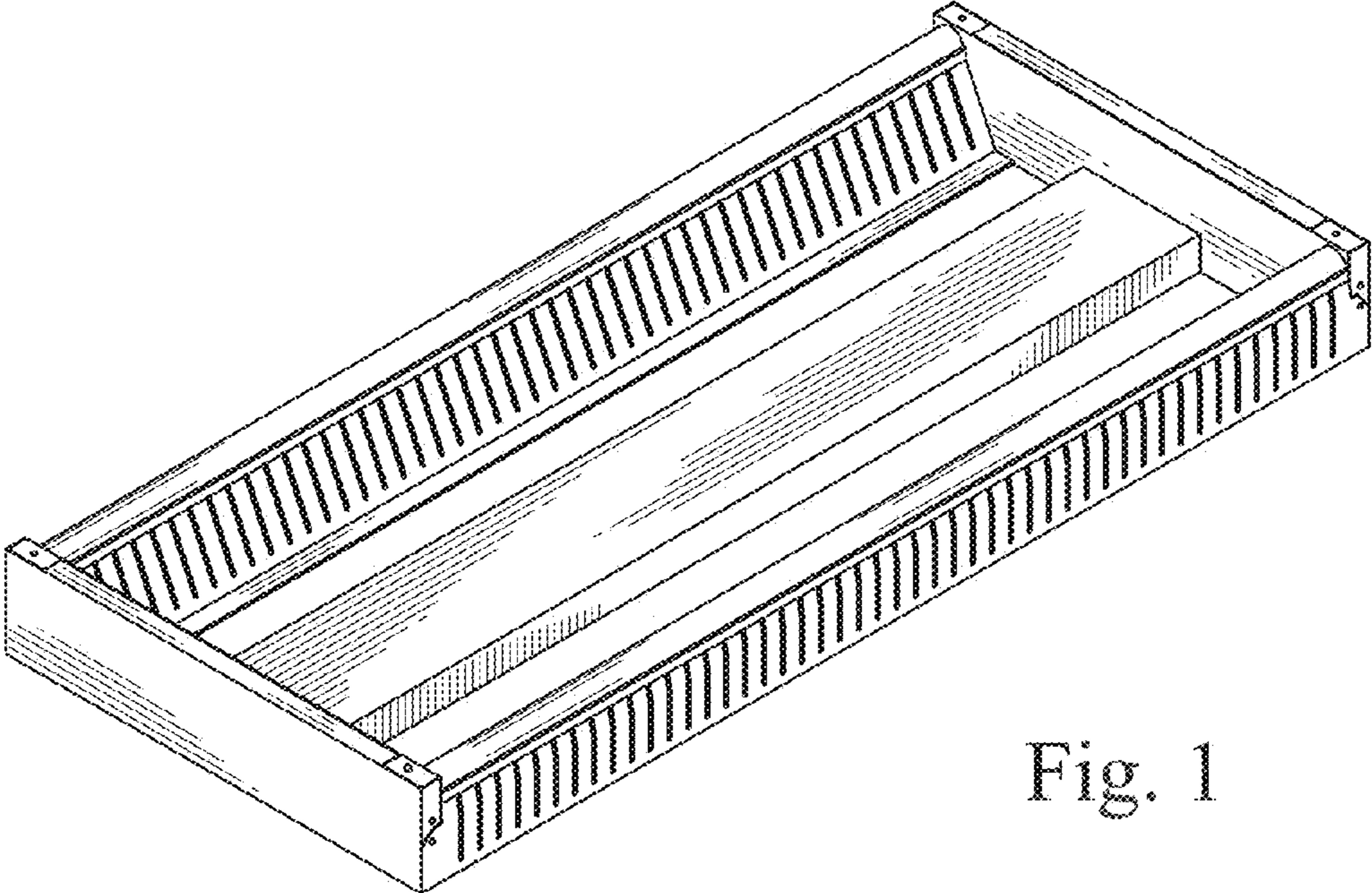


Fig. 1

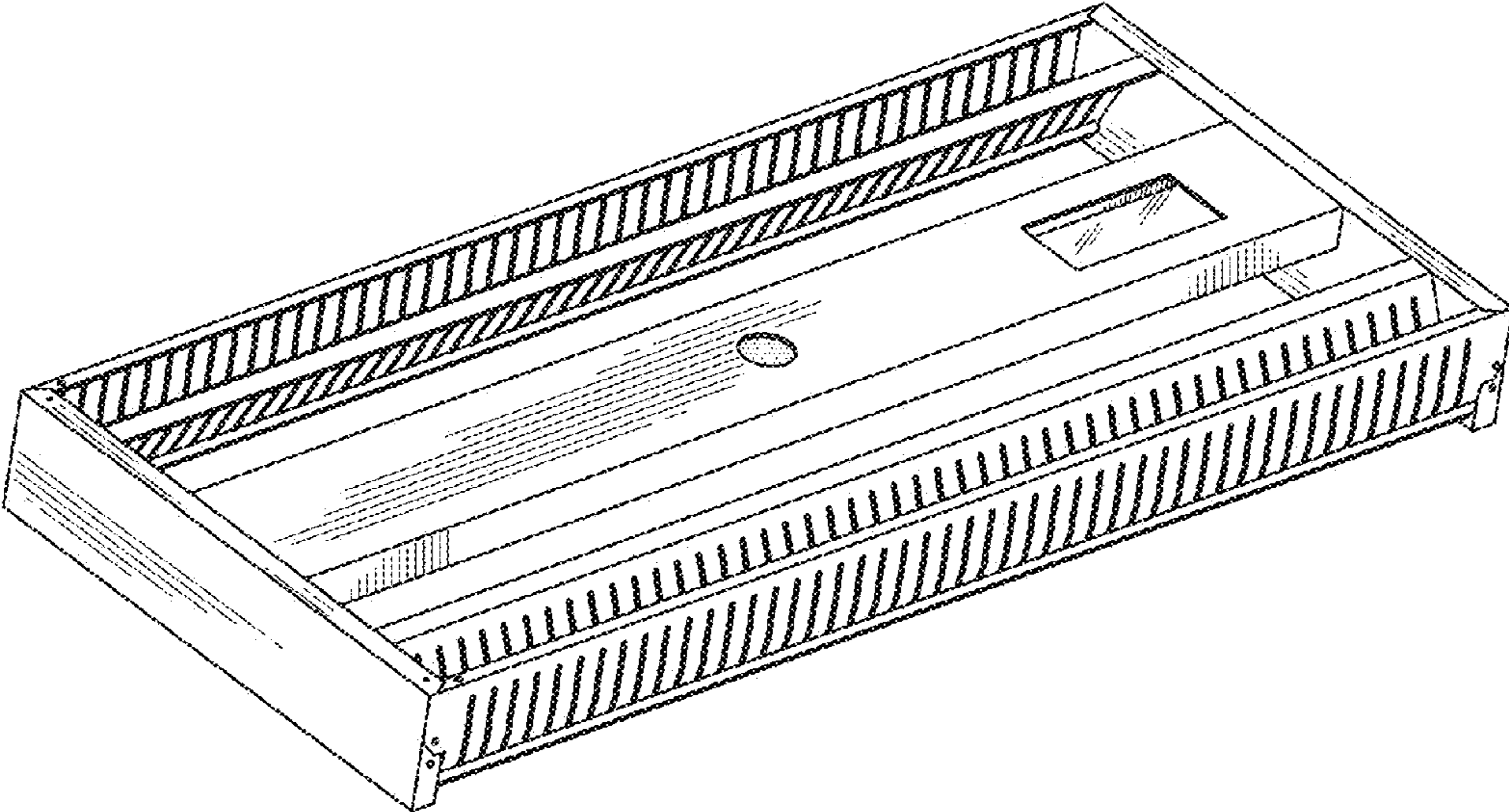


Fig. 2

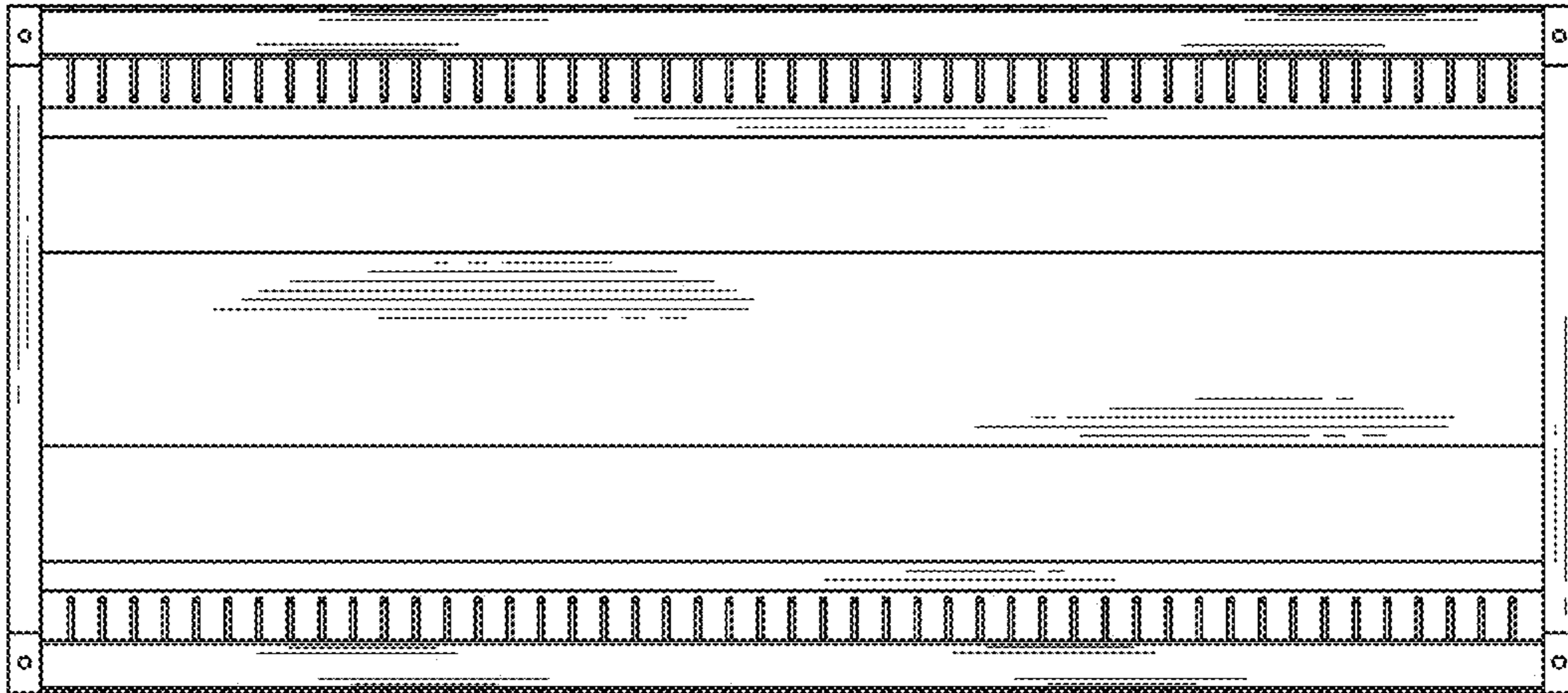


Fig. 3

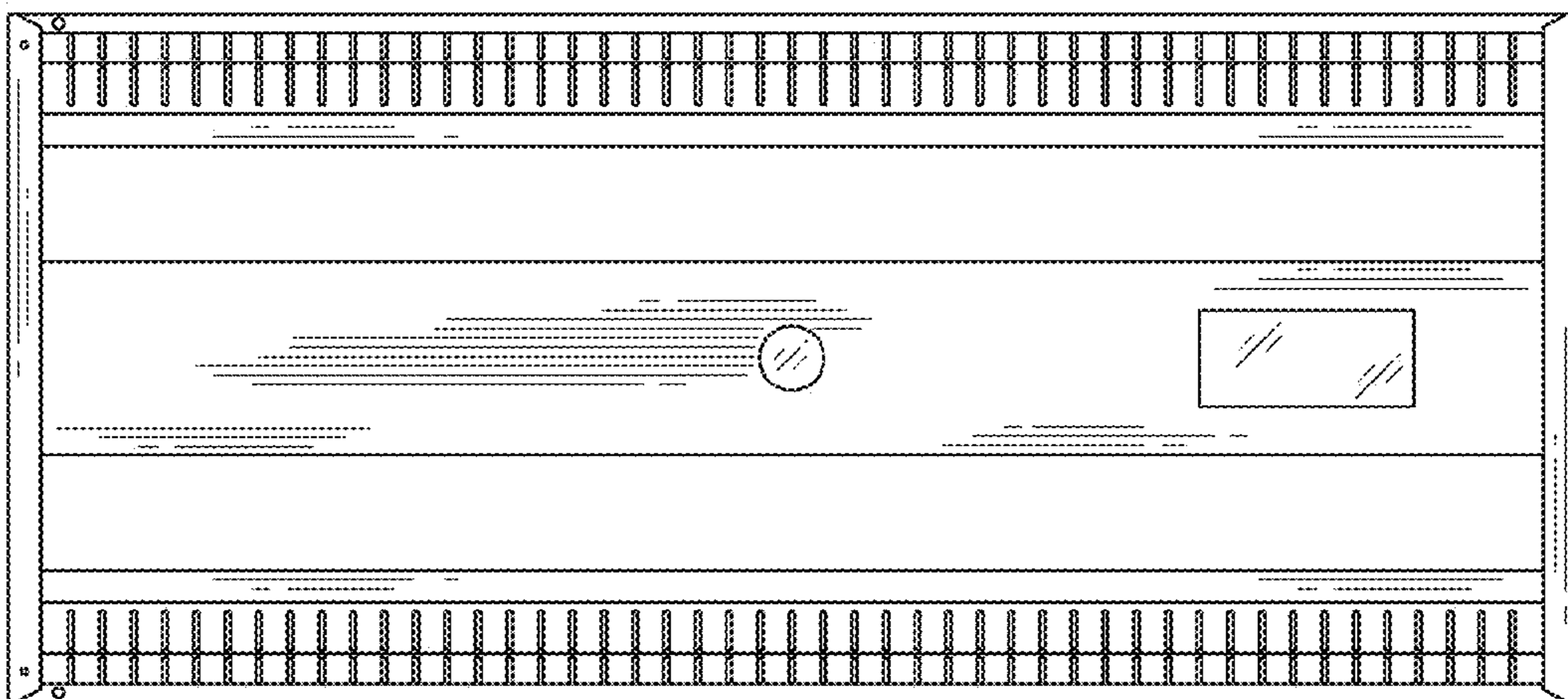


Fig. 4

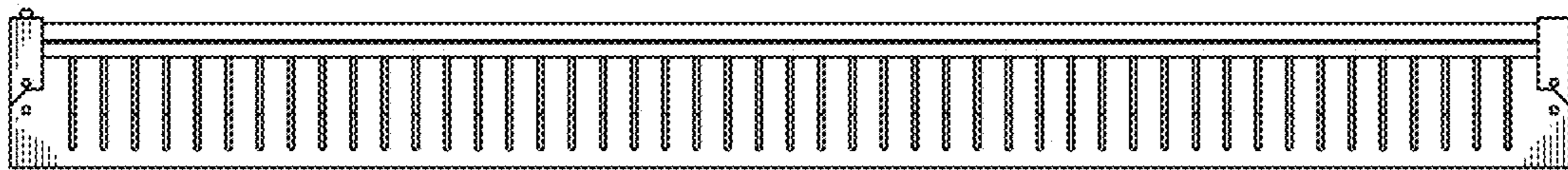


Fig. 5



Fig. 6