



US00D706478S

(12) **United States Design Patent**
Yuen

(10) **Patent No.:** **US D706,478 S**
(45) **Date of Patent:** **** Jun. 3, 2014**

(54) **DIRECTIONAL LED WORKLIGHT**

(56) **References Cited**

(75) Inventor: **Se Kit Yuen**, Kowloon (HK)

U.S. PATENT DOCUMENTS

(73) Assignee: **John Manufacturing Ltd.**, Kowloon (HK)

D570,024 S *	5/2008	Guercio	D26/63
D573,285 S *	7/2008	Zettl	D26/63
D573,286 S *	7/2008	Zettl	D26/63
D581,569 S *	11/2008	Levine	D26/61
D606,691 S *	12/2009	Lindholm	D26/63
D625,870 S *	10/2010	Feigenbaum	D26/63
D650,505 S *	12/2011	Oka	D26/63
D666,346 S *	8/2012	Gebhard et al.	D26/63
D674,949 S *	1/2013	Georgitsis et al.	D26/63

(**) Term: **14 Years**

(21) Appl. No.: **29/420,553**

(22) Filed: **May 10, 2012**

* cited by examiner

(30) **Foreign Application Priority Data**

Primary Examiner — Brian N Vinson

Mar. 28, 2012 (CN) 2012 3 0080339

(74) *Attorney, Agent, or Firm* — Rabin & Berdo, P.C.

(51) **LOC (10) Cl.** **26-05**

(57) **CLAIM**

(52) **U.S. Cl.**

The ornamental design for a directional LED worklight, as shown and described.

USPC **D26/63**

DESCRIPTION

(58) **Field of Classification Search**

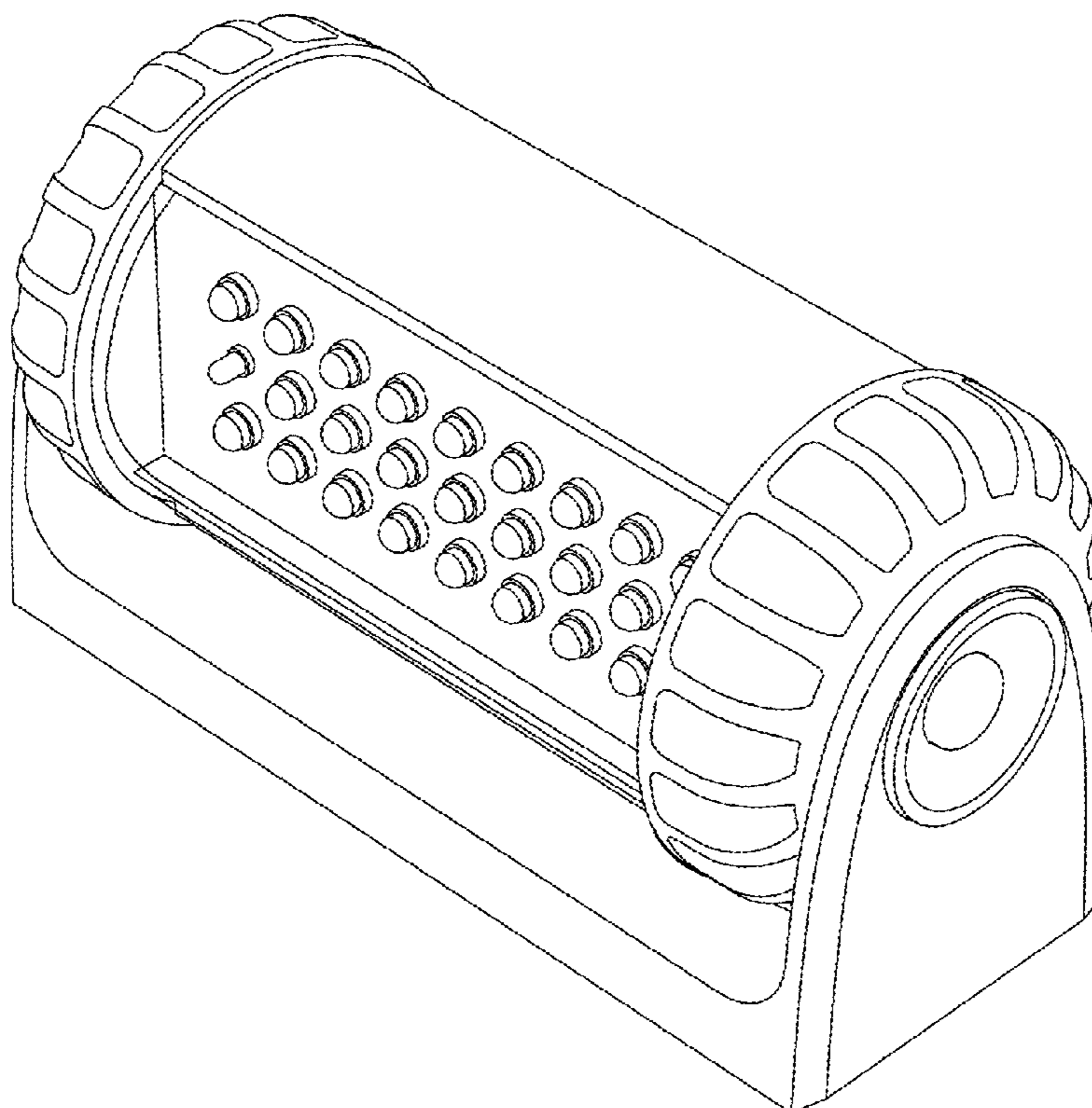
CPC F21K 9/00; F21V 5/007; F21V 7/005;
F21V 7/0083; F21V 11/04; F21V 15/01;
F21V 19/001; F21V 21/002; F21V 21/06;
F21V 21/0885; F21V 21/145; F21V 21/30;
F21V 33/0024

FIG. 1 is a front view of a directional LED worklight showing my new design;
FIG. 2 is a rear view thereof;
FIG. 3 is a left side view thereof;
FIG. 4 is a right side view thereof;
FIG. 5 is a top plan view thereof;
FIG. 6 is a bottom plan view thereof;
FIG. 7 is a perspective view thereof; and,
FIG. 8 is another perspective view thereof.

USPC D26/60-66, 72, 85, 87, 92, 86, 102;
362/145, 147, 269-271, 277, 282, 285,
362/289, 287, 640, 418, 427, 264, 294, 449,
362/268, 310, 311.01, 371-373

See application file for complete search history.

1 Claim, 5 Drawing Sheets



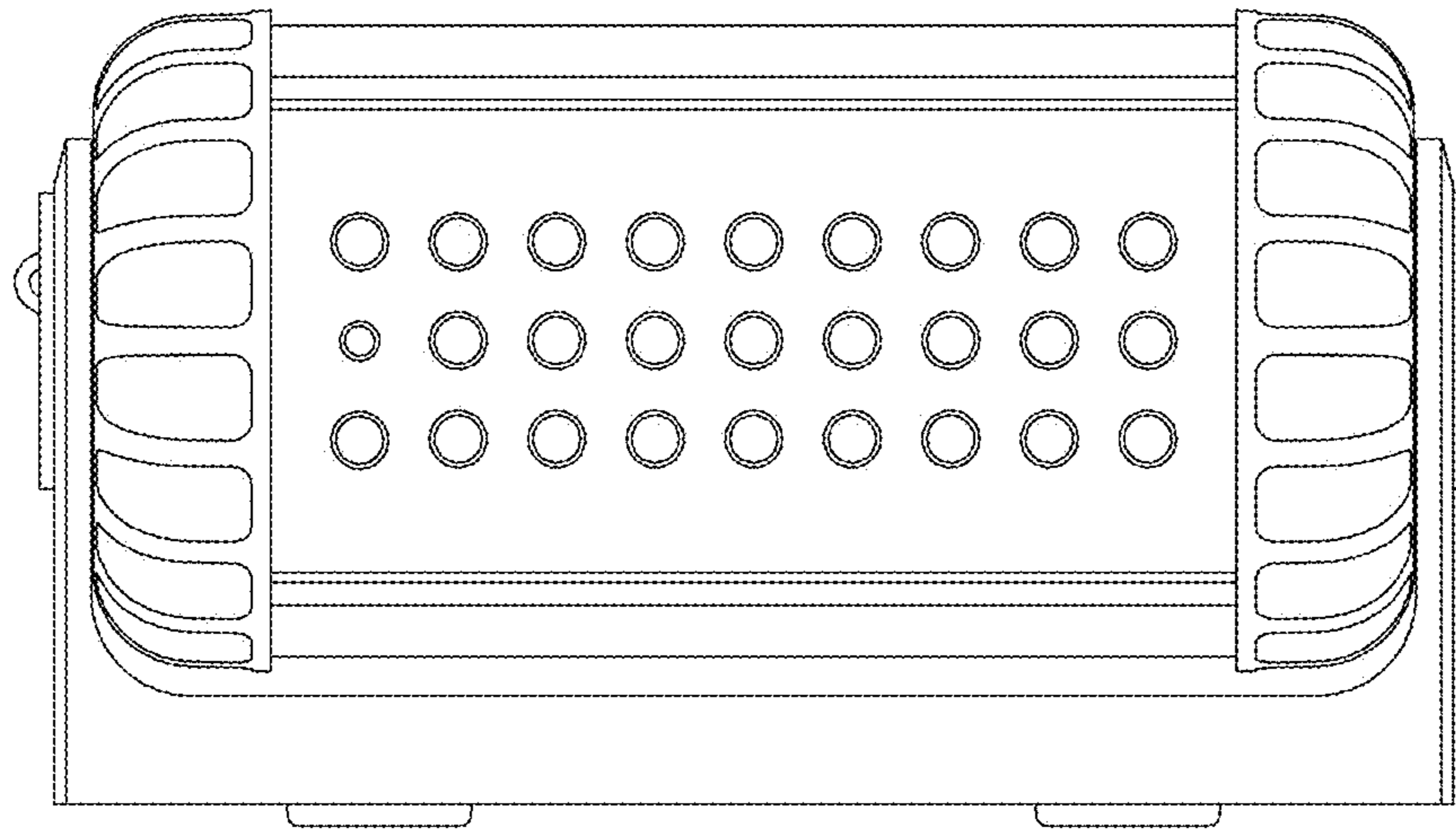


Fig. 1

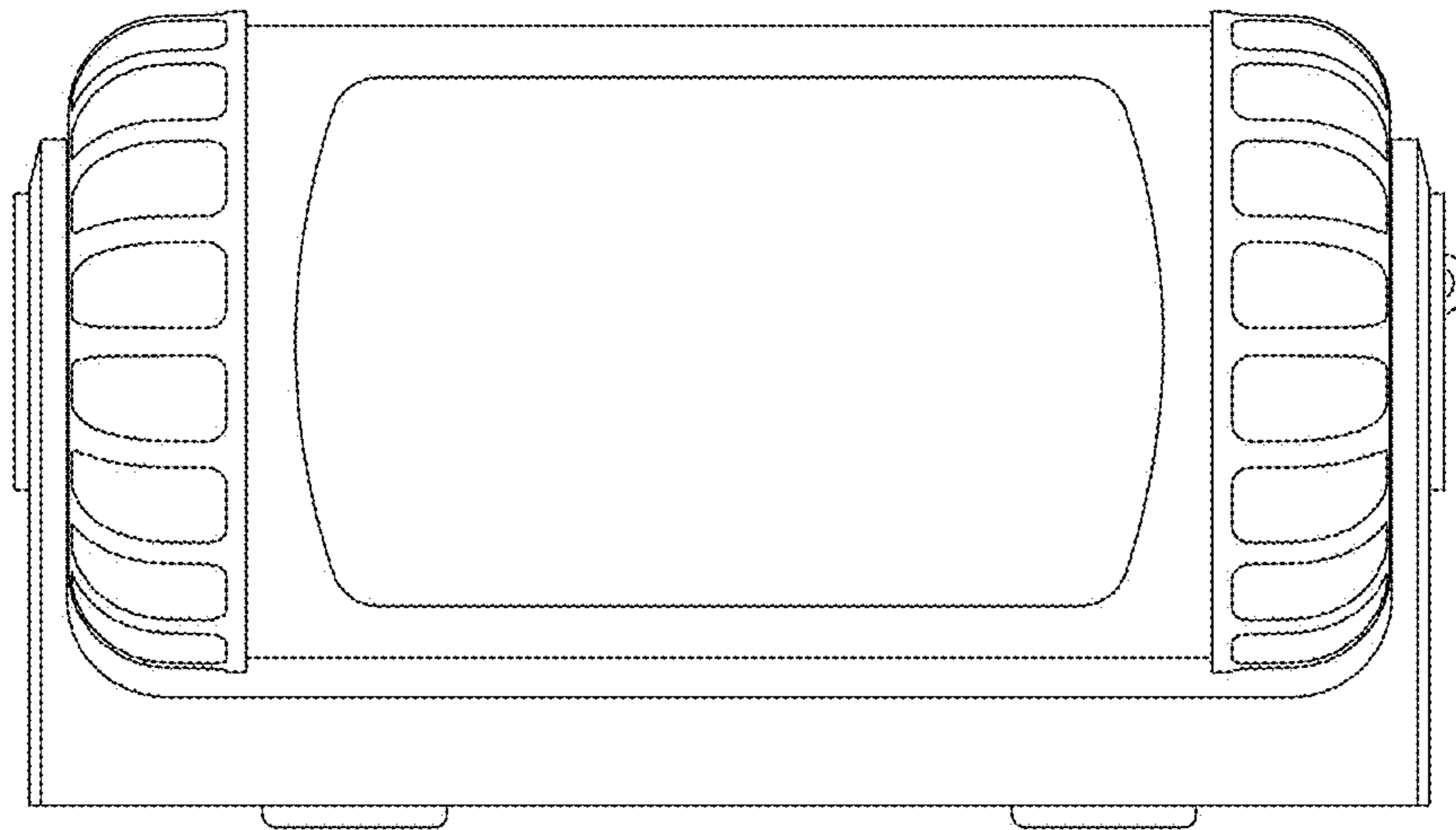


Fig. 2

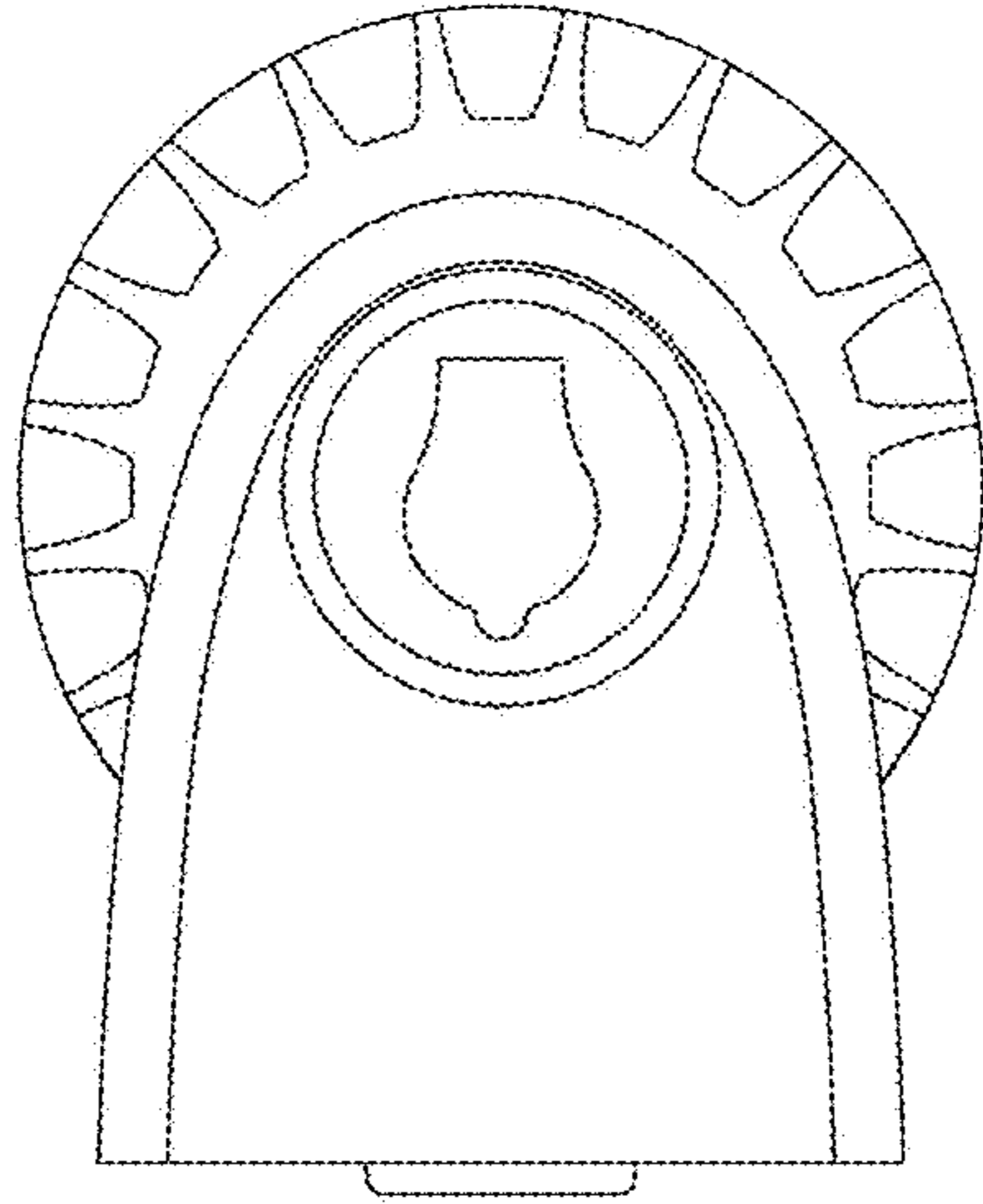


Fig. 3

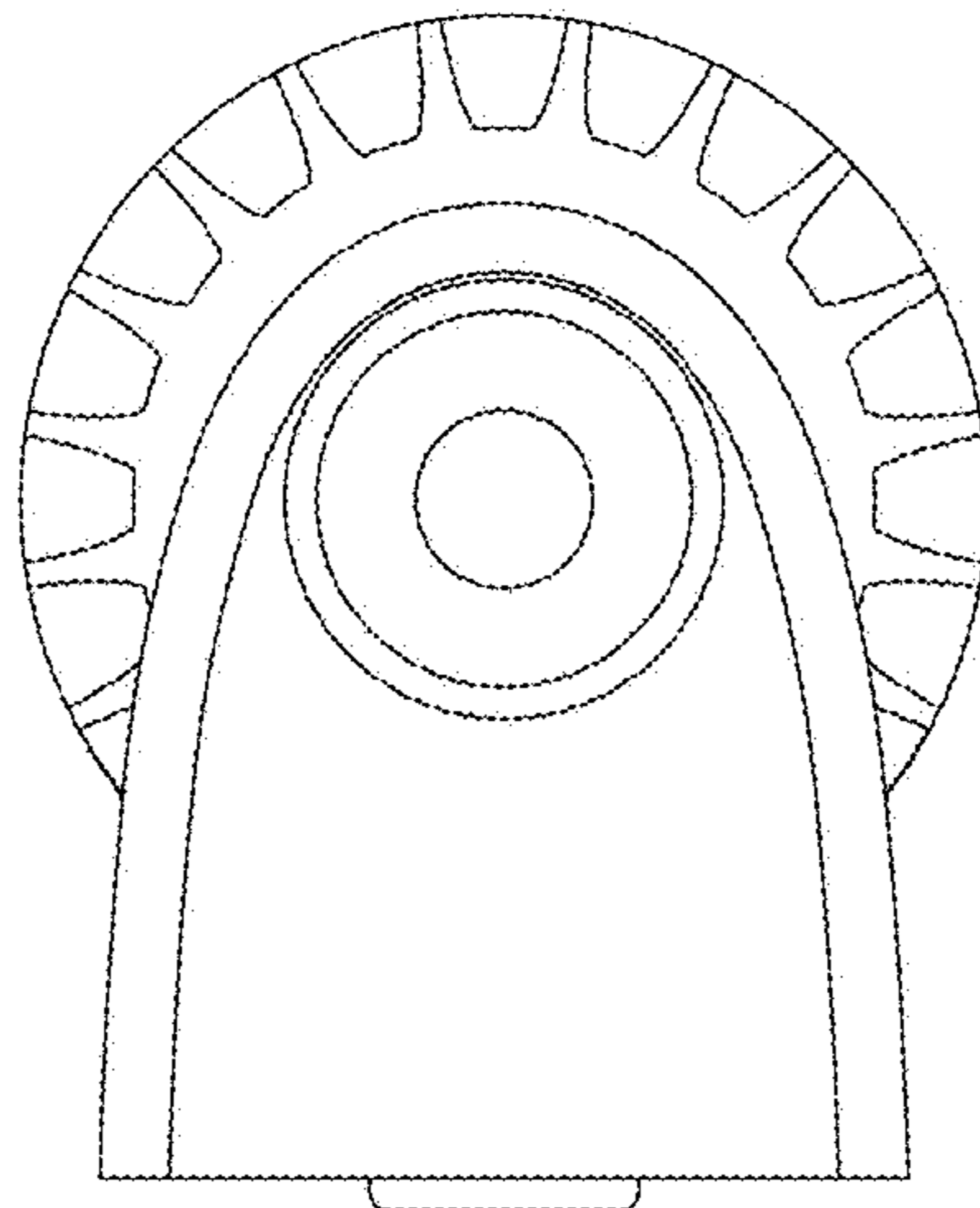


Fig. 4

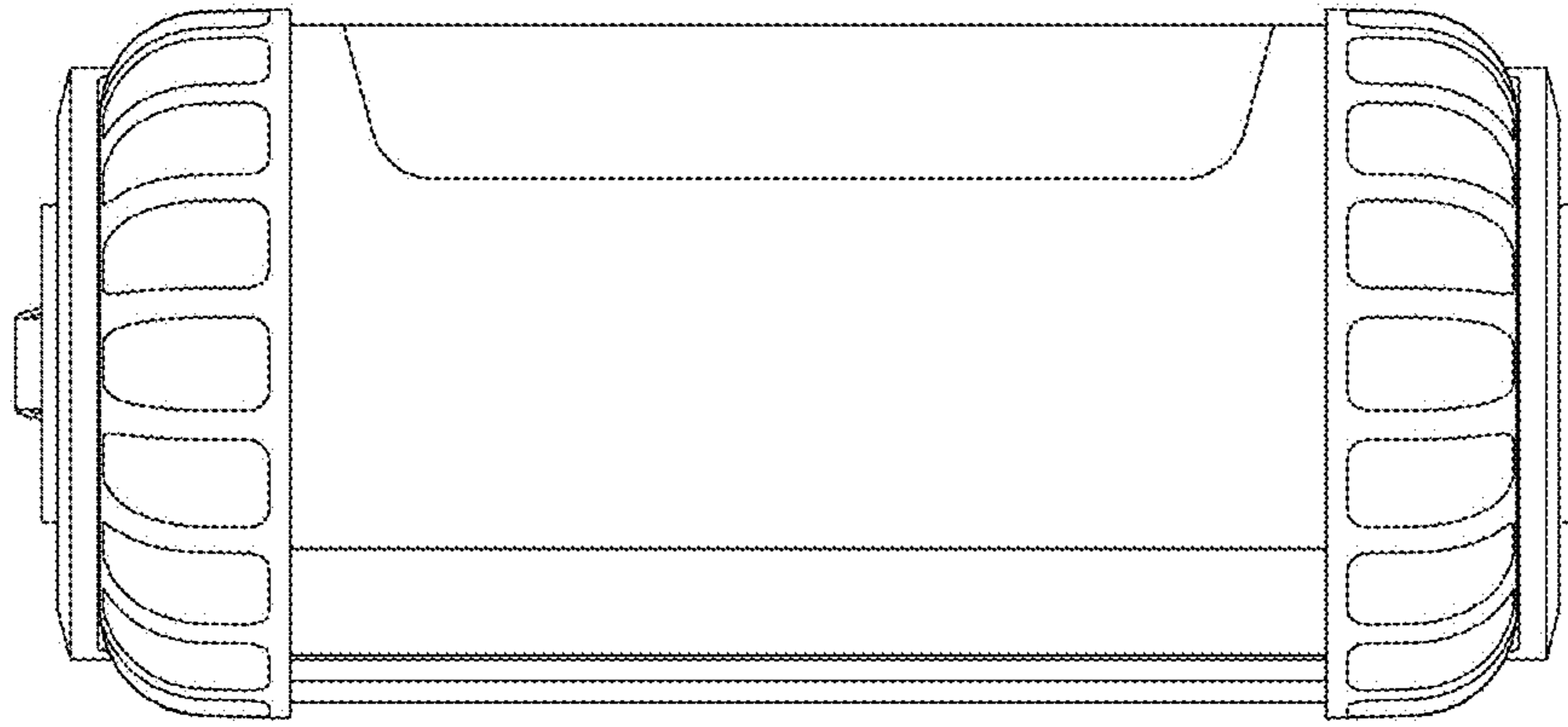


Fig. 5

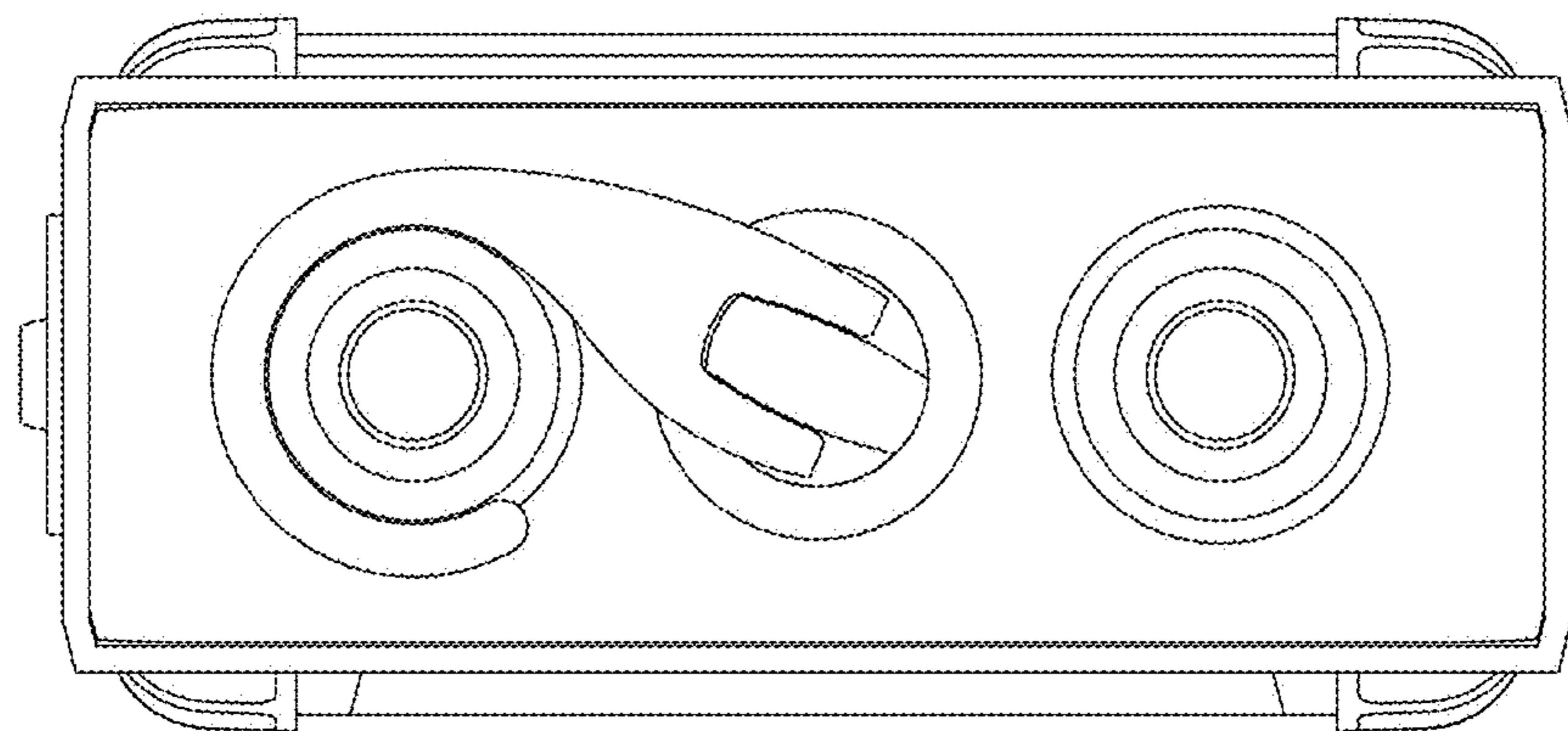


Fig. 6

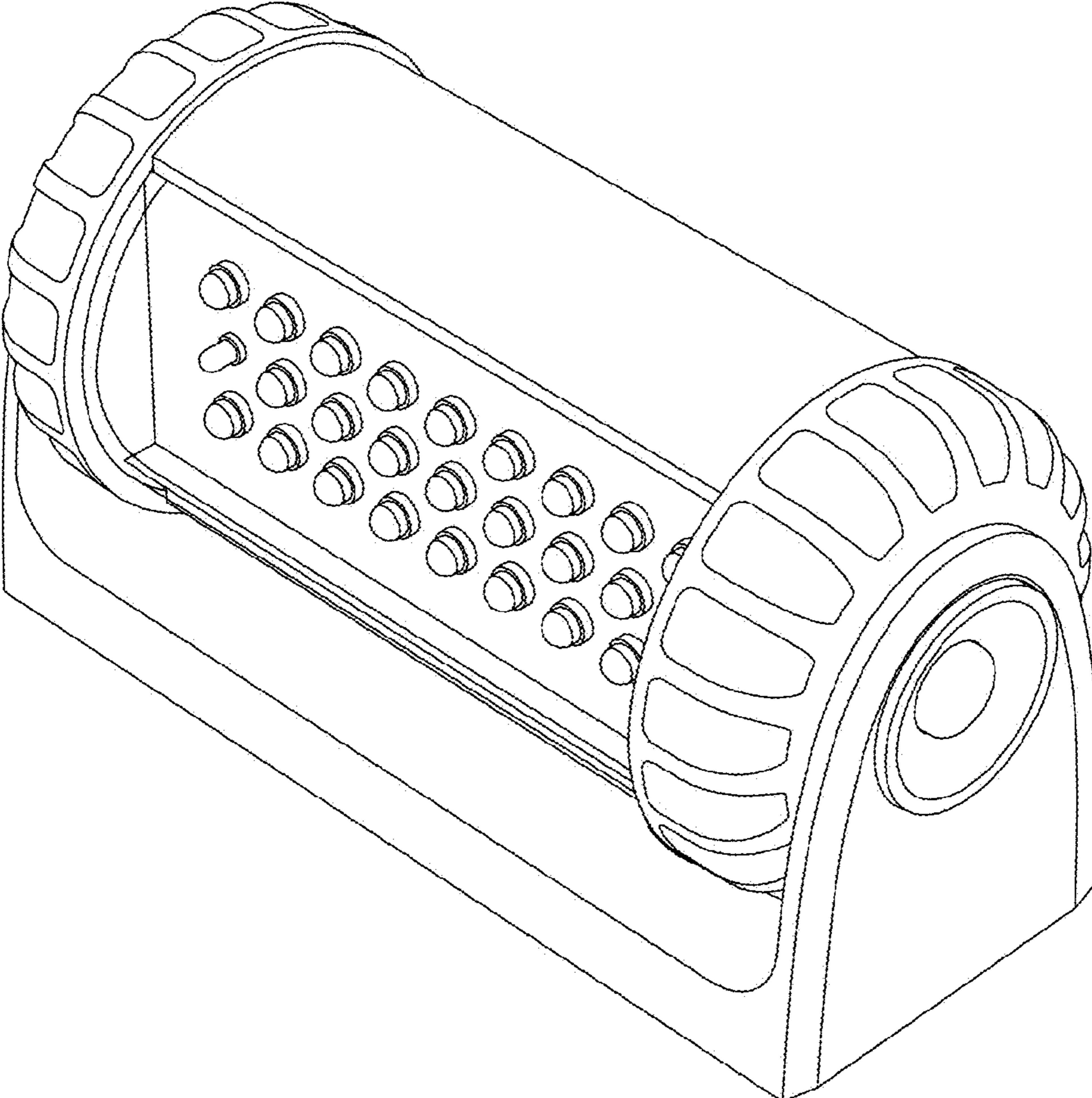


Fig. 7

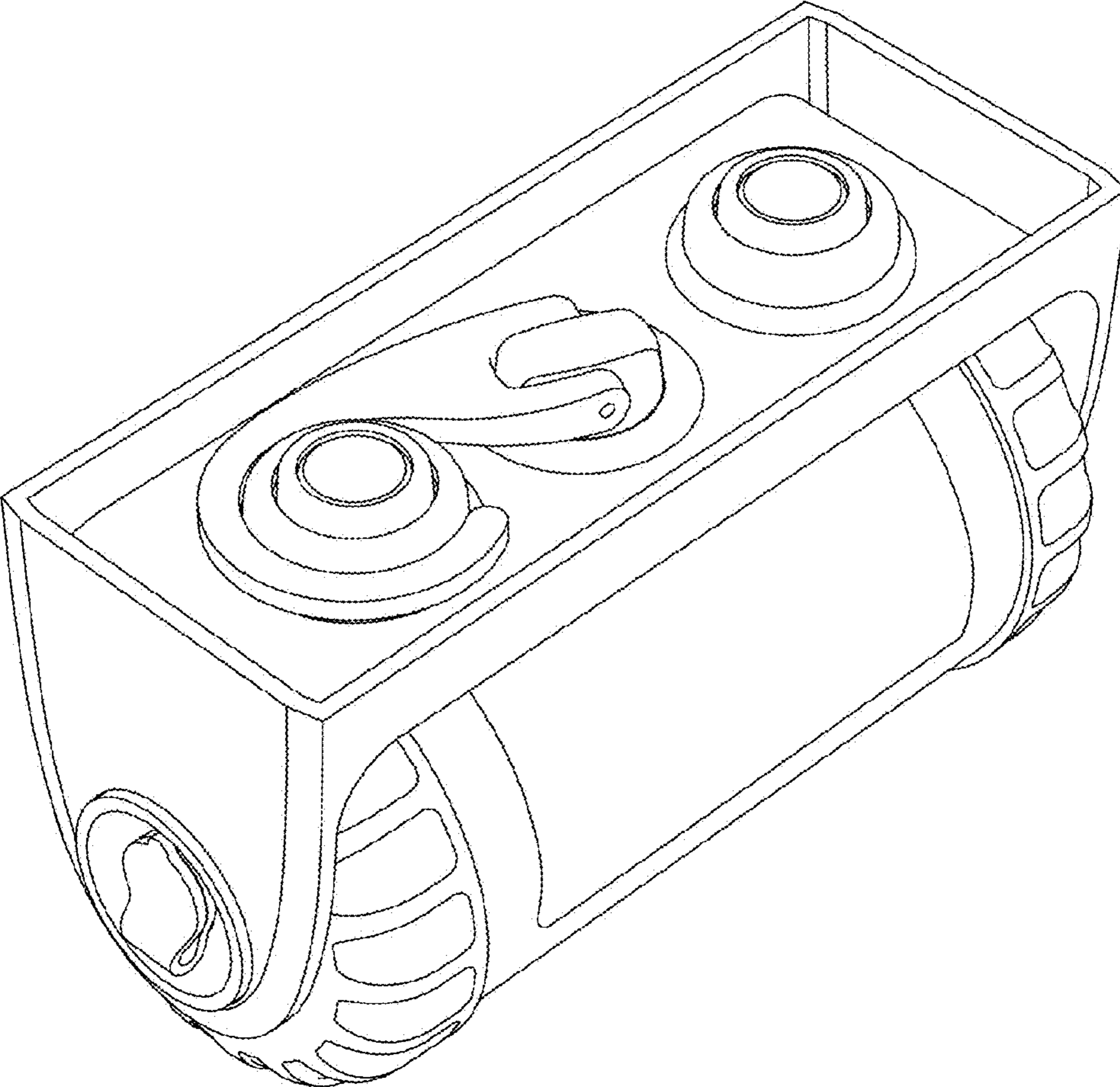


Fig. 8