

US00D706475S

(12) **United States Design Patent**  
**Lee**

(10) **Patent No.:** **US D706,475 S**  
(45) **Date of Patent:** **\*\* Jun. 3, 2014**

(54) **FLASHLIGHT**

(71) Applicant: **Wen-Sung Lee**, Taichung (TW)

(72) Inventor: **Wen-Sung Lee**, Taichung (TW)

(\*\*) Term: **14 Years**

(21) Appl. No.: **29/444,921**

(22) Filed: **Feb. 6, 2013**

(51) **LOC (10) Cl.** ..... **26-02**

(52) **U.S. Cl.**  
USPC ..... **D26/49**

(58) **Field of Classification Search**  
USPC ..... D26/37, 38, 46, 49; 362/157, 158, 183,  
362/184, 194–196, 202–208  
See application file for complete search history.

(56) **References Cited**

**U.S. PATENT DOCUMENTS**

D503,991 S *	4/2005	Dalton et al.	.....	D26/49
D513,642 S *	1/2006	Zhang	.....	D26/49
D527,481 S *	8/2006	Opolka	.....	D26/49
D548,861 S *	8/2007	Chapman	.....	D26/37
D572,395 S *	7/2008	Guelzow et al.	.....	D26/49
D596,772 S *	7/2009	Chang	.....	D26/49
D597,235 S *	7/2009	Chang	.....	D26/49
D629,543 S *	12/2010	Deguglimo et al.	.....	D26/49

D629,941 S *	12/2010	Robinson et al.	.....	D26/49
D639,476 S *	6/2011	Robinson	.....	D26/49
D639,477 S *	6/2011	Robinson	.....	D26/49
D670,418 S *	11/2012	Lee	.....	D26/49
D674,946 S *	1/2013	Bertken	.....	D26/49
D675,357 S *	1/2013	Shi	.....	D26/49
D685,940 S *	7/2013	Lee	.....	D26/49

\* cited by examiner

*Primary Examiner* — Ian Simmons

*Assistant Examiner* — Carissa C Fitts

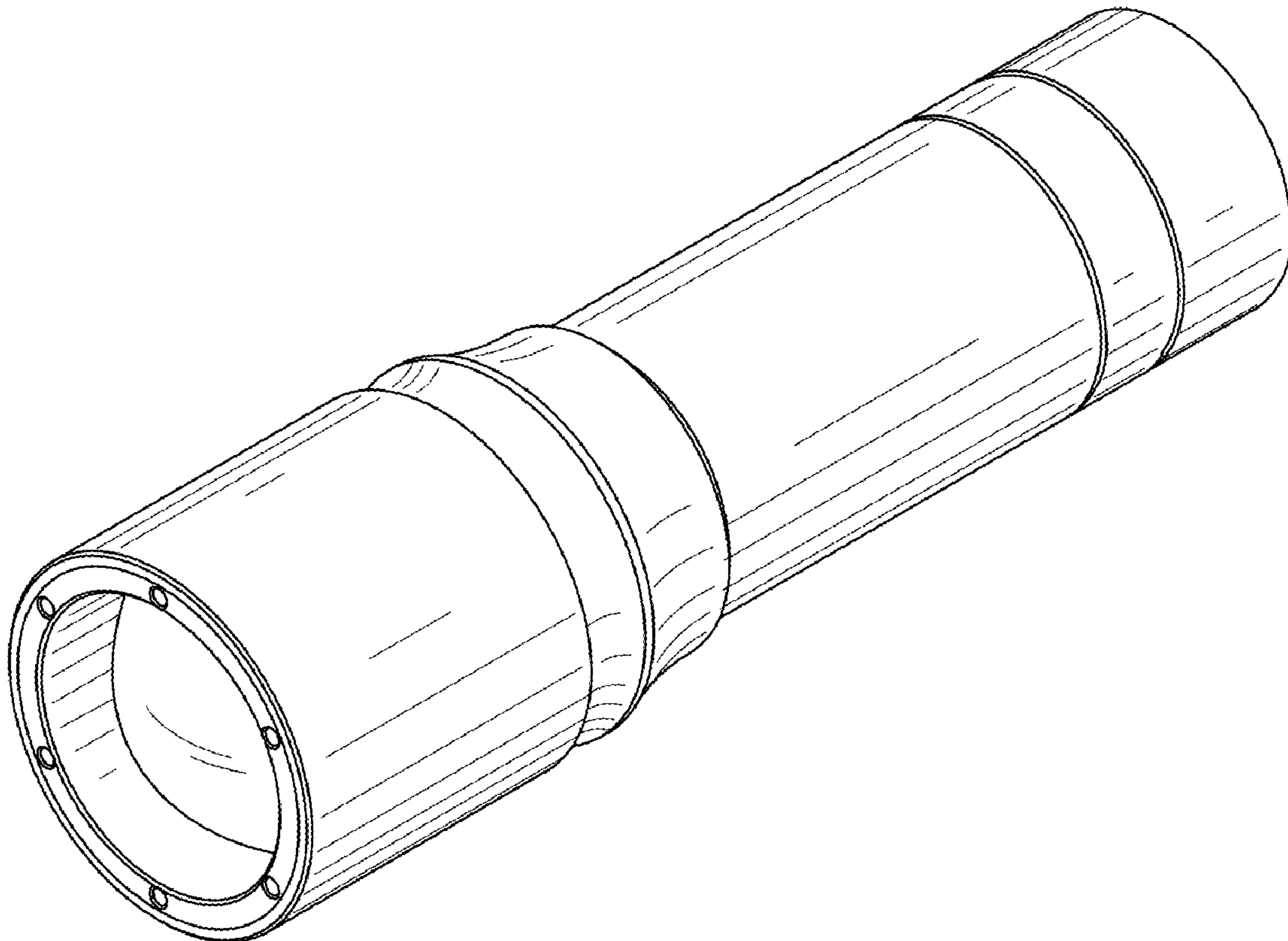
(57) **CLAIM**

The ornamental design for a flashlight, as shown and described.

**DESCRIPTION**

FIG. 1 is a perspective view of a flashlight showing my new design;  
FIG. 2 is a front elevational view thereof;  
FIG. 3 is a rear elevational view thereof;  
FIG. 4 is a left side view thereof;  
FIG. 5 is a right side view thereof;  
FIG. 6 is a top plan view thereof; and,  
FIG. 7 is a bottom plan view thereof.  
The broken line showing is for environmental purposes only and forms no part of the claimed design.

**1 Claim, 5 Drawing Sheets**



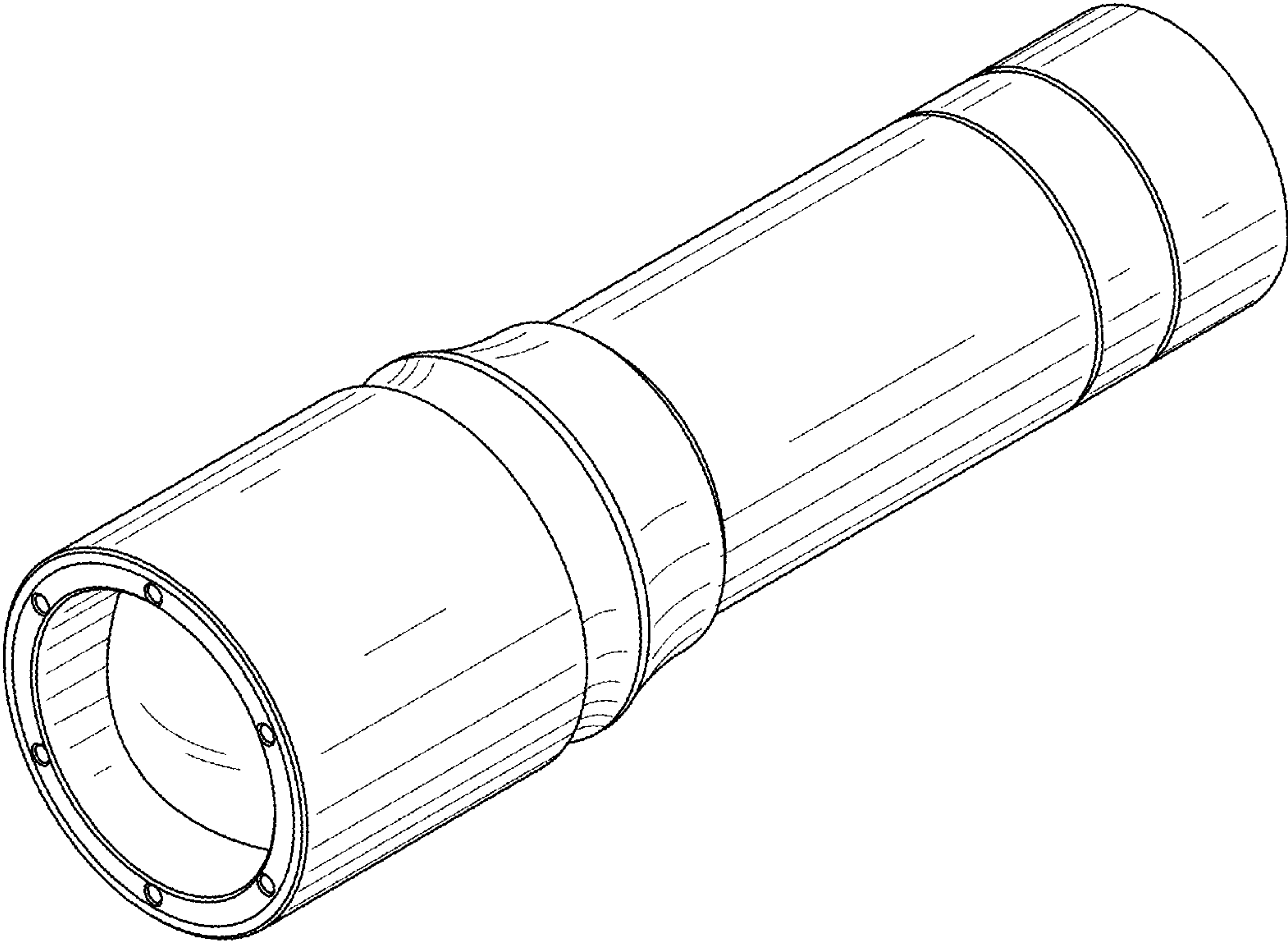


FIG.1

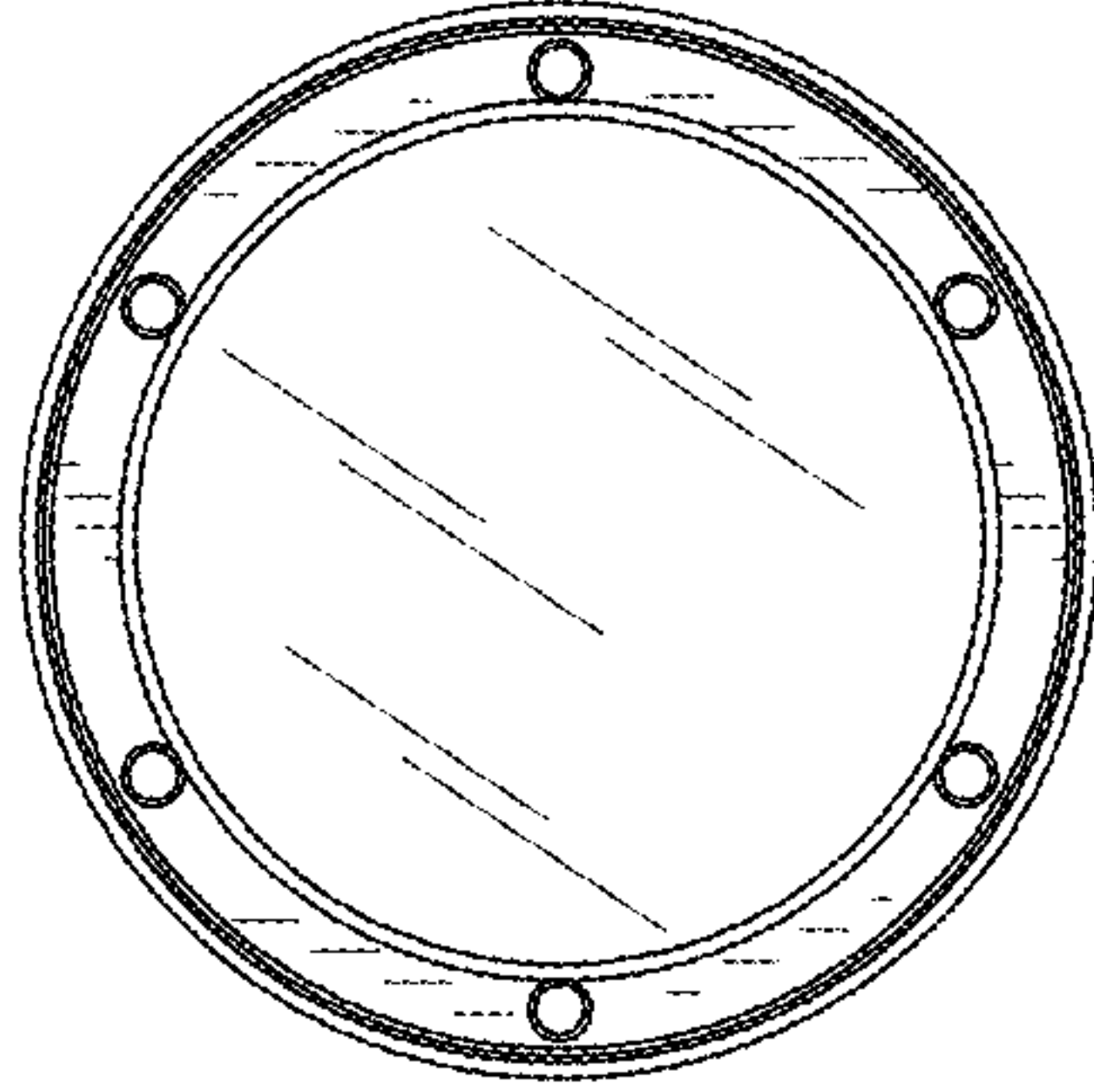


FIG. 2

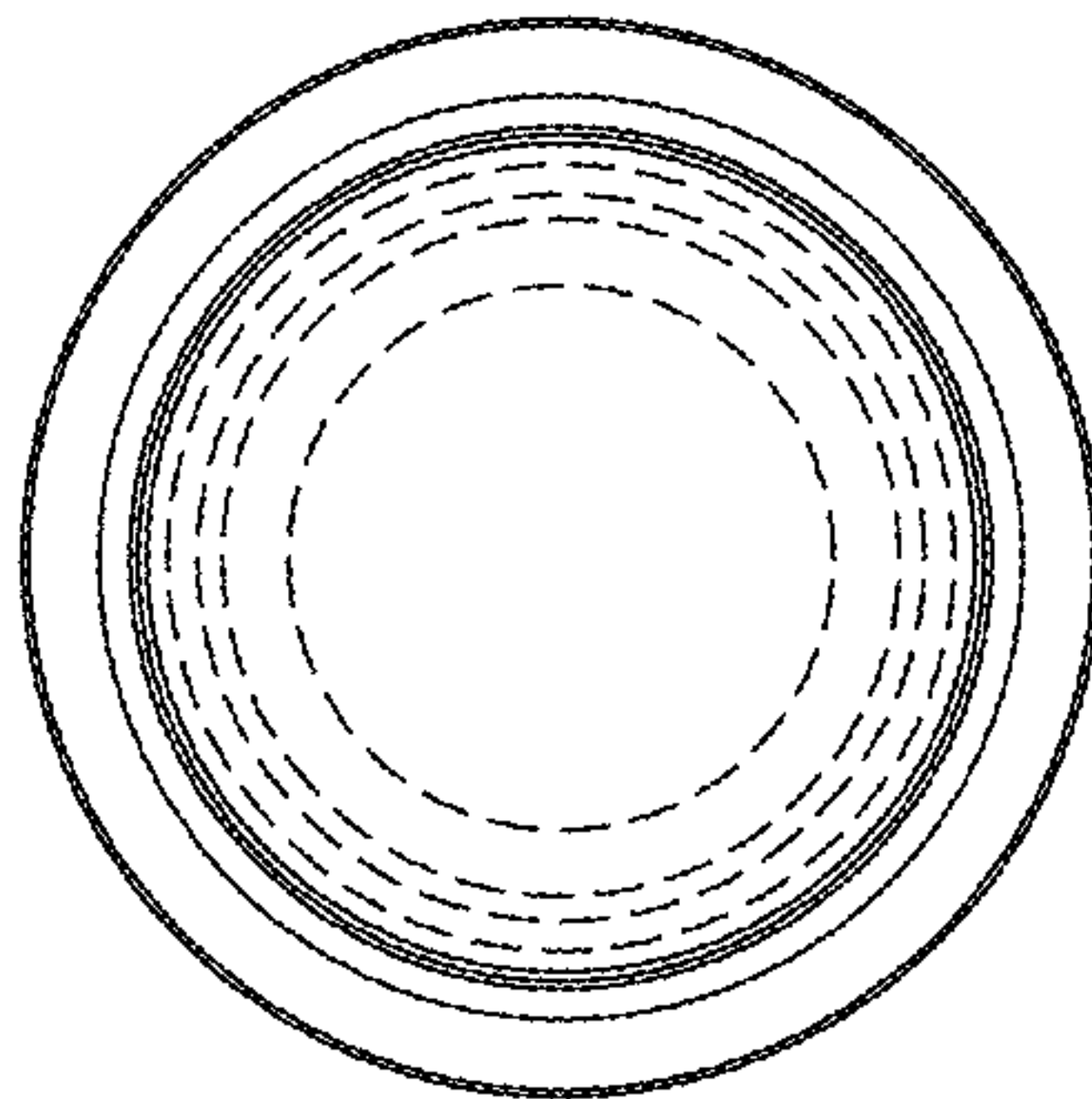


FIG. 3

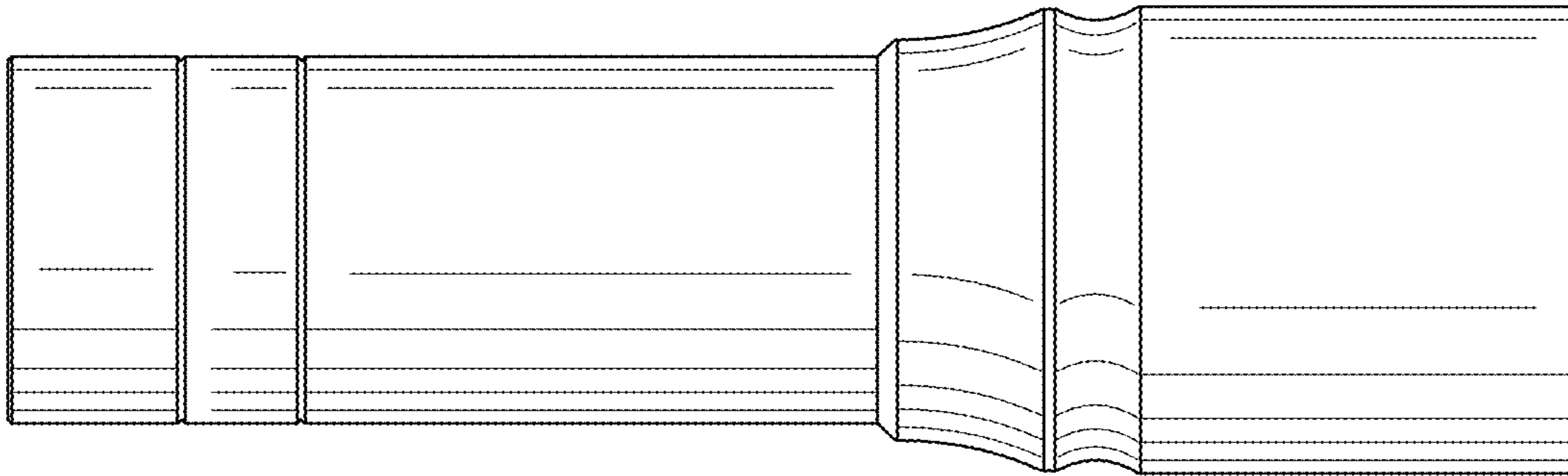


FIG. 4

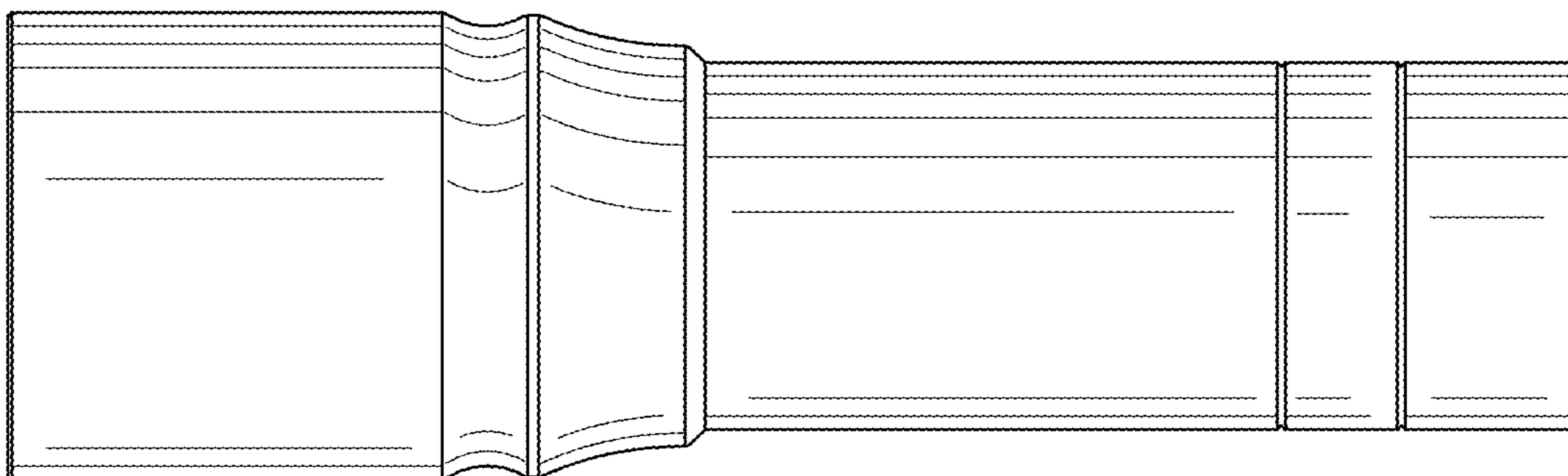


FIG. 5

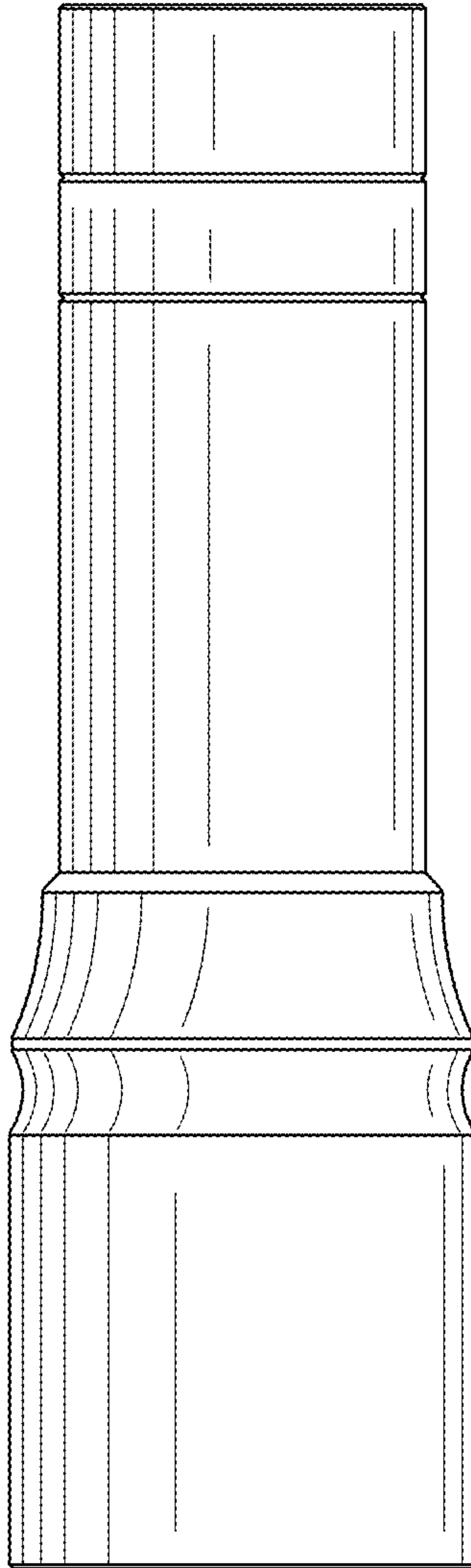


FIG.6

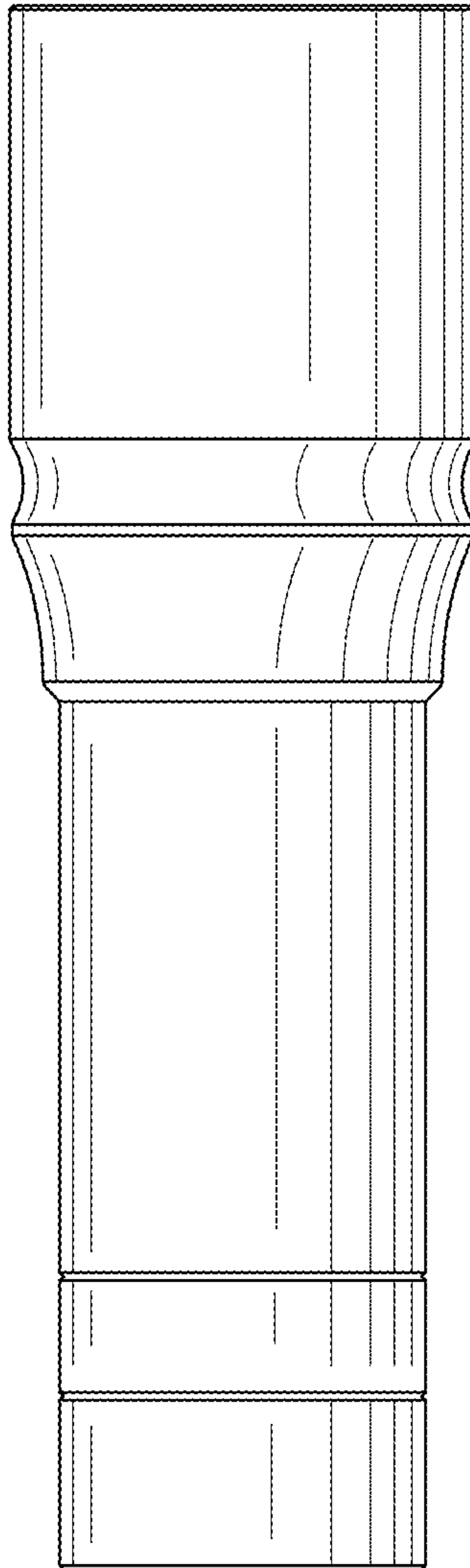


FIG.7