



US00D706472S

(12) **United States Design Patent**  
**Lai**

(10) **Patent No.:** **US D706,472 S**  
(45) **Date of Patent:** **\*\* Jun. 3, 2014**

(54) **EXTERIOR SURFACE CONFIGURATION OF  
VEHICULAR HEADLIGHT**

(75) Inventor: **Ching-Tsung Lai**, Tainan (TW)

(73) Assignee: **Litek Enterprise Co., Ltd.**, Tainan  
(TW)

(\*\*) Term: **14 Years**

(21) Appl. No.: **29/432,459**

(22) Filed: **Sep. 14, 2012**

(30) **Foreign Application Priority Data**

Aug. 28, 2012 (TW) ..... 101305032

(51) **LOC (10) Cl.** ..... **26-06**

(52) **U.S. Cl.**  
USPC ..... **D26/28**

(58) **Field of Classification Search**  
USPC ..... D26/28-36; 362/459-468, 475-478,  
362/485-487

See application file for complete search history.

(56) **References Cited**

U.S. PATENT DOCUMENTS

D528,681 S *	9/2006	Nakahara .....	D26/28
D528,685 S *	9/2006	Yoshida .....	D26/28
D544,114 S *	6/2007	Ohta .....	D26/28
D544,614 S *	6/2007	Markefka .....	D26/28
D549,857 S *	8/2007	Lin .....	D26/28
D561,358 S *	2/2008	Tachibana .....	D26/28

\* cited by examiner

*Primary Examiner* — Marcus Jackson

(74) *Attorney, Agent, or Firm* — Muncy, Geissler, Olds & Lowe, P.C.

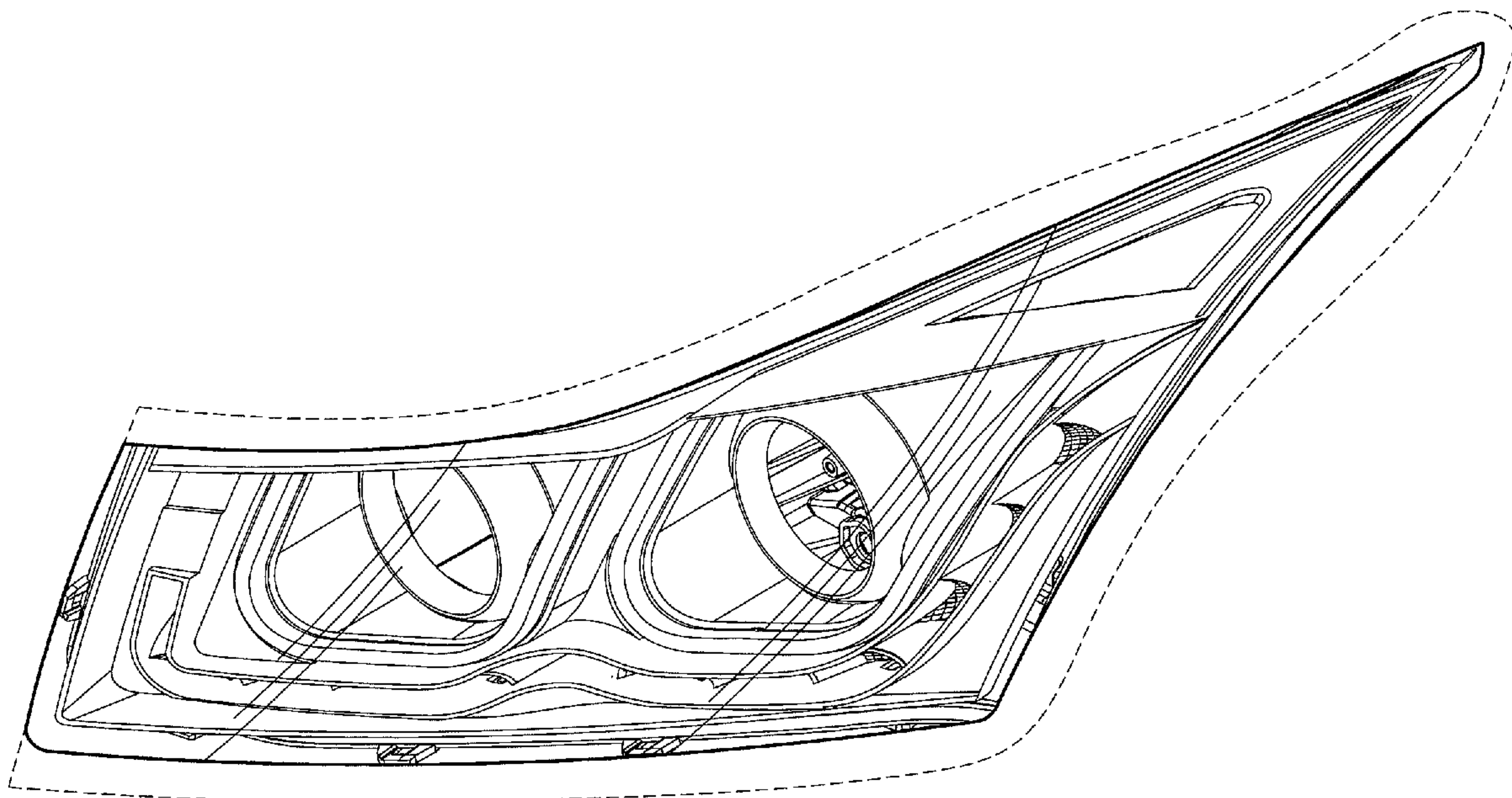
(57) **CLAIM**

I claim, the ornamental design for an exterior surface configuration of a vehicular headlight, as shown and described.

**DESCRIPTION**

FIG. 1 is a perspective view of an exterior surface configuration of a vehicular headlight showing my present design; FIG. 2 is a front view thereof; FIG. 3 is a right view thereof; and, FIG. 4 is a top plan view thereof.

**1 Claim, 4 Drawing Sheets**



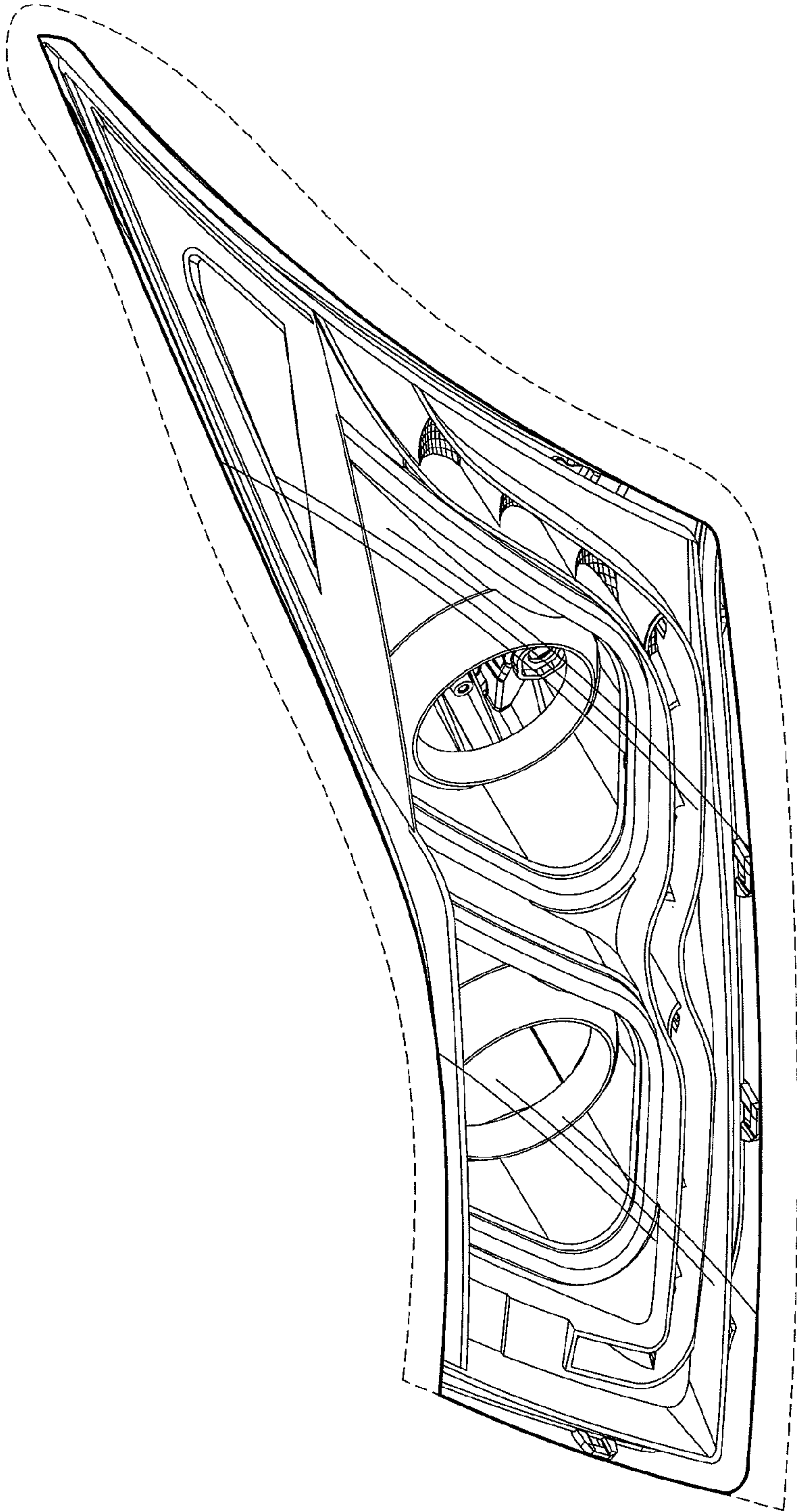


FIG. 1

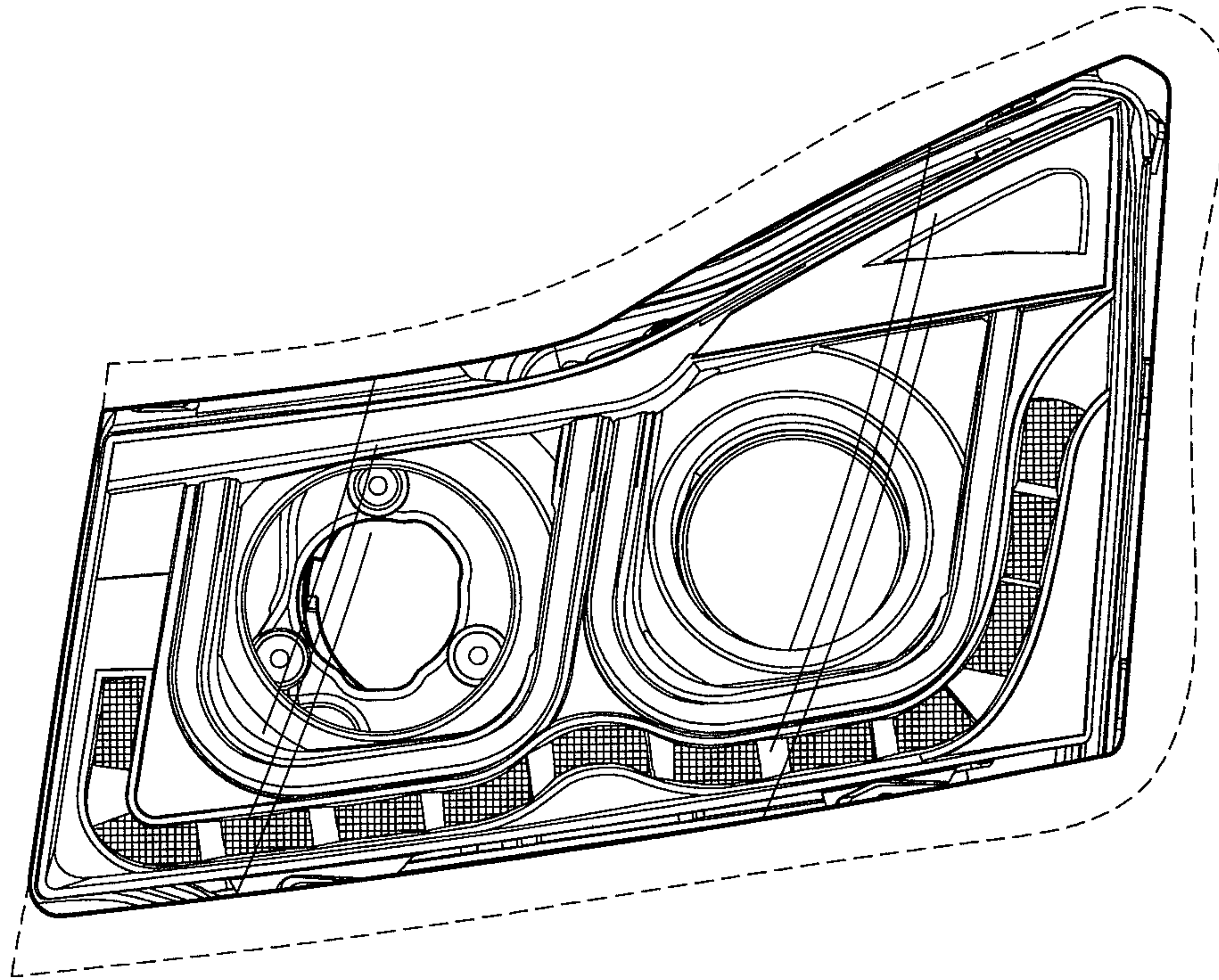


FIG. 2



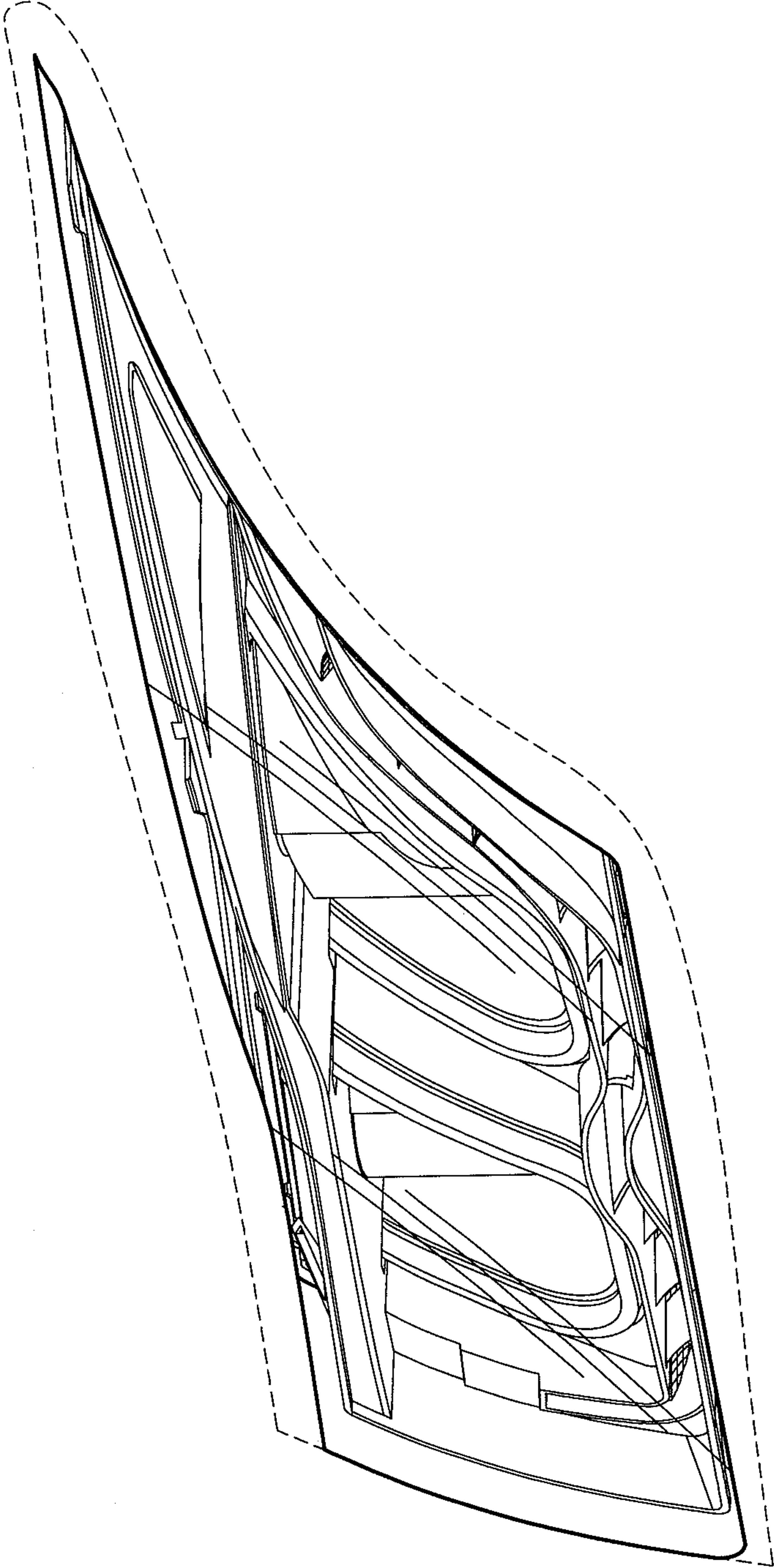


FIG. 3

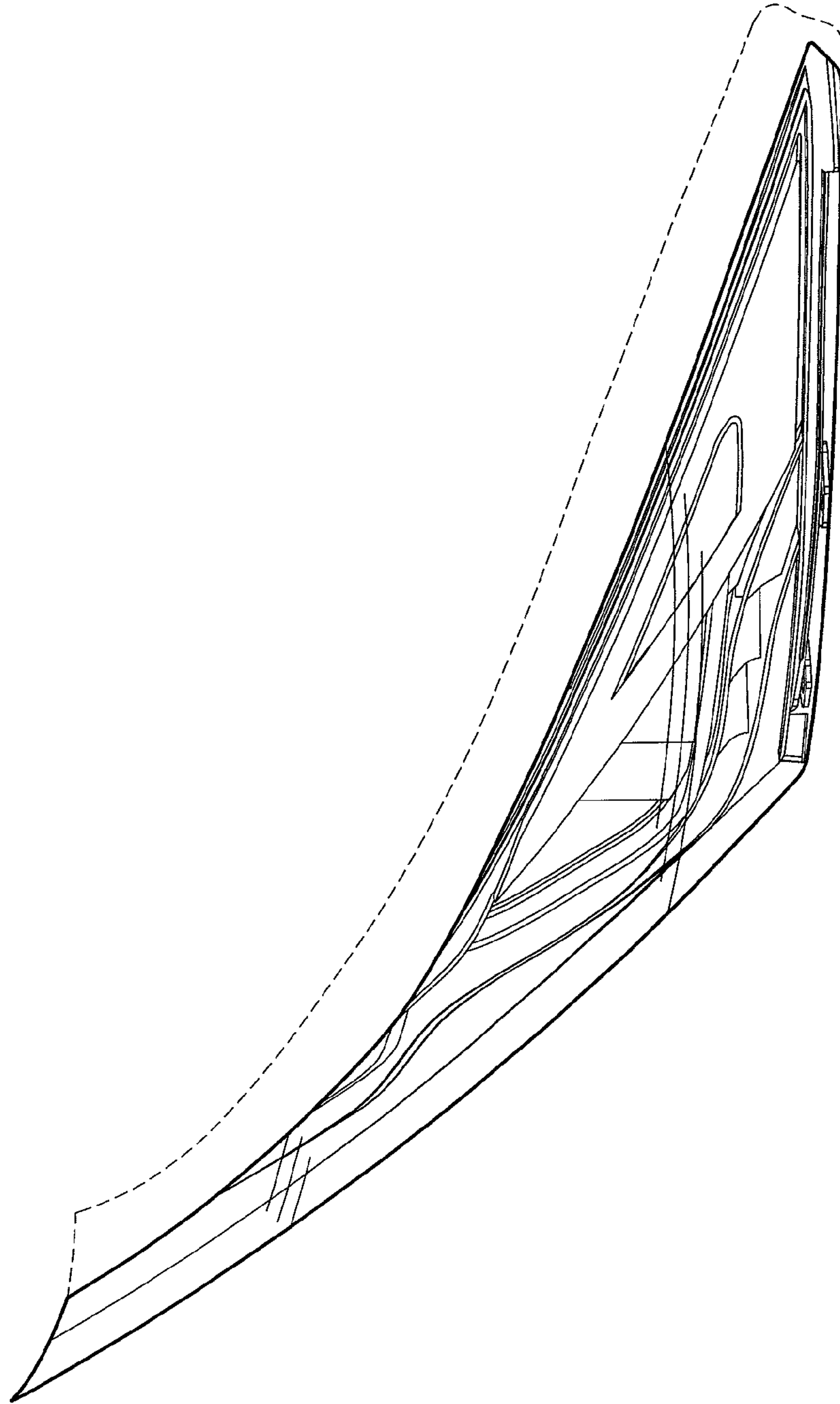


FIG . 4