



US00D706471S

(12) **United States Design Patent**
Lai

(10) **Patent No.:** **US D706,471 S**
(45) **Date of Patent:** **** Jun. 3, 2014**

(54) **EXTERIOR SURFACE CONFIGURATION OF
VEHICULAR HEADLIGHT**

(56) **References Cited**

(75) Inventor: **Ching-Tsung Lai**, Tainan (TW)

U.S. PATENT DOCUMENTS

(73) Assignee: **Litek Enterprise Co., Ltd.**, Tainan
(TW)

D528,681 S *	9/2006	Nakahara	D26/28
D528,685 S *	9/2006	Yoshida	D26/28
D544,114 S *	6/2007	Ohta	D26/28
D544,614 S *	6/2007	Markefka	D26/28
D549,857 S *	8/2007	Lin	D26/28
D561,358 S *	2/2008	Tachibana	D26/28
D593,232 S *	5/2009	Koman et al.	D26/28

(**) Term: **14 Years**

* cited by examiner

(21) Appl. No.: **29/432,454**

Primary Examiner — Marcus Jackson

(22) Filed: **Sep. 14, 2012**

(74) *Attorney, Agent, or Firm* — Muncy, Geissler, Olds & Lowe, P.C.

(51) **LOC (10) Cl.** **26-06**

(57) **CLAIM**

(52) **U.S. Cl.**
USPC **D26/28**

I claim, the ornamental design for an exterior surface configuration of a vehicular headlight, as shown and described.

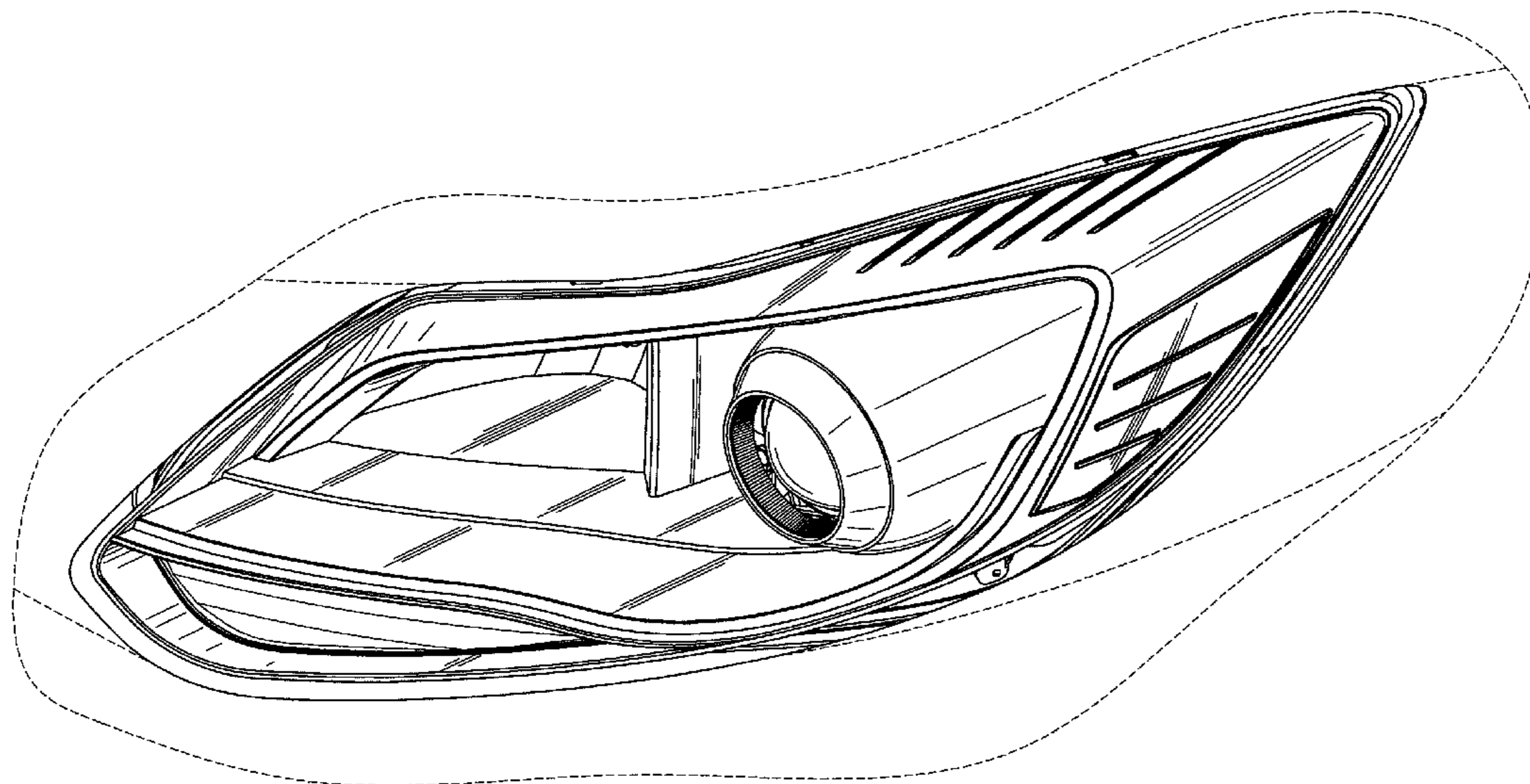
(58) **Field of Classification Search**
USPC D26/28-36; 362/459-468, 475-478,
362/485-487

DESCRIPTION

FIG. 1 is a perspective view of an exterior surface configuration of a vehicular headlight showing my present design; FIG. 2 is a front view thereof; FIG. 3 is a right view thereof; and, FIG. 4 is a top plan view thereof.

See application file for complete search history.

1 Claim, 4 Drawing Sheets



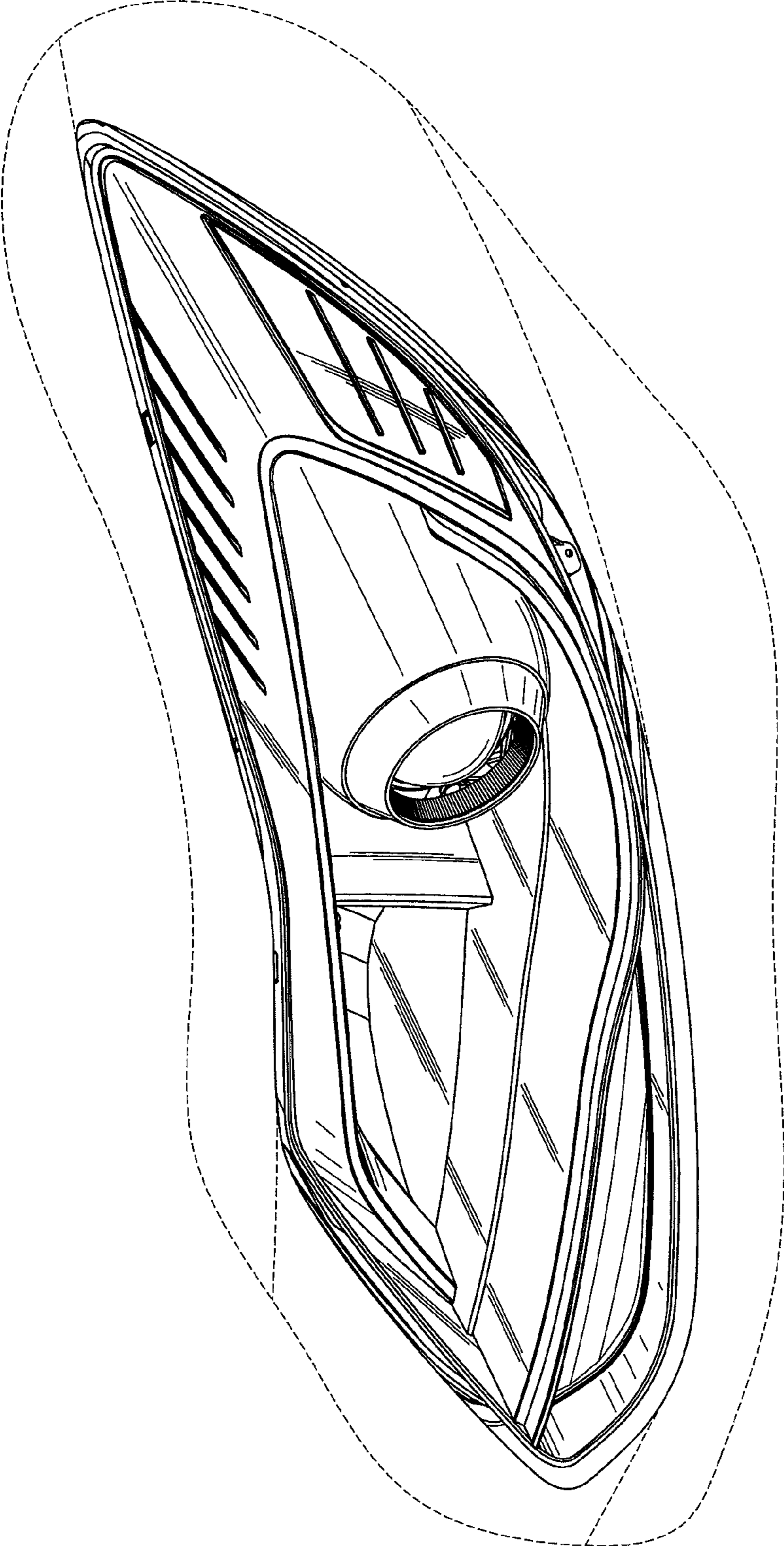


FIG. 1

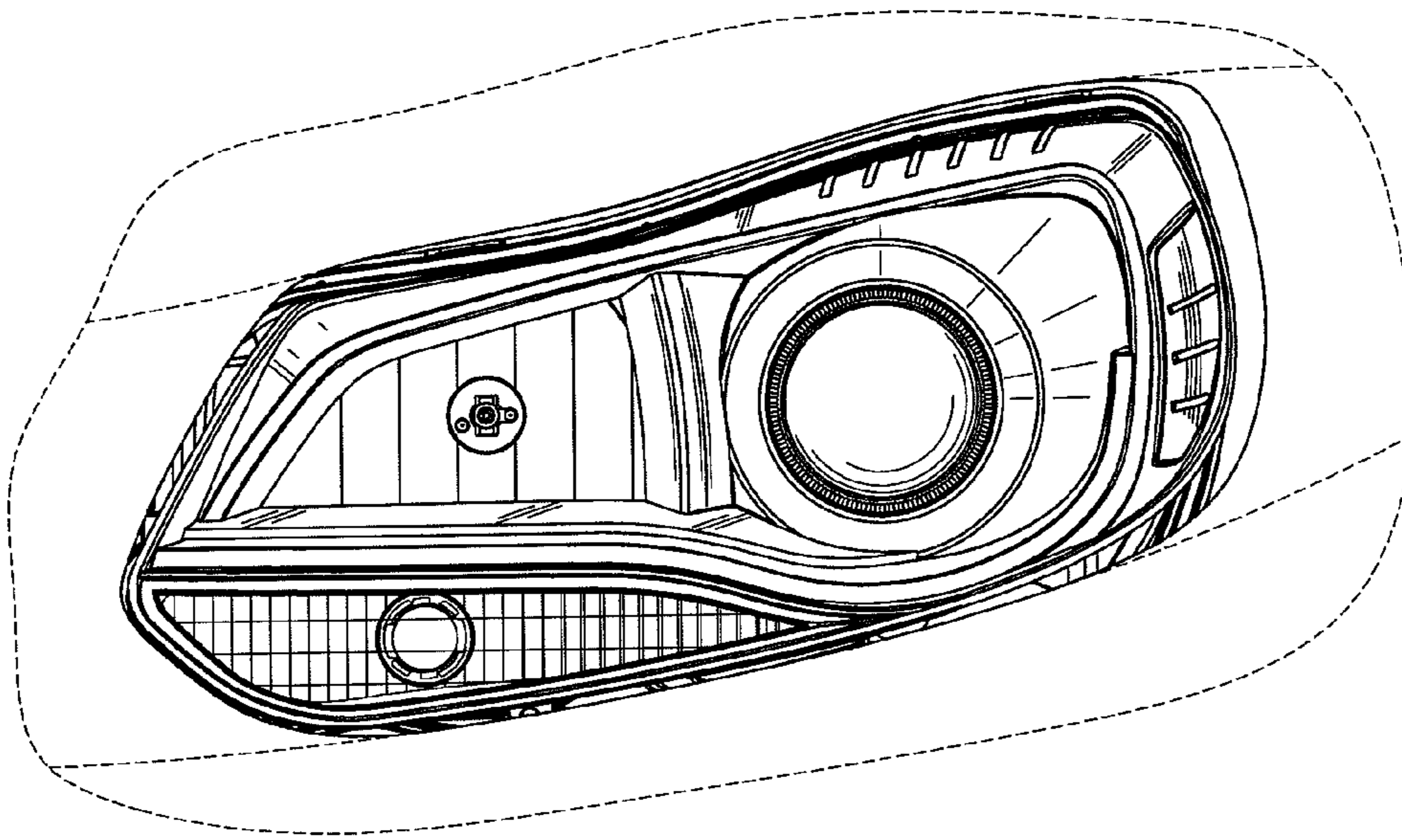


FIG. 2

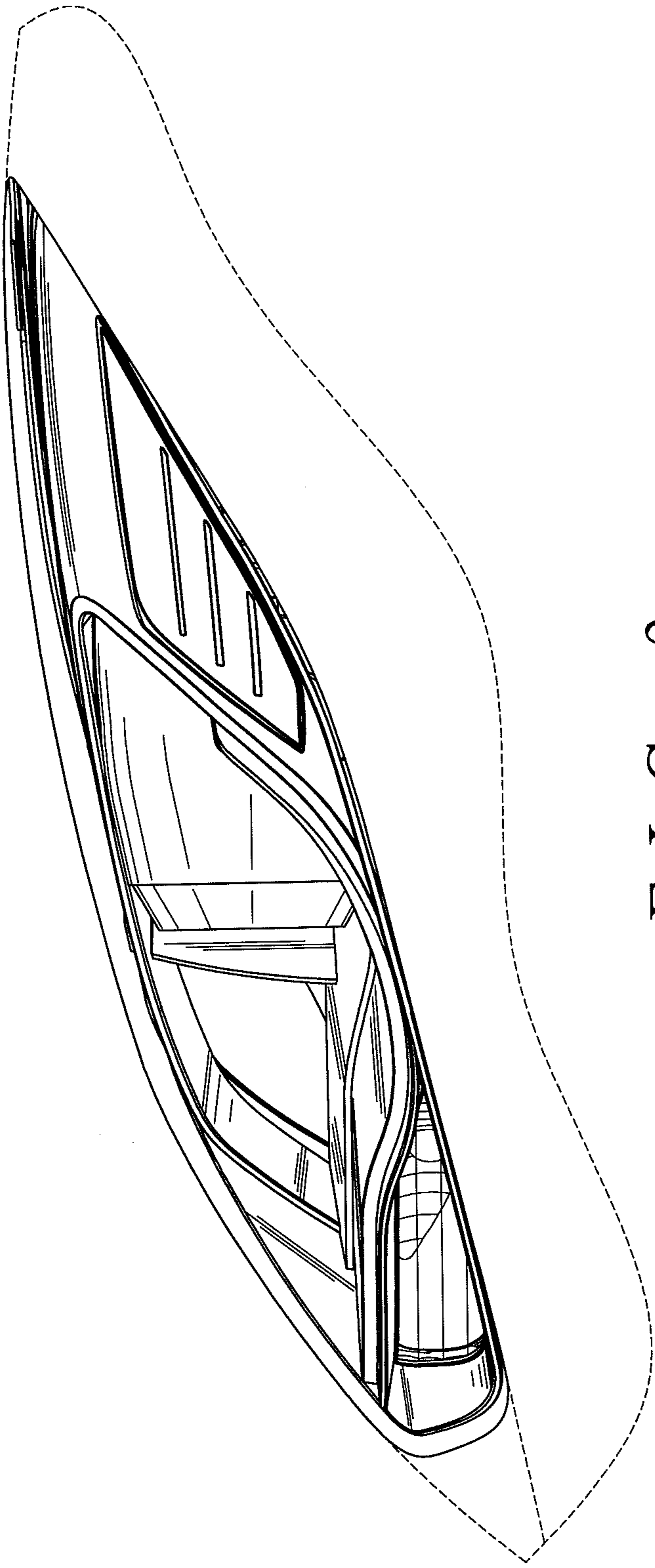
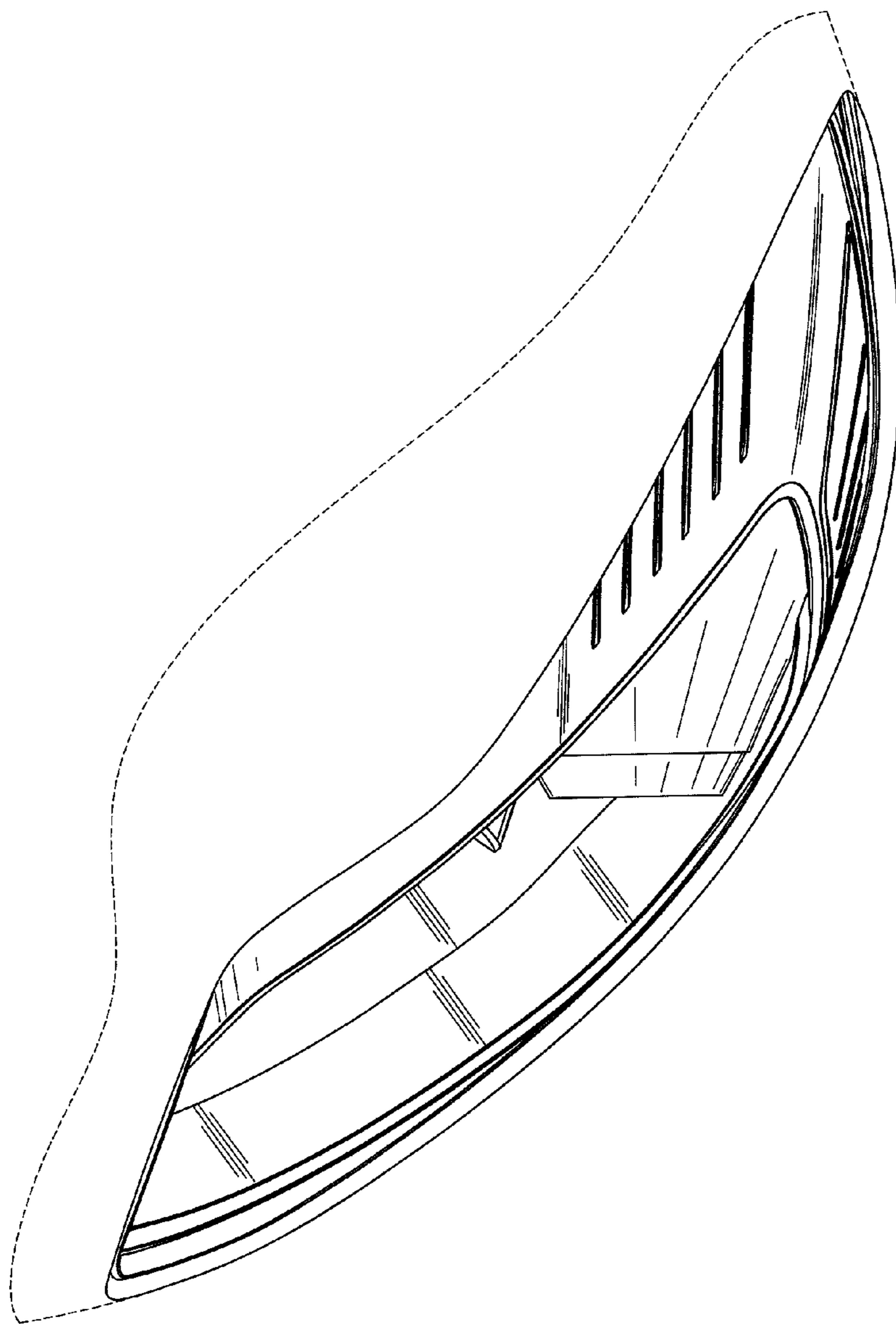


FIG. 3



F I G . 4