



US00D706468S

(12) **United States Design Patent**
Nagano

(10) **Patent No.:** **US D706,468 S**
(45) **Date of Patent:** **** Jun. 3, 2014**

(54) **HEADLAMP FOR A BICYCLE**
(75) Inventor: **Toshiyuki Nagano**, Osaka (JP)
(73) Assignee: **Cateye Co., Ltd.**, Higashisumiyoshi-ku,
Osaka-shi, Osaka (JP)
(**) Term: **14 Years**
(21) Appl. No.: **29/421,697**
(22) Filed: **Sep. 4, 2012**

D540,481 S * 4/2007 Okuda D26/28
D540,996 S * 4/2007 Neuhaus D34/9
D541,447 S * 4/2007 Ueda et al. D26/28
D663,453 S * 7/2012 Nagano D26/28

FOREIGN PATENT DOCUMENTS

JP 1274321 6/2006
JP 1451711 9/2012
TW D127085 1/2009
TW D144423 12/2011
TW 101305961 5/2013

* cited by examiner

(30) **Foreign Application Priority Data**
Apr. 16, 2012 (JP) 2012-008849
(51) **LOC (10) Cl.** **26-06**
(52) **U.S. Cl.**
USPC **D26/28**
(58) **Field of Classification Search**
USPC D26/28-36; 362/459-468, 475-478,
362/485-487
See application file for complete search history.

Primary Examiner — Marcus Jackson

(74) *Attorney, Agent, or Firm* — Olson & Cepuritis, Ltd.

(57) **CLAIM**

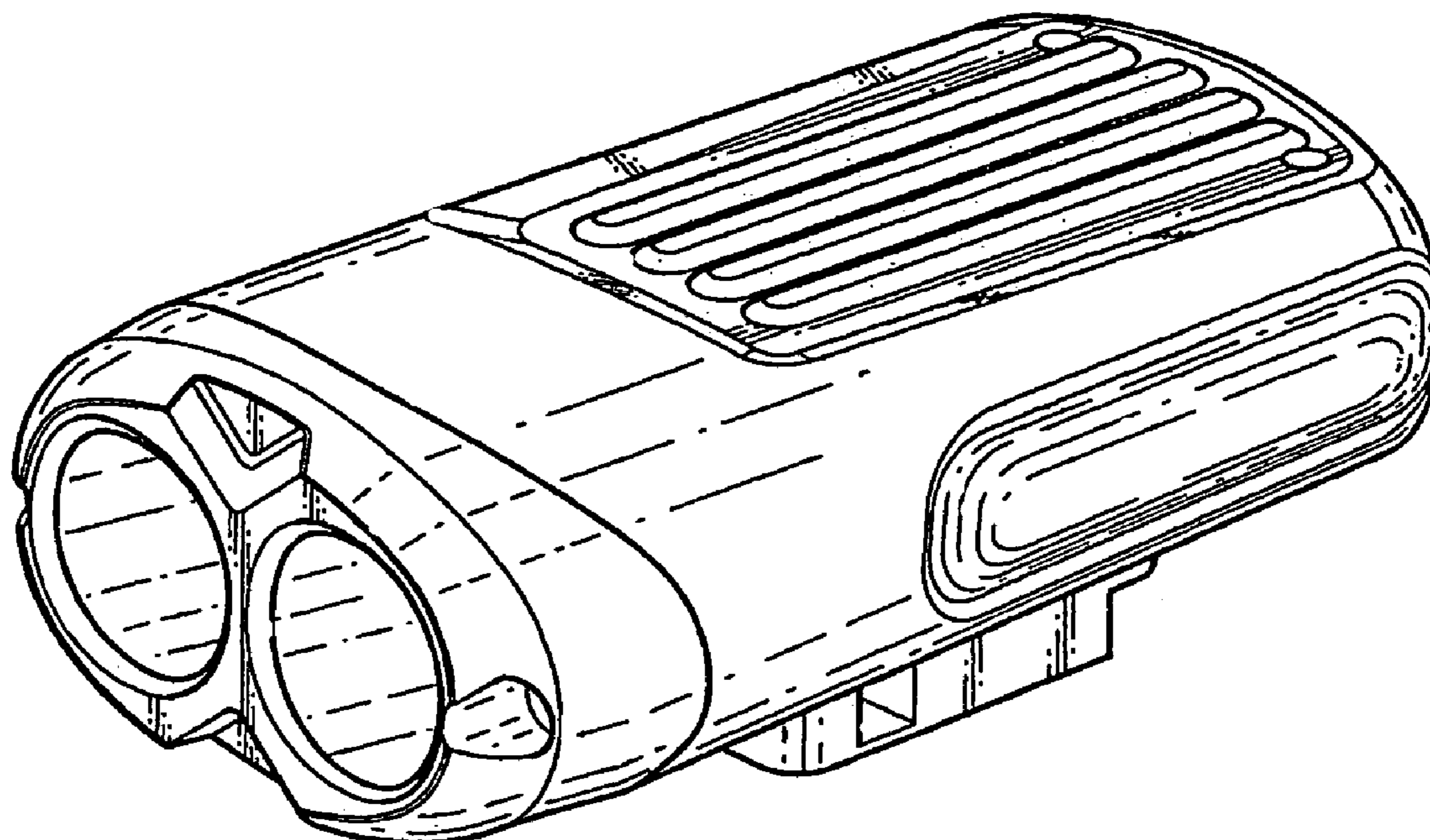
The ornamental design for a headlamp for a bicycle, as shown.

DESCRIPTION

FIG. 1 is a perspective view of a headlamp for a bicycle showing my new design;
FIG. 2 is a front view thereof;
FIG. 3 is a rear view thereof;
FIG. 4 is a top plan view thereof;
FIG. 5 is a bottom plan view thereof;
FIG. 6 is a right side view thereof; and,
FIG. 7 is a left side view thereof.

1 Claim, 4 Drawing Sheets

(56) **References Cited**
U.S. PATENT DOCUMENTS
D441,107 S * 4/2001 Okuda D26/28
D441,471 S * 5/2001 Nagano D26/28
D444,581 S * 7/2001 Okuda D26/28
D446,446 S * 8/2001 Bretz et al. D9/667
D498,550 S * 11/2004 Chen D26/28
D514,239 S * 1/2006 Okuda D26/28
D529,205 S 9/2006 Nagano



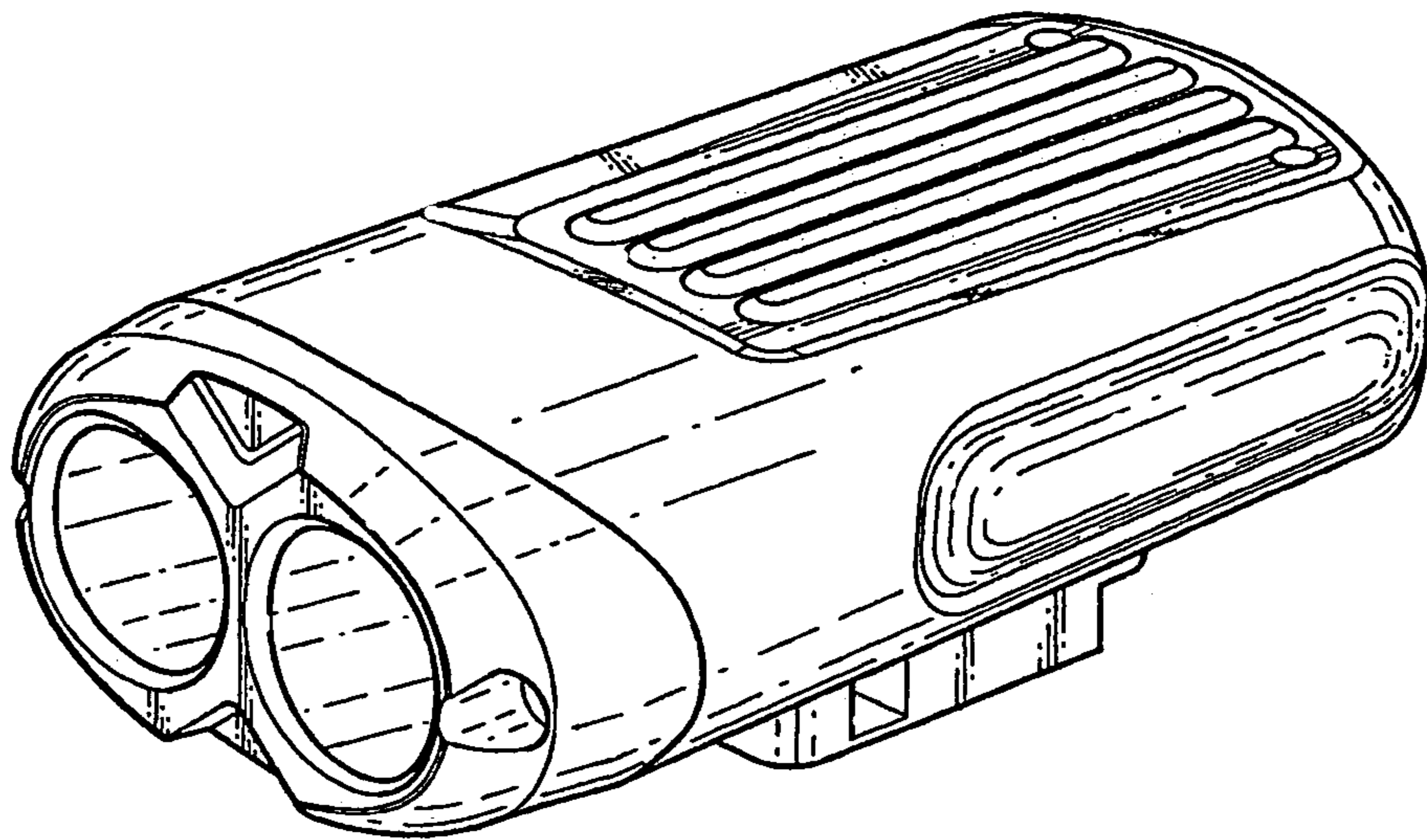


Fig. 1

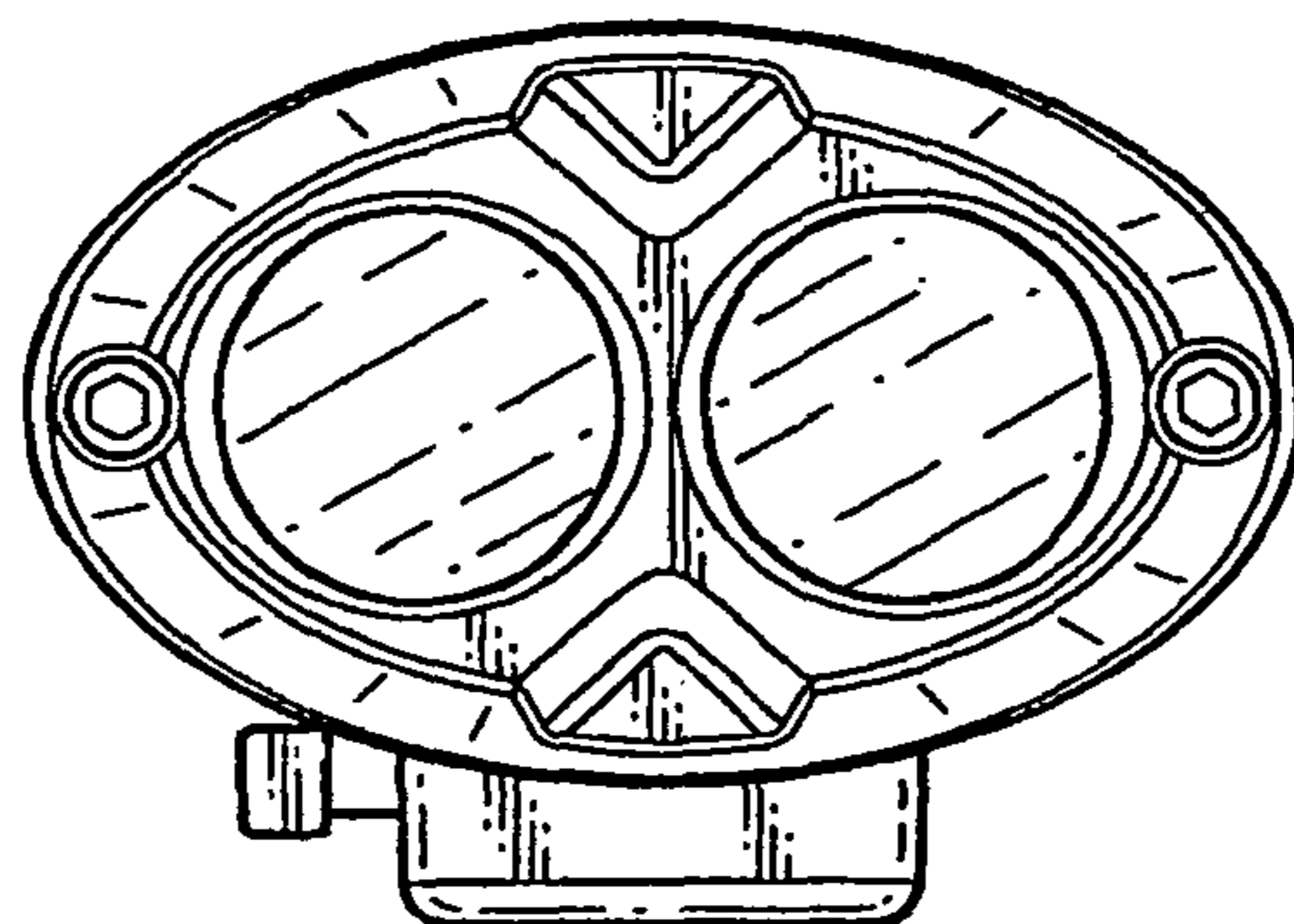


Fig. 2

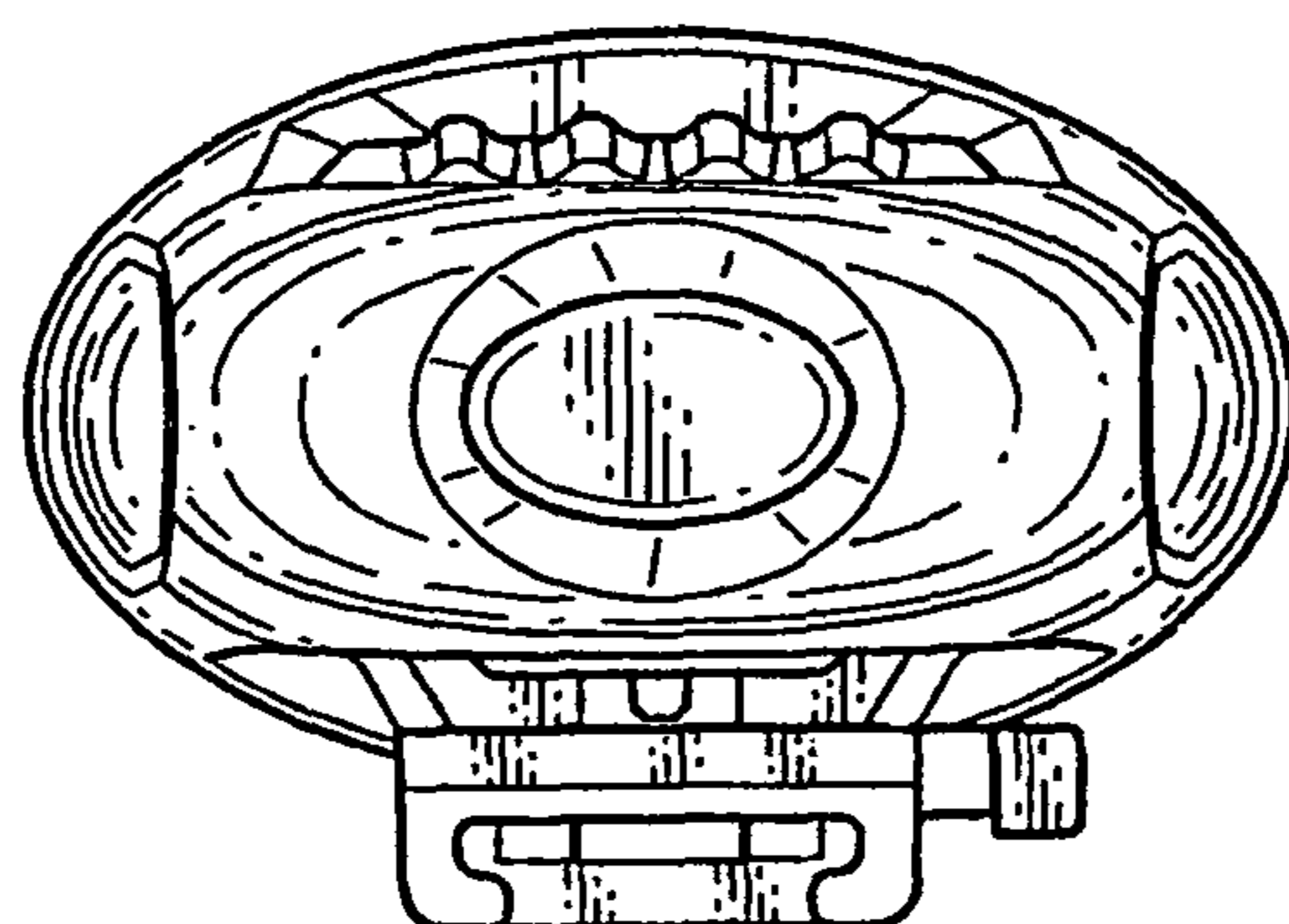


Fig. 3

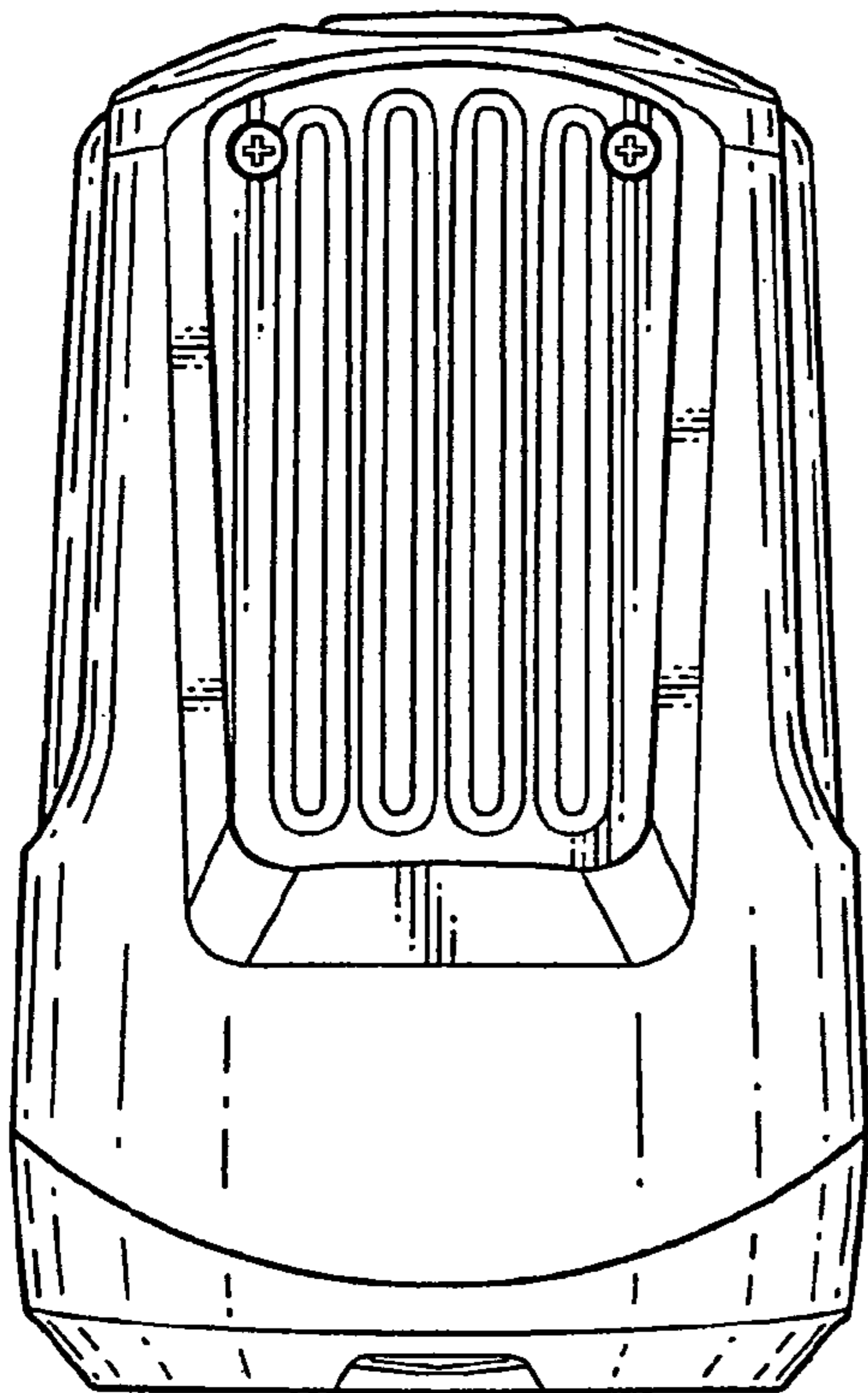


Fig. 4

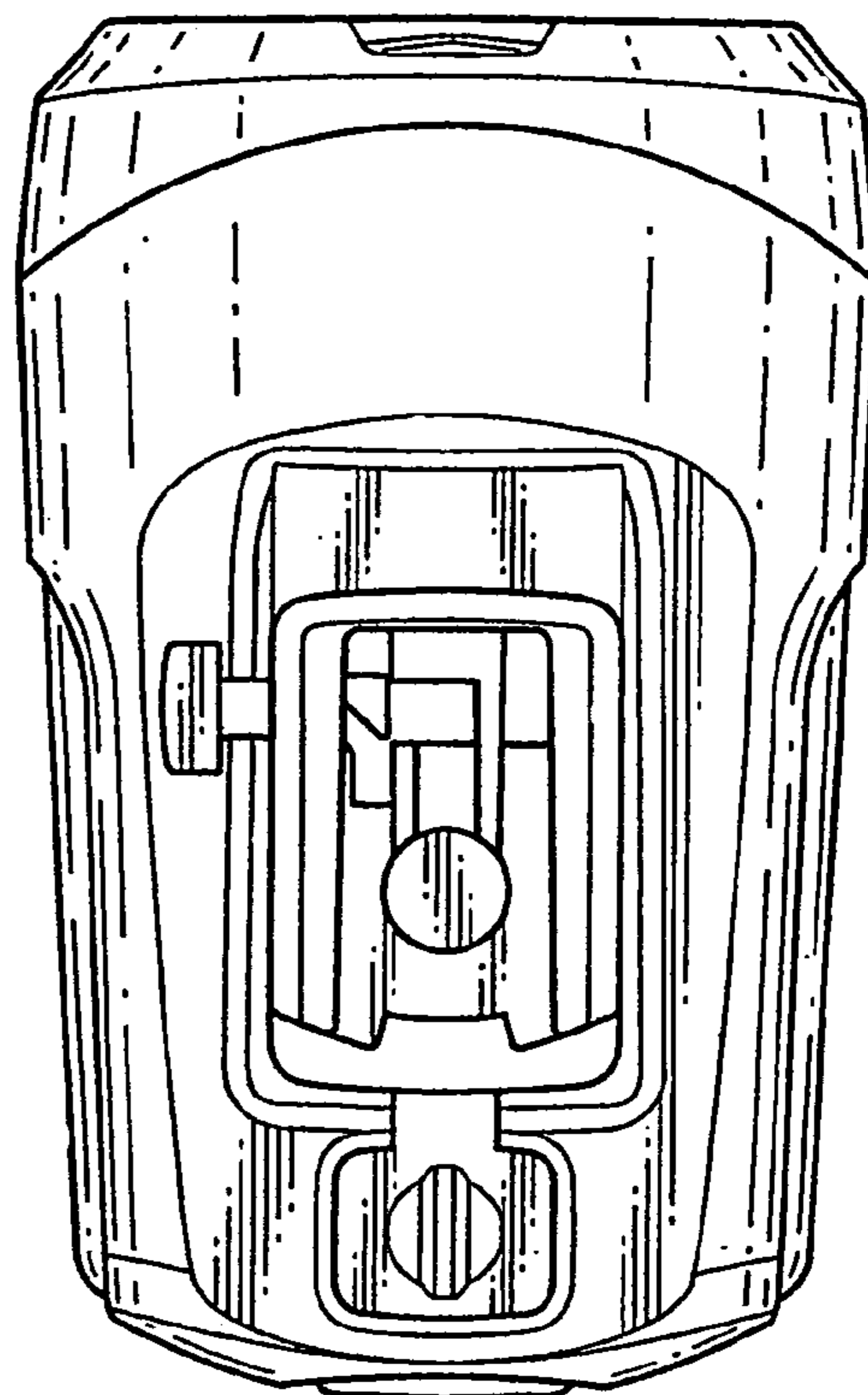


Fig. 5

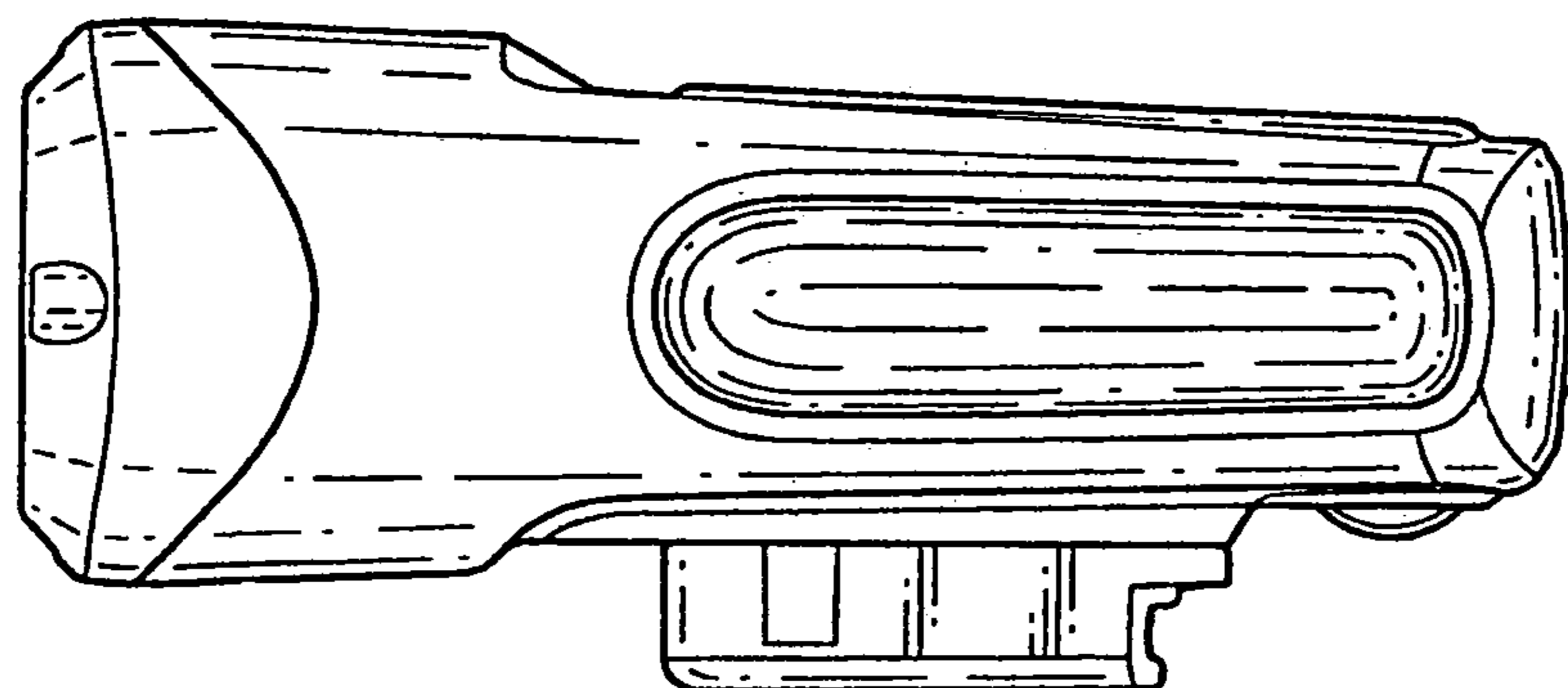


Fig. 6

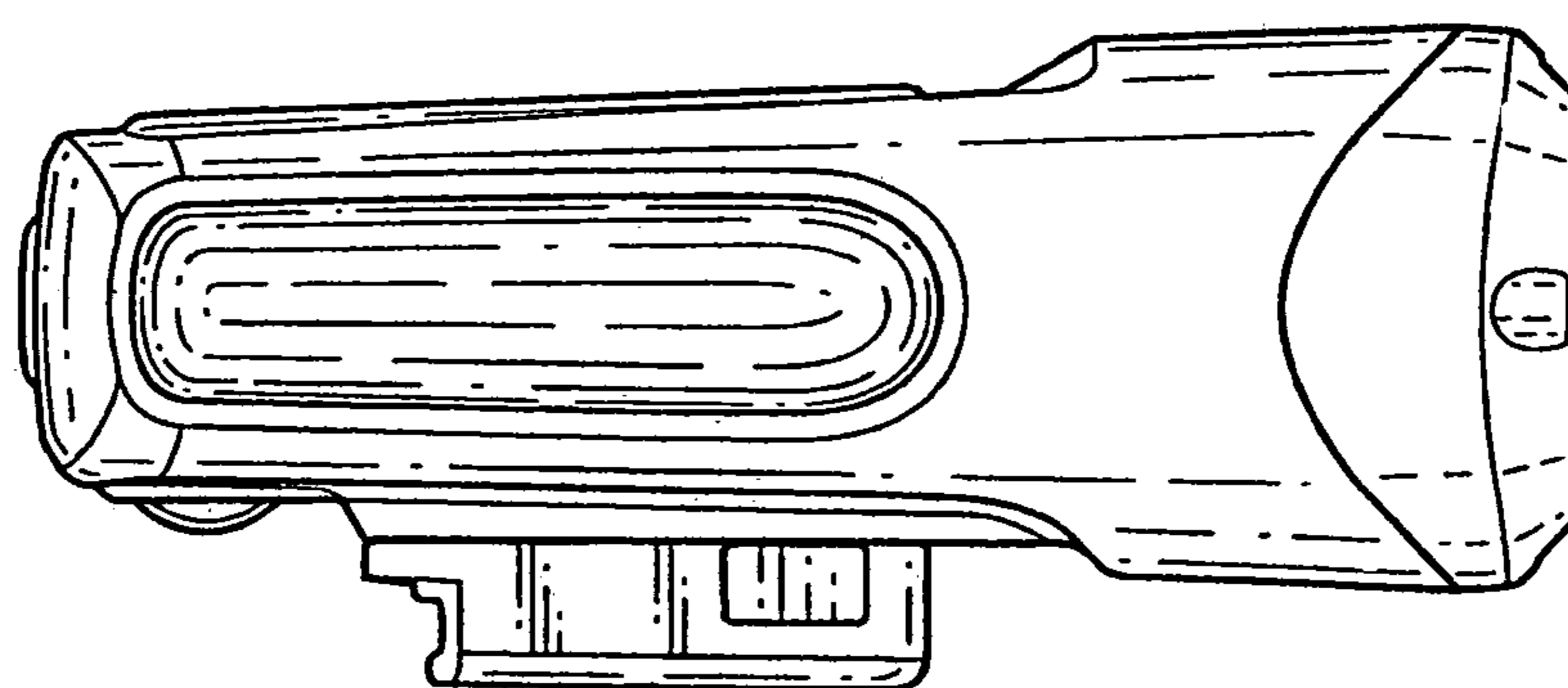


Fig. 7