



US00D706463S

(12) **United States Design Patent**
Lu

(10) **Patent No.:** **US D706,463 S**
(45) **Date of Patent:** **** Jun. 3, 2014**

(54) **LED LAMP**

D695,425 S * 12/2013 Su D26/2

* cited by examiner

(71) Applicant: **Hangzhou HPWinner Opto Corporation**, Hangzhou (CN)

Primary Examiner — Marcus Jackson

(72) Inventor: **Huali Lu**, Yongkang (CN)

(74) *Attorney, Agent, or Firm* — Brown & Michaels, PC

(73) Assignee: **Hangzhou HPWinner Opto Corporation**, Hangzhou (CN)

(57) **CLAIM**

The ornamental design for an LED lamp, as shown and described.

(**) Term: **14 Years**

DESCRIPTION

(21) Appl. No.: **29/447,606**

FIG. 1 is a front view of the LED lamp of the present invention.

(22) Filed: **Mar. 5, 2013**

FIG. 2 is a back view of the LED lamp.

(30) **Foreign Application Priority Data**

FIG. 3 is a side view of the LED lamp.

Sep. 20, 2012 (CN) 2012 3 0450241

FIG. 4 is a side view of the LED lamp, showing the opposite side from FIG. 3.

(51) **LOC (10) Cl.** **26-04**

FIG. 5 is a bottom view of the LED lamp.

(52) **U.S. Cl.**
USPC **D26/2**

FIG. 6 is a top view of the LED lamp.

(58) **Field of Classification Search**
USPC D26/1-4; 313/313, 315, 316, 317, 318,
313/493; 315/52, 53, 56, 57, 58
See application file for complete search history.

FIG. 7 is a perspective view of the LED lamp, viewed from an angle above the lamp.

FIG. 8 is a perspective view of the LED lamp, viewed from an angle below the lamp.

(56) **References Cited**

U.S. PATENT DOCUMENTS

D497,439 S * 10/2004 Shaw et al. D26/2
D676,985 S * 2/2013 Boomgaarden et al. D26/2

FIG. 9 is an enlarged perspective view of the Lens which appears in FIGS. 6 and 7 of the claimed design, with the center portion omitted for clarity purposes; and,

FIG. 10 is an enlarged perspective view of the center portion of the Lens which appears in FIGS. 6, 7 and 9 of the claimed design, with the portion shown for clarity purposes.

1 Claim, 5 Drawing Sheets

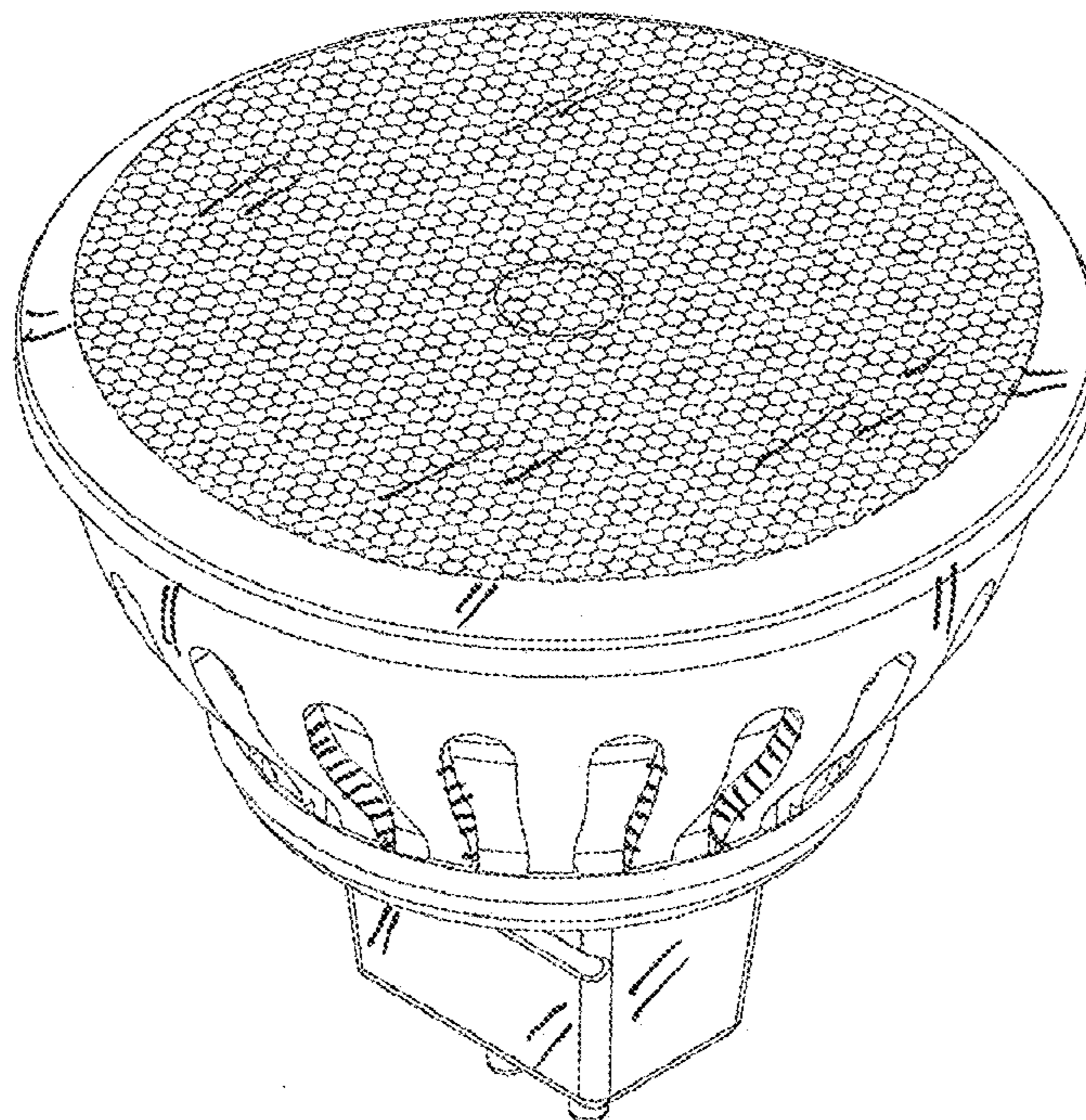


Fig. 1

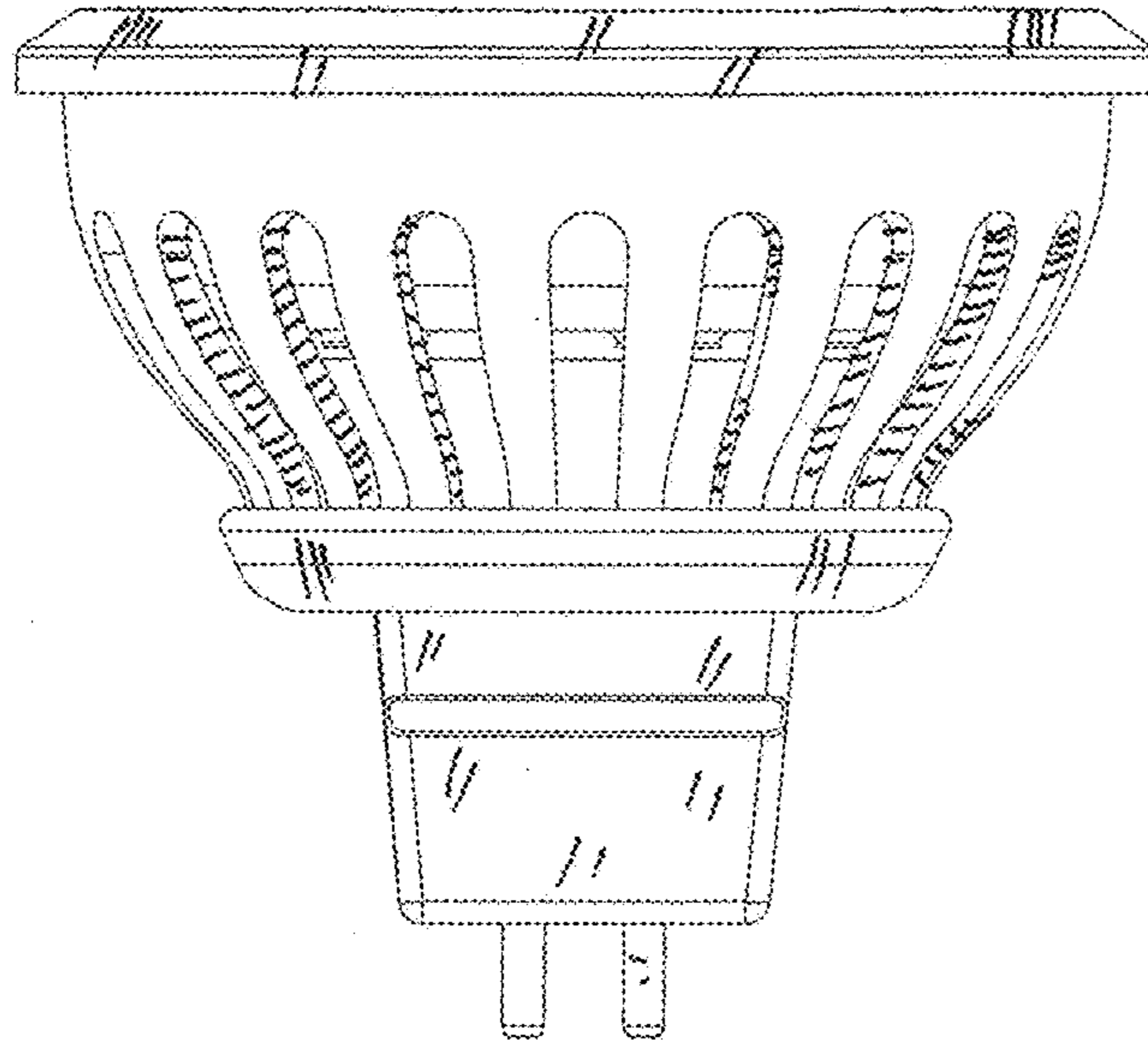


Fig. 2

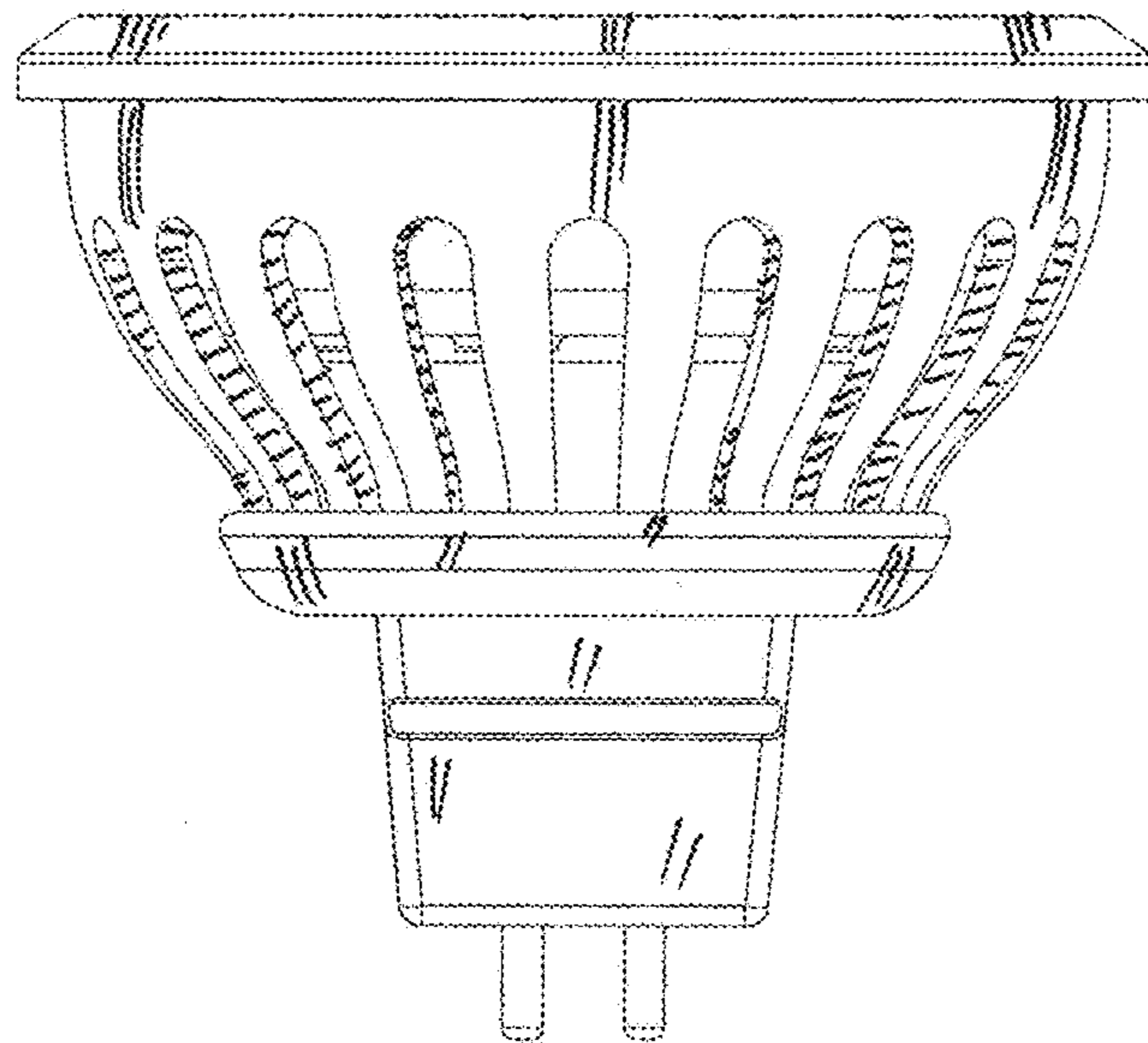


Fig. 3

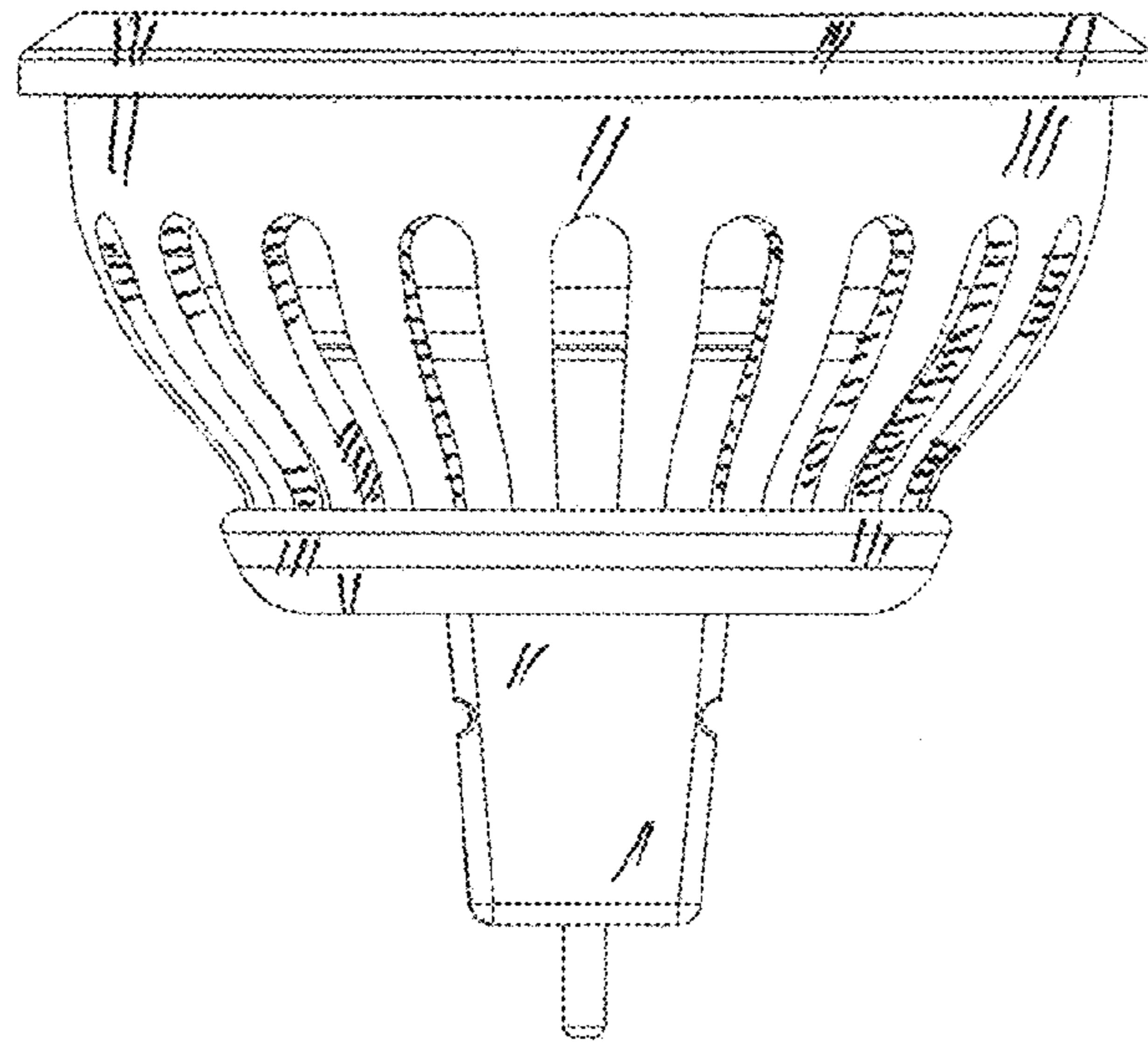


Fig. 4

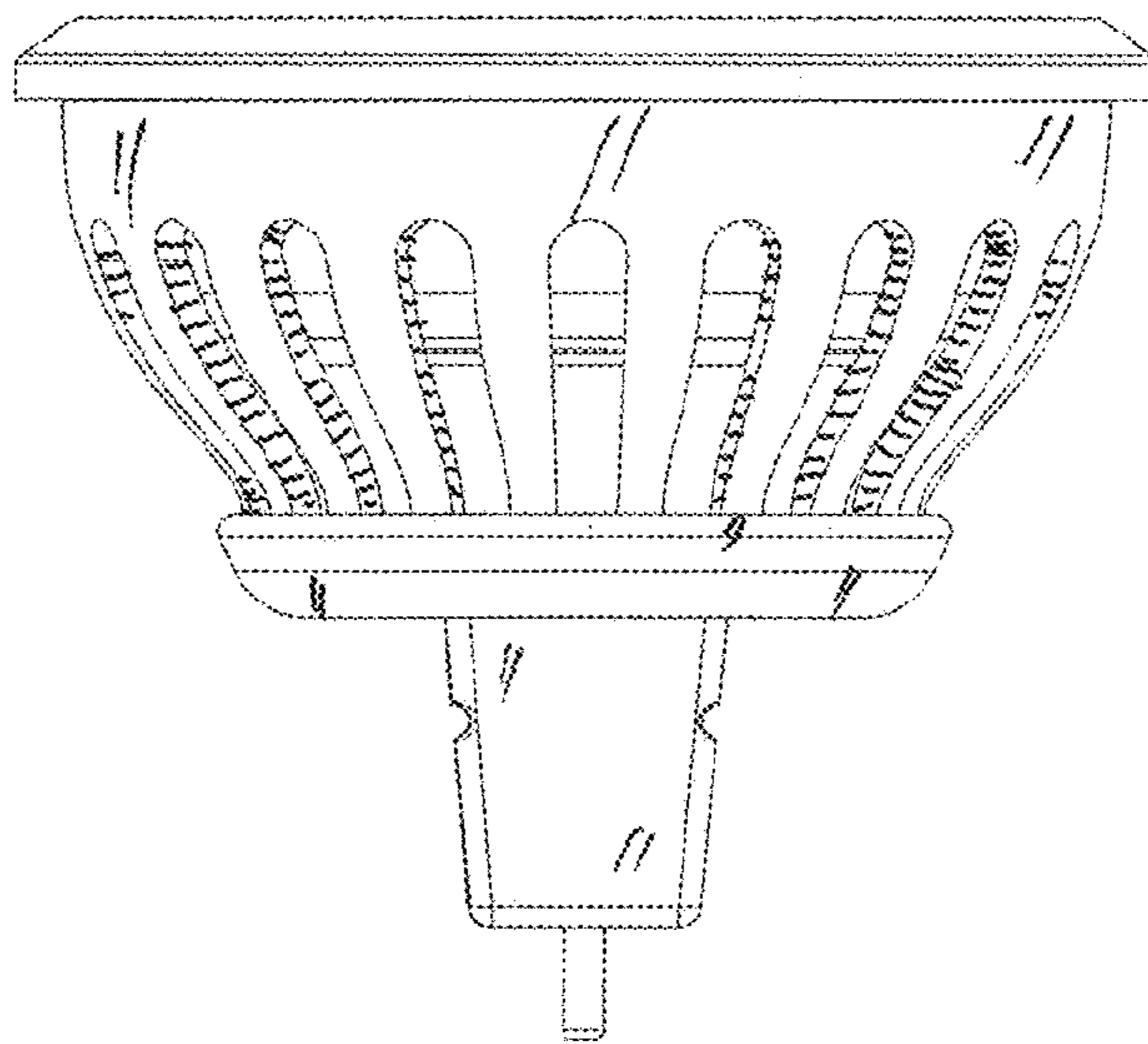


Fig. 5

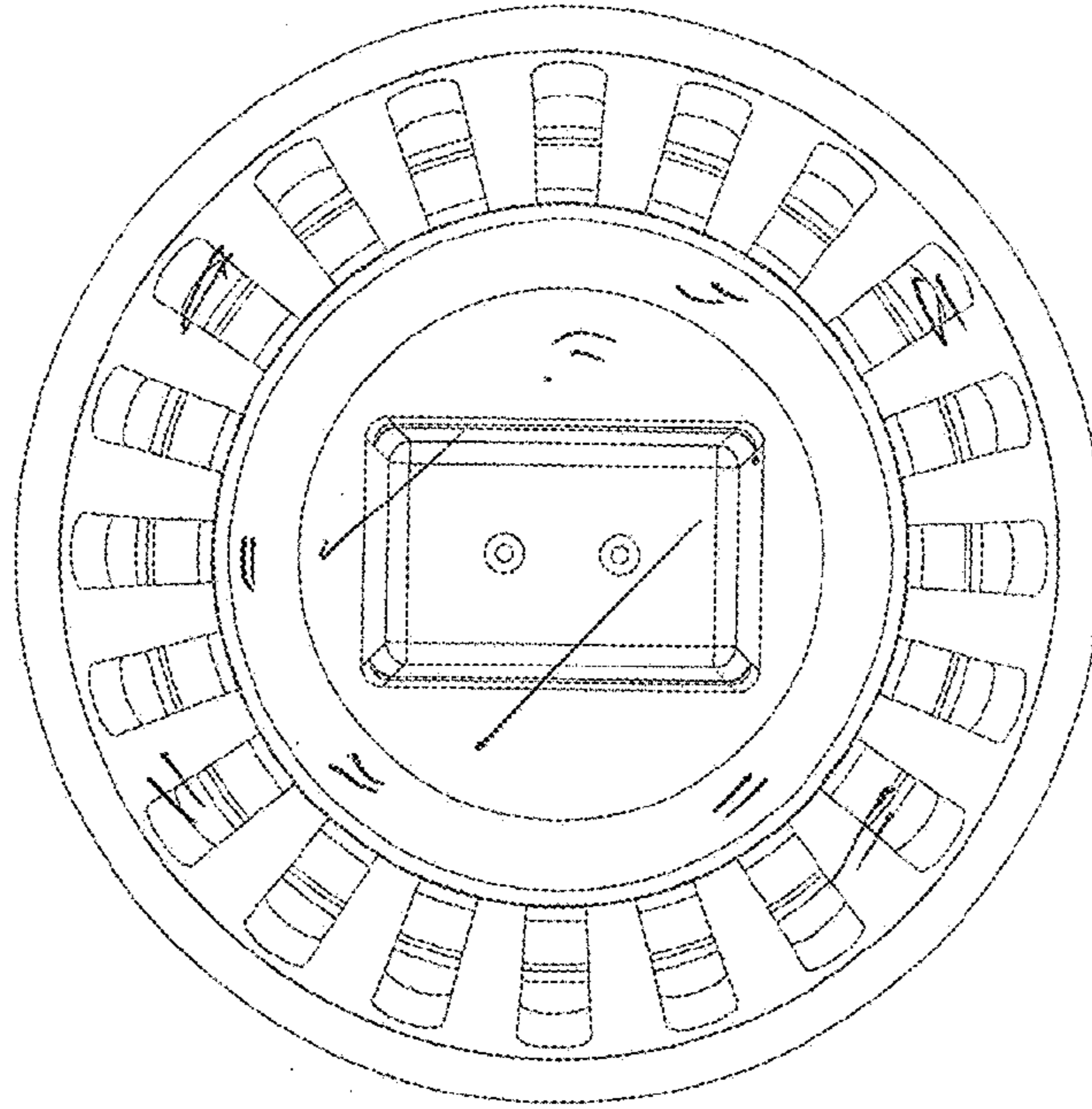


Fig. 6

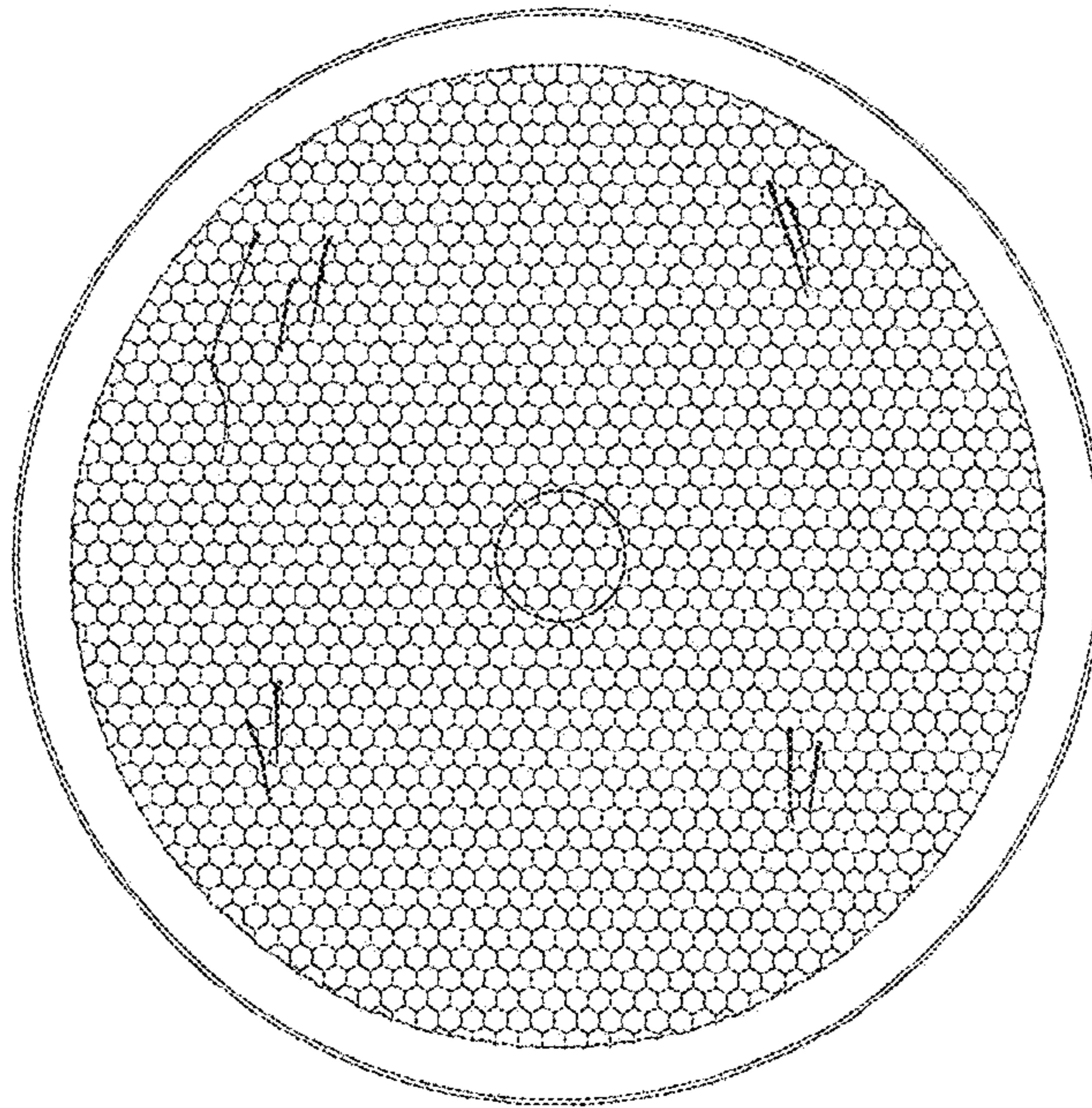


Fig. 7

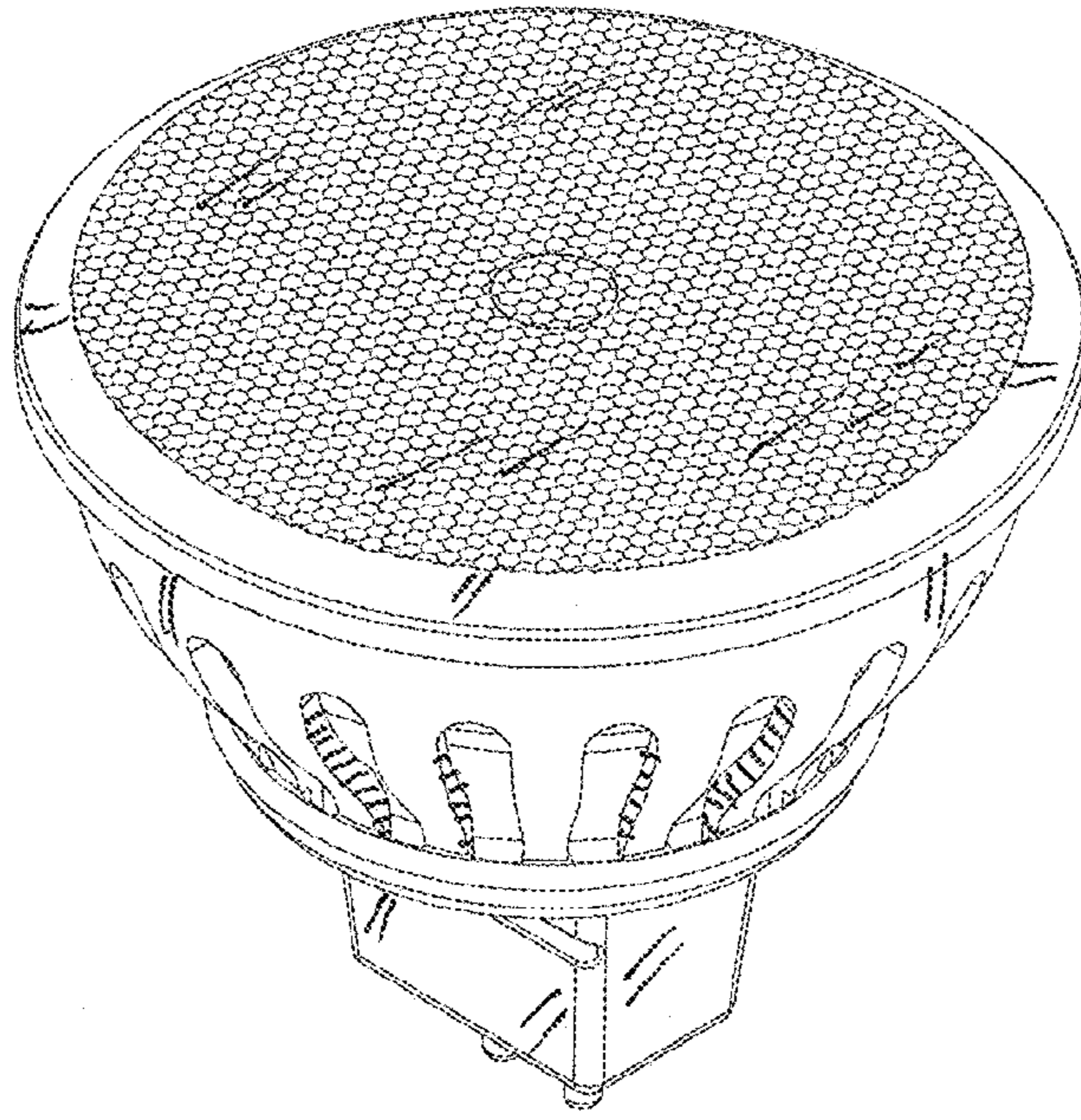


Fig. 8

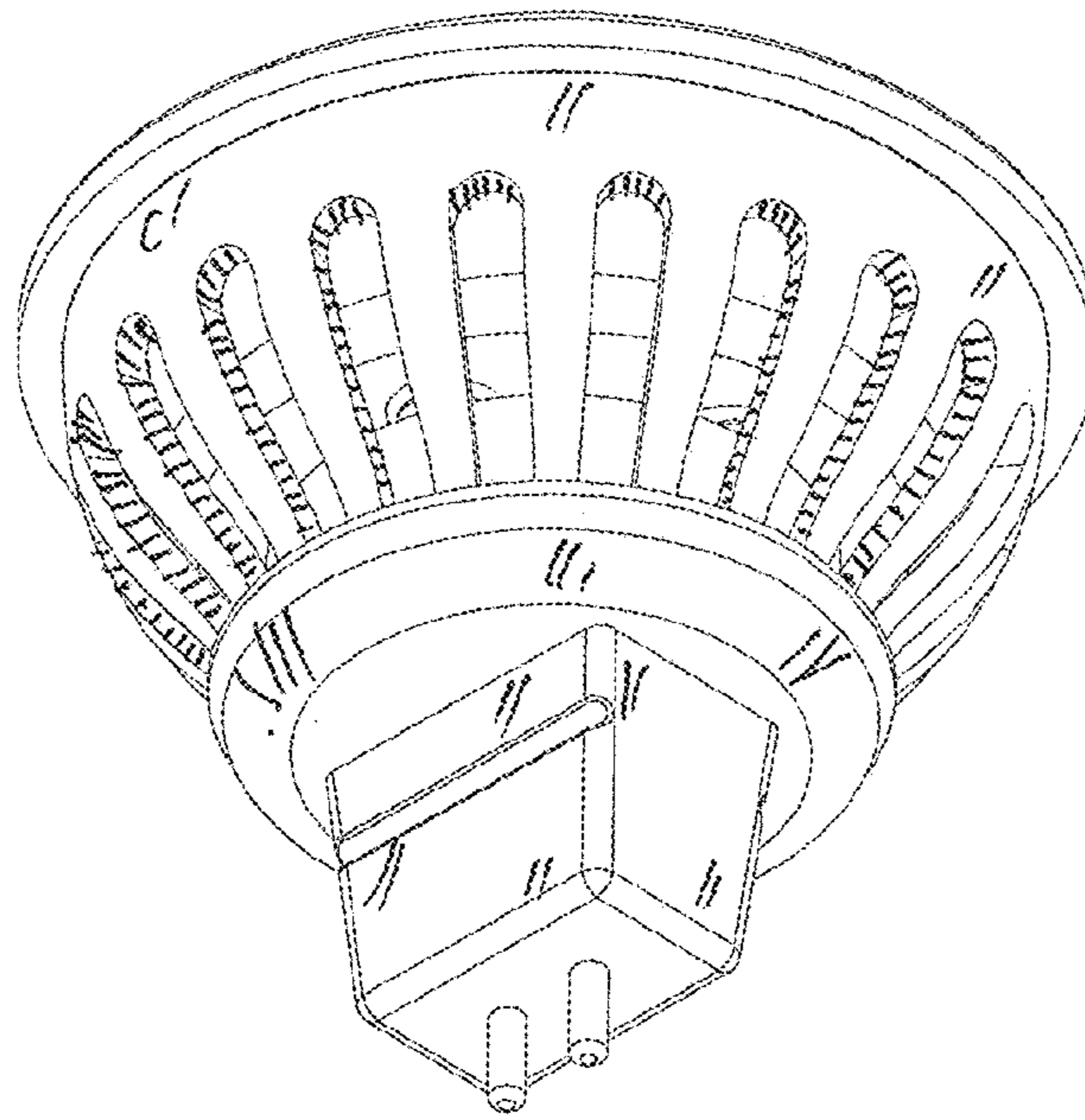


Fig. 9

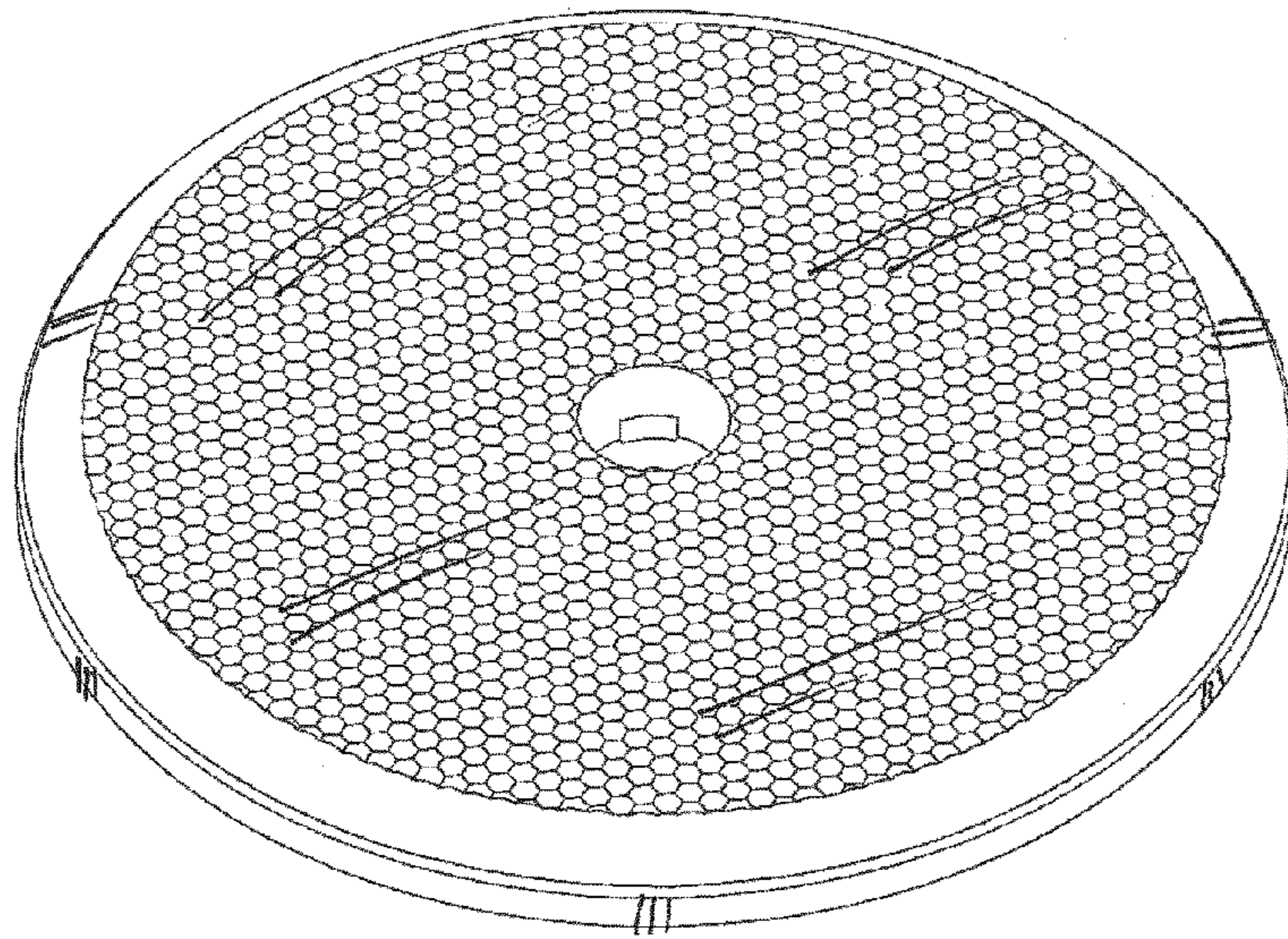


Fig. 10

