



US00D706461S

(12) **United States Design Patent**  
**Lu**

(10) **Patent No.:** **US D706,461 S**  
(45) **Date of Patent:** **\*\* Jun. 3, 2014**

(54) **LED LAMP**  
(71) Applicant: **Hangzhou Hpwinner Opto Corporation, Hangzhou (CN)**  
(72) Inventor: **Huali Lu, Yongkang (CN)**  
(73) Assignee: **Hangzhou Hpwinner Opto Corporation, Hangzhou (CN)**  
(\*\*) Term: **14 Years**

D548,369 S \* 8/2007 Bembridge ..... D26/2  
D549,360 S \* 8/2007 An ..... D26/2  
D550,864 S \* 9/2007 Hernandez et al. .... D26/2  
D553,267 S \* 10/2007 Yuen ..... D26/2  
D602,614 S \* 10/2009 Takahashi et al. .... D26/2  
D629,535 S \* 12/2010 Lee ..... D26/2  
D691,292 S \* 10/2013 Qiu ..... D26/2

\* cited by examiner

*Primary Examiner* — Marcus Jackson

(74) *Attorney, Agent, or Firm* — Brown & Michaels, PC

(21) Appl. No.: **29/447,596**  
(22) Filed: **Mar. 5, 2013**

(57) **CLAIM**  
The ornamental design for an LED lamp, as shown and described.

(30) **Foreign Application Priority Data**  
Sep. 20, 2012 (CN) ..... 2012 3 0450234  
(51) **LOC (10) Cl.** ..... **26-04**  
(52) **U.S. Cl.**  
USPC ..... **D26/2**  
(58) **Field of Classification Search**  
USPC ..... D26/1-4; 313/313, 315, 316, 317, 318,  
313/493; 315/52, 53, 56, 57, 58  
See application file for complete search history.

**DESCRIPTION**

FIG. 1 is a front view of the LED lamp of the present invention.  
FIG. 2 is a back view of the LED lamp.  
FIG. 3 is a side view of the LED lamp.  
FIG. 4 is a side view of the LED lamp, showing the opposite side from FIG. 3.  
FIG. 5 is a bottom view of the LED lamp.  
FIG. 6 is a top view of the LED lamp.  
FIG. 7 is a perspective view of the LED lamp, viewed from an angle above the lamp; and,  
FIG. 8 is a perspective view of the LED lamp, viewed from an angle below the lamp.

(56) **References Cited**  
**U.S. PATENT DOCUMENTS**  
D531,741 S \* 11/2006 Takahashi ..... D26/2  
D538,953 S \* 3/2007 Mama ..... D26/2

**1 Claim, 3 Drawing Sheets**

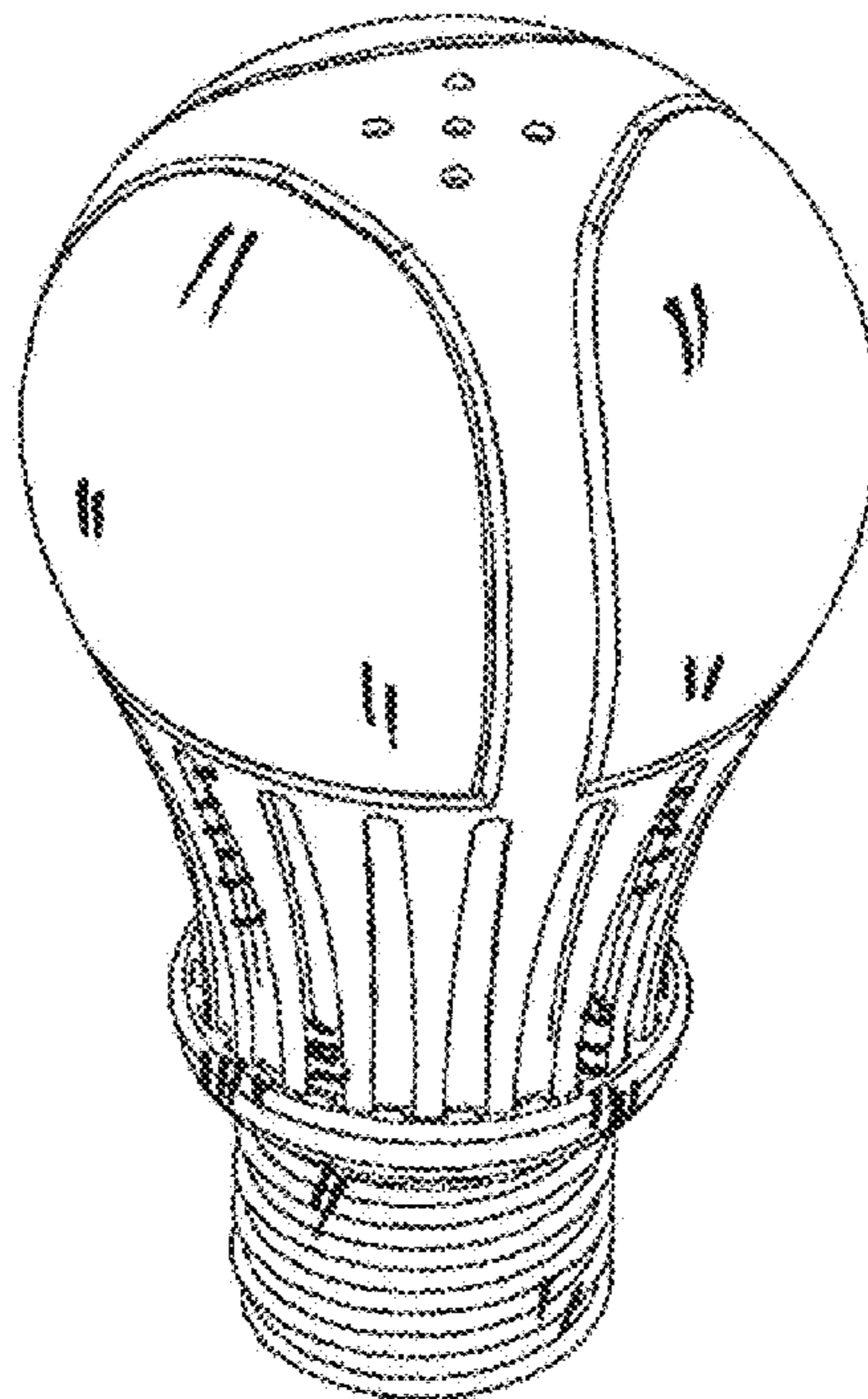


Fig. 1

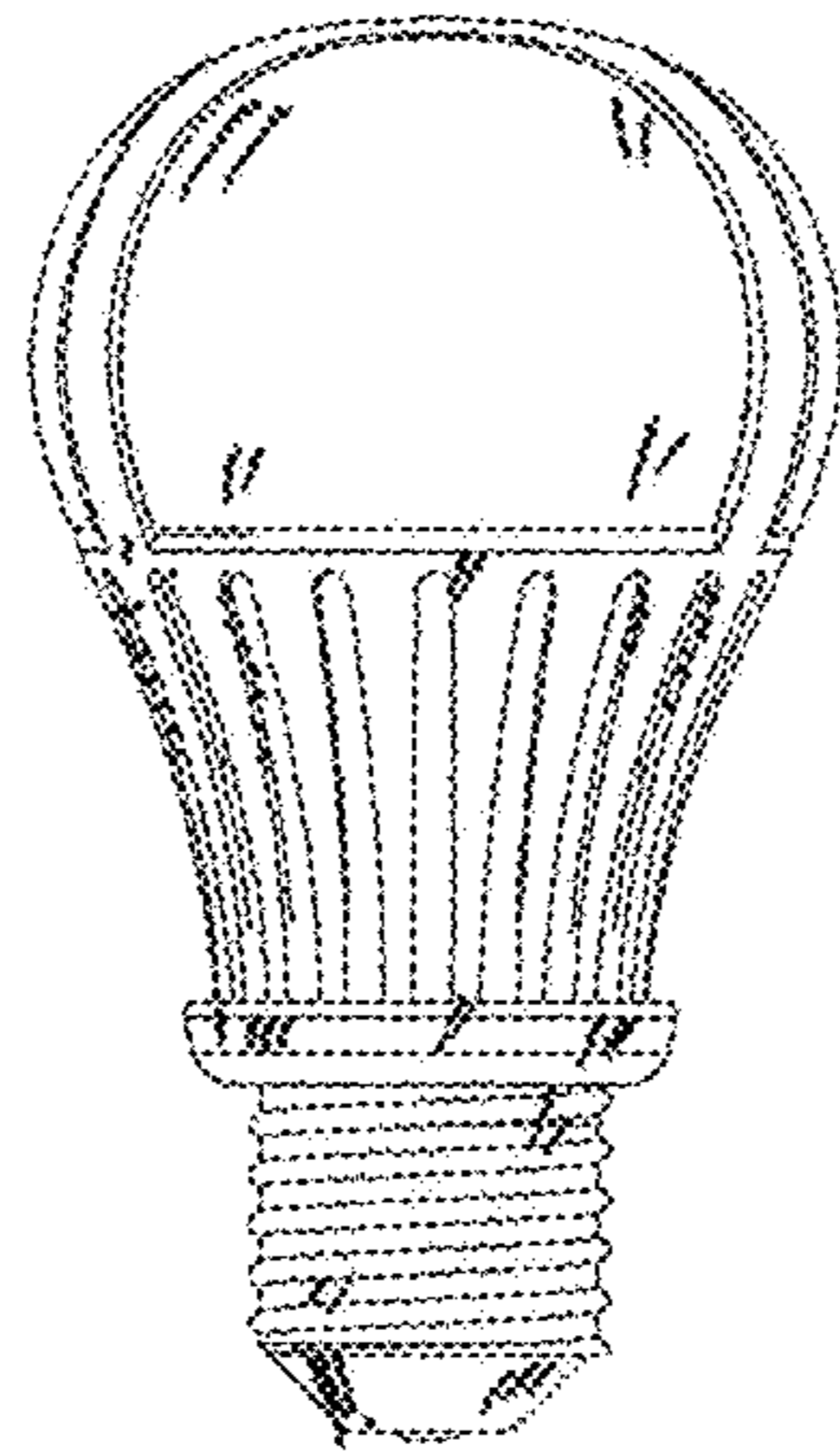


Fig. 2

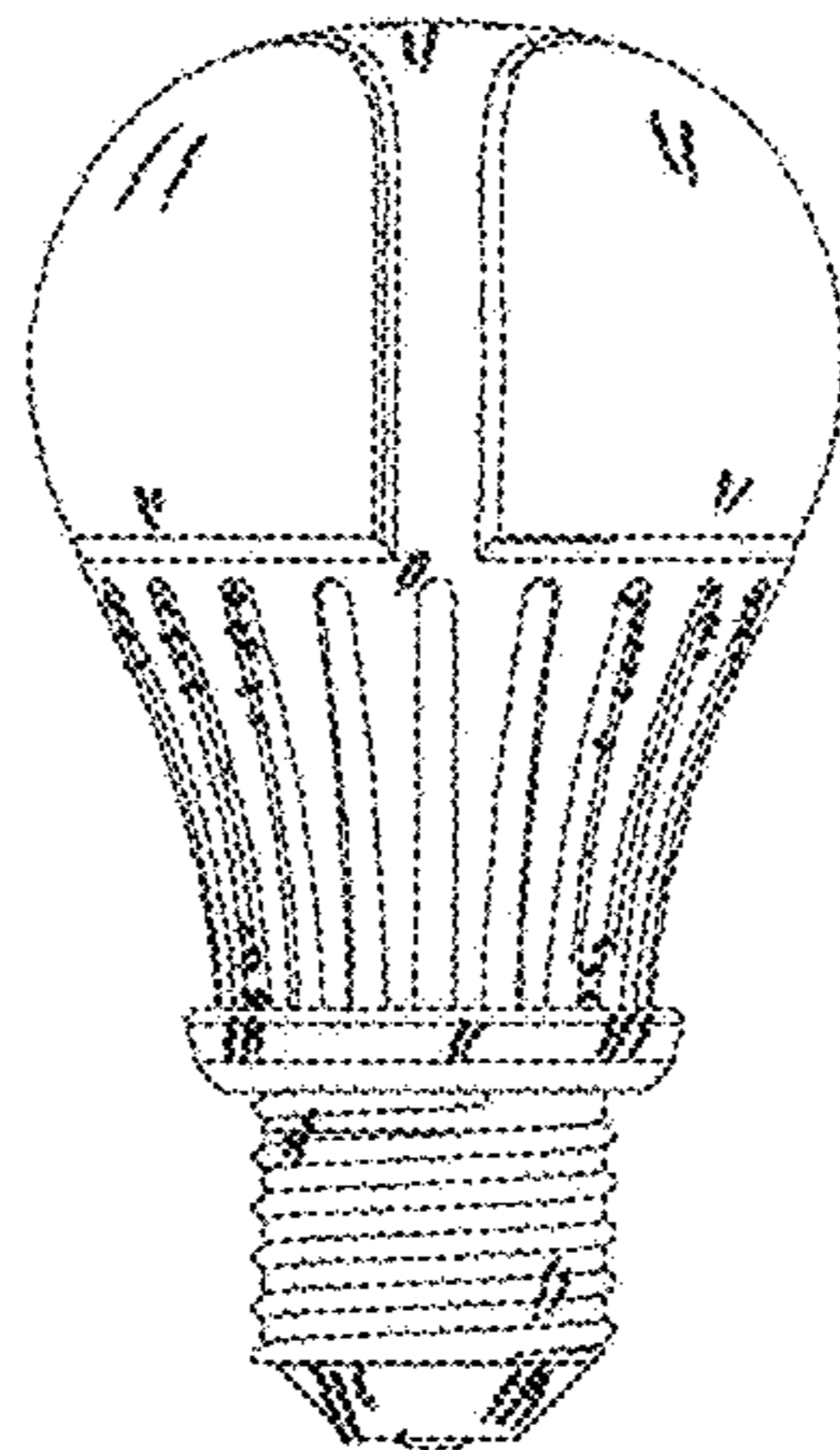


Fig. 3

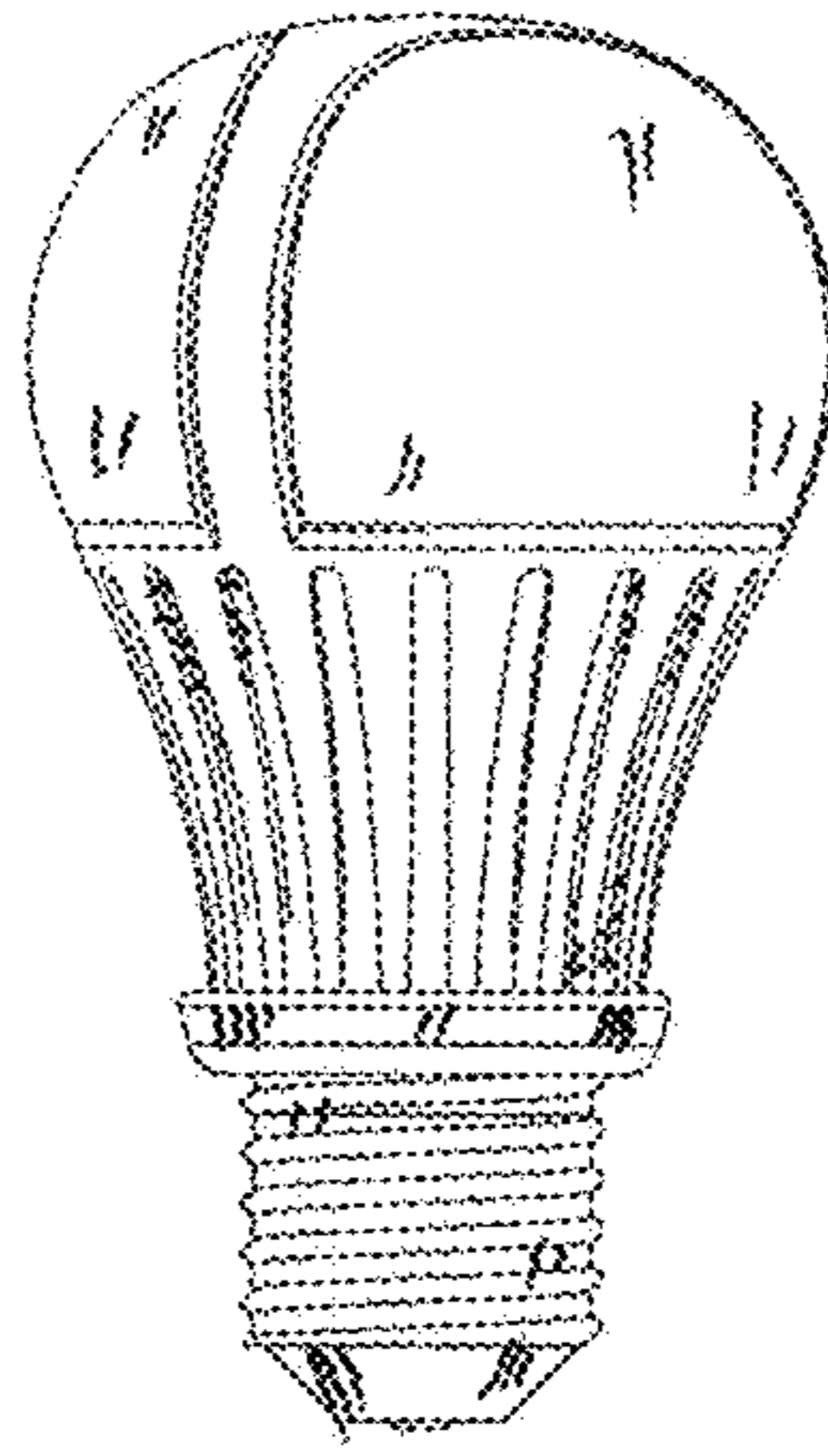


Fig. 4

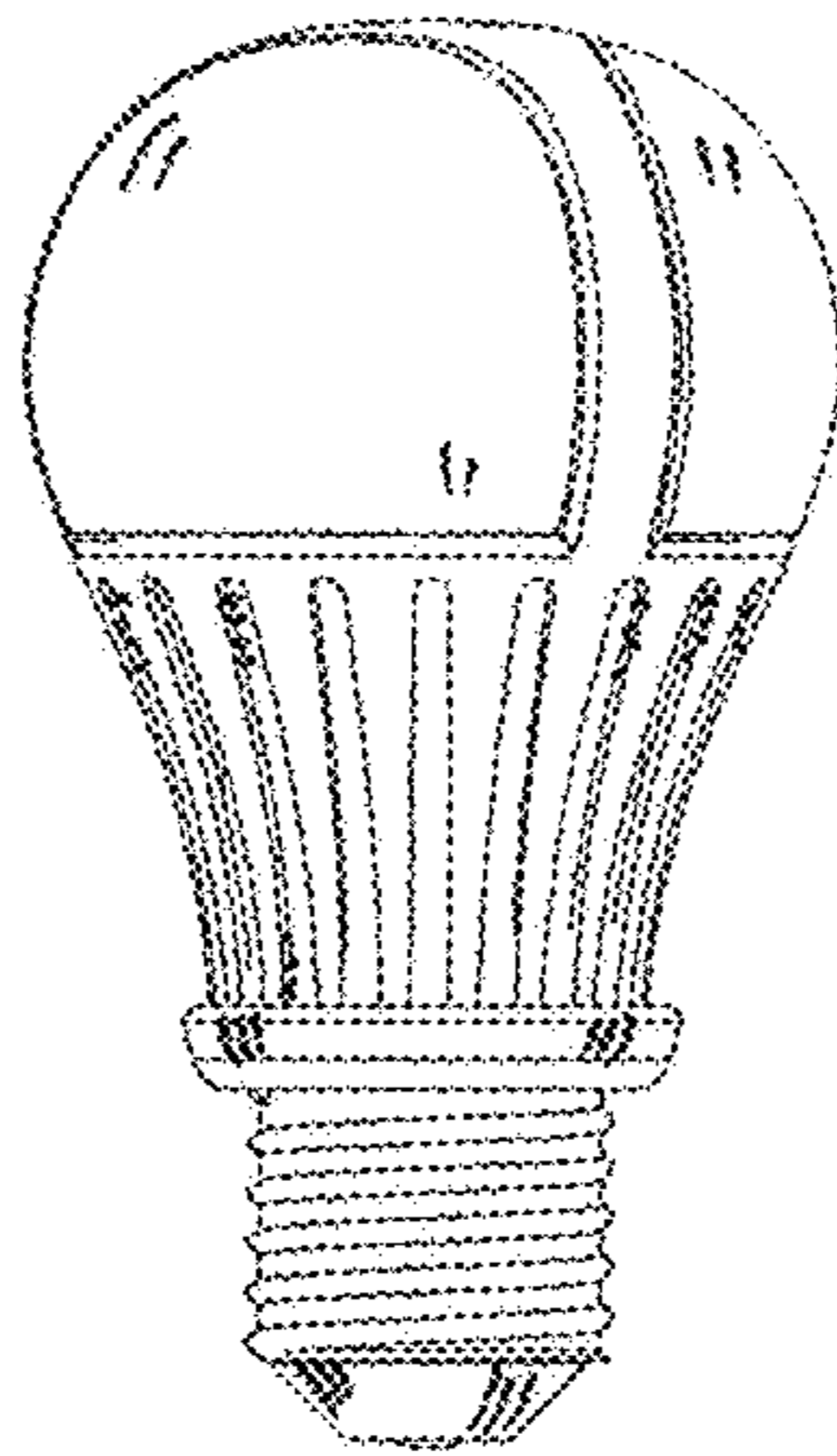


Fig. 5

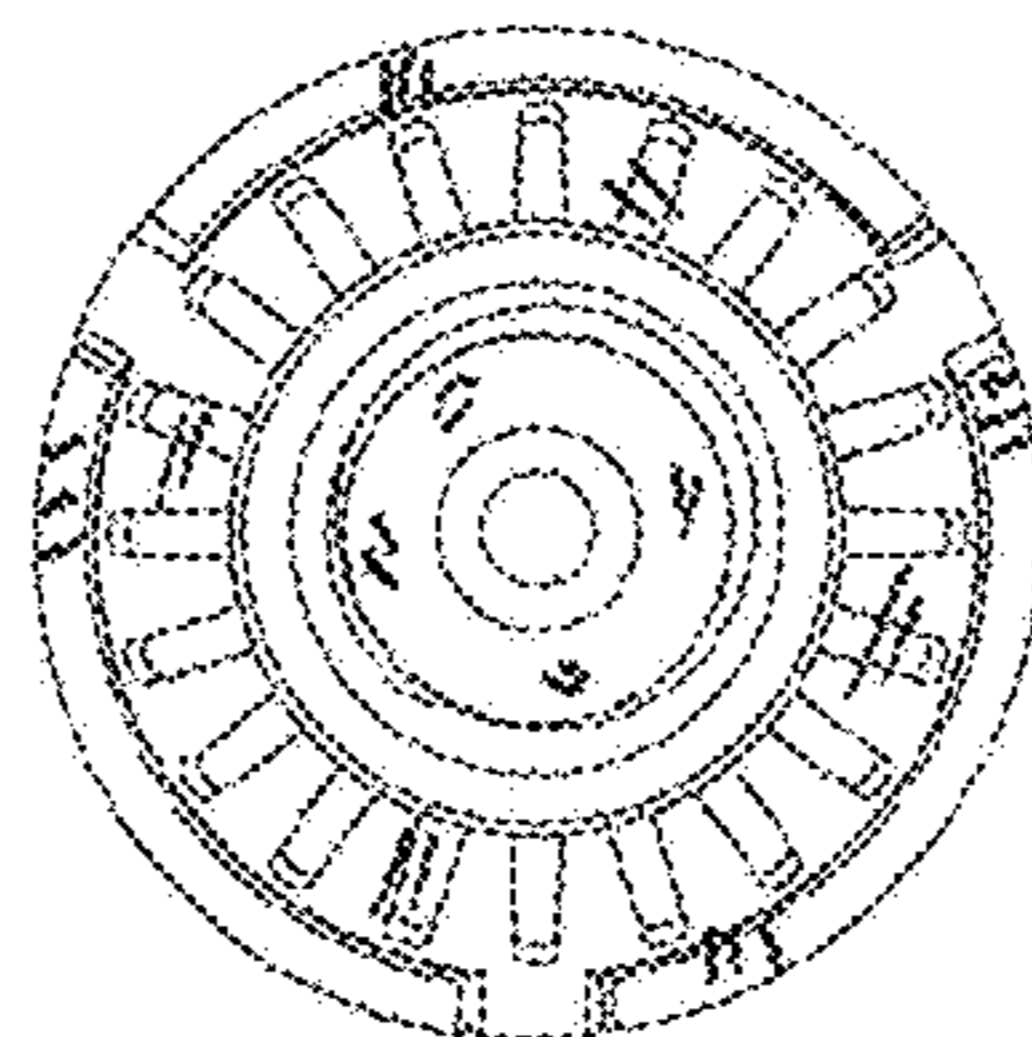


Fig. 6

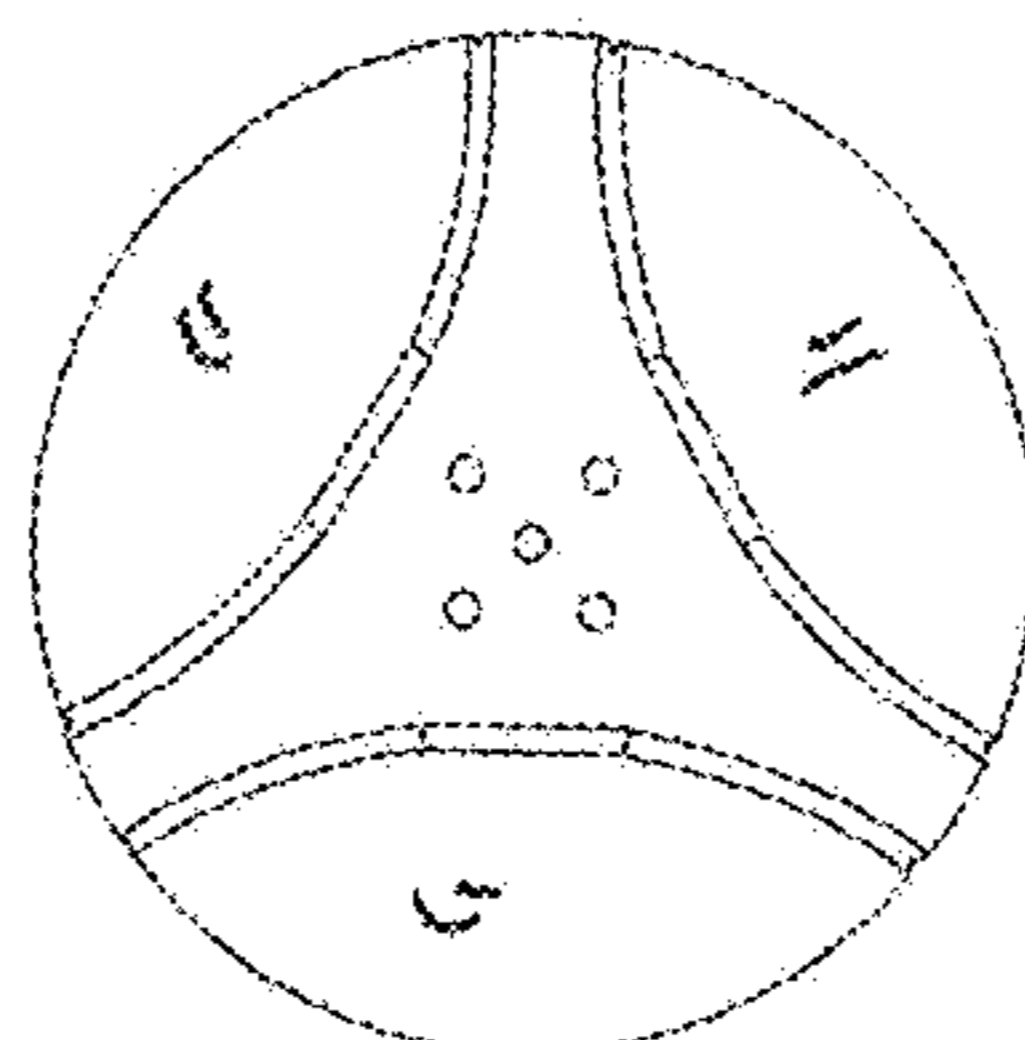


Fig. 7

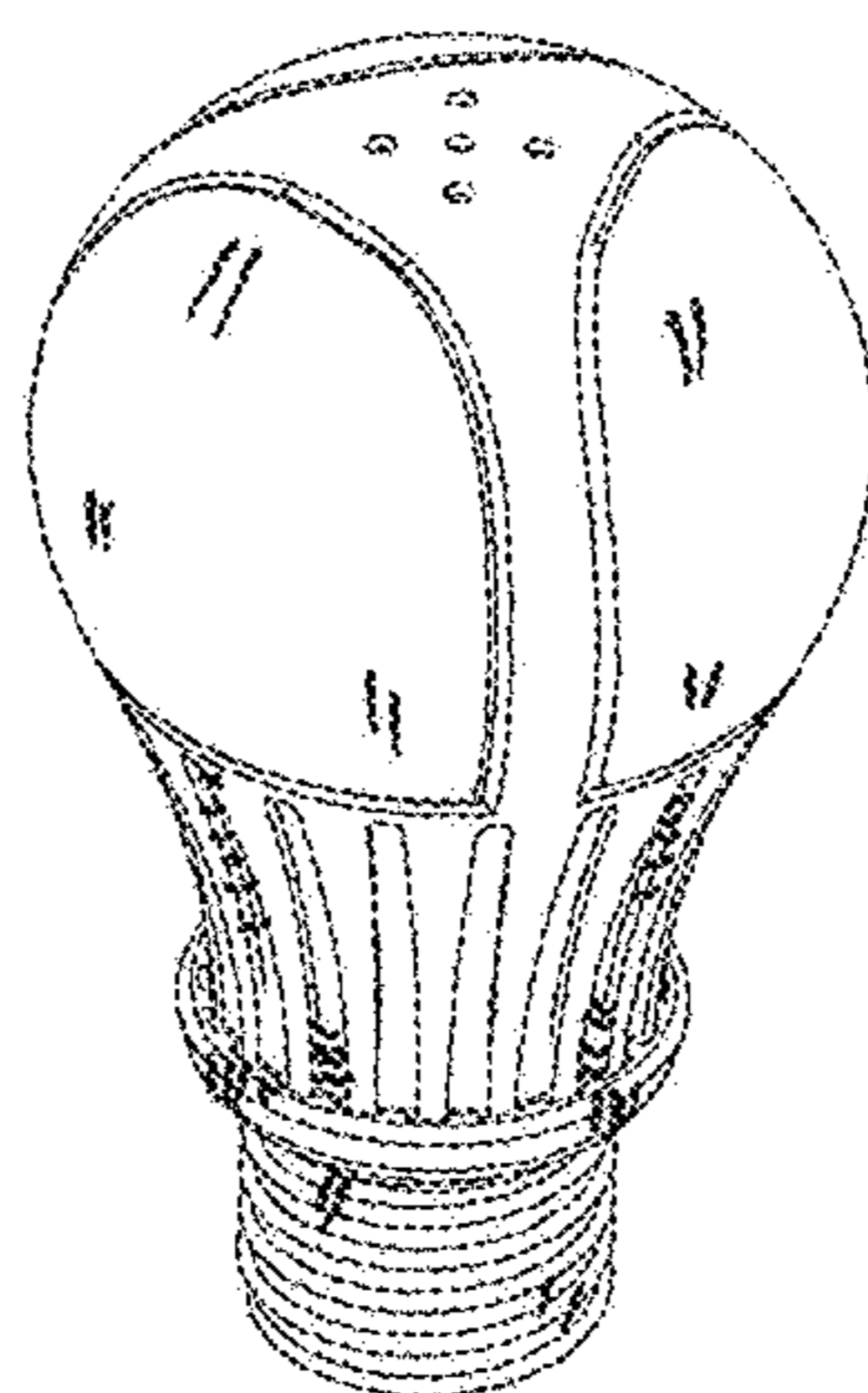


Fig. 8

