



US00D706460S

(12) **United States Design Patent**  
**Lu**

(10) **Patent No.:** **US D706,460 S**  
(45) **Date of Patent:** **\*\* Jun. 3, 2014**

(54) **LED LAMP**  
(71) Applicant: **Hangzhou HPWinner Opto Corporation, Hangzhou (CN)**  
(72) Inventor: **Huali Lu, Yongkang (CN)**  
(73) Assignee: **Hangzhou HPWinner Opto Corporation, Hangzhou (CN)**

D531,741 S *	11/2006	Takahashi .....	D26/2
D534,665 S *	1/2007	Egawa et al. ....	D26/2
D538,953 S *	3/2007	Mama .....	D26/2
D615,220 S *	5/2010	Crane et al. ....	D26/2
D617,915 S *	6/2010	Wada et al. ....	D26/2
D634,031 S *	3/2011	de Visser et al. ....	D26/2
D634,451 S *	3/2011	de Visser .....	D26/2
D651,327 S *	12/2011	Hsiao et al. ....	D26/2
D691,291 S *	10/2013	Qiu .....	D26/2

\* cited by examiner

(\*\*) Term: **14 Years**  
(21) Appl. No.: **29/447,591**  
(22) Filed: **Mar. 5, 2013**

*Primary Examiner* — Marcus Jackson  
(74) *Attorney, Agent, or Firm* — Brown & Michaels, PC

(30) **Foreign Application Priority Data**  
Sep. 20, 2012 (CN) ..... 2012 3 0450232  
(51) **LOC (10) Cl.** ..... **26-04**  
(52) **U.S. Cl.**  
USPC ..... **D26/2**  
(58) **Field of Classification Search**  
USPC ..... D26/1-4; 313/313, 315, 316, 317, 318,  
313/493; 315/52, 53, 56, 57, 58  
See application file for complete search history.

(57) **CLAIM**  
The ornamental design for an LED lamp, as shown and described.

**DESCRIPTION**

(56) **References Cited**  
U.S. PATENT DOCUMENTS  
D508,575 S \* 8/2005 Buschmann et al. .... D26/2  
D528,227 S \* 9/2006 Chou et al. .... D26/2

FIG. 1 is a front view of the LED lamp of the present invention.  
FIG. 2 is a back view of the LED lamp.  
FIG. 3 is a side view of the LED lamp.  
FIG. 4 is a side view of the LED lamp, showing the opposite side from FIG. 3.  
FIG. 5 is a bottom view of the LED lamp.  
FIG. 6 is a top view of the LED lamp.  
FIG. 7 is a perspective view of the LED lamp, viewed from an angle above the lamp; and,  
FIG. 8 is a perspective view of the LED lamp, viewed from an angle below the lamp.

**1 Claim, 4 Drawing Sheets**

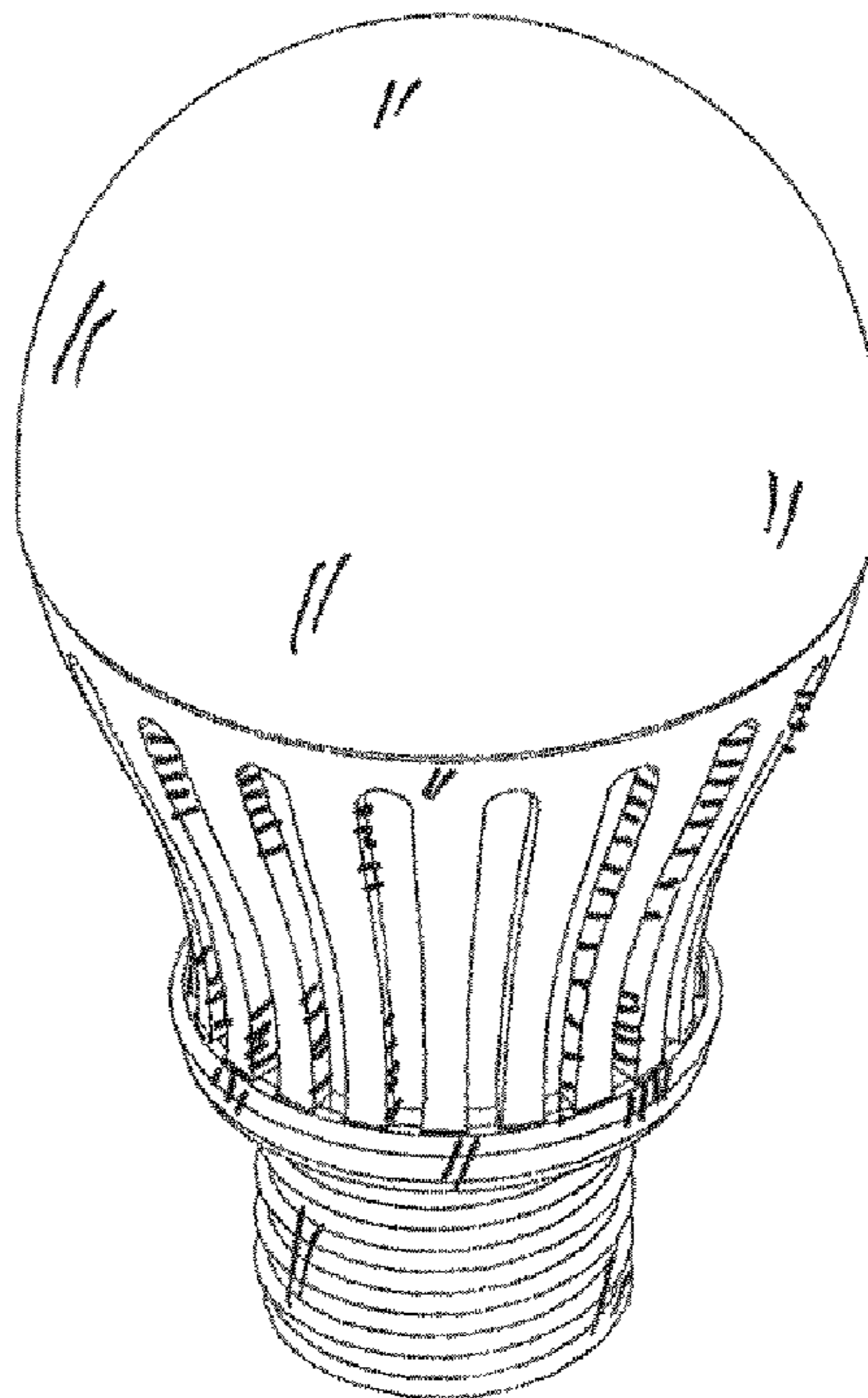


Fig. 1

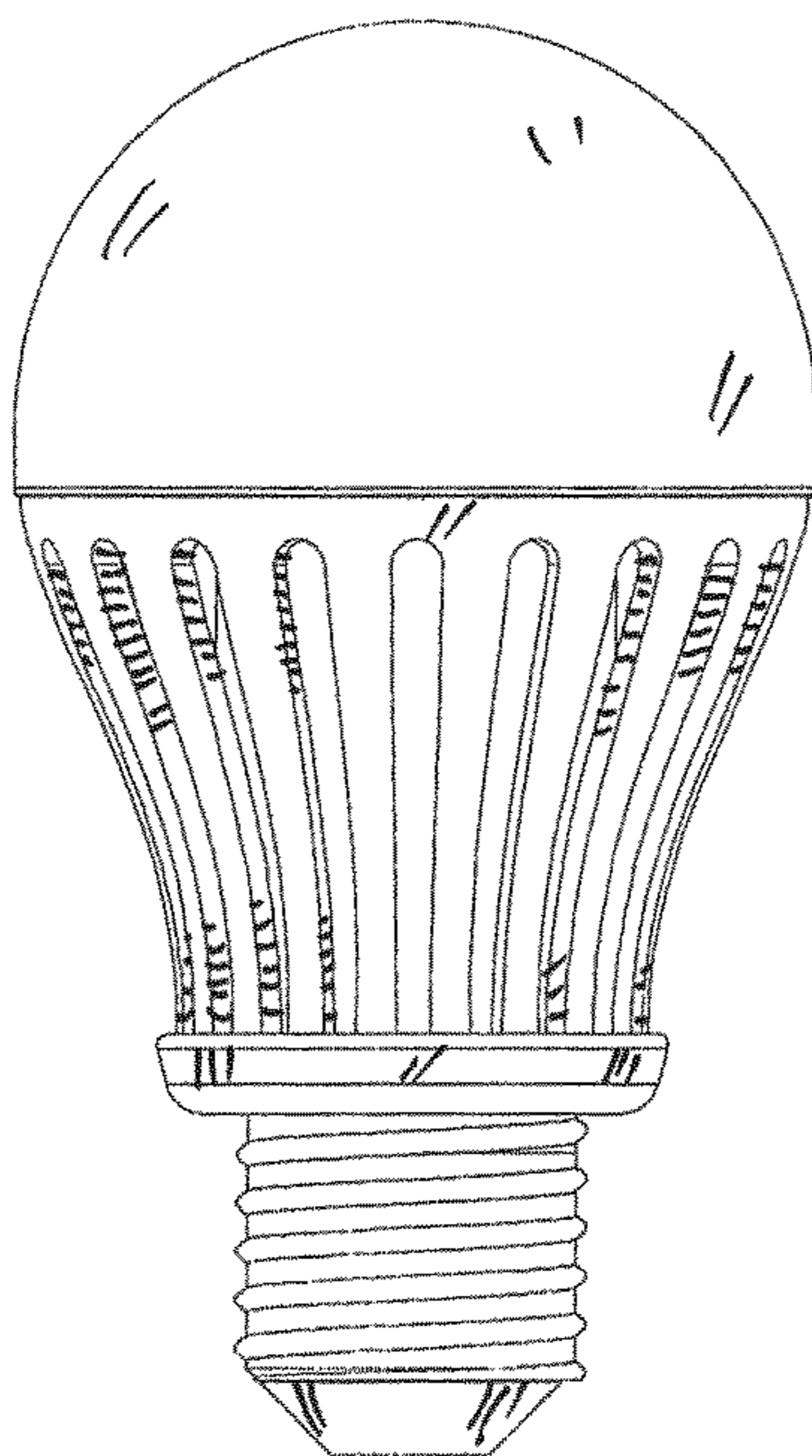


Fig. 2

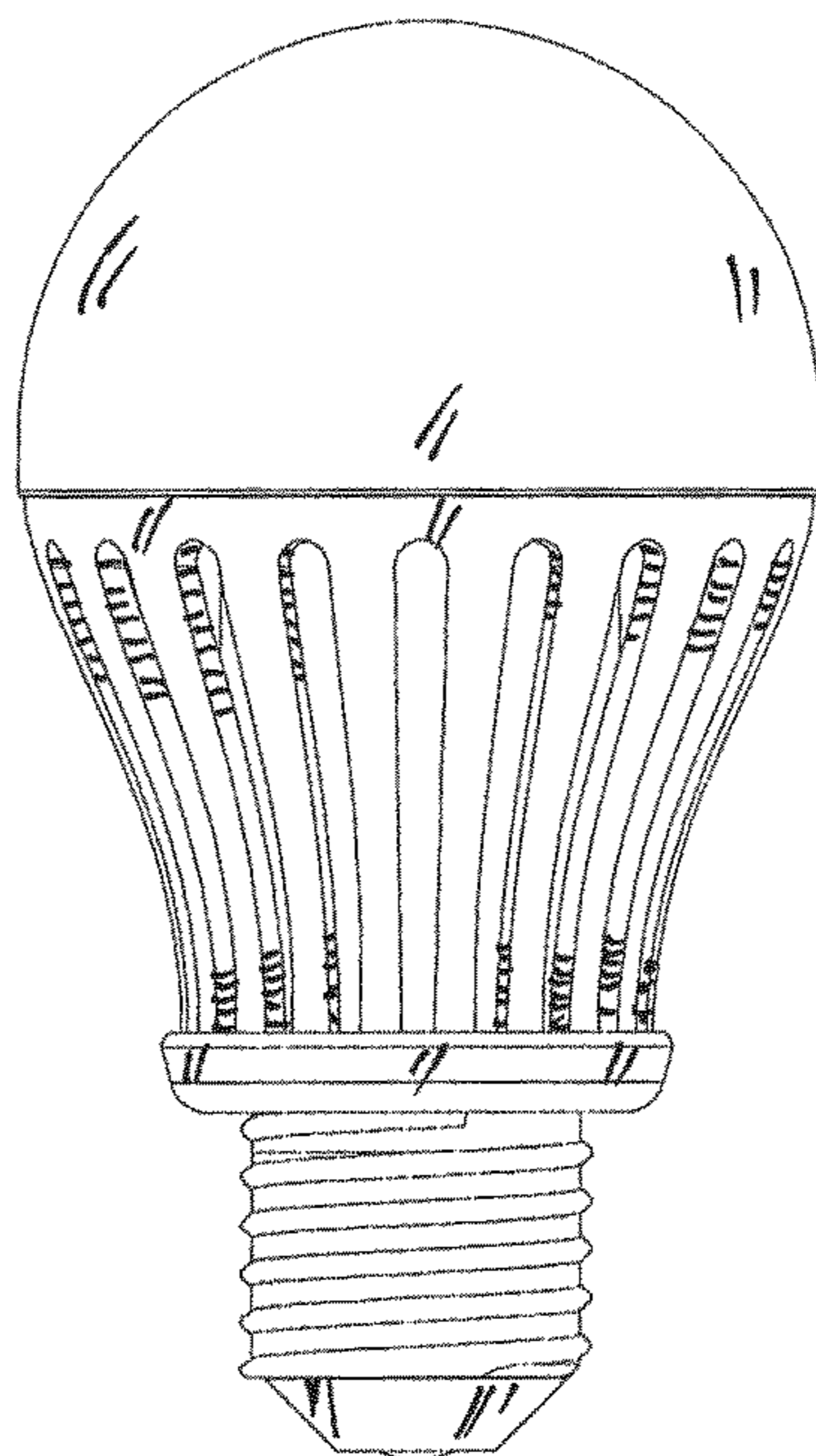


Fig. 3

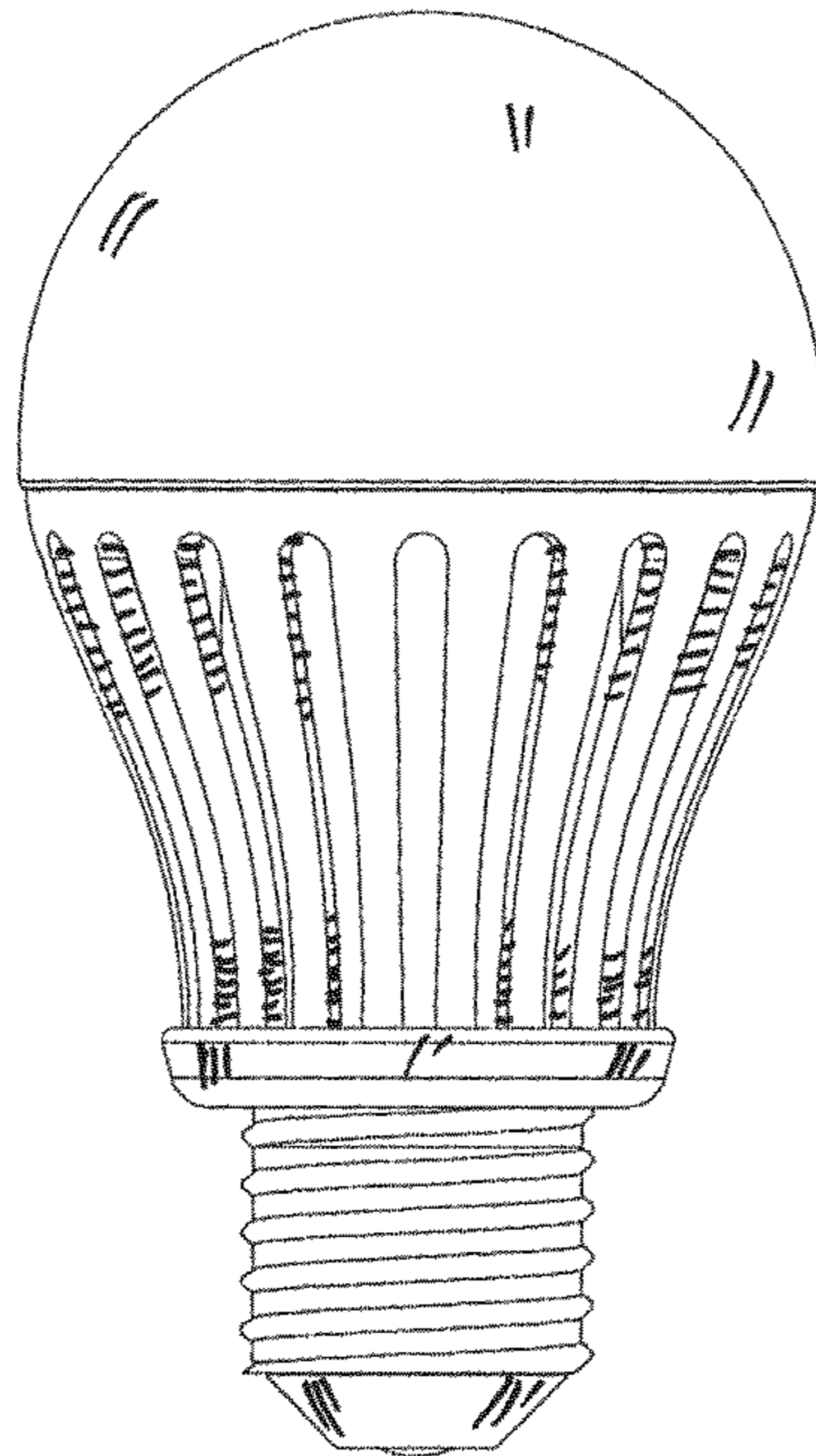


Fig. 4

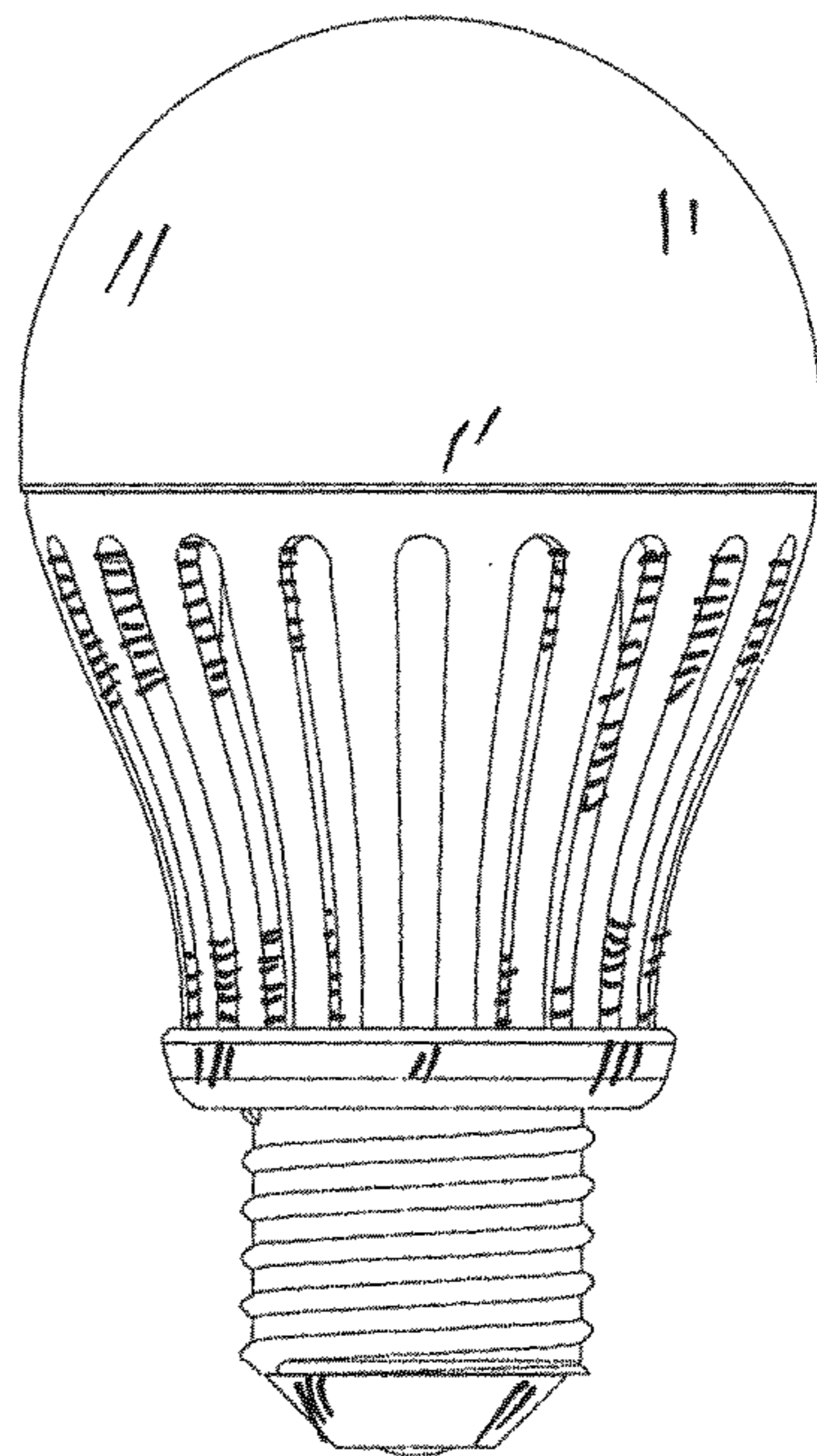


Fig. 5

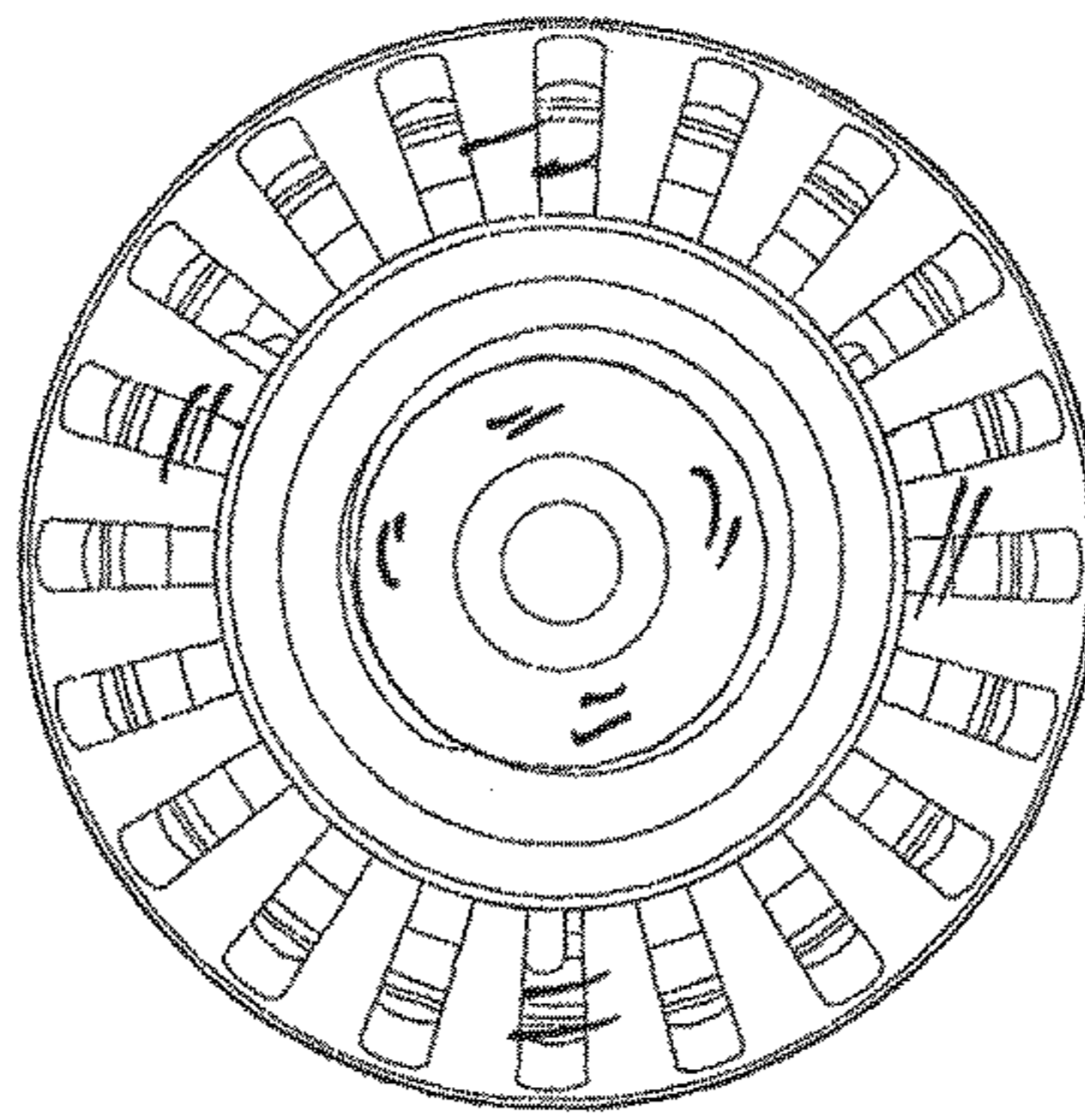


Fig. 6

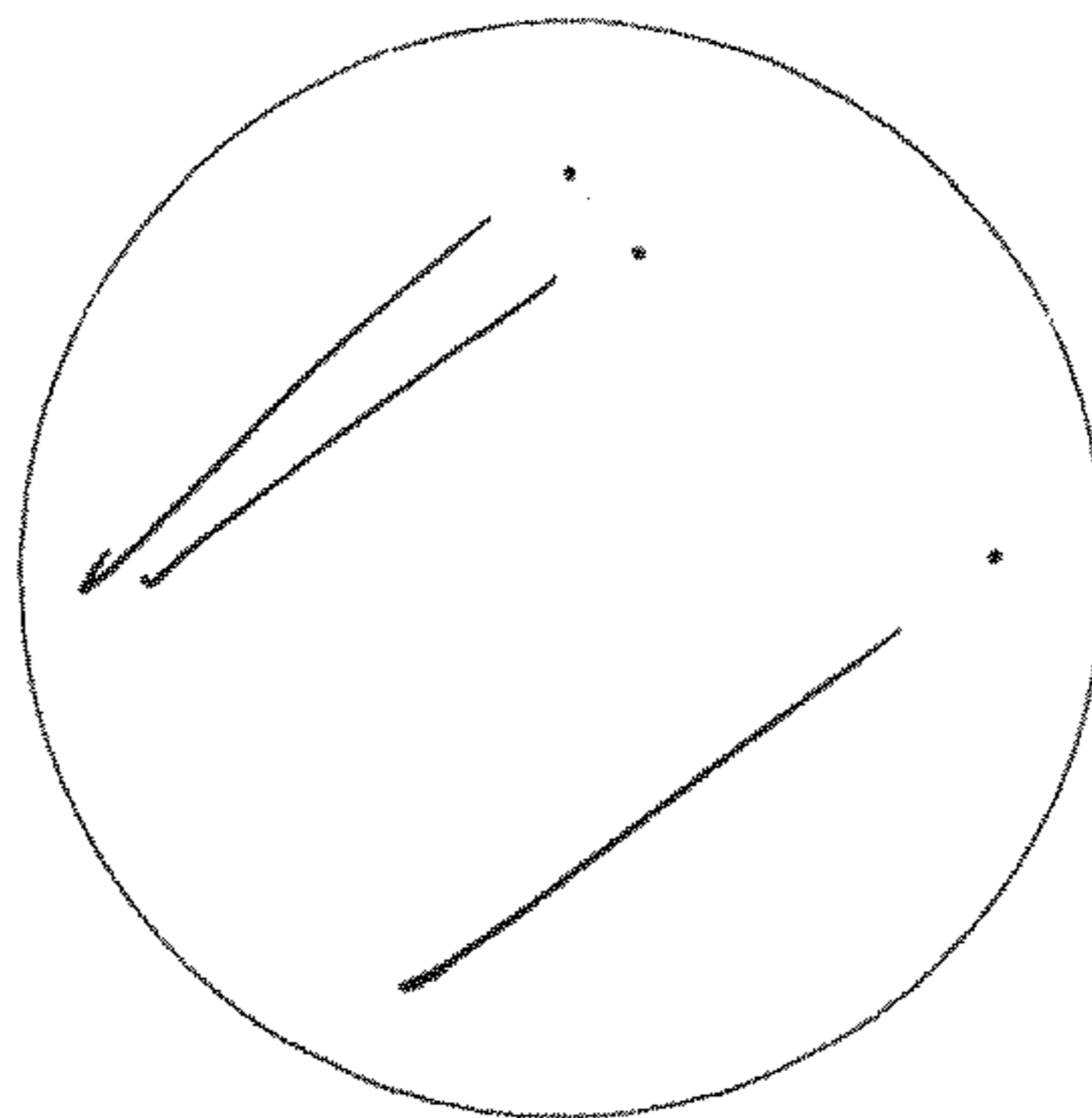


Fig. 7

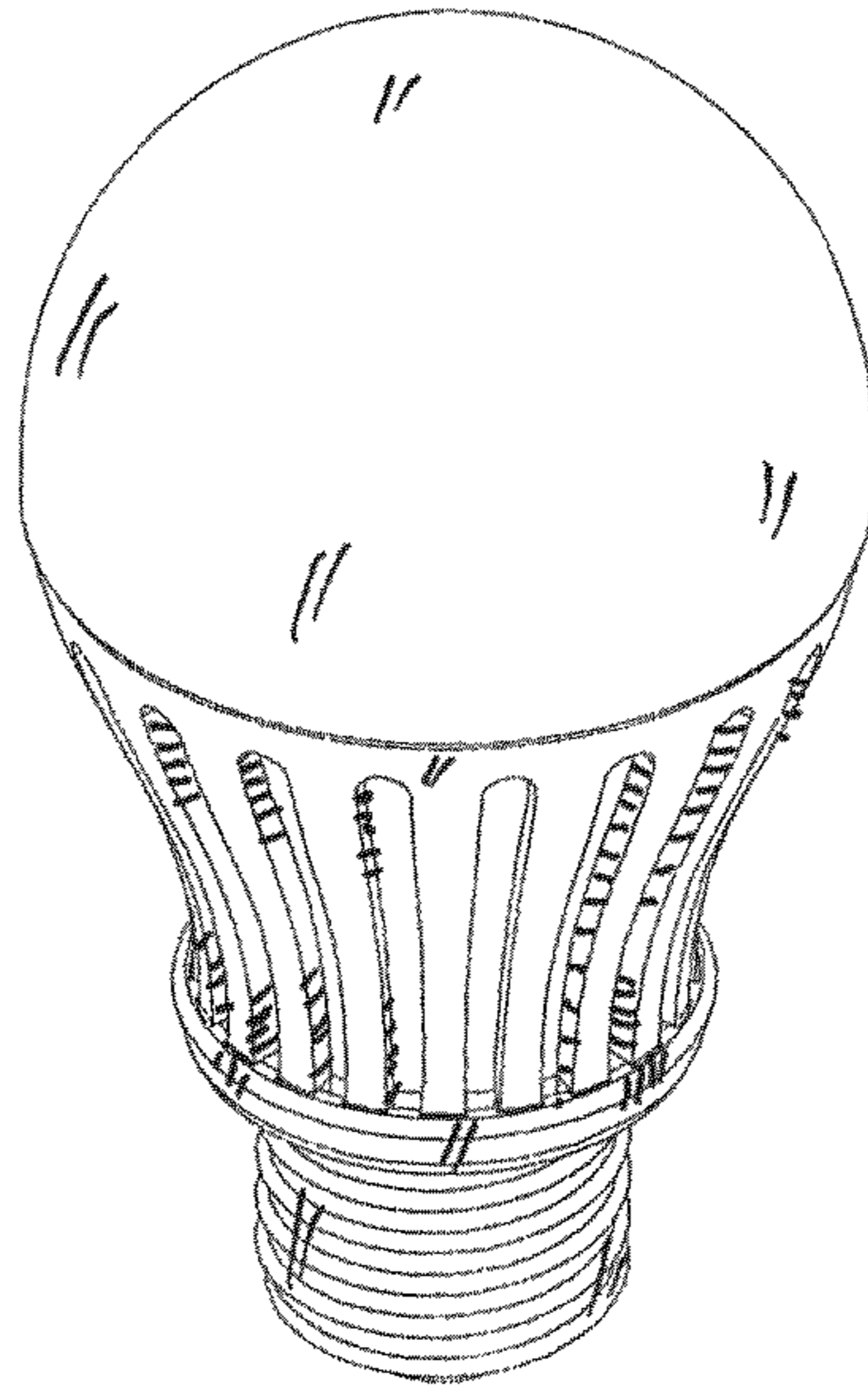


Fig. 8

