



US00D706459S

(12) **United States Design Patent**
Schluter et al.

(10) **Patent No.:** **US D706,459 S**
(45) **Date of Patent:** **** Jun. 3, 2014**

(54) **FLOOR SURFACE UNDERLAYMENT**
(75) Inventors: **Werner Schluter**, Iserlohn (DE); **Stefan Weige**, Iserlohn (DE)
(73) Assignee: **Schluter Systems L.P.**, Plattsburgh, NY (US)
(**) Term: **14 Years**
(21) Appl. No.: **29/432,009**
(22) Filed: **Sep. 12, 2012**
(51) **LOC (10) Cl.** **25-01**
(52) **U.S. Cl.**
USPC **D25/158; D25/138**
(58) **Field of Classification Search**
USPC D25/138, 163, 158; 52/403.1, 480, 385
See application file for complete search history.

6,094,878 A 8/2000 Schluter
6,434,901 B1 8/2002 Schluter
6,786,013 B2 9/2004 Coulton
6,802,668 B2 10/2004 Parker
6,805,298 B1 10/2004 Corbett
D555,814 S * 11/2007 Yin D25/138
7,536,835 B2 5/2009 Schluter
7,624,551 B2 12/2009 Thronicke et al.
8,176,694 B2 5/2012 Batori
2001/0017015 A1 8/2001 Schluter
2006/0260233 A1 11/2006 Schluter
2008/0083833 A1 4/2008 Blanke
2008/0236097 A1 10/2008 Tinianov
2008/0290503 A1 11/2008 Karavakis et al.
2008/0290504 A1 11/2008 Karavakis et al.
2008/0295441 A1 12/2008 Carolan
2009/0026192 A1 1/2009 Fuhrman
2009/0217605 A1 9/2009 Batori
2009/0230113 A1 9/2009 Batori
2011/0047907 A1 3/2011 Smolka et al.

* cited by examiner

Primary Examiner — Doris Clark

(74) *Attorney, Agent, or Firm* — Thorpe North & Western LLP

(56) **References Cited**

U.S. PATENT DOCUMENTS

2,737,396 A 3/1956 Stanley
2,956,785 A 10/1960 Richl
3,597,891 A 8/1971 Martin
3,687,771 A 8/1972 Meije
D263,628 S * 3/1982 Platner D25/158
4,905,437 A * 3/1990 Heather 52/263
4,917,933 A 4/1990 Schluter
4,923,733 A 5/1990 Herbst
5,042,569 A 8/1991 Siegmund
5,052,161 A 10/1991 Whitacre
5,082,712 A 1/1992 Starp
5,333,432 A 8/1994 Schluter
5,412,917 A * 5/1995 Shelton 52/403.1
5,619,832 A 4/1997 Myrvold
5,868,399 A 2/1999 Schluter

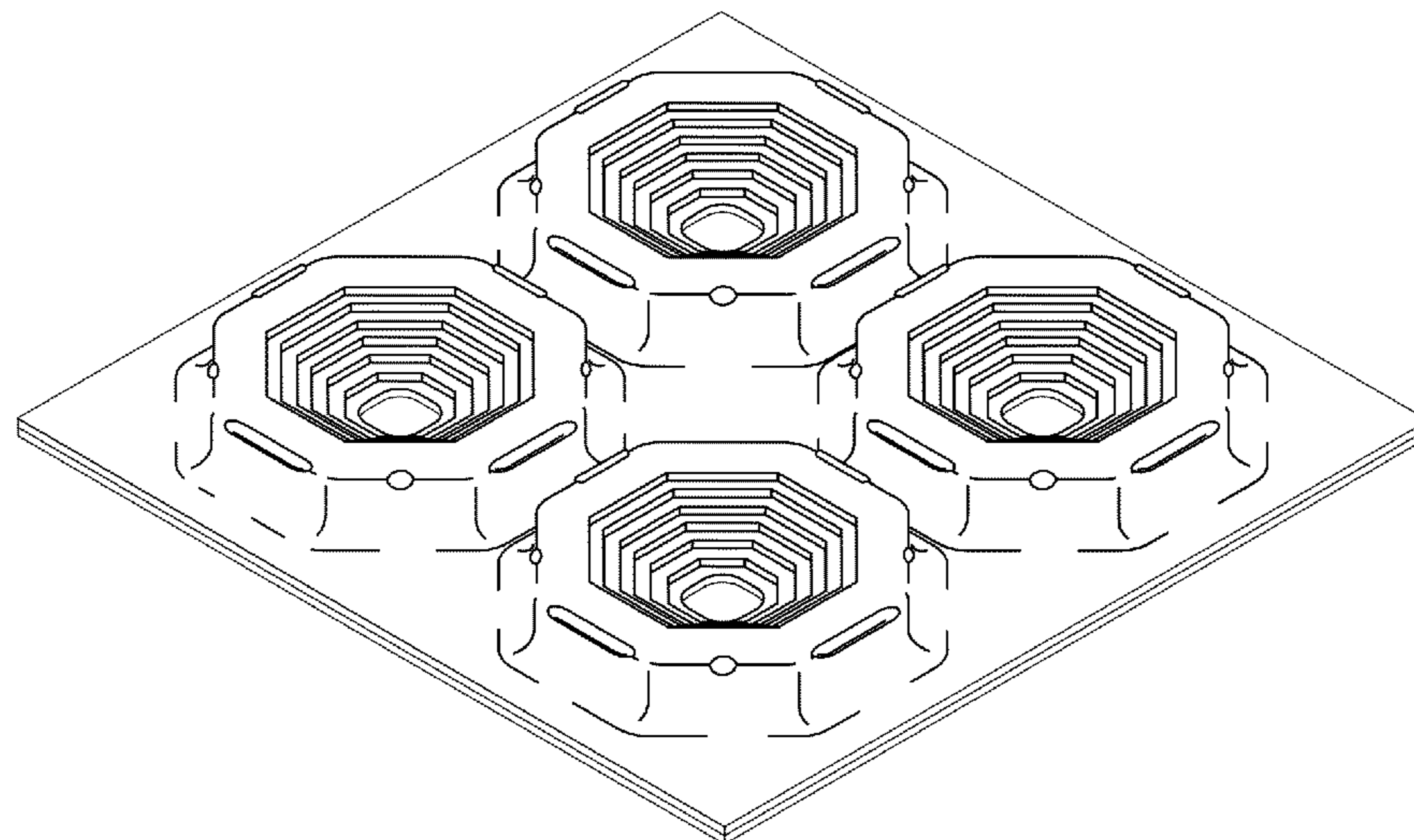
(57) **CLAIM**

The ornamental design for a floor surface underlayment, as shown.

DESCRIPTION

FIG. 1 is a perspective view of a floor surface underlayment in accordance with an embodiment of the present invention; FIG. 2 is a top view thereof; FIG. 3 is a bottom view thereof; and, FIG. 4 is a side view thereof, all other side views being mirror images thereof.

1 Claim, 4 Drawing Sheets



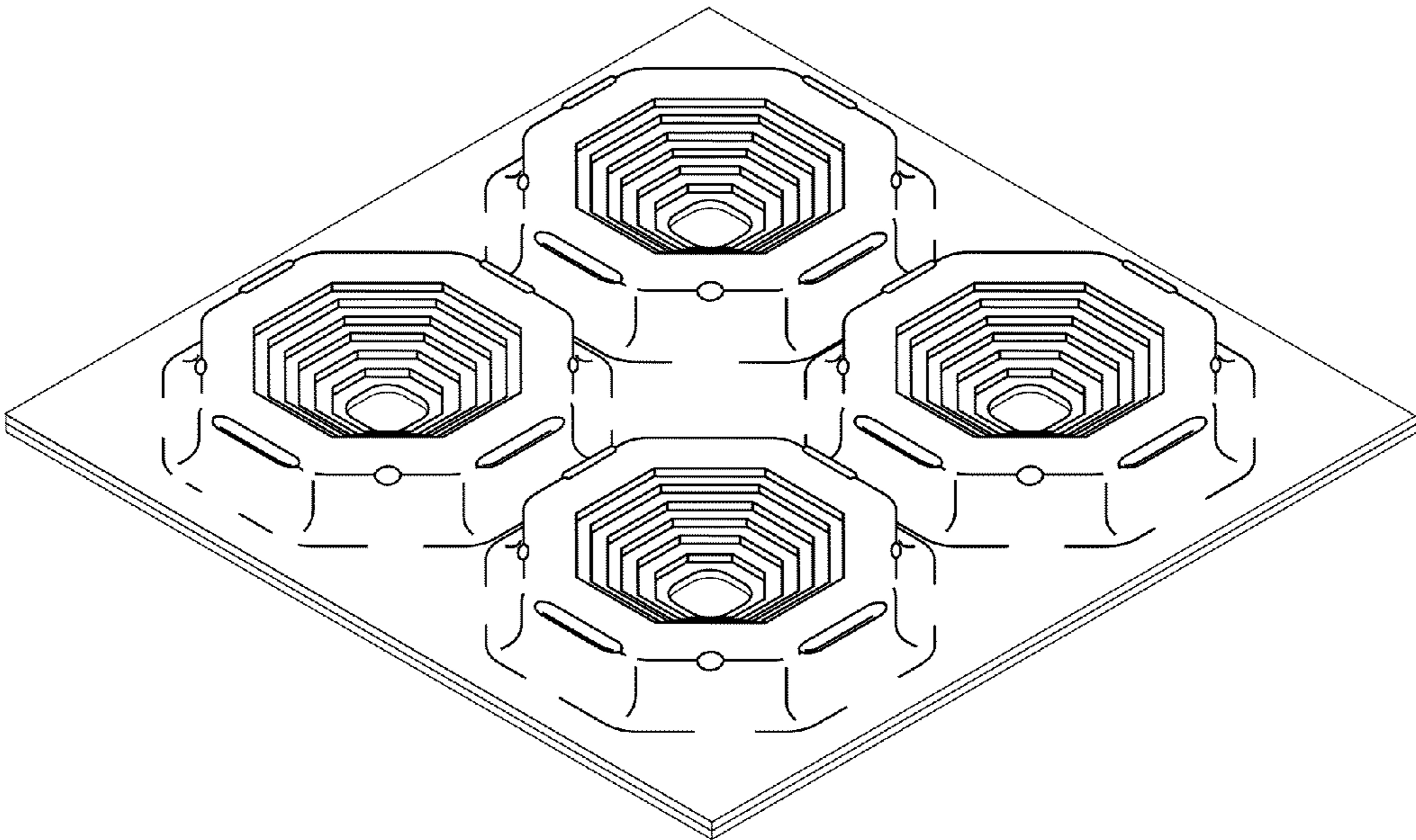


FIG. 1

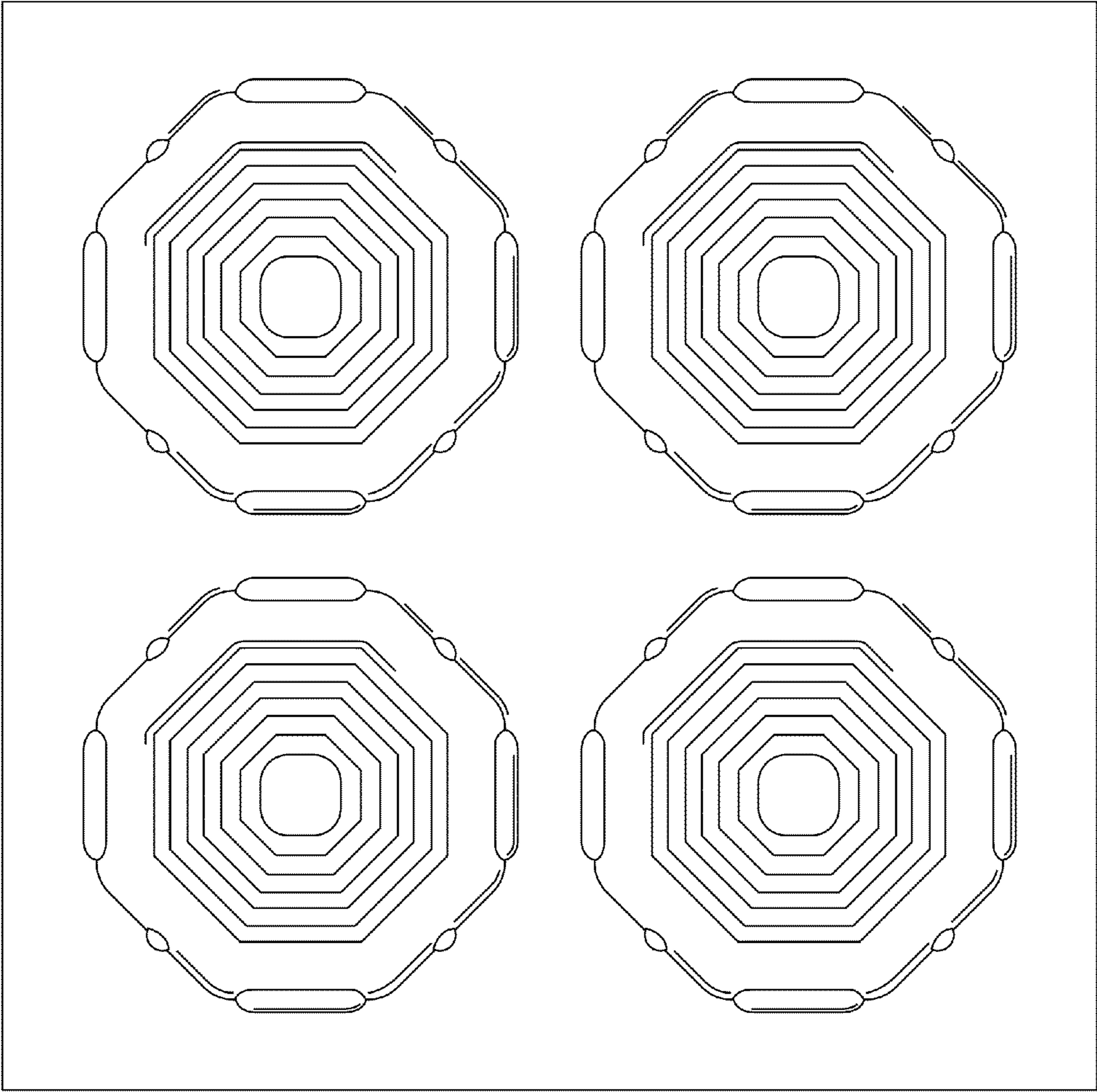


FIG. 2

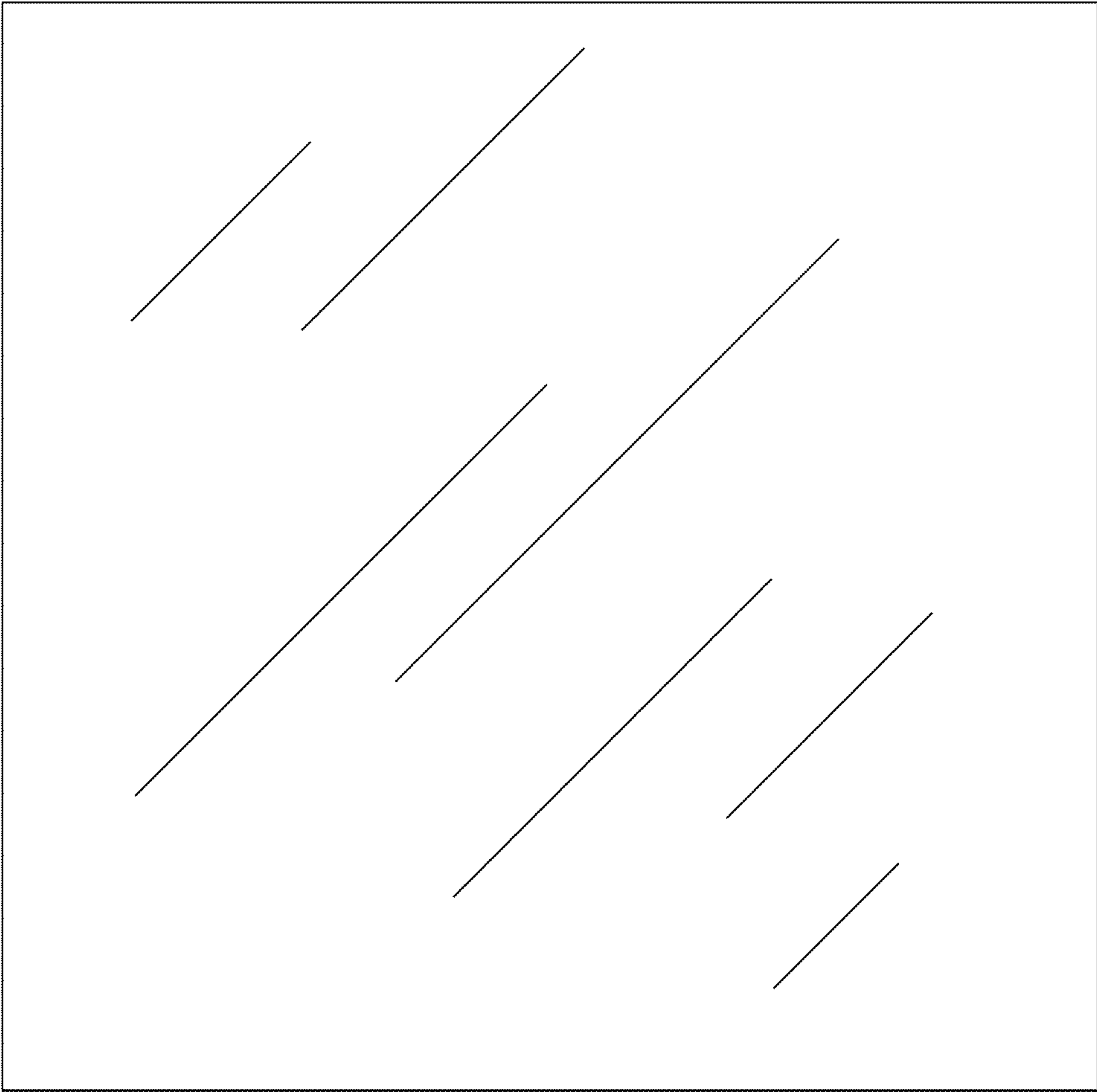


FIG. 3

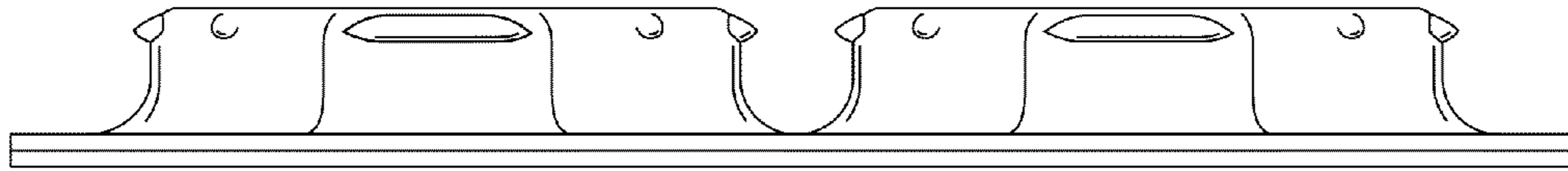


FIG. 4