



US00D706458S

(12) **United States Design Patent**  
**Kosonen**

(10) **Patent No.:** **US D706,458 S**  
(45) **Date of Patent:** **\*\* \*Jun. 3, 2014**

(54) **WINDOW COMPONENT EXTRUSION**

(75) Inventor: **Martin S. Kosonen**, Seattle, WA (US)

(73) Assignee: **Mikron Industries, Inc.**, Kent, WA (US)

(\*) Notice: This patent is subject to a terminal disclaimer.

(\*\*) Term: **14 Years**

(21) Appl. No.: **29/421,710**

(22) Filed: **Sep. 7, 2012**

(51) **LOC (10) Cl.** ..... **25-01**

(52) **U.S. Cl.**  
USPC ..... **D25/124**

(58) **Field of Classification Search**  
USPC ..... D25/124; 49/DIG. 2, 504; 52/204.5,  
52/204.55, 213

See application file for complete search history.

(56) **References Cited**

U.S. PATENT DOCUMENTS

5,687,519 A \* 11/1997 Bruchu ..... 52/213  
5,694,731 A \* 12/1997 Tonsmann et al. .... 52/656.3  
D435,918 S \* 1/2001 Hauberg et al. .... D25/124

\* cited by examiner

*Primary Examiner* — Doris Clark

(74) *Attorney, Agent, or Firm* — Zollinger & Burleson Ltd.

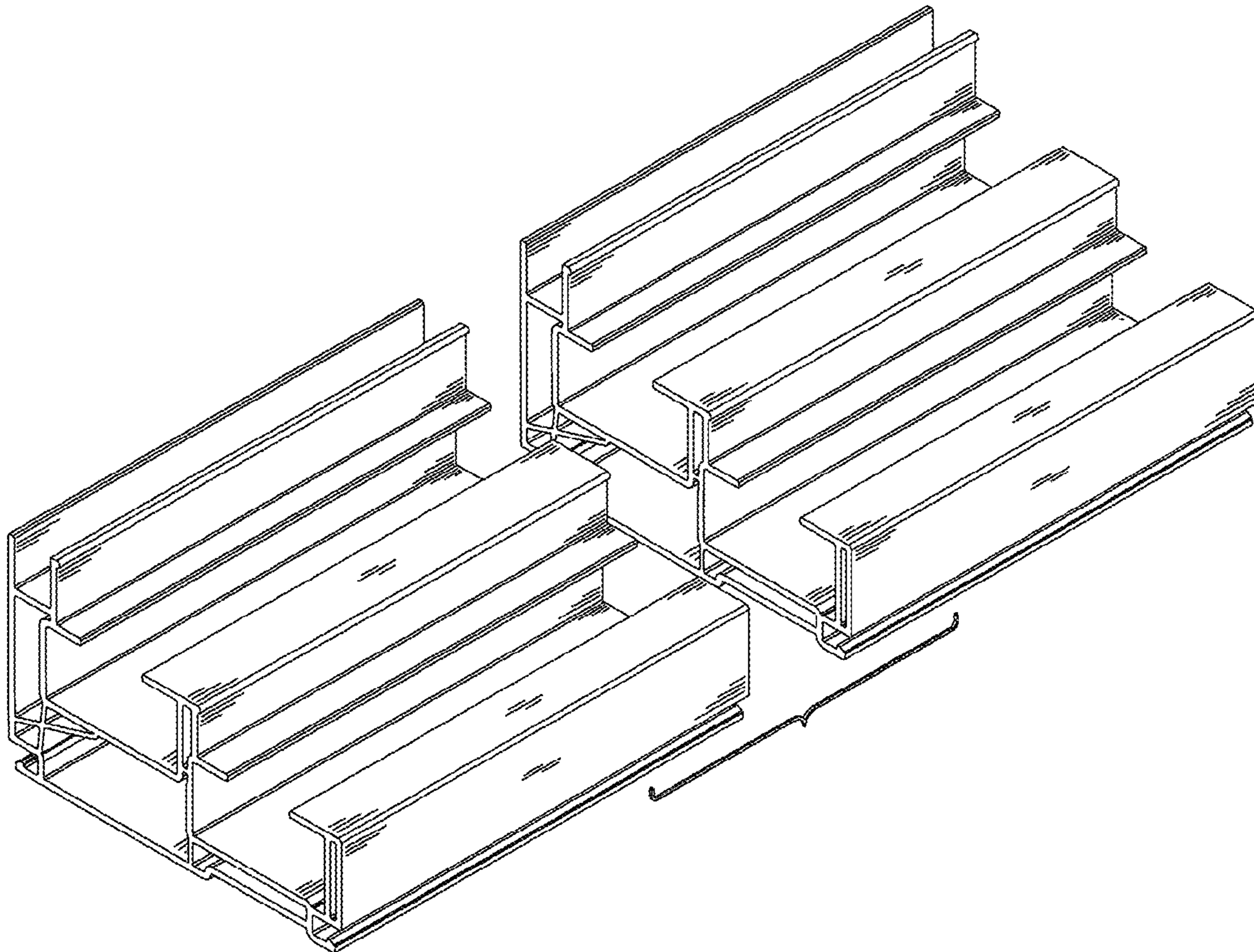
(57) **CLAIM**

The ornamental design for a window component extrusion, as shown and described.

**DESCRIPTION**

FIG. 1 is a top right perspective view of the window component extrusion which is broken in the center indicating indefinite length; and, FIG. 2 is a bottom left perspective view of the window component extrusion shown in FIG. 1.

**1 Claim, 1 Drawing Sheet**



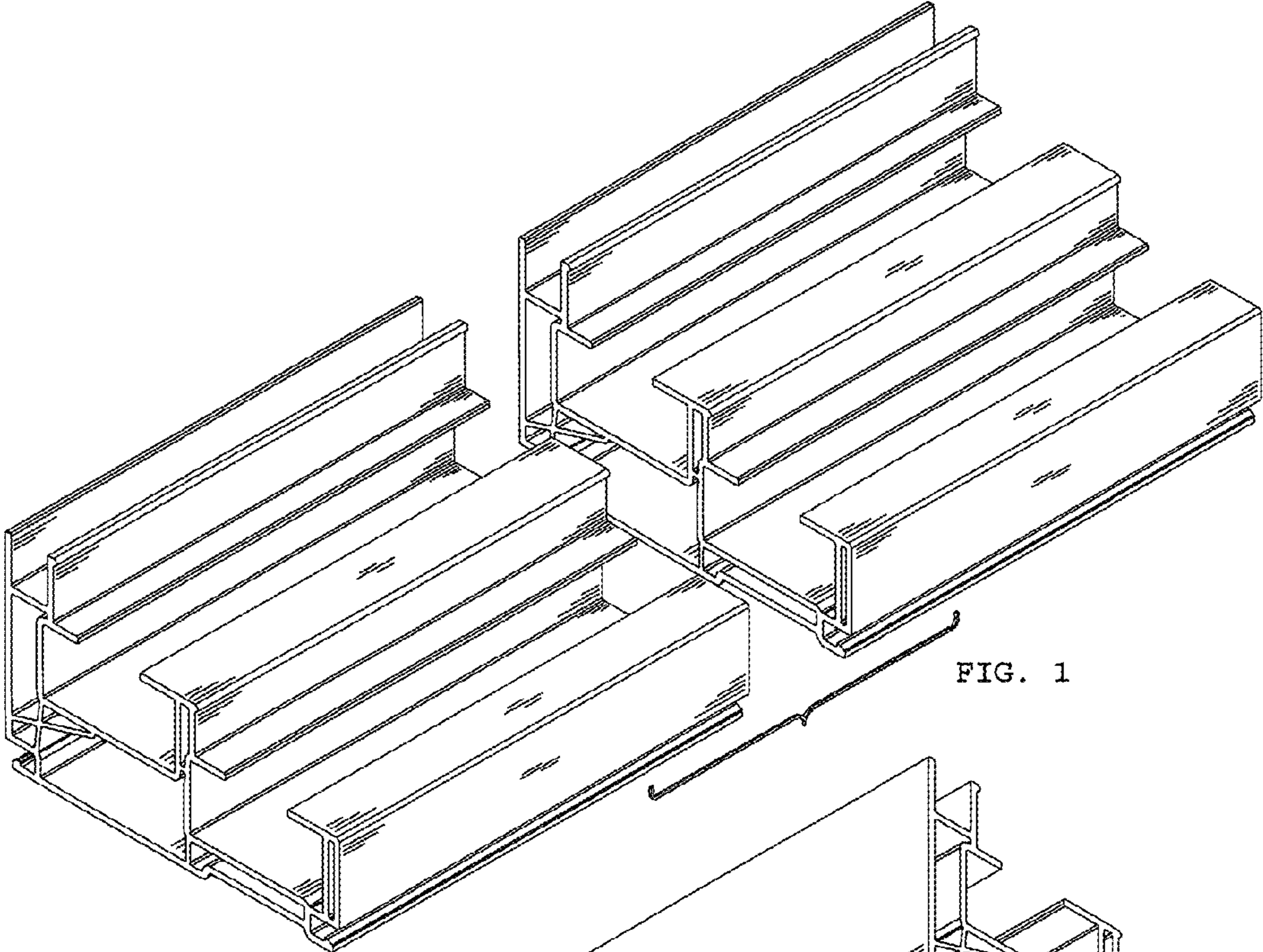


FIG. 1

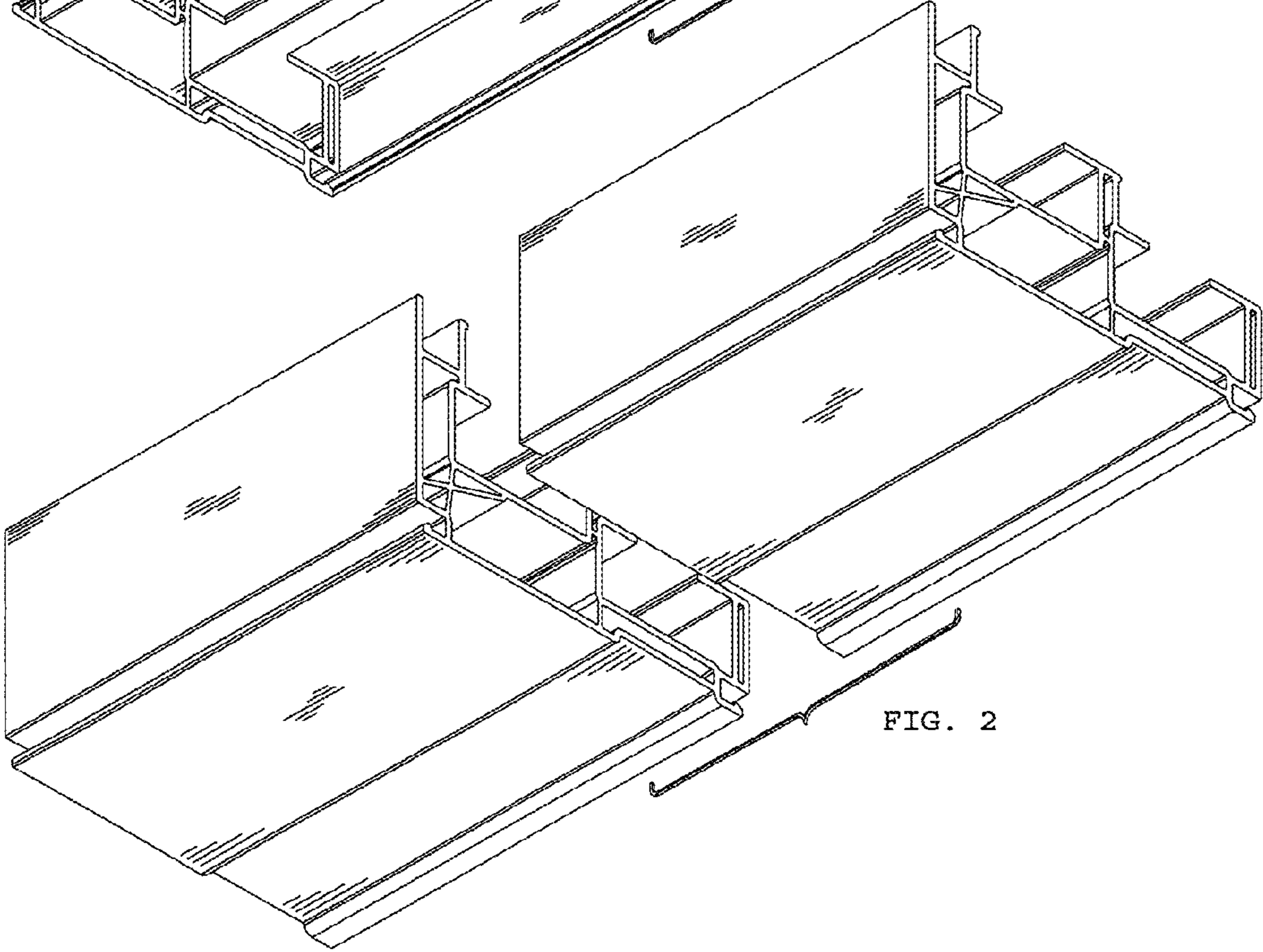


FIG. 2