



US00D706455S

(12) **United States Design Patent**  
**Buchanan et al.**

(10) **Patent No.:** **US D706,455 S**  
(45) **Date of Patent:** **\*\* \*Jun. 3, 2014**

(54) **LADDER**

(56) **References Cited**

(71) Applicants: **Jonathan R. Buchanan**, Perrysburg, OH (US); **Shreyas Banerjee**, Maumee, OH (US); **Joel H. Helmick**, Toledo, OH (US); **Mihir P. Joshi**, Sylvania, OH (US); **Samuel J. Falls Peters**, Millbury, OH (US)

U.S. PATENT DOCUMENTS

3,307,652	A *	3/1967	Green .....	182/22
4,428,458	A *	1/1984	Fiore et al. ....	182/116
D300,365	S *	3/1989	Wallick et al. ....	D25/64
D523,155	S *	6/2006	Shoultz .....	D25/64

\* cited by examiner

(72) Inventors: **Jonathan R. Buchanan**, Perrysburg, OH (US); **Shreyas Banerjee**, Maumee, OH (US); **Joel H. Helmick**, Toledo, OH (US); **Mihir P. Joshi**, Sylvania, OH (US); **Samuel J. Falls Peters**, Millbury, OH (US)

*Primary Examiner* — Doris Clark

(74) *Attorney, Agent, or Firm* — Buchanan Nipper

(57) **CLAIM**

We claim the ornamental design for a ladder, as shown and described.

(\* ) Notice: This patent is subject to a terminal disclaimer.

**DESCRIPTION**

(\*\*) Term: **14 Years**

FIG. 1 is a perspective view of a ladder showing our design; FIG. 2 is a partial front view thereof; FIG. 3 is a partial rear view thereof; FIG. 4 is a partial top view thereof; FIG. 5 is a partial bottom view thereof; FIG. 6 is a partial side view thereof; and, FIG. 7 is a partial side view thereof, being opposite the view illustrated in FIG. 6.

(21) Appl. No.: **29/438,316**

(22) Filed: **Nov. 28, 2012**

(51) **LOC (10) Cl.** ..... **25-04**

(52) **U.S. Cl.**  
USPC ..... **D25/64**

(58) **Field of Classification Search**  
USPC ..... D25/64; 182/206, 93, 64.1, 186.7, 182/180.1, 194, 189, 105, 115, 116

The ladder is shown in partial view in each of FIGS. 2-7 to more clearly illustrate the top portion of the claimed design. Any broken lines and shading lines within these Figures showing the environment are for illustration purposes only and form no part of the claimed design.

See application file for complete search history.

**1 Claim, 3 Drawing Sheets**



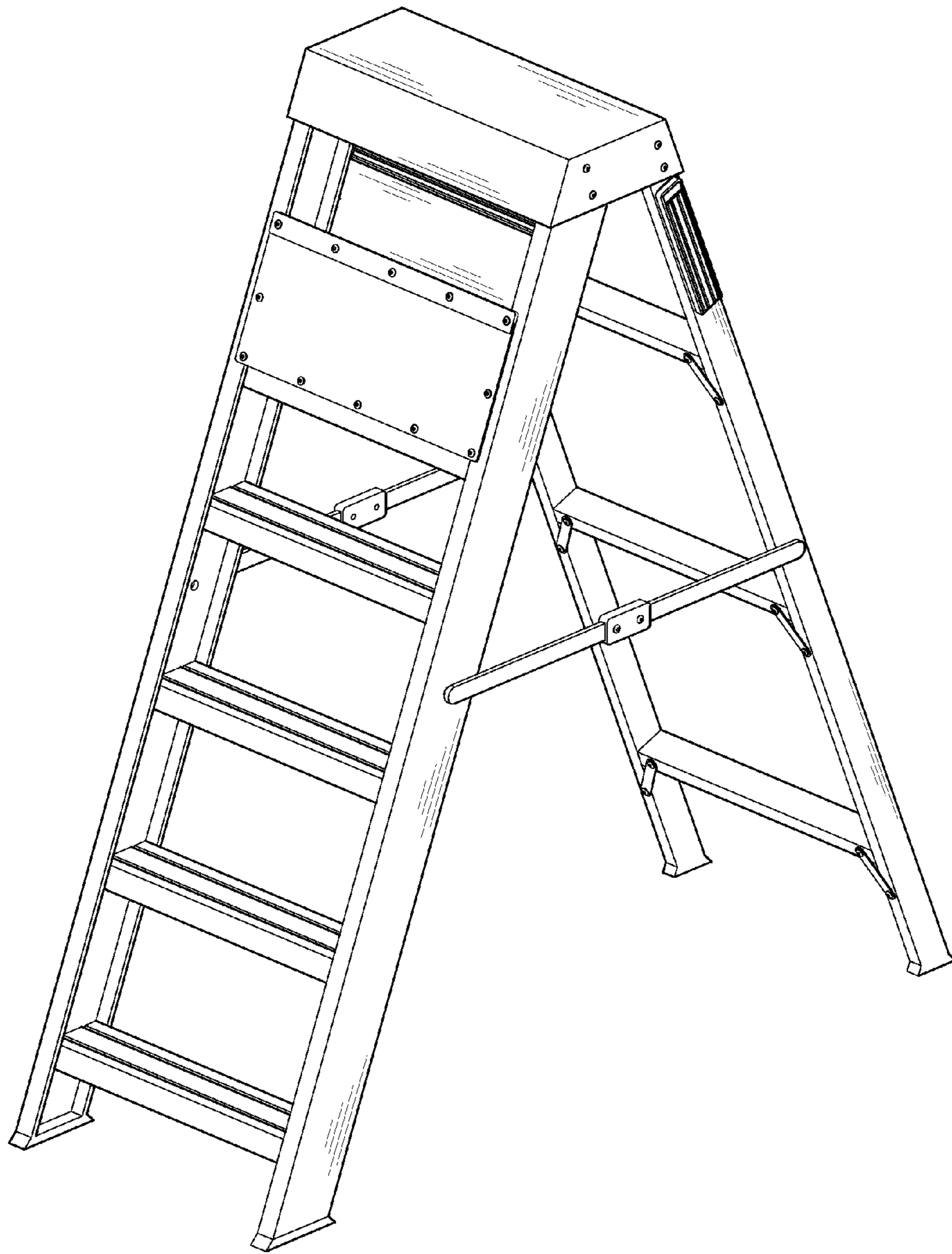
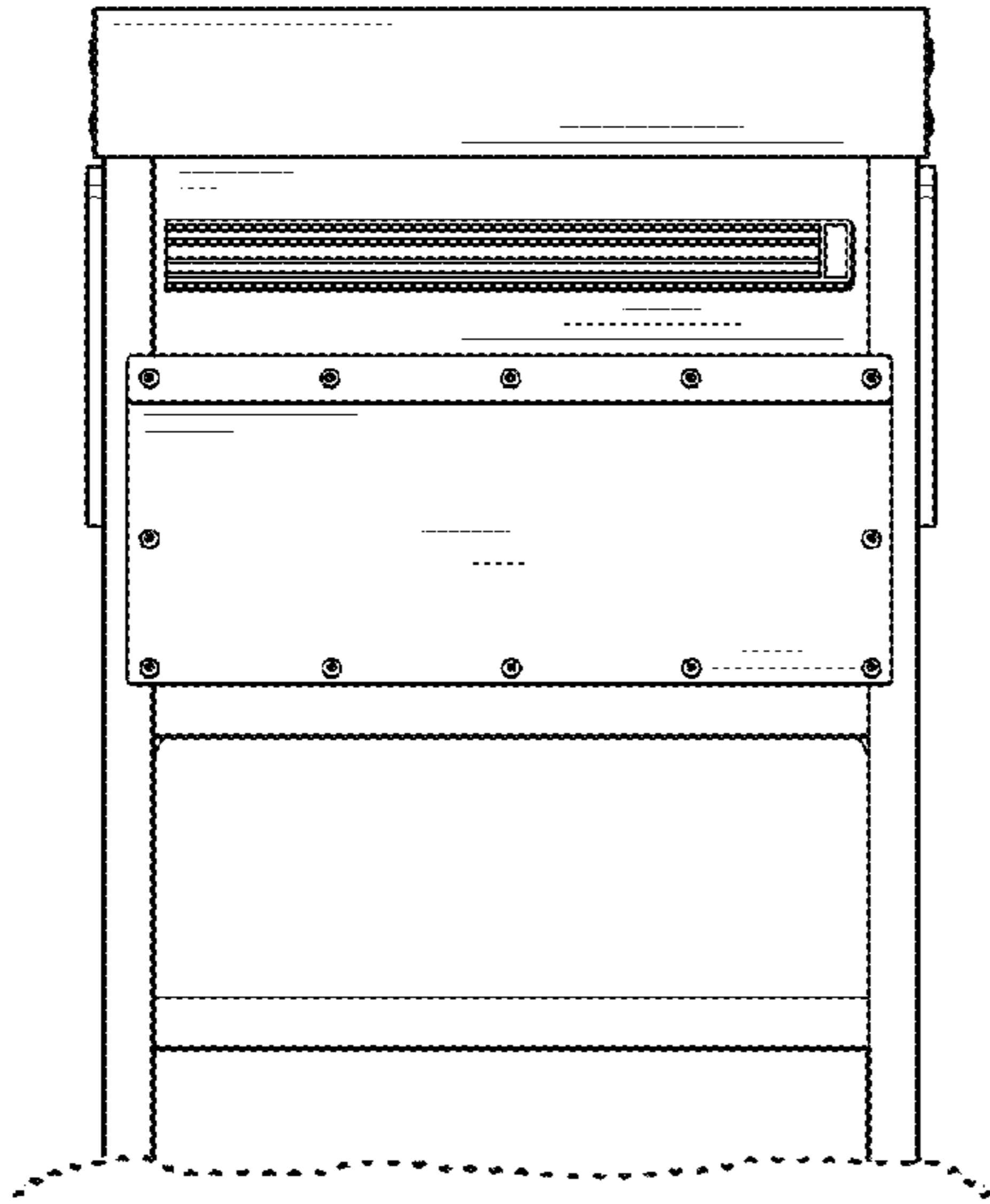
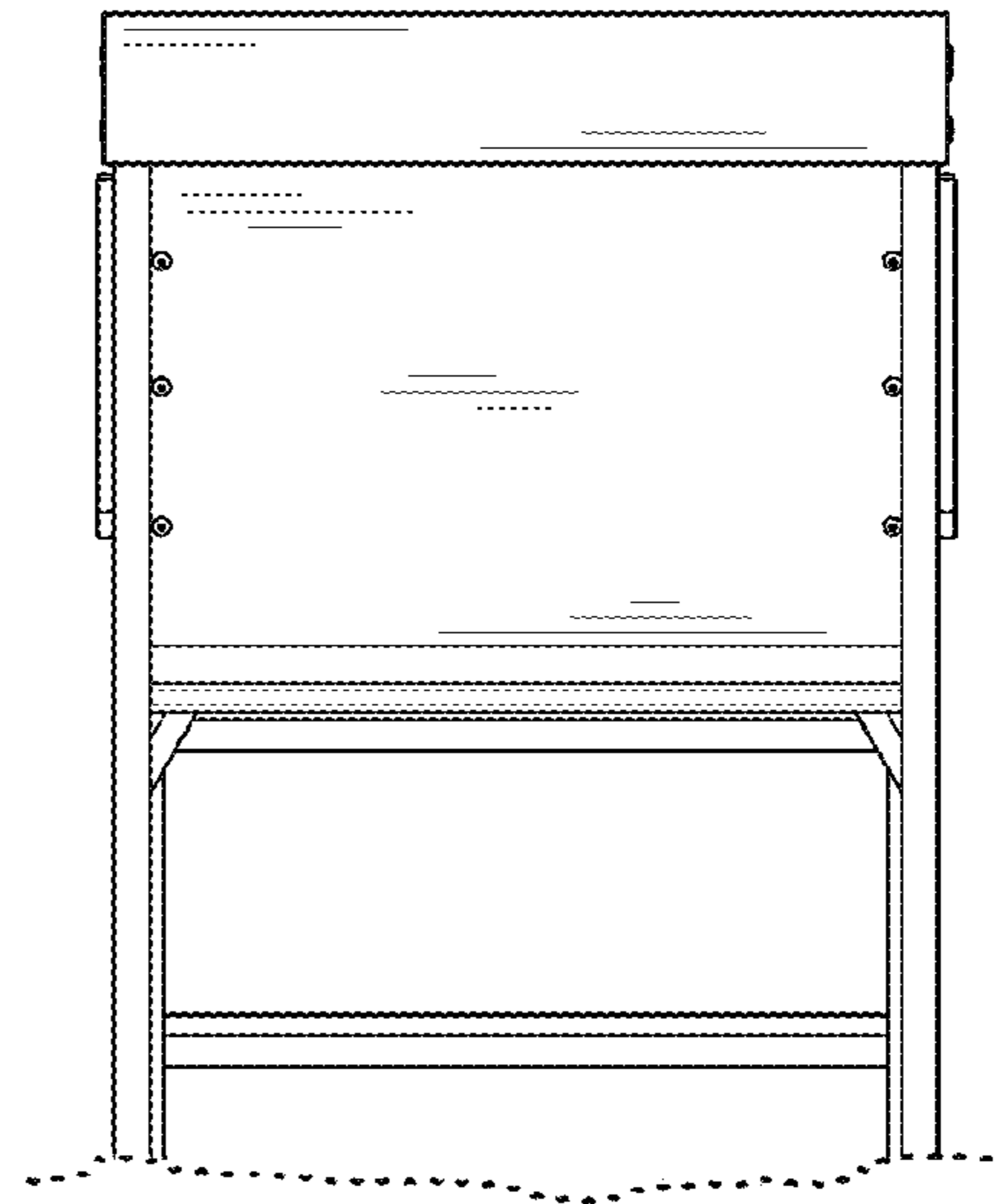


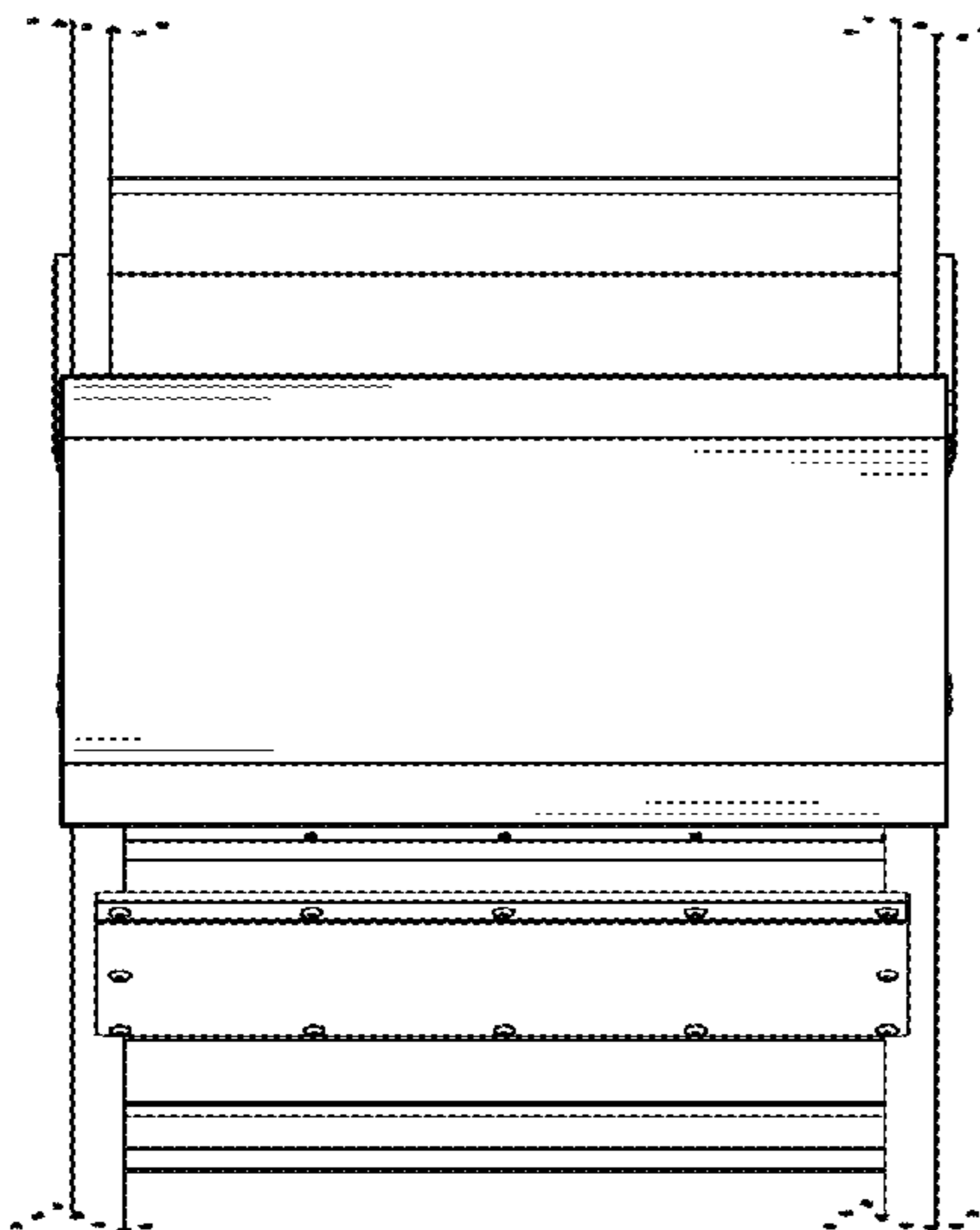
FIG. 1



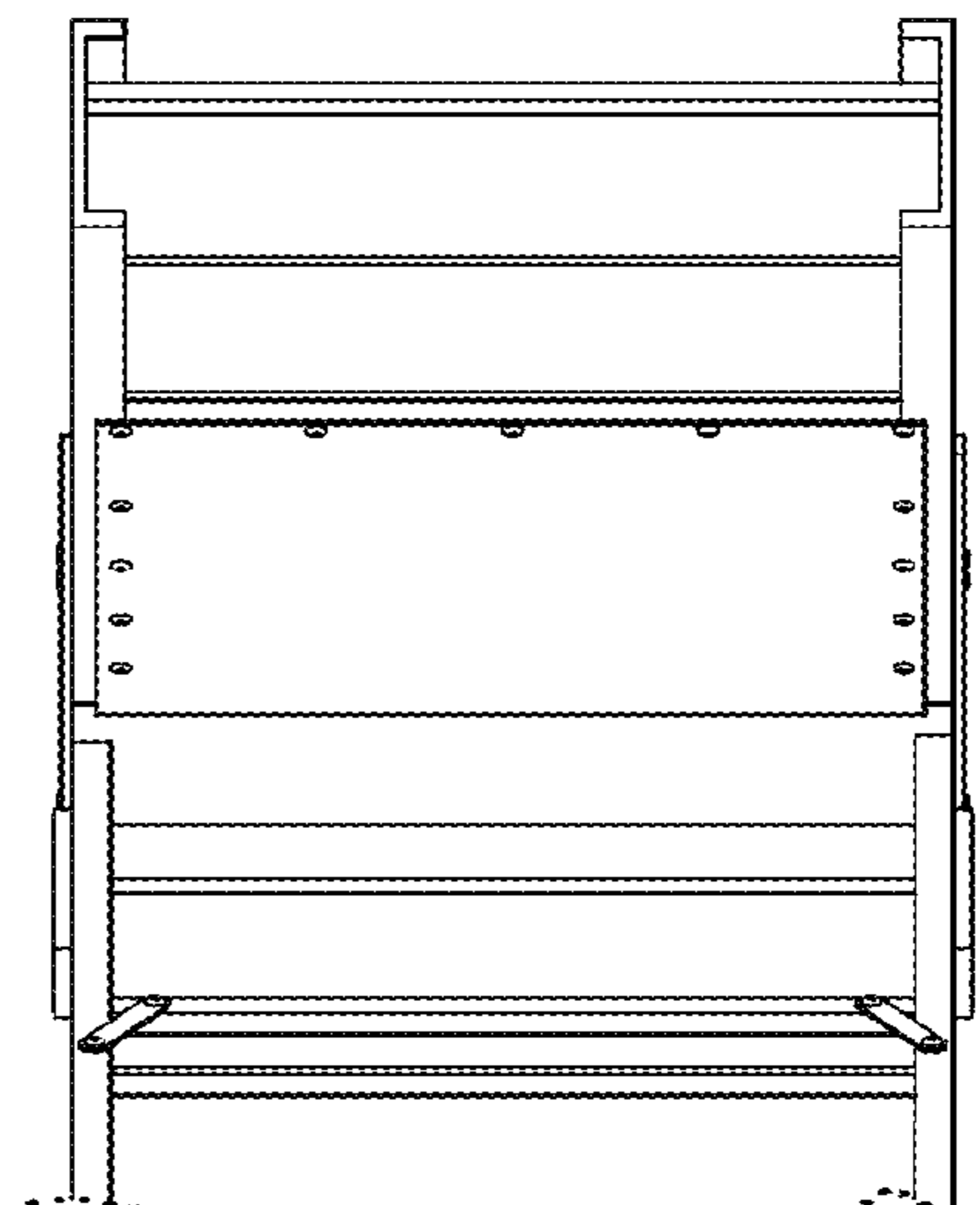
**FIG. 2**



**FIG. 3**



**FIG. 4**



**FIG. 5**

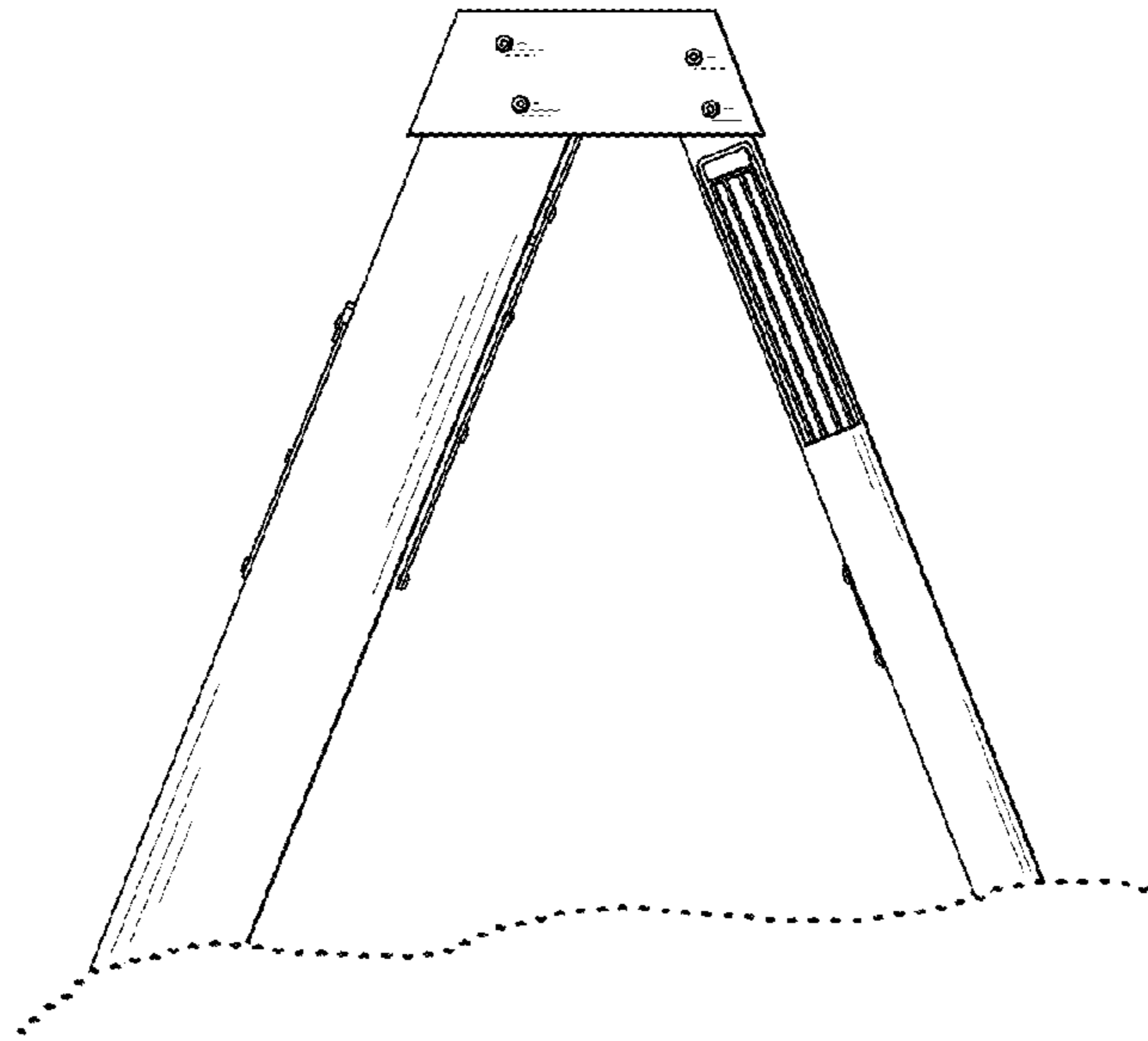


FIG. 6

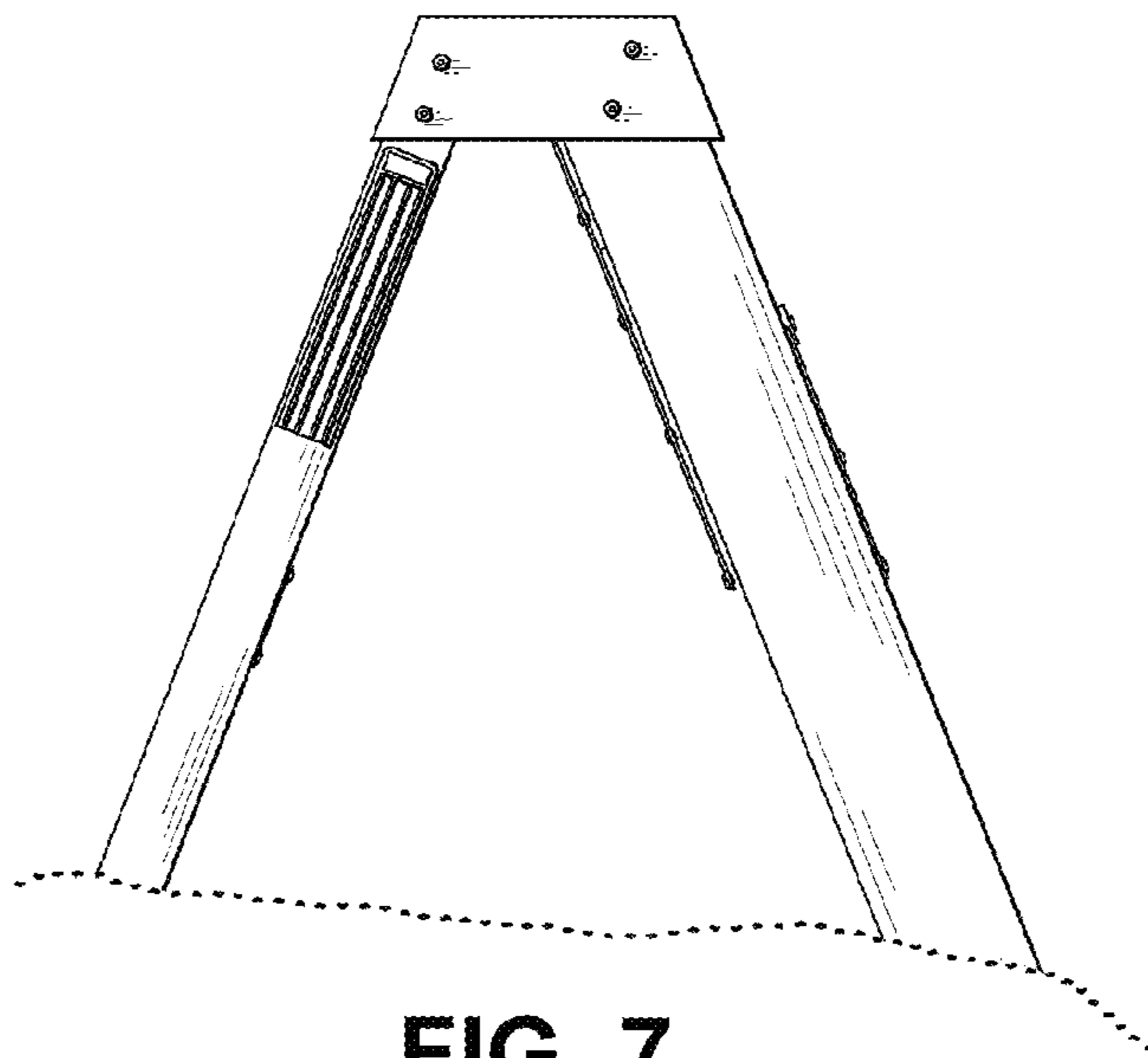


FIG. 7