



US00D706453S

(12) **United States Design Patent**
Kalkhoven et al.

(10) **Patent No.:** **US D706,453 S**
(45) **Date of Patent:** **** Jun. 3, 2014**

(54) **WINDOW**

(71) Applicant: **VKR Holding A/S**, Hørsholm (DK)

(72) Inventors: **Paul Kalkhoven**, London (GB);
Stephan Verkuijlen, London (GB);
Brent Møller, Gentofte (DK)

(73) Assignee: **VKR Holding A/S** (DK)

(**) Term: **14 Years**

(21) Appl. No.: **29/470,905**

(22) Filed: **Oct. 25, 2013**

Related U.S. Application Data

(62) Division of application No. 29/412,964, filed on Feb. 9, 2012, now Pat. No. Des. 698,462.

(30) **Foreign Application Priority Data**

Aug. 9, 2011 (EM) 001902438

(51) **LOC (10) Cl.** **25-02**

(52) **U.S. Cl.**
USPC **D25/48.7**

(58) **Field of Classification Search**

USPC D25/48.7; 52/18, 200, 173.3
See application file for complete search history.

(56) **References Cited**

U.S. PATENT DOCUMENTS

D251,066 S * 2/1979 Hope et al. D25/48.7
5,596,843 A * 1/1997 Watson 52/71
6,105,317 A * 8/2000 Tomiuchi et al. 52/173.3
8,091,288 B2 * 1/2012 Van Dijk 52/18

* cited by examiner

Primary Examiner — Doris Clark

(74) *Attorney, Agent, or Firm* — Merek, Blackmon & Voorhees, LLC

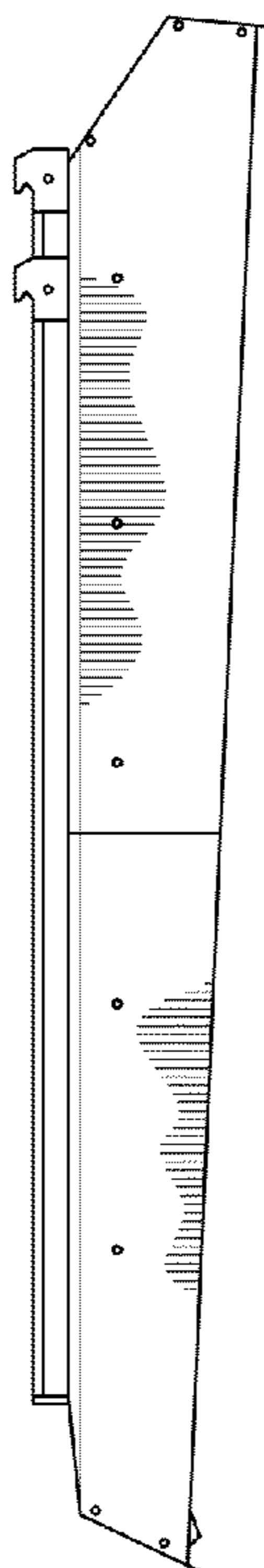
(57) **CLAIM**

We claim the ornamental design for a window, as shown and described.

DESCRIPTION

FIG. 1 is a top, left side and front perspective view of a window grouping showing our new design;
FIG. 2 is a top plan view thereof;
FIG. 3 is a bottom plan view thereof;
FIG. 4 is a front view thereof;
FIG. 5 is a rear view thereof;
FIG. 6 is a left side view thereof;
FIG. 7 is a right side view thereof;
FIG. 8 is a rear, bottom and right side fragmented view thereof; and,
FIG. 9 is a left, front and top perspective view of a second embodiment of a window showing our new design.
The second window of FIG. 9 is identical to the first window of FIG. 1 except for its size and the number of windows that it contains.

1 Claim, 7 Drawing Sheets



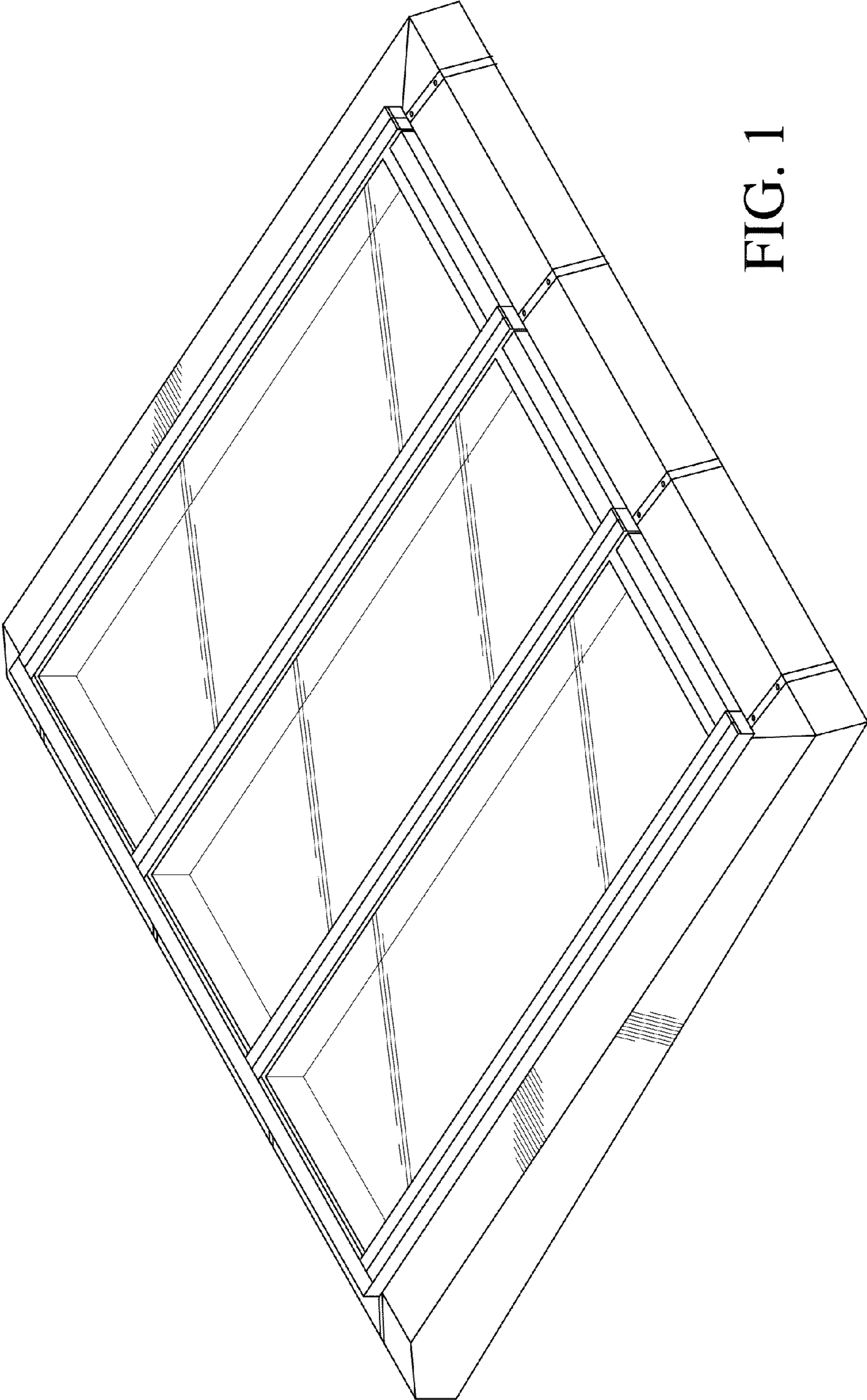


FIG. 1

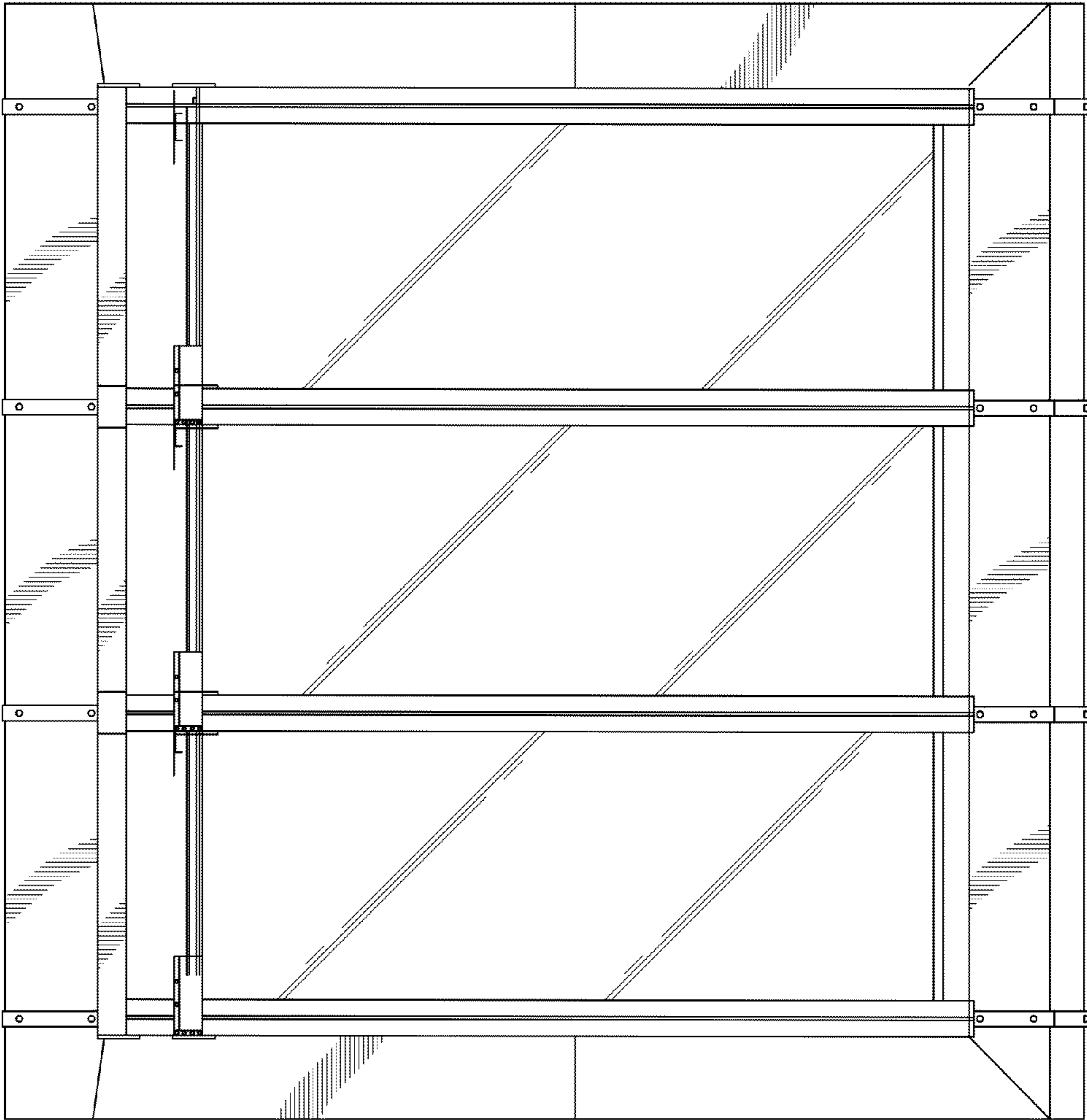


FIG. 2

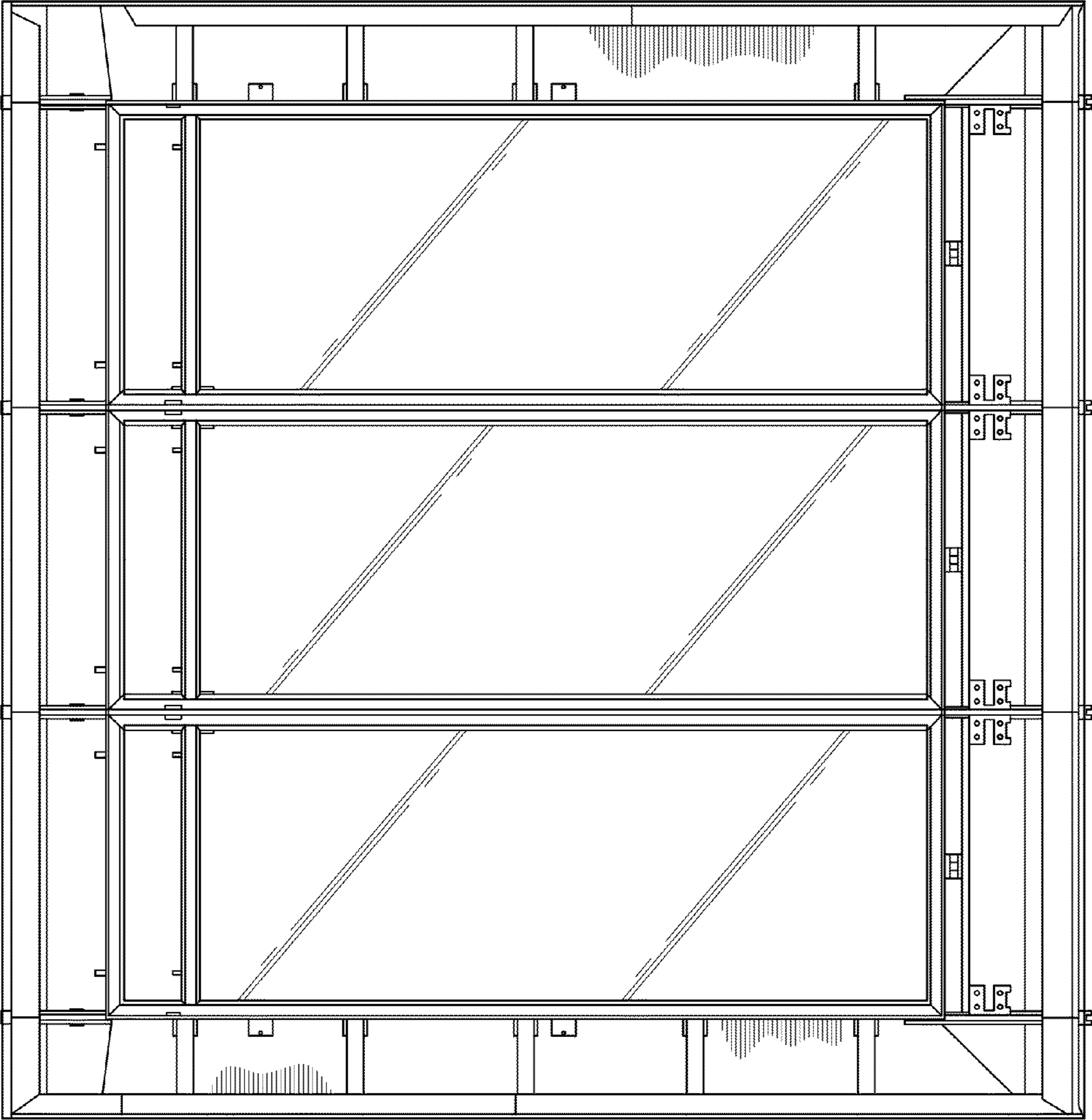


FIG. 3

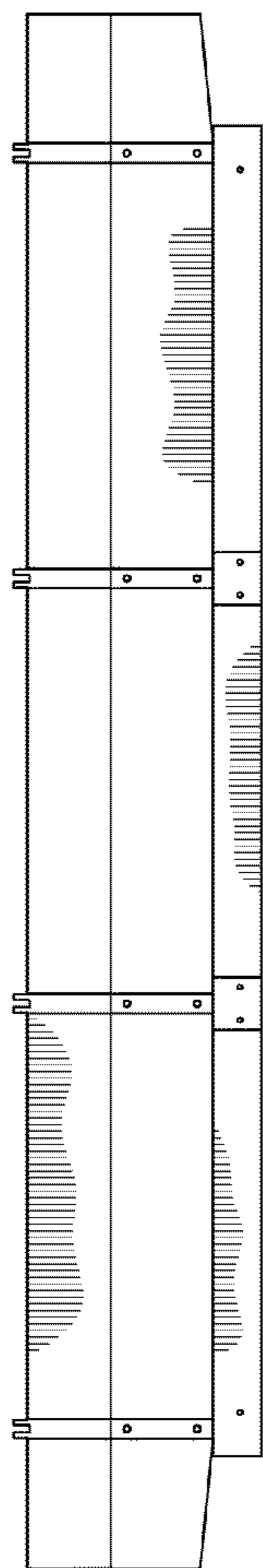


FIG. 4

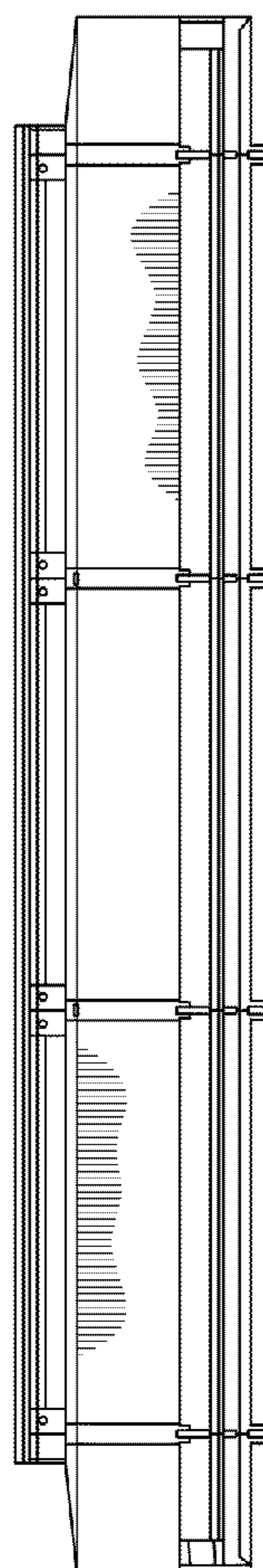


FIG. 5

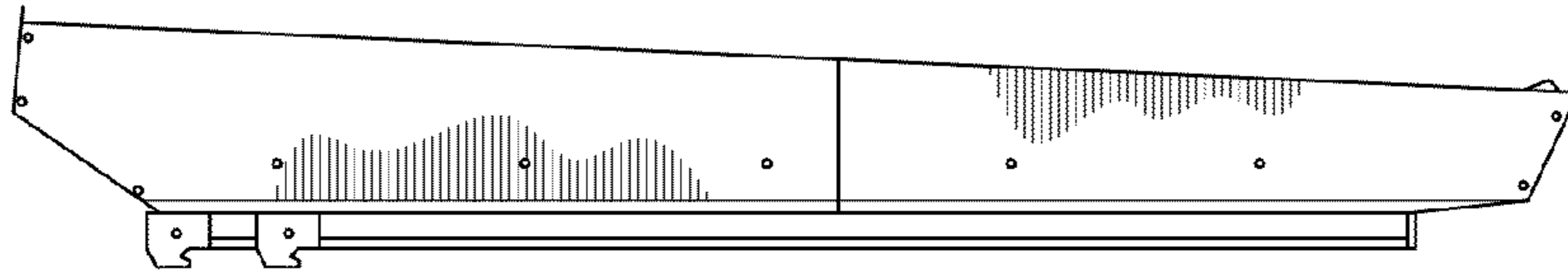


FIG. 7

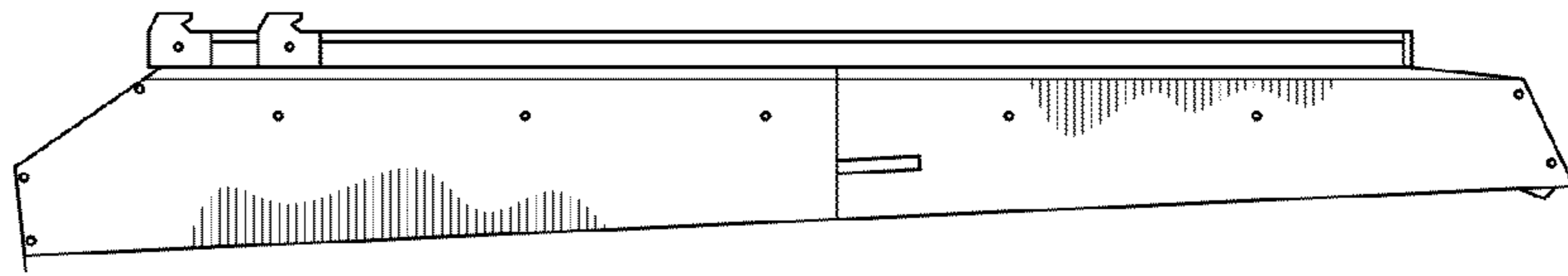


FIG. 6

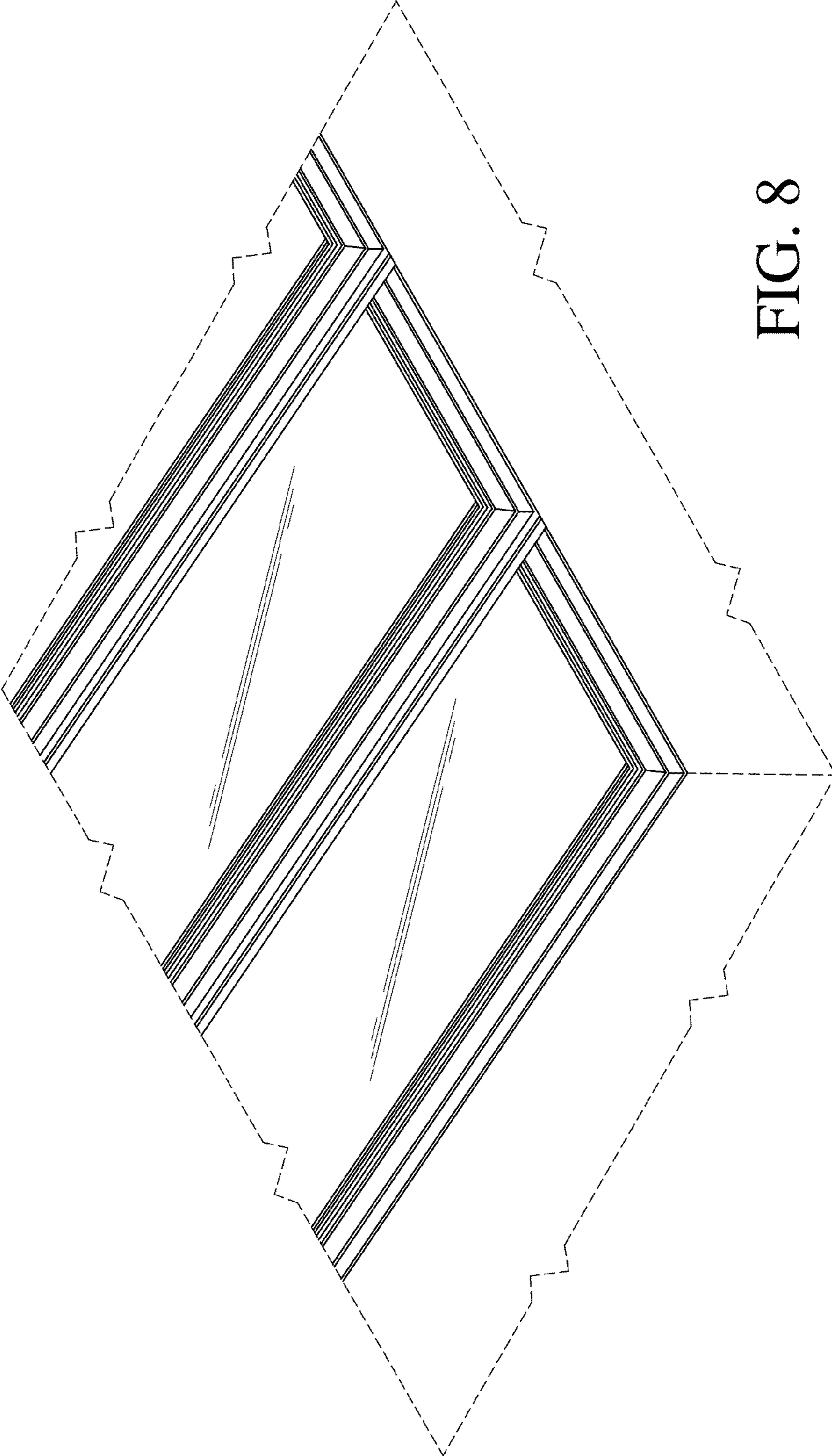


FIG. 8

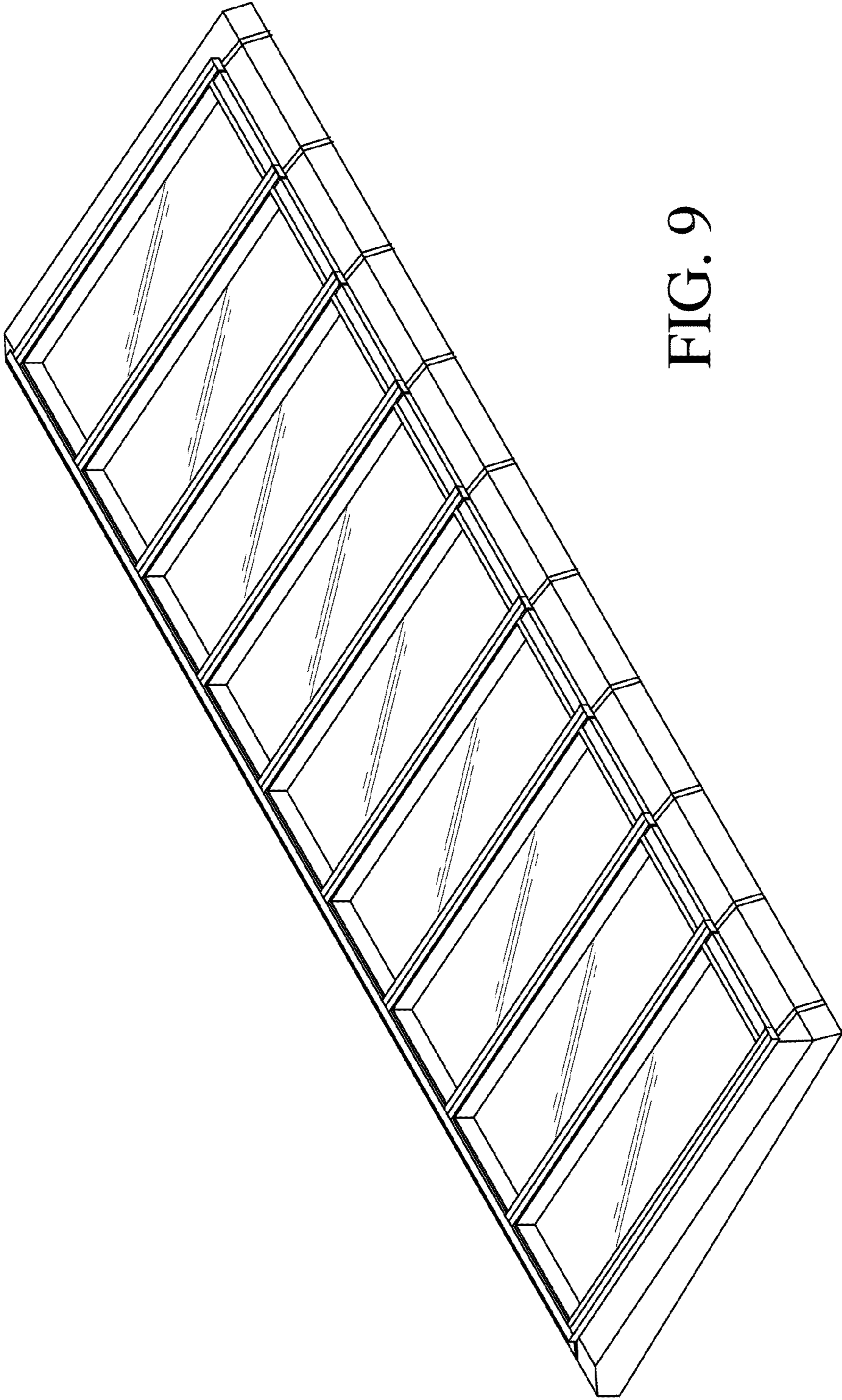


FIG. 9