



US00D706452S

(12) **United States Design Patent**
Laitta et al.

(10) **Patent No.:** **US D706,452 S**
(45) **Date of Patent:** **** Jun. 3, 2014**

(54) **STAIR RAIL**

(71) Applicant: **S. R. Smith, L.L.C.**, Canby, OR (US)

(72) Inventors: **Richard P Laitta**, Canby, OR (US);
Darrin Johnson, Portland, TN (US)

(73) Assignee: **S. R. Smith, LLC**, Canby, OR (US)

(**) Term: **14 Years**

(21) Appl. No.: **29/462,253**

(22) Filed: **Jul. 31, 2013**

(51) **LOC (10) Cl.** **25-02**

(52) **U.S. Cl.**
USPC **D25/41.1**

(58) **Field of Classification Search**
USPC D25/41.1; 256/59, 63, 64; 4/511, 506
See application file for complete search history.

(56) **References Cited**

U.S. PATENT DOCUMENTS

- 4,077,173 A * 3/1978 Rozanski 52/169.8
- 4,887,323 A * 12/1989 DiVito et al. 4/577.1
- 5,727,264 A * 3/1998 Craig et al. 4/489

- D409,311 S * 5/1999 Victor et al. D25/41.1
- 6,185,875 B1 * 2/2001 Victor et al. 52/9
- D608,018 S * 1/2010 Stimpson et al. D25/41.1
- 2001/0006231 A1 * 7/2001 McCracken 256/59

* cited by examiner

Primary Examiner — Doris Clark

(74) *Attorney, Agent, or Firm* — Stoel Rives LLP

(57) **CLAIM**

We claim the ornamental design for a stair rail, as shown and described.

DESCRIPTION

FIG. 1 is a perspective view of a stair rail.

FIG. 2 is a front elevation view of the stair rail of FIG. 1. The opposing rear elevation view is a mirror image of the illustrated view.

FIG. 3 is a top plan view of the stair rail of FIG. 1.

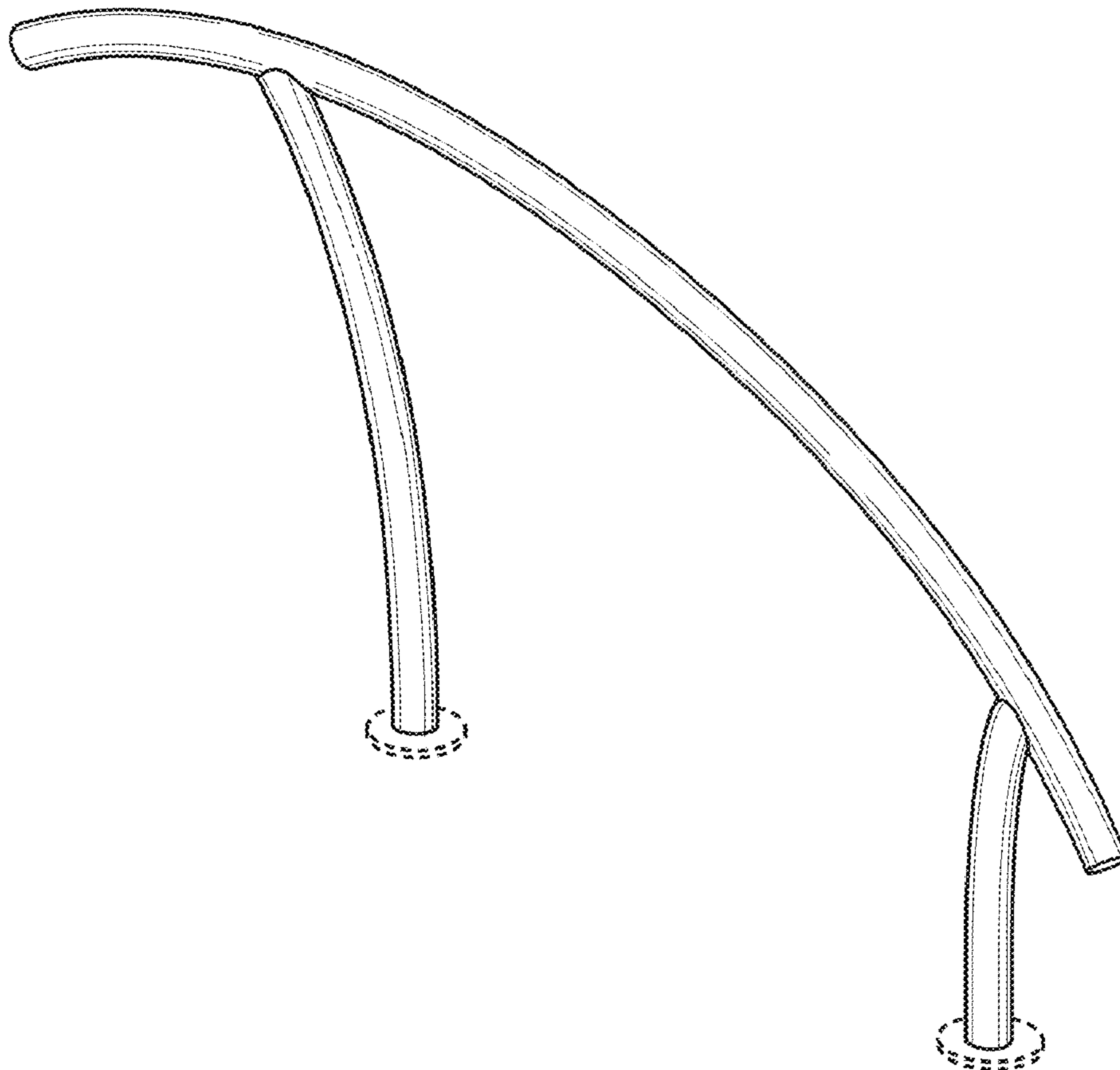
FIG. 4 is a bottom plan view of the stair rail of FIG. 1.

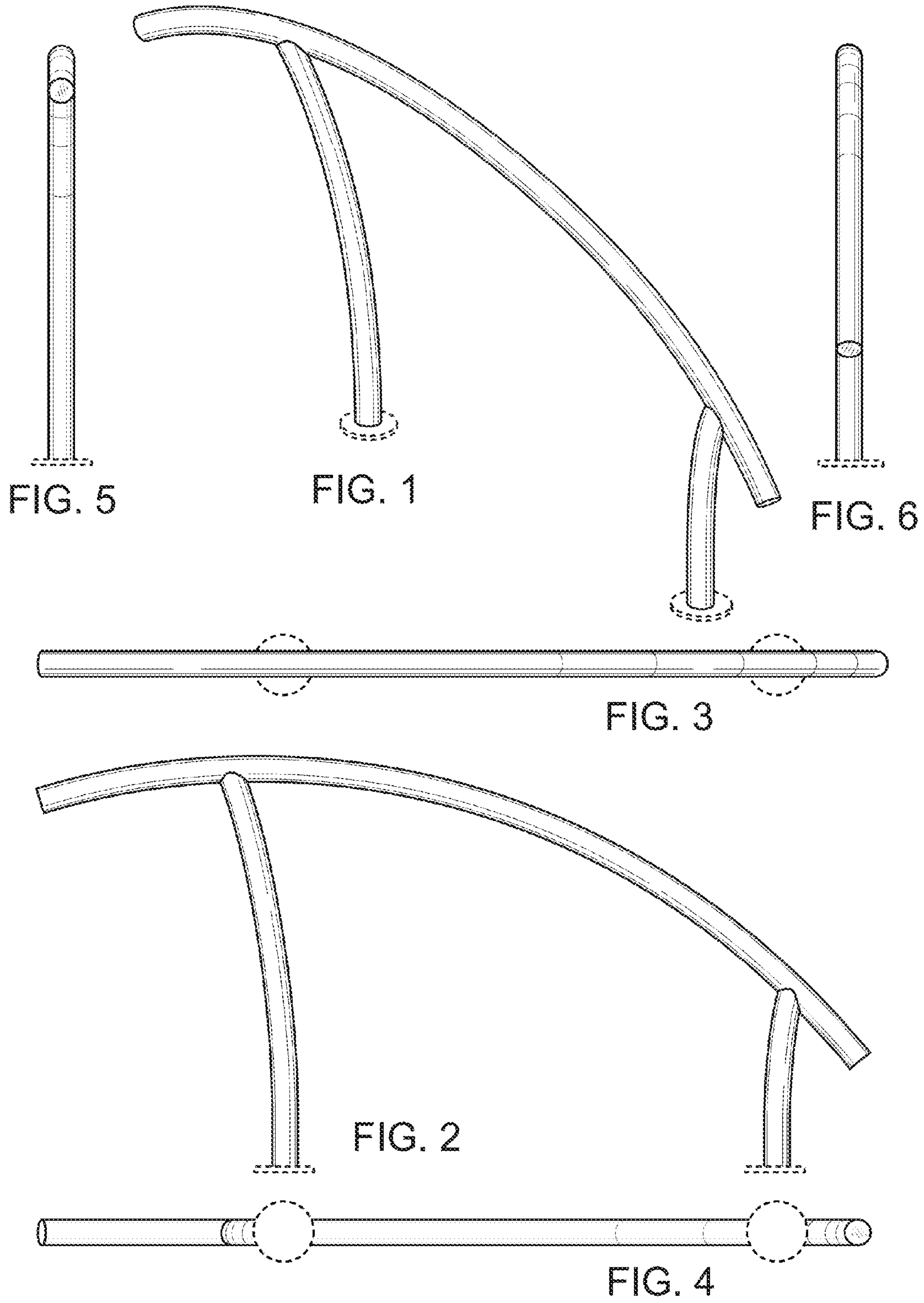
FIG. 5 is a left side elevation view of the stair rail of FIG. 1; and,

FIG. 6 is a right side elevation view of the stair rail of FIG. 1.

In FIGS. 1-6, the broken lines indicate environmental features and form no part of the claimed design.

1 Claim, 1 Drawing Sheet





UNITED STATES PATENT AND TRADEMARK OFFICE
CERTIFICATE OF CORRECTION

PATENT NO. : D706,452 S
APPLICATION NO. : 29/462253
DATED : June 3, 2014
INVENTOR(S) : Richard P. Laitta et al.

Page 1 of 1

It is certified that error appears in the above-identified patent and that said Letters Patent is hereby corrected as shown below:

On The Title Page, item (71), replace "S. R. Smith, L.L.C." with --S. R. Smith, LLC--

Signed and Sealed this
Nineteenth Day of May, 2015



Michelle K. Lee
Director of the United States Patent and Trademark Office