



US00D706451S

(12) **United States Design Patent**
Laitta et al.

(10) **Patent No.:** **US D706,451 S**
(45) **Date of Patent:** **** Jun. 3, 2014**

(54) **HANDRAIL**

(71) Applicant: **S.R. Smith, L.L.C.**, Canby, OR (US)
(72) Inventors: **Richard P Laitta**, Canby, OR (US);
Darrin Johnson, Portland, TN (US)
(73) Assignee: **S. R. Smith, LLC**, Canby, OR (US)
(**) Term: **14 Years**

(21) Appl. No.: **29/462,252**
(22) Filed: **Jul. 31, 2013**
(51) **LOC (10) Cl.** **25-02**
(52) **U.S. Cl.**
USPC **D25/41.1**
(58) **Field of Classification Search**
USPC D25/41.1; 256/59, 63, 64; 4/511, 506
See application file for complete search history.

(56) **References Cited**

U.S. PATENT DOCUMENTS

4,077,173	A *	3/1978	Rozanski	52/169.8
4,887,323	A *	12/1989	DiVito et al.	4/577.1
5,727,264	A *	3/1998	Craig et al.	4/489
D409,311	S *	5/1999	Victor et al.	D25/41.1
6,185,875	B1 *	2/2001	Victor et al.	52/9
D608,018	S *	1/2010	Stimpson et al.	D25/41.1
2001/0006231	A1 *	7/2001	McCracken	256/59

OTHER PUBLICATIONS

Pool Jewels, Rail Goods, pooljewels.com/railgoods.html, publicly available at least as of Jan. 17, 2013, last visited Aug. 7, 2013, 2 pages.
* cited by examiner

Primary Examiner — Doris Clark
(74) *Attorney, Agent, or Firm* — Stoel Rives LLP

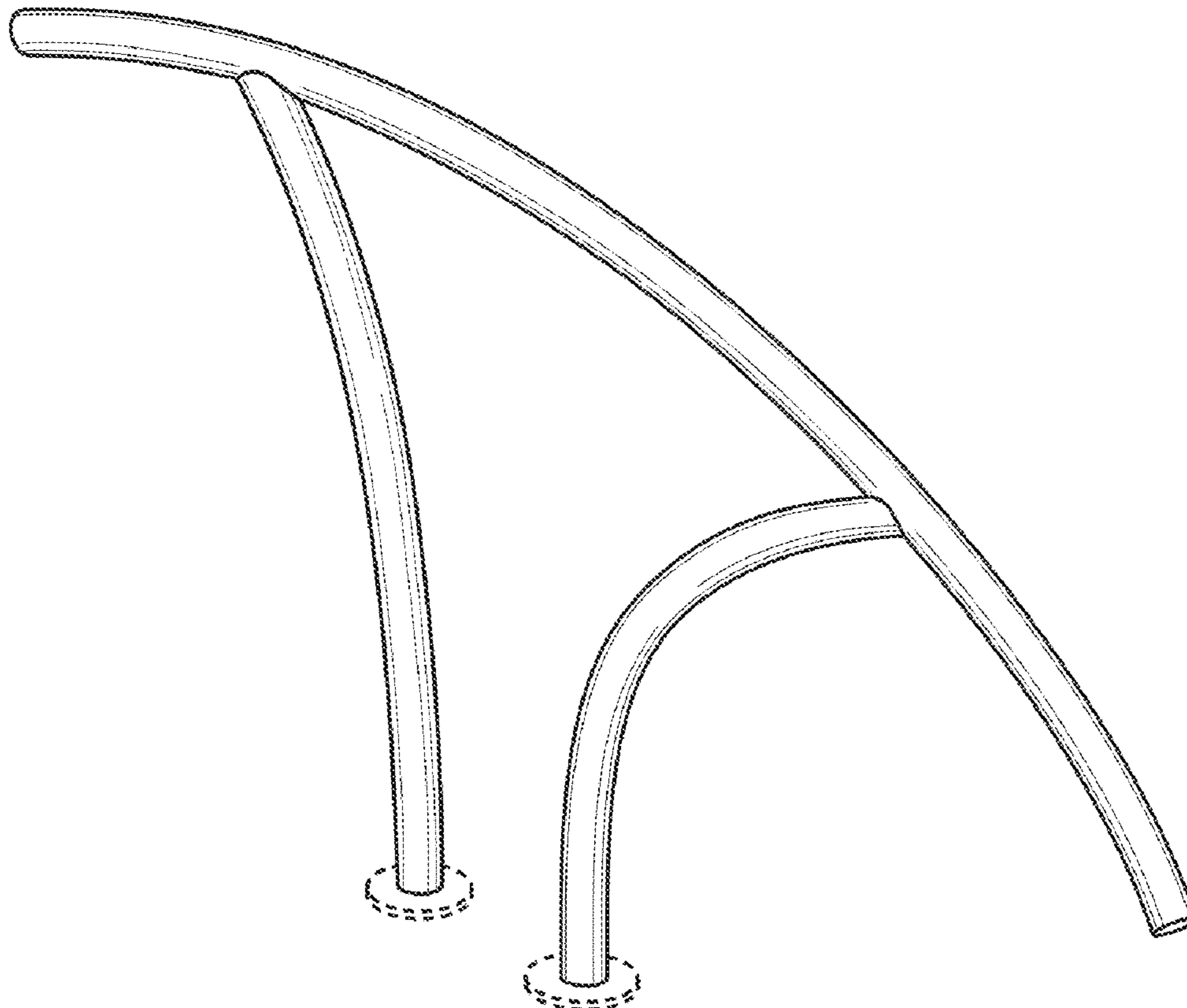
(57) **CLAIM**

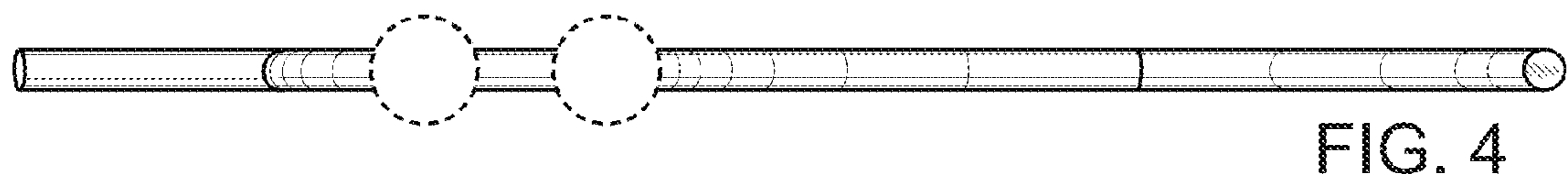
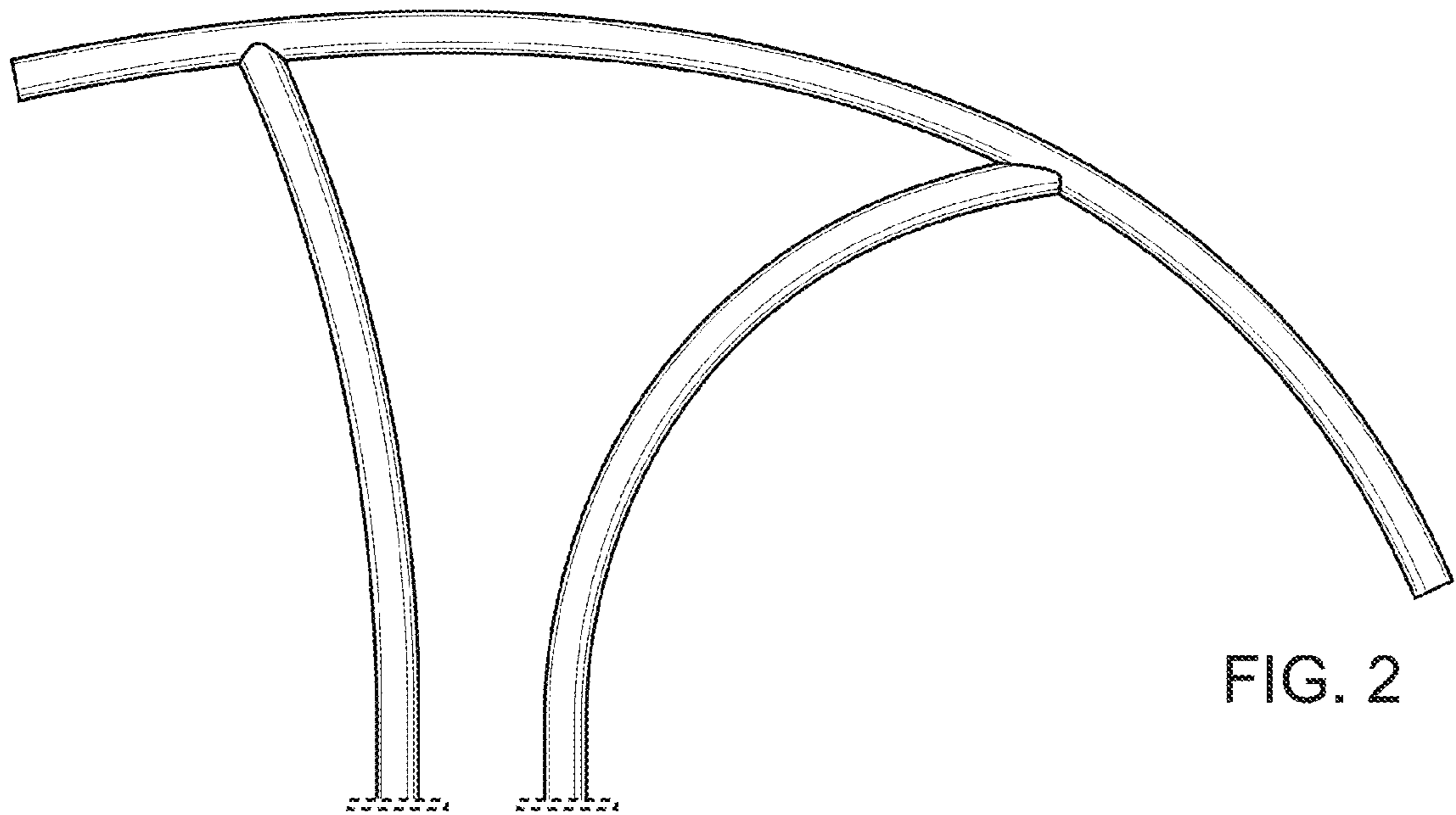
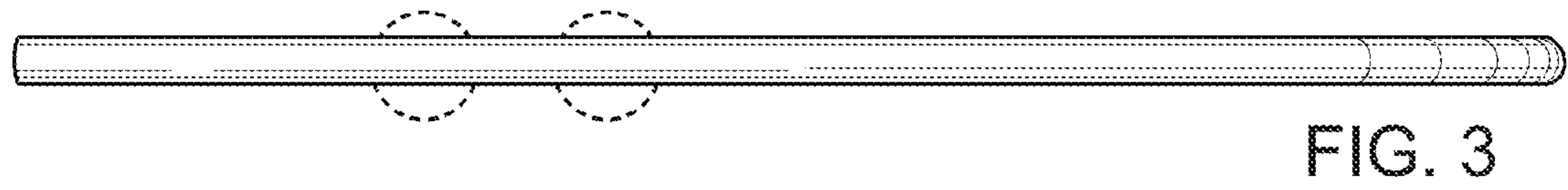
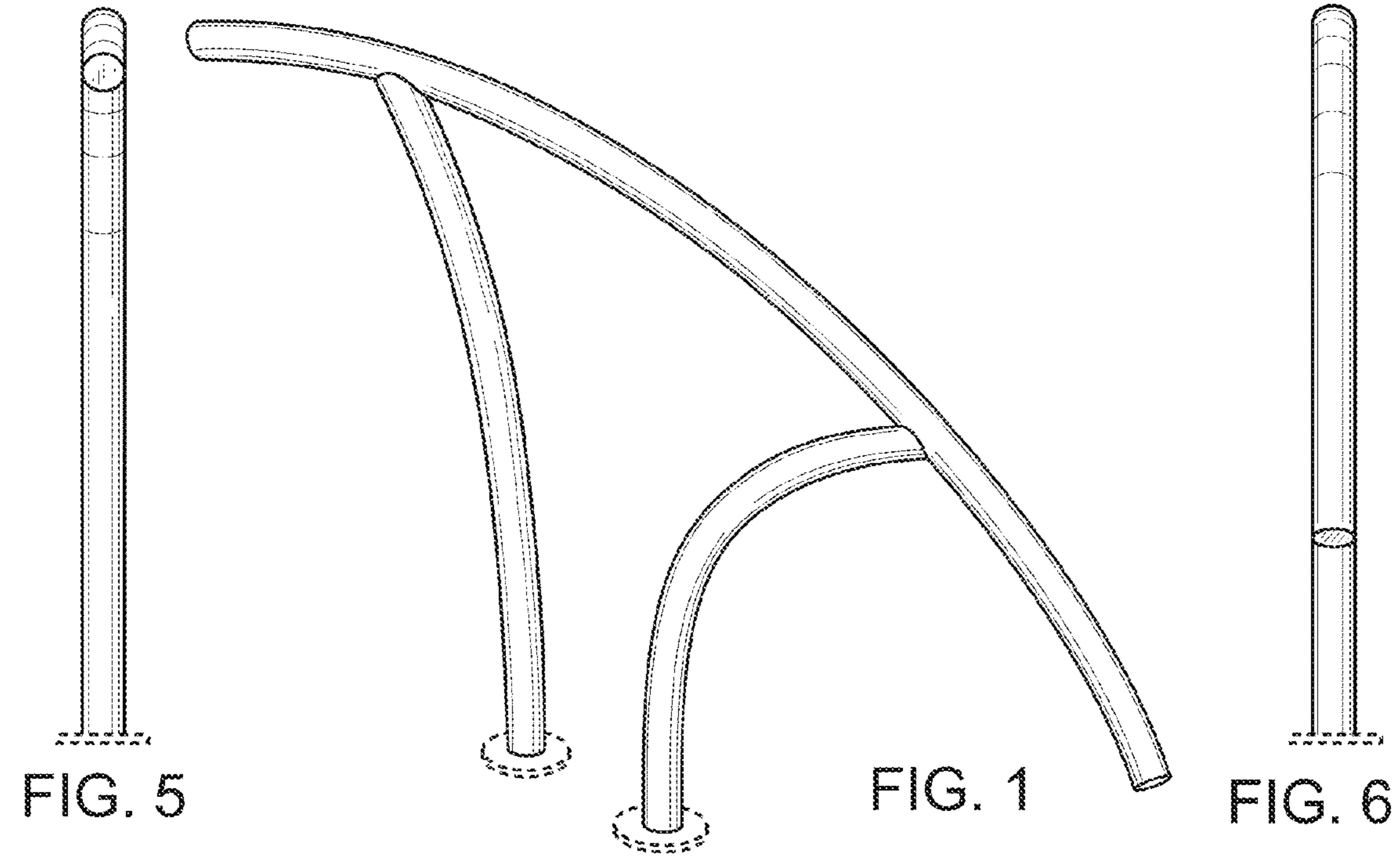
We claim the ornamental design for a handrail, as shown and described.

DESCRIPTION

FIG. 1 is a perspective view of a handrail.
FIG. 2 is a front elevation view of the handrail of FIG. 1. The opposing rear elevation view is a mirror image of the illustrated view.
FIG. 3 is a top plan view of the handrail of FIG. 1.
FIG. 4 is a bottom plan view of the handrail of FIG. 1.
FIG. 5 is a left side elevation view of the handrail of FIG. 1; and,
FIG. 6 is a right side elevation view of the handrail of FIG. 1.
In FIGS. 1-6, the broken lines indicate environmental features and form no part of the claimed design.

1 Claim, 1 Drawing Sheet





UNITED STATES PATENT AND TRADEMARK OFFICE
CERTIFICATE OF CORRECTION

PATENT NO. : D706,451 S
APPLICATION NO. : 29/462252
DATED : June 3, 2014
INVENTOR(S) : Richard P. Laitta and Darrin Johnson

Page 1 of 1

It is certified that error appears in the above-identified patent and that said Letters Patent is hereby corrected as shown below:

On the title page, item (71), replace "S. R. Smith, L.L.C." with --S. R. Smith, LLC--

Signed and Sealed this
Nineteenth Day of May, 2015



Michelle K. Lee
Director of the United States Patent and Trademark Office