



US00D706449S

(12) **United States Design Patent**
Laitta et al.

(10) **Patent No.:** **US D706,449 S**
(45) **Date of Patent:** **** Jun. 3, 2014**

(54) **HANDRAIL**

- (71) Applicant: **S. R. Smith, LLC**, Canby, OR (US)
- (72) Inventors: **Richard P. Laitta**, Lake Oswego, OR (US); **Darrin Johnson**, Portland, TN (US)
- (73) Assignee: **S. R. Smith, LLC**, Canby, OR (US)
- (**) Term: **14 Years**
- (21) Appl. No.: **29/443,447**
- (22) Filed: **Jan. 17, 2013**
- (51) **LOC (10) Cl.** **25-02**
- (52) **U.S. Cl.**
USPC **D25/41.1**
- (58) **Field of Classification Search**
USPC D25/41.1; 256/59, 63, 64; 4/511, 506
See application file for complete search history.

(56) **References Cited**

U.S. PATENT DOCUMENTS

4,077,173	A *	3/1978	Rozanski	52/169.8
4,887,323	A *	12/1989	DiVito et al.	4/577.1
5,727,264	A *	3/1998	Craig et al.	4/489
D409,311	S *	5/1999	Victor et al.	D25/41.1
6,185,875	B1 *	2/2001	Victor et al.	52/9
D608,018	S *	1/2010	Stimpson et al.	D25/41.1
2001/0006231	A1 *	7/2001	McCracken	256/59

OTHER PUBLICATIONS

Pool Jewels, Rail Goods, pooljewels.com/railgoods.html, publicly available at least as of Jan. 17, 2013, visited Jan. 24, 2013, 2 pages.

* cited by examiner

Primary Examiner — Doris Clark

(74) *Attorney, Agent, or Firm* — Stoel Rives LLP

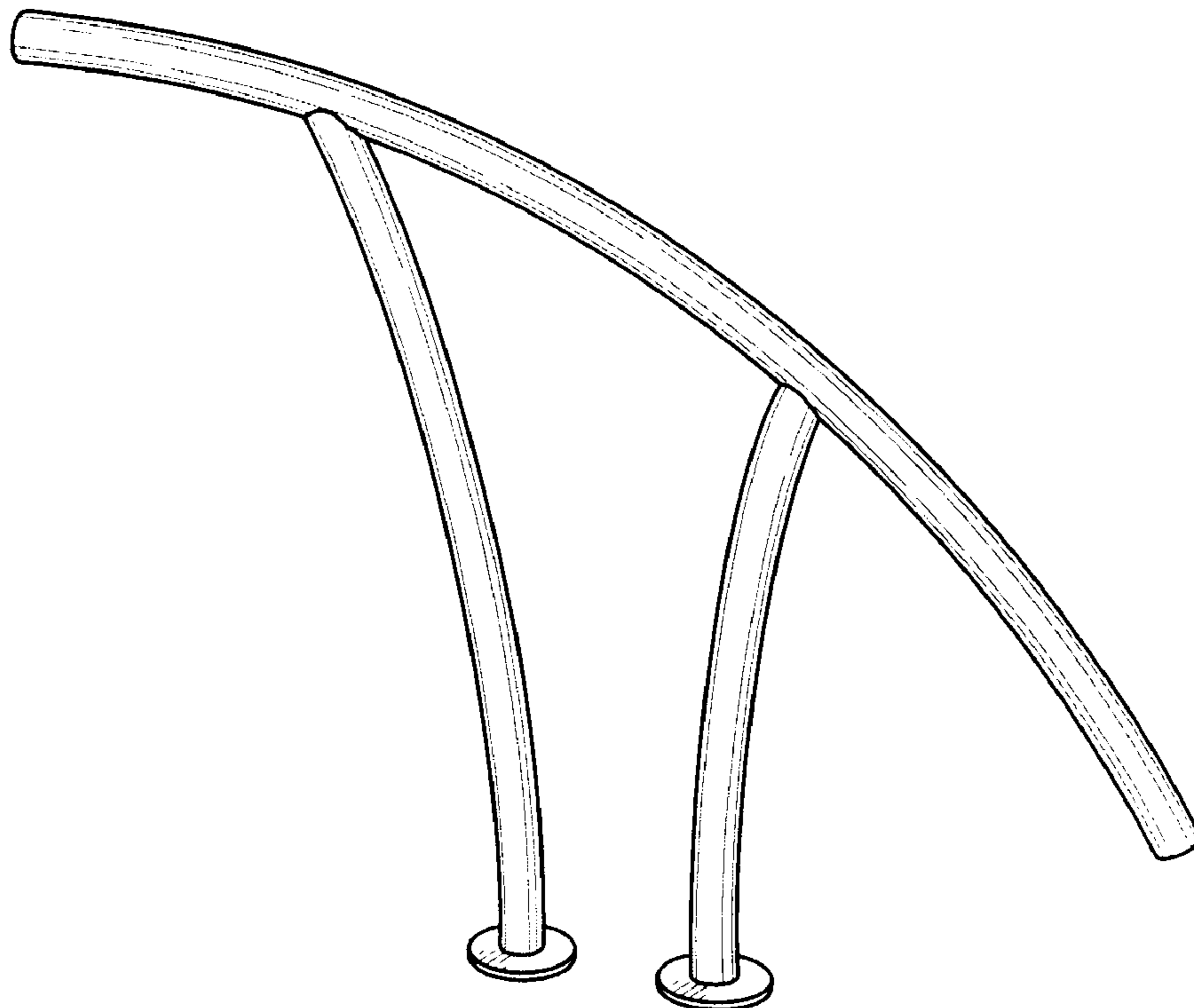
(57) **CLAIM**

We claim the ornamental design for a handrail, as shown and described.

DESCRIPTION

FIG. 1 is a perspective view of a handrail.
 FIG. 2 is a front elevation view of the handrail of FIG. 1. The opposing rear elevation view is a mirror image of the illustrated view.
 FIG. 3 is a top plan view of the handrail of FIG. 1.
 FIG. 4 is a bottom plan view of the handrail of FIG. 1.
 FIG. 5 is a left side elevation view of the handrail of FIG. 1; and,
 FIG. 6 is a right side elevation view of the handrail of FIG. 1.
 In FIG. 4, the portion of the bottom view bounded by the broken lines is for illustrative purposes only and forms no part of the claimed design.

1 Claim, 1 Drawing Sheet



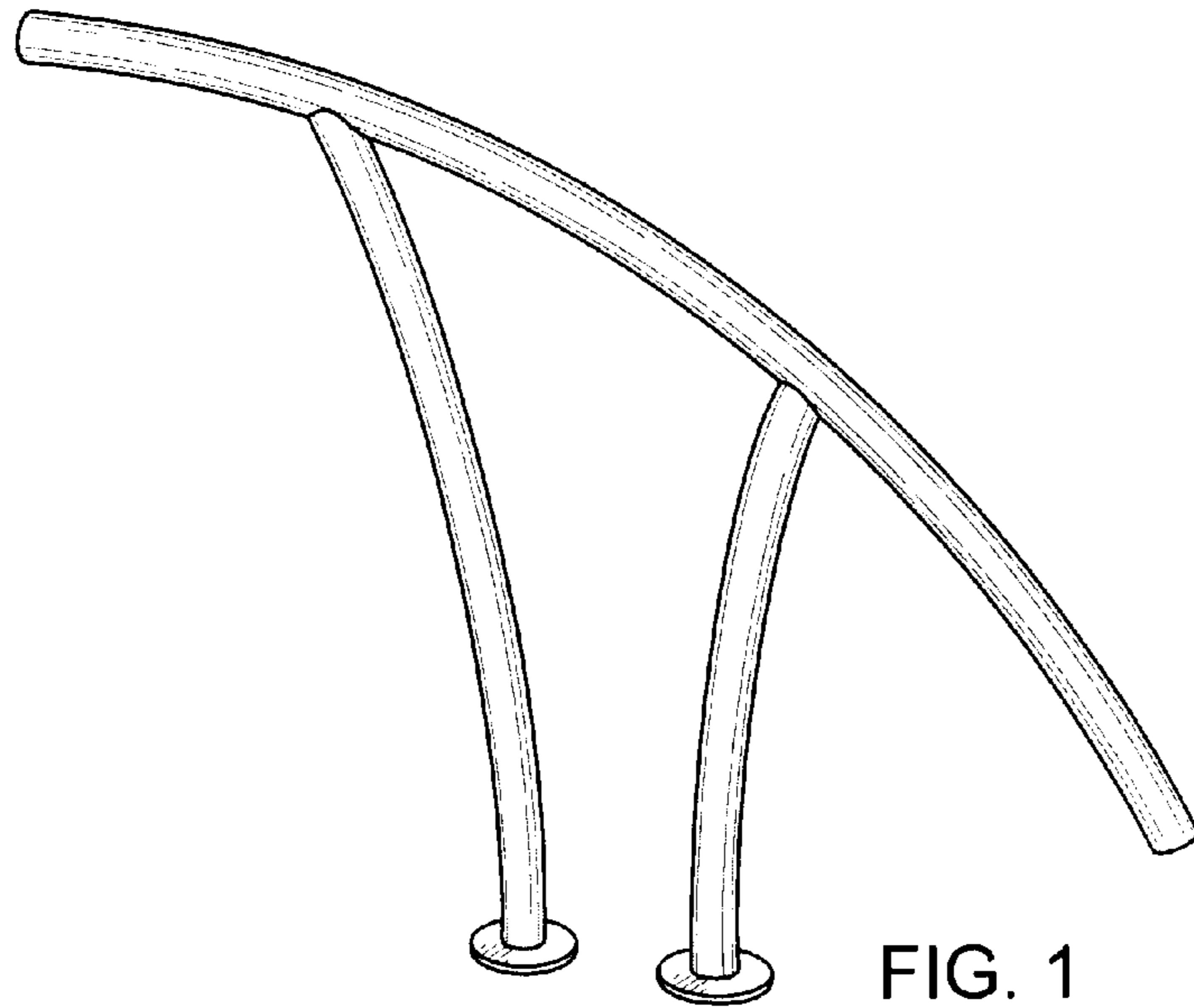


FIG. 1

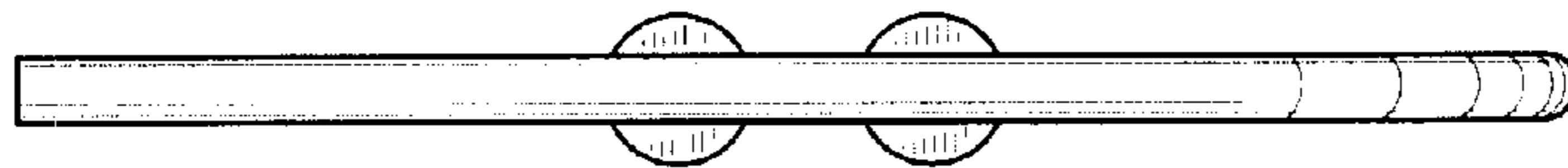


FIG. 3

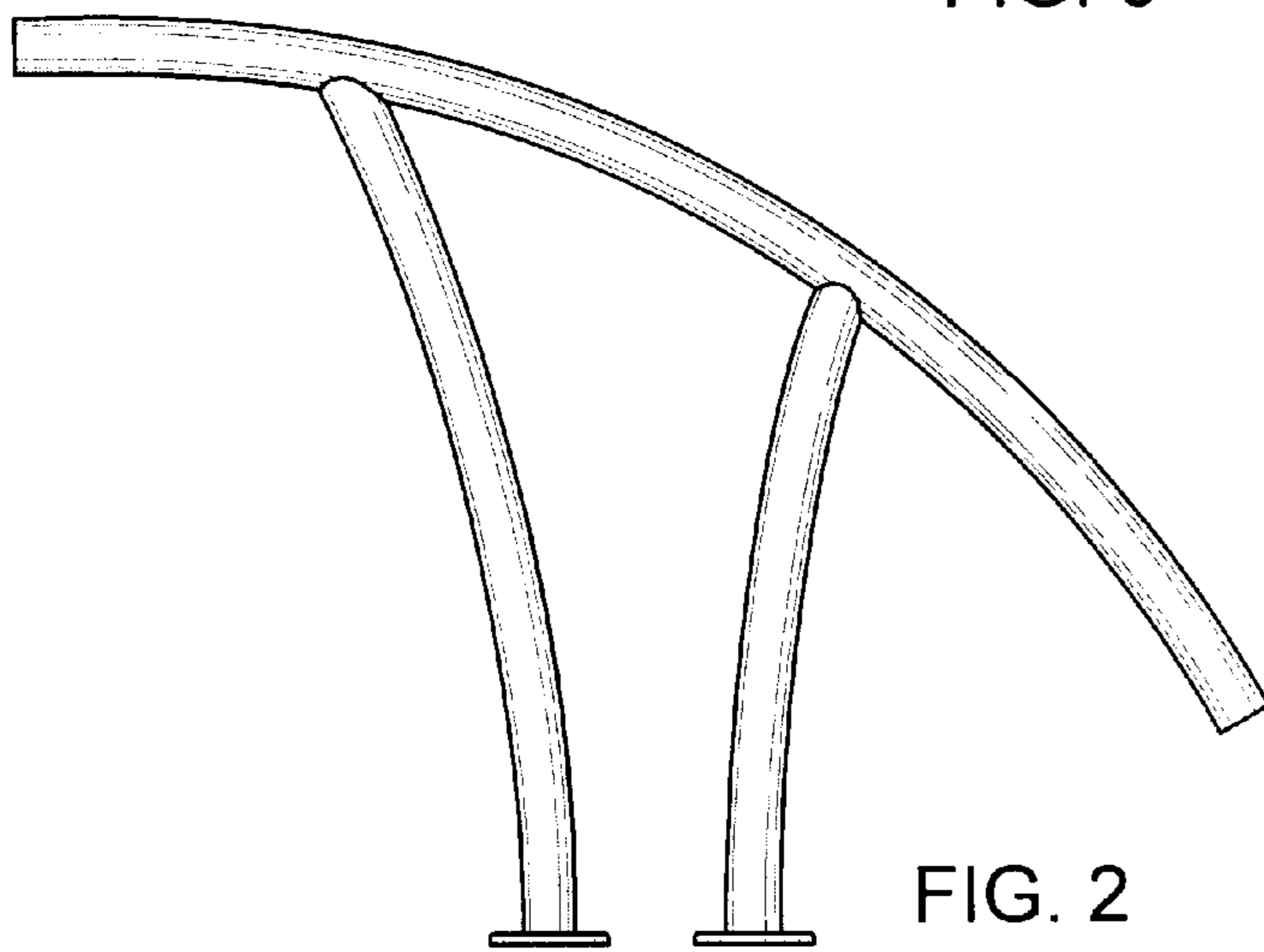


FIG. 2

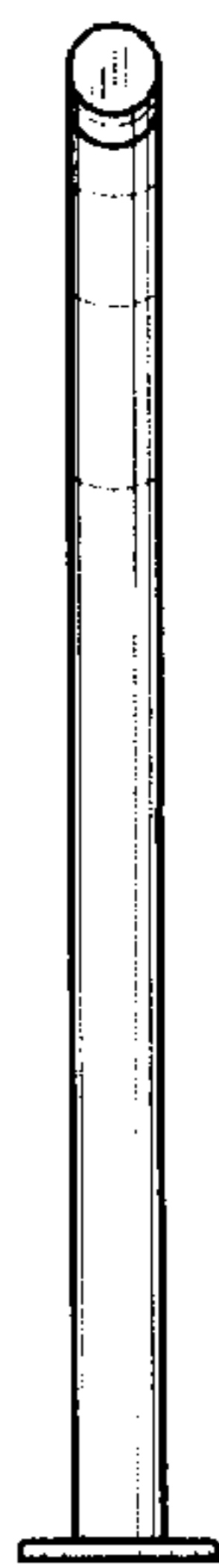


FIG. 5

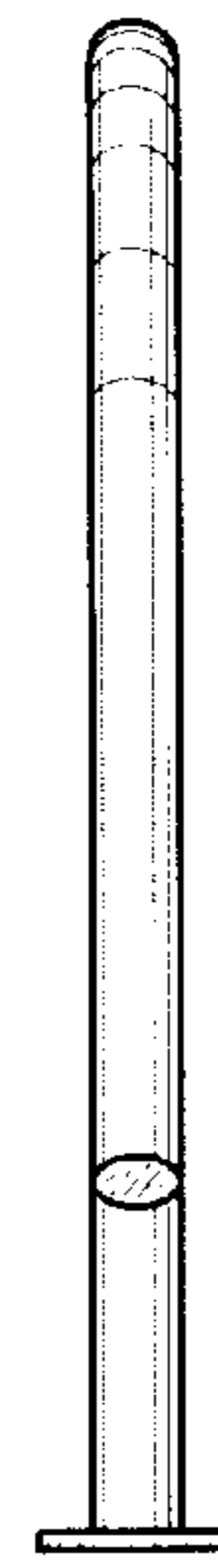


FIG. 6

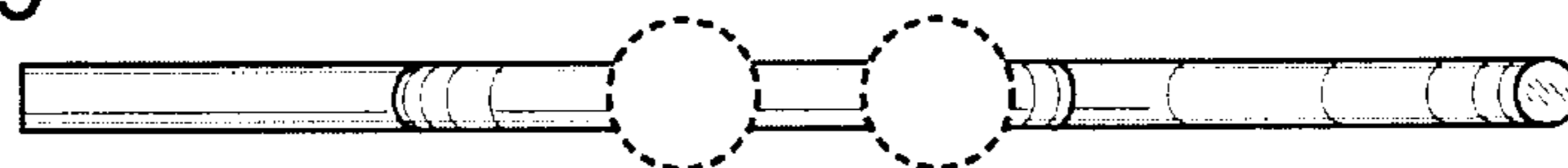


FIG. 4