



US00D706447S

(12) **United States Design Patent**  
**Brossette et al.**

(10) **Patent No.:** **US D706,447 S**  
(45) **Date of Patent:** **\*\* Jun. 3, 2014**

(54) **TRAY SET FOR SUPPORTING A  
MARKER-BASED TARGET FOR  
IDENTIFYING SOLID MEDICINES**

(71) Applicant: **MedSnap, LLC**, Birmingham, AL (US)

(72) Inventors: **Stephen E. Brossette**, Vestavia Hills, AL (US); **Patrick A. Hymel, Jr.**, Mountain Brook, AL (US); **Abel Martinez, III**, Birmingham, AL (US)

(73) Assignee: **MedSnap, LLC**, Birmingham, AL (US)

(\*\*) Term: **14 Years**

(21) Appl. No.: **29/436,262**

(22) Filed: **Nov. 2, 2012**

(51) **LOC (10) Cl.** ..... **27-01**

(52) **U.S. Cl.**  
USPC ..... **D24/227**

(58) **Field of Classification Search**  
USPC ..... D24/108, 127–130, 216, 224–225,  
D24/227–232; 206/446, 443; 211/74, 70.1,  
211/72; 220/519; 356/246, 244; 422/102,  
422/104, 63–64, 250, 266, 297, 300, 476,  
422/99

See application file for complete search history.

(56) **References Cited**

**U.S. PATENT DOCUMENTS**

D403,432 S	*	12/1998	Geysen et al. ....	D24/225
D438,311 S	*	2/2001	Yamanishi et al. ....	D24/216
D454,202 S	*	3/2002	Pham et al. ....	D24/227
D461,906 S	*	8/2002	Pham ....	D24/225
D467,348 S	*	12/2002	McMichael et al. ....	D24/229
D468,437 S	*	1/2003	McMenamy et al. ....	D24/216
D473,318 S	*	4/2003	Barbera-Guillem ....	D24/216

(Continued)

*Primary Examiner* — T. Chase Nelson  
*Assistant Examiner* — Mark Cavanna

(74) *Attorney, Agent, or Firm* — C. Brandon Browning; Maynard, Cooper & Gale, PC

(57) **CLAIM**

The ornamental design for a tray set for supporting a marker-based target for identifying solid medicines, as shown and described.

**DESCRIPTION**

FIG. 1 is a perspective view of a tray set for supporting a marker-based target for identifying solid medicines showing my new design in a closed configuration.

FIG. 2 is a bottom plan view of the tray set for supporting a marker-based target for identifying solid medicines of FIG. 1. FIG. 3 is a top plan view of the tray set for supporting a marker-based target for identifying solid medicines of FIG. 1. FIG. 4 is an elevational view of a side of the tray set for supporting a marker-based target for identifying solid medicines of FIG. 1.

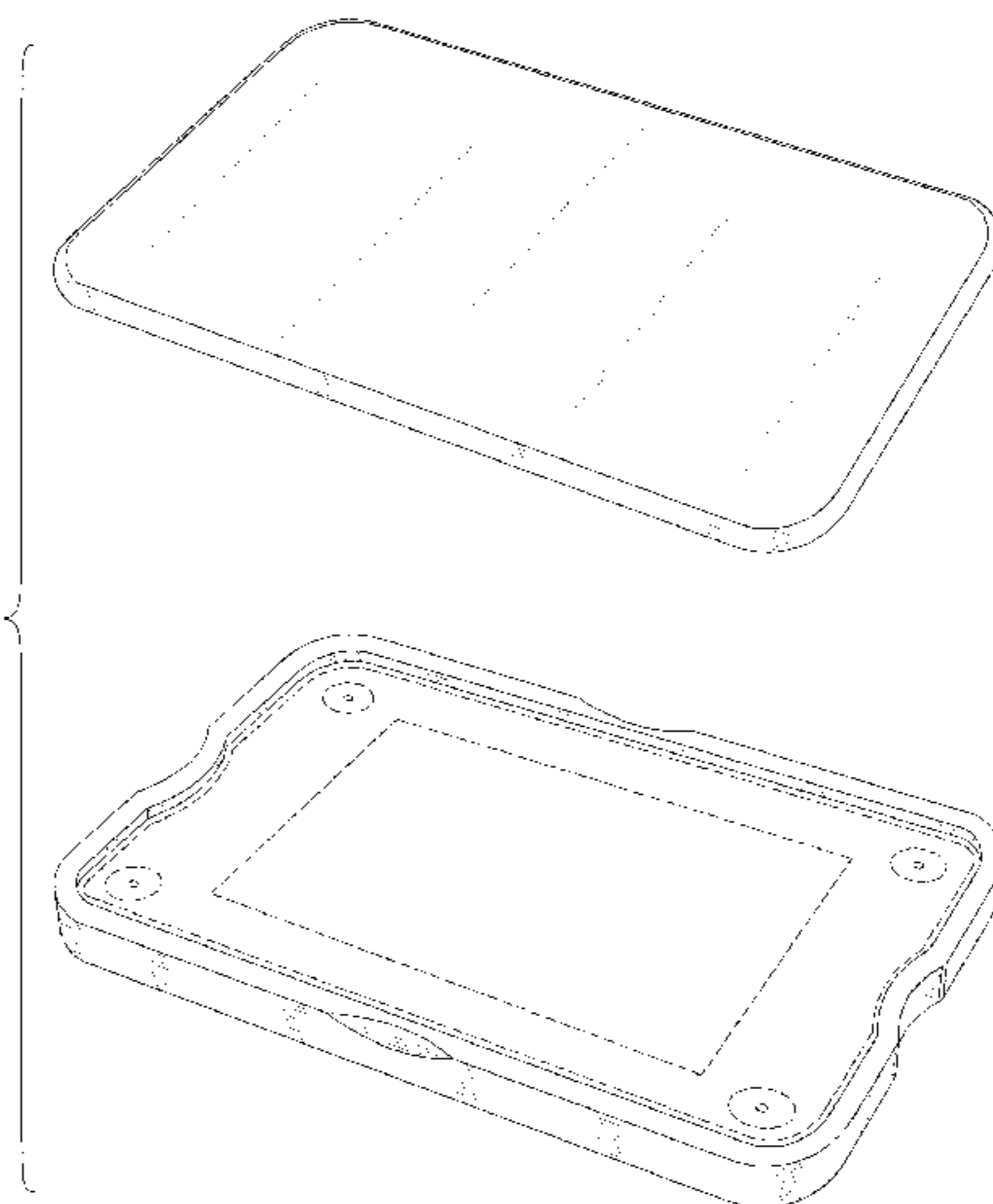
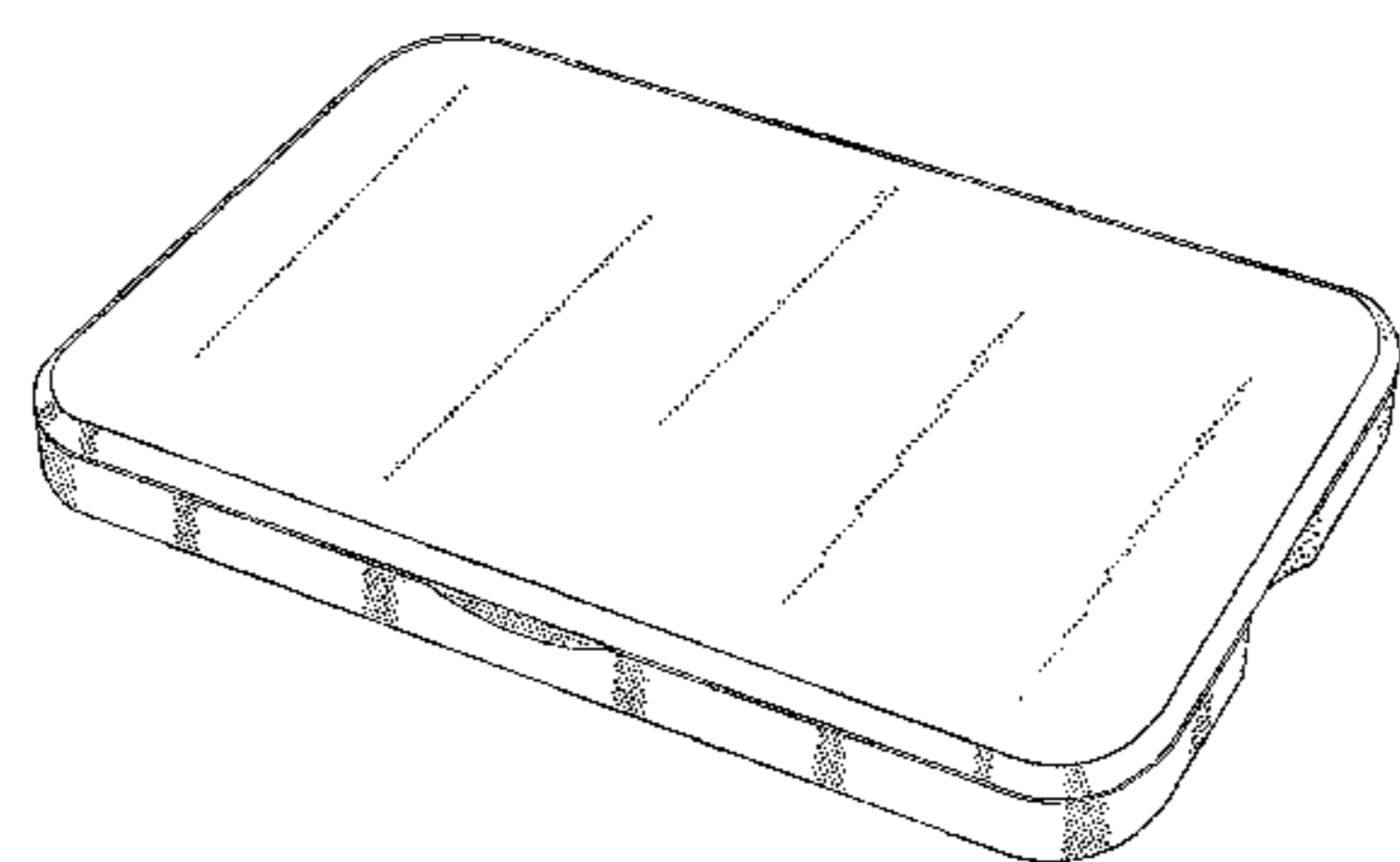
FIG. 5 is an elevational view of an end of the tray set for supporting a marker-based target for identifying solid medicines of FIG. 1.

FIG. 6 is an exploded perspective view showing the cover and tray separately of the tray set for supporting a marker-based target for identifying solid medicines of FIG. 1. The broken lines of FIG. 6 show a marker-based target and certain features of the marked-based target and form no part of the claimed design.

FIG. 7 is a top plan view of the inner area of a tray portion of the tray set for supporting a marker-based target for identifying solid medicines of FIG. 6. The broken lines of FIG. 7 show a marker-based target and certain features of the marked-based target and form no part of the claimed design; and, FIG. 8 is a plan view of the inner portion of a tray cover of the tray set for supporting a marker-based target for identifying solid medicines of FIG. 6.

The broken lines are included for the purpose of illustrating portions of the tray set for supporting a marker-based target for identifying solid medicines that form no part of the claimed design.

**1 Claim, 5 Drawing Sheets**



(56)

**References Cited**

U.S. PATENT DOCUMENTS

D480,814 S \* 10/2003 Lafferty et al. .... D24/216  
D480,815 S \* 10/2003 Ewing et al. .... D24/216  
D495,805 S \* 9/2004 Lea et al. .... D24/216  
D500,142 S \* 12/2004 Crisanti et al. .... D24/224  
D501,678 S \* 2/2005 Oberhardt .... D24/225

D528,215 S \* 9/2006 Malsater ..... D24/232  
D530,826 S \* 10/2006 Rich et al. .... D24/225  
D531,321 S \* 10/2006 Godfrey et al. .... D24/225  
D548,357 S \* 8/2007 Barbera-Guillem ..... D24/216  
D559,995 S \* 1/2008 Handique et al. .... D24/232  
D632,403 S \* 2/2011 Griffiths ..... D24/227  
D669,191 S \* 10/2012 Handique ..... D24/225  
D686,311 S \* 7/2013 Mori ..... D24/216

\* cited by examiner

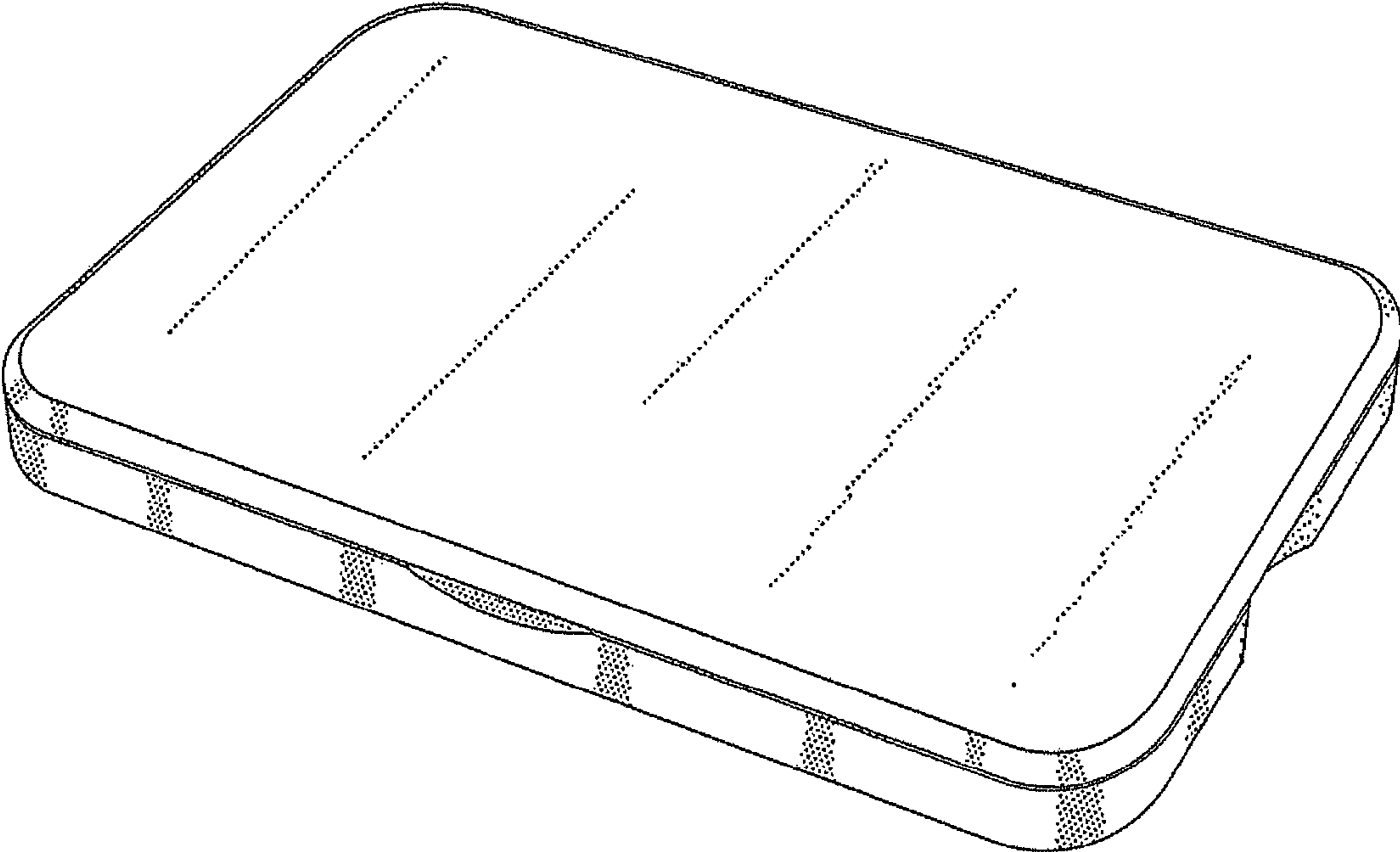


FIG. 1

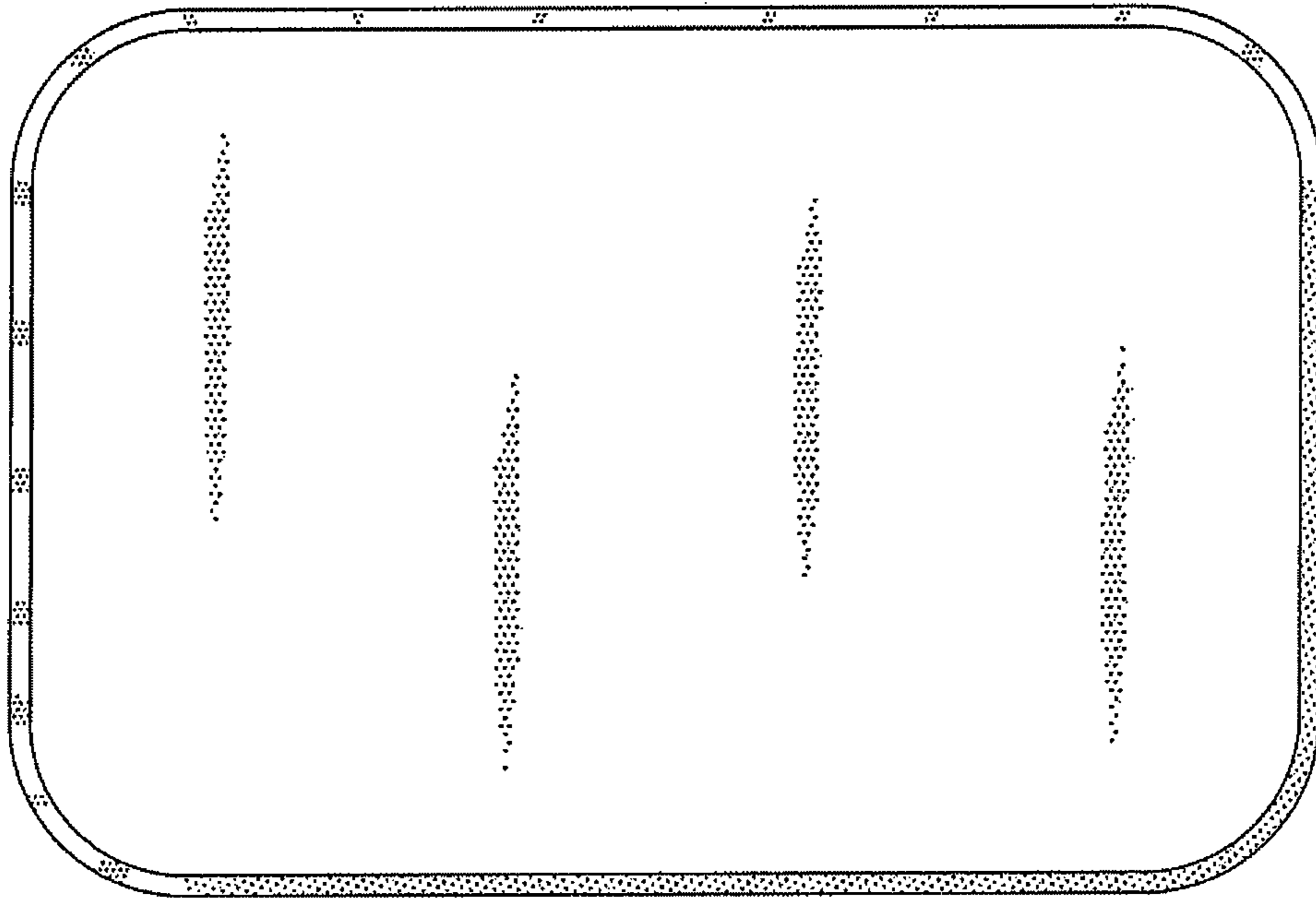


FIG. 2

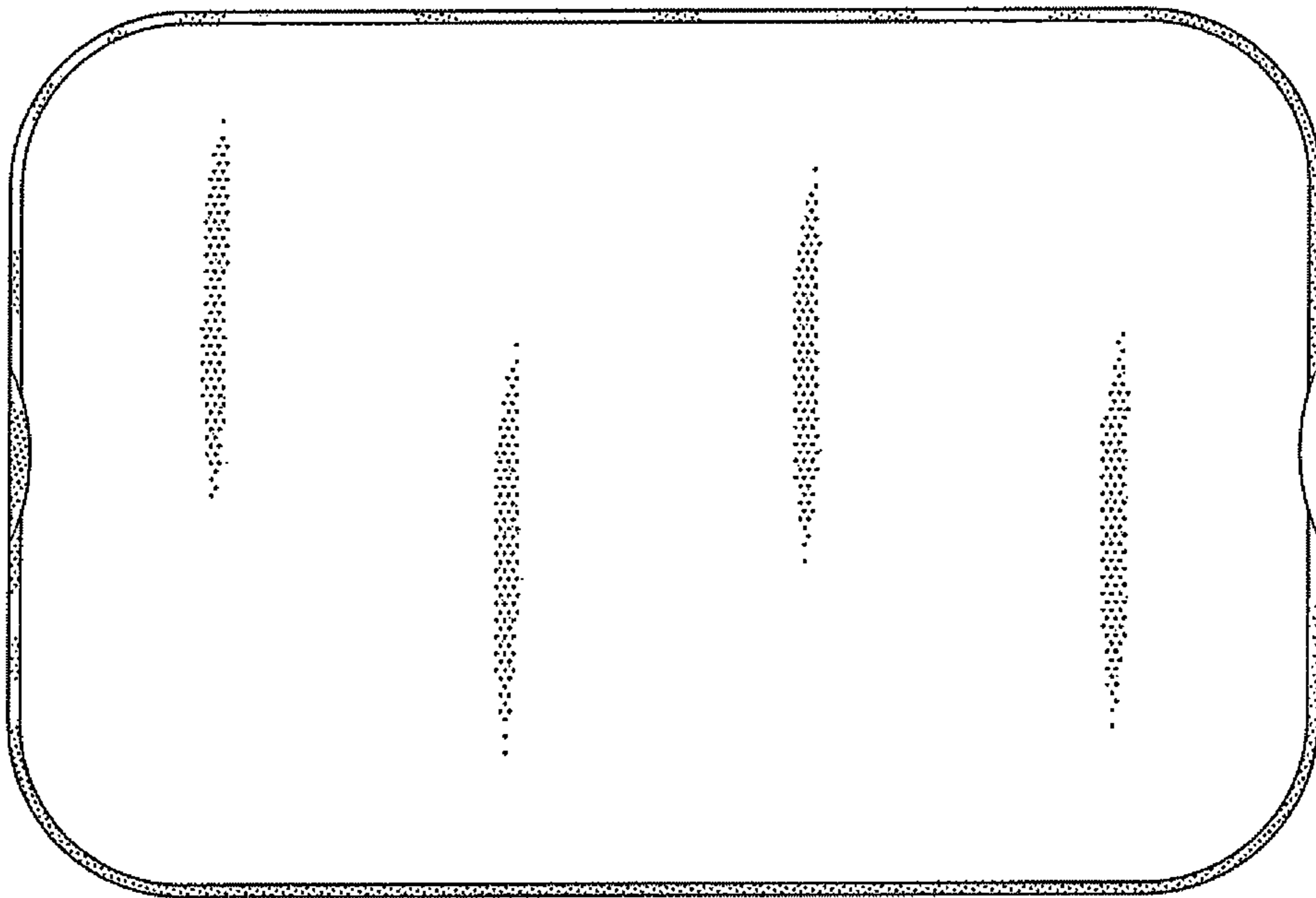


FIG. 3

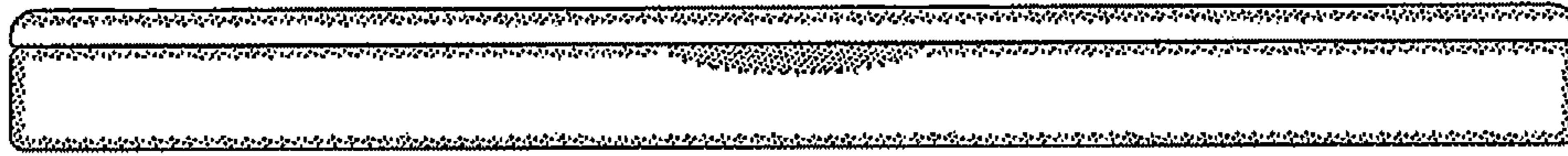


FIG. 4

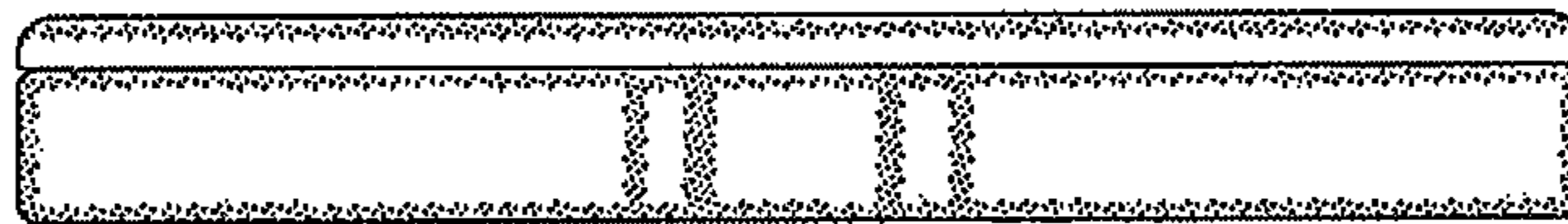


FIG. 5

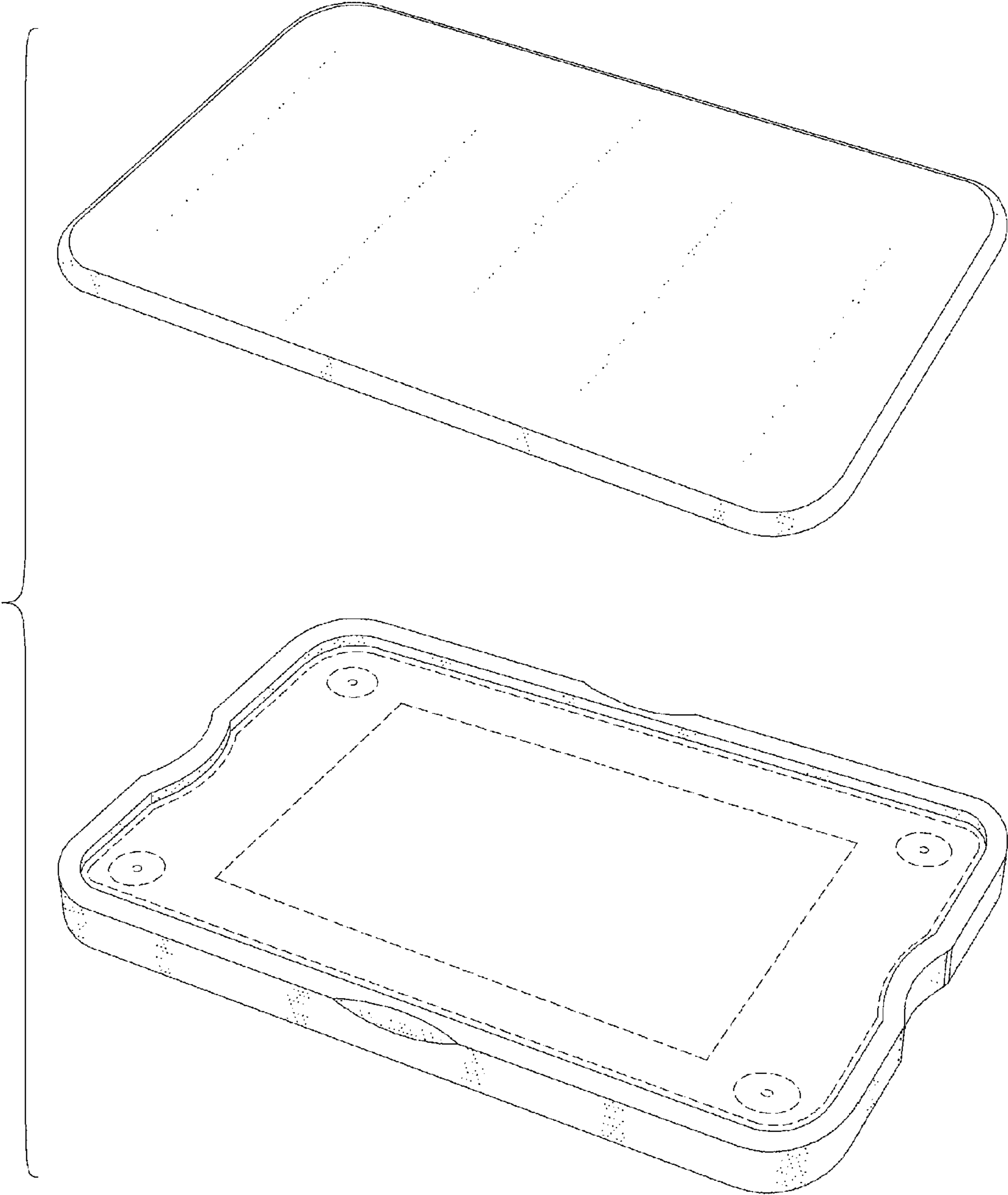


FIG. 6

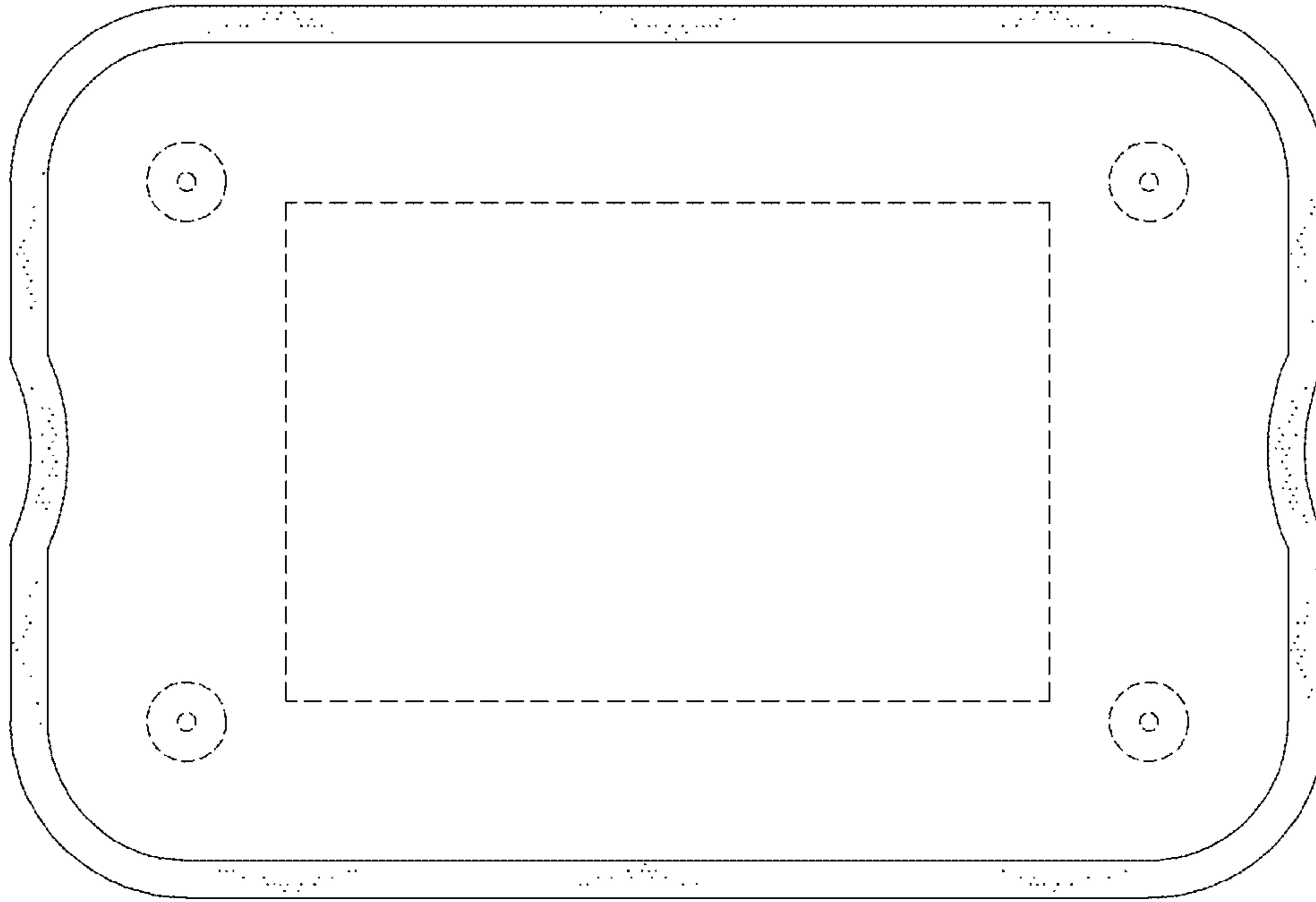


FIG. 7

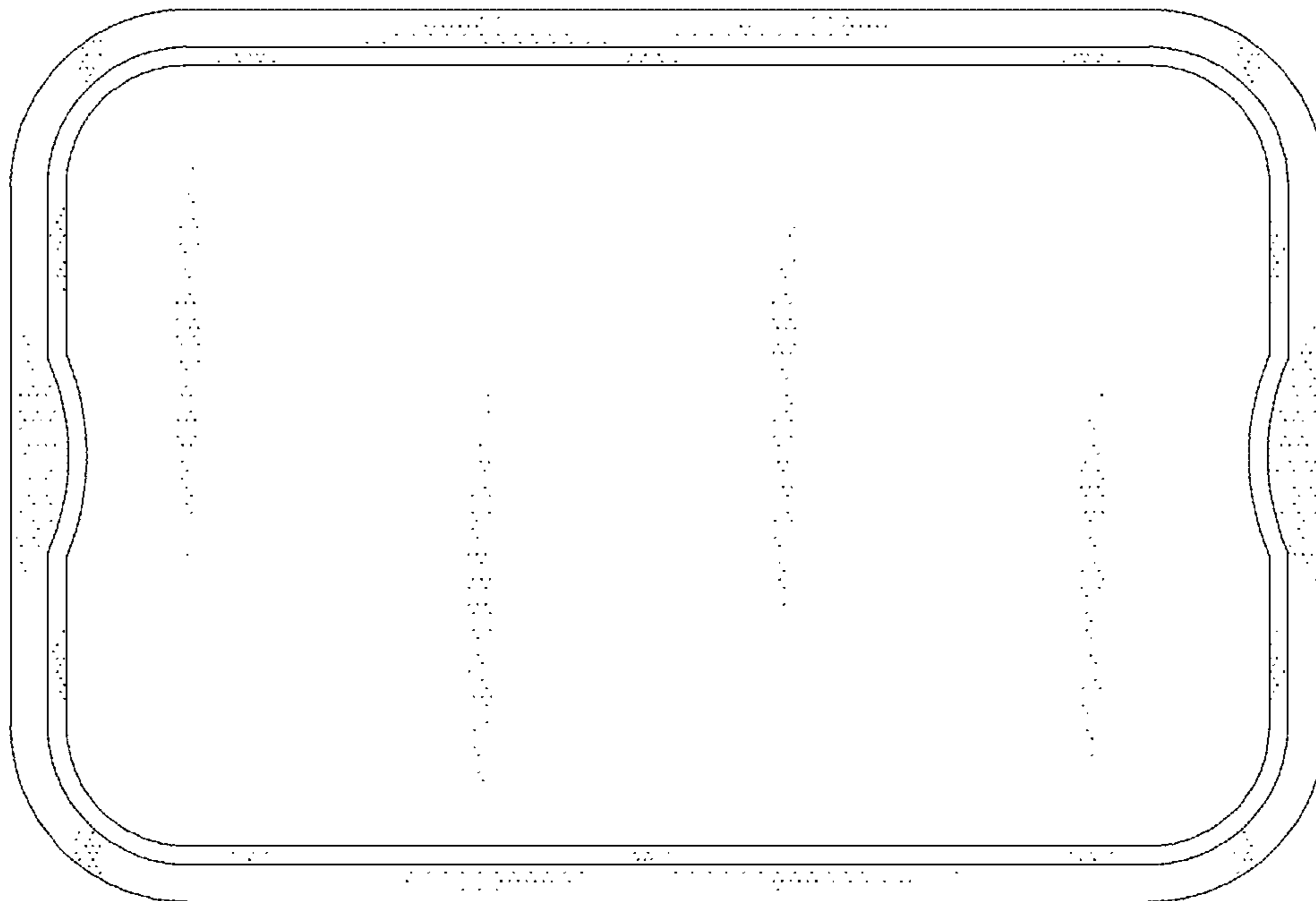


FIG. 8