



US00D706446S

(12) **United States Design Patent**  
**Ingber et al.**

(10) **Patent No.:** **US D706,446 S**  
(45) **Date of Patent:** **\*\* Jun. 3, 2014**

(54) **OPTICS CUP WITH CURVED BOTTOM**

(71) Applicant: **Pocared Diagnostics Ltd., Rebovot (IL)**

(72) Inventors: **Gal Ingber, Oranit (IL); Martha J. Rogers, Bellville, OH (US)**

(73) Assignee: **Pocared Diagnostics Ltd. (IL)**

(\*\*) Term: **14 Years**

(21) Appl. No.: **29/439,425**

(22) Filed: **Dec. 11, 2012**

(51) **LOC (10) Cl.** ..... **24-01**

(52) **U.S. Cl.**  
USPC ..... **D24/224**

(58) **Field of Classification Search**  
USPC ..... D24/216, 223, 224, 225, 226, 227, 229,  
D24/230, 231, 232; D10/81; D3/201, 304;  
422/547, 549-559, 64, 65, 67, 102,  
422/104; 435/305.1, 307.1, 288.1-288.4;  
356/240, 246  
See application file for complete search history.

(56) **References Cited**

**U.S. PATENT DOCUMENTS**

3,113,680	A	12/1963	Frater et al.	
3,252,614	A	5/1966	Evans	
3,994,594	A	11/1976	Sandrock et al.	
D242,659	S	12/1976	Clipson et al.	
4,043,678	A	8/1977	Farrell et al.	
4,332,471	A *	6/1982	Gross	356/246
D294,317	S	2/1988	Evenson et al.	
4,895,267	A	1/1990	Karlsson	
D311,799	S	10/1990	Embree et al.	
D324,239	S	2/1992	Halm	
D327,971	S	7/1992	Cugley	
D330,428	S	10/1992	Lewis et al.	
D335,348	S *	5/1993	Frenkel et al.	D24/224

D335,996	S	6/1993	Evenson	
D347,479	S *	5/1994	Hansen et al.	D24/224
5,437,841	A	8/1995	Balmer	
D365,153	S *	12/1995	Robertson, Jr.	D24/224
D367,932	S	3/1996	Lim	
5,571,479	A	11/1996	Koch	
5,788,928	A *	8/1998	Carey et al.	422/559
D420,051	S	2/2000	Conley et al.	
D455,459	S	4/2002	Cheris et al.	
D467,052	S	12/2002	Van LANDINGHAM, Jr.	
D517,319	S	3/2006	Wisnoski et al.	

(Continued)

*Primary Examiner* — Anhdao Doan

(74) *Attorney, Agent, or Firm* — The Webb Law Firm

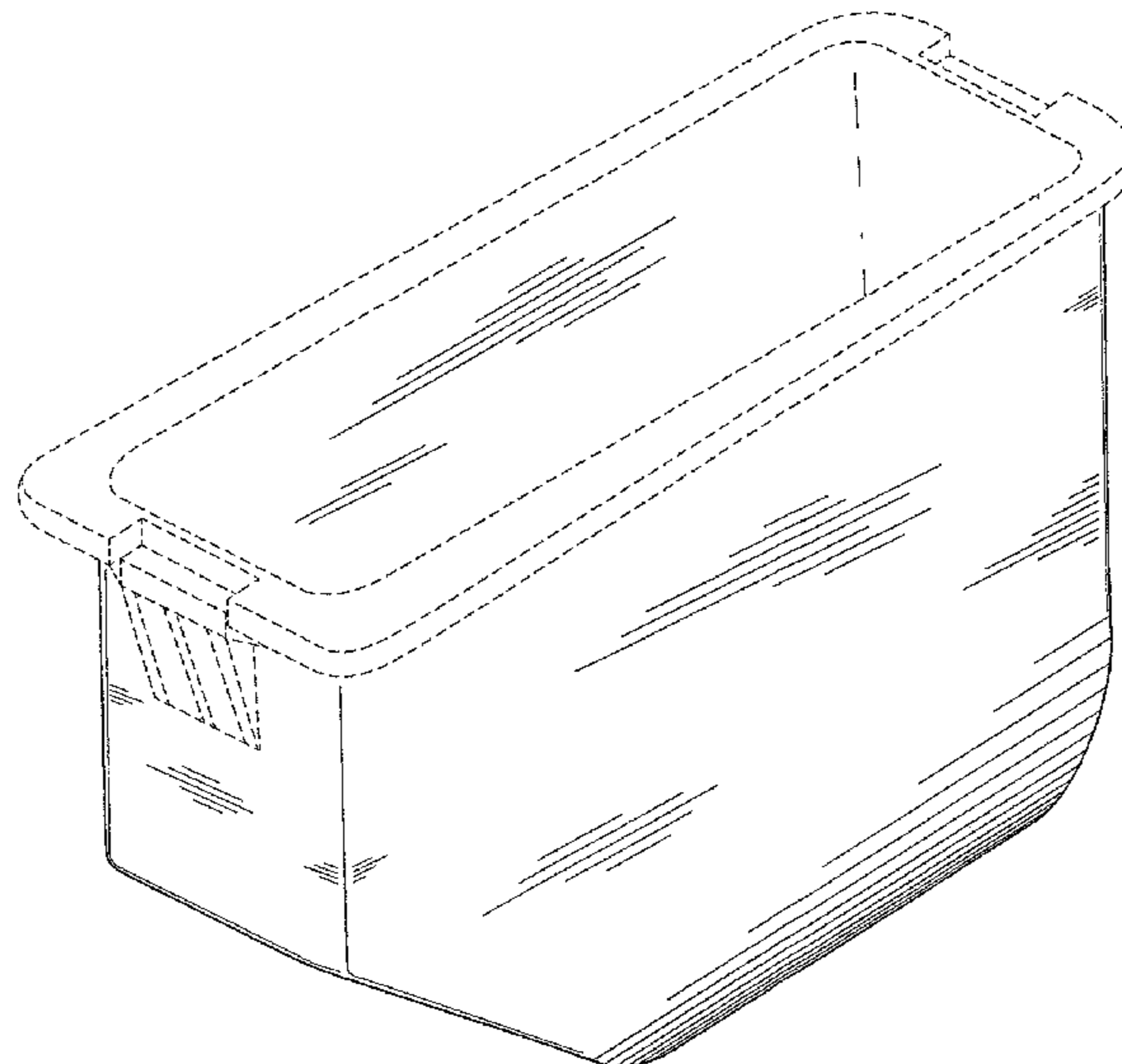
(57) **CLAIM**

The ornamental design for an optics cup with curved bottom, as shown and described.

**DESCRIPTION**

FIG. 1 is a Front right side perspective view of the optics cup with curved bottom;  
 FIG. 2 is a front left side perspective view;  
 FIG. 3 is a top view thereof;  
 FIG. 4 is a bottom view thereof;  
 FIG. 5 is a view of the right-hand side of the optics cup with curved bottom;  
 FIG. 6 is a view of the left-hand side of the optics cup with curved bottom;  
 FIG. 7 is a front view;  
 FIG. 8 is a rear view;  
 FIG. 9 is a section view along lines 9-9 in FIG. 5;  
 FIG. 10 is a section view along lines 10-10 in FIG. 5;  
 FIG. 11 is a section view along lines 11-11 in FIG. 3; and,  
 FIG. 12 is a cut-away view along lines 12-12 in FIG. 5.  
 The broken lines in the drawing views are included for the purpose of illustrating portions of the optics cup with curved bottom that form no part of the claimed design.

**1 Claim, 10 Drawing Sheets**



(56)

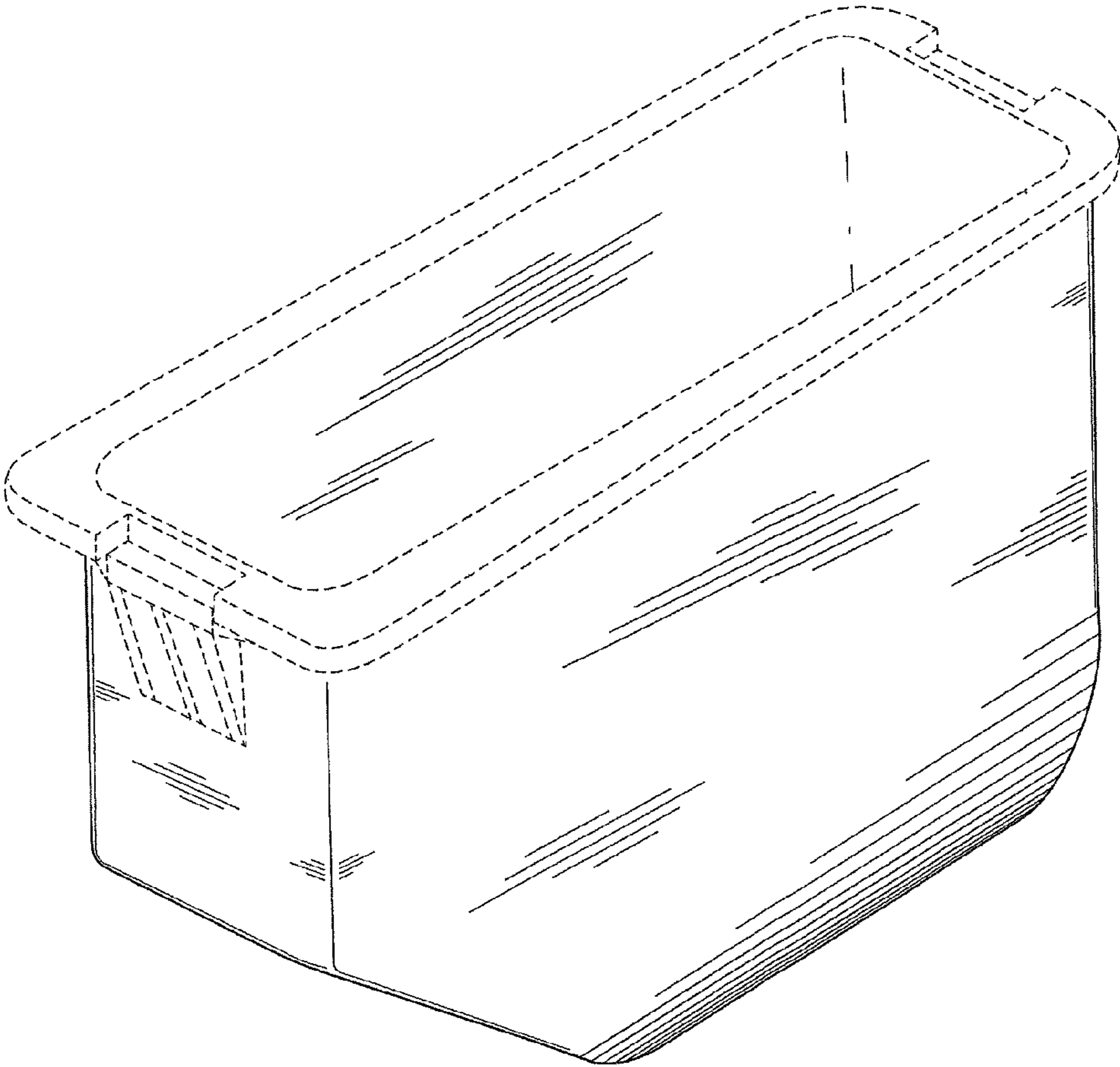
**References Cited**

U.S. PATENT DOCUMENTS

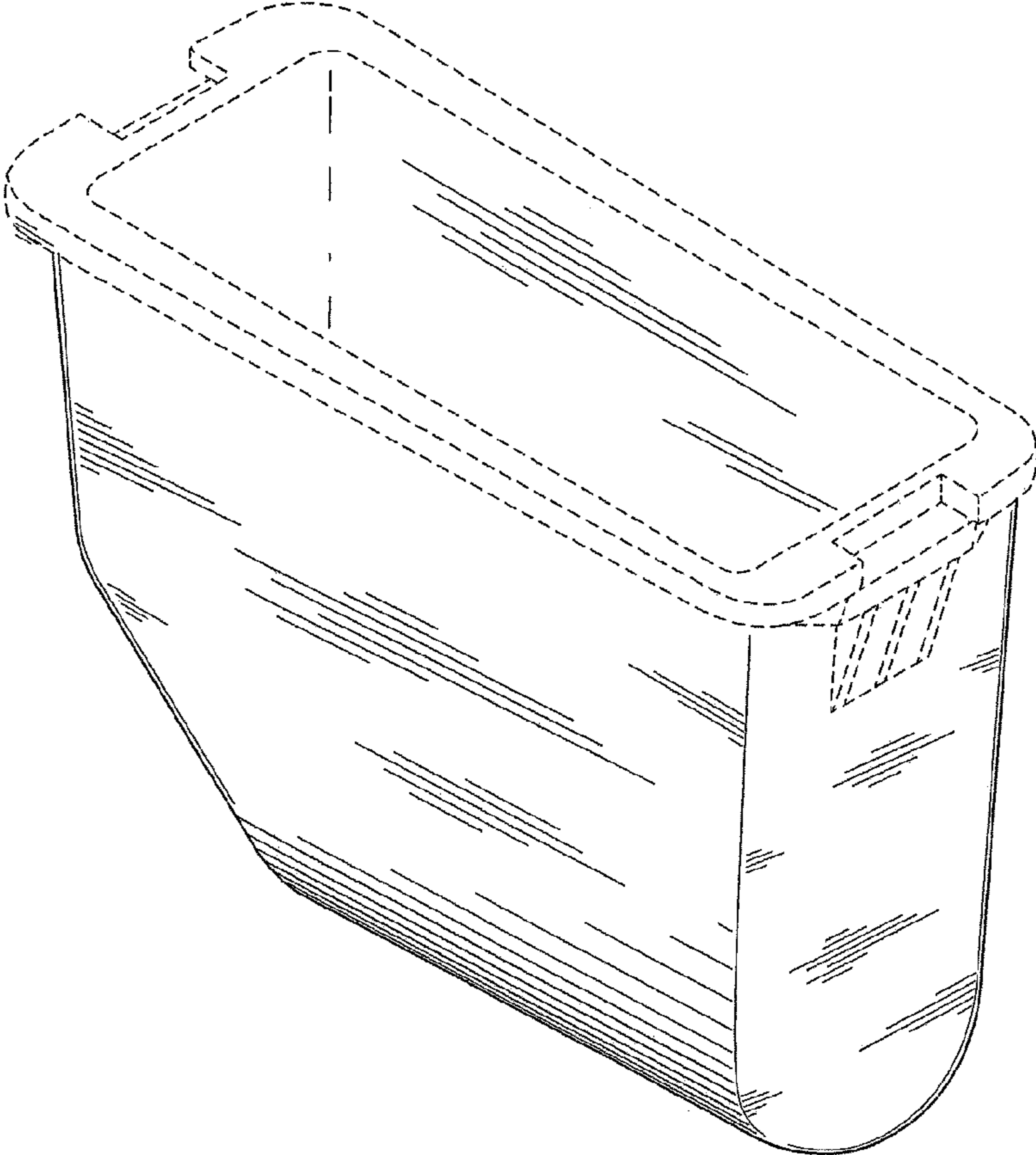
D538,539 S 3/2007 Richardson et al.  
D560,816 S 1/2008 Talmer et al.  
D562,405 S 2/2008 Gusdorf  
7,410,618 B2 8/2008 Muser  
D585,215 S 1/2009 Rosenberg  
D594,229 S 6/2009 Barkdoll et al.  
D606,314 S 12/2009 Neilsen  
D610,698 S \* 2/2010 Laudo et al. .... D24/216  
D621,520 S 8/2010 Talmer et al.

D624,659 S 9/2010 Nuotio  
D624,660 S 9/2010 Himmelsbach et al.  
D630,852 S 1/2011 Kobilarcik et al.  
D639,562 S 6/2011 Cadwell  
D655,016 S \* 2/2012 Laudo et al. .... D24/224  
2005/0214946 A1 9/2005 Bebee  
2009/0117005 A1 5/2009 Rousseau  
2009/0219527 A1 9/2009 Hulme et al.  
2010/0009431 A1\* 1/2010 Cho et al. .... 422/102  
2011/0093207 A1\* 4/2011 Ingber et al. .... 702/19  
2012/0105837 A1 5/2012 Ingber

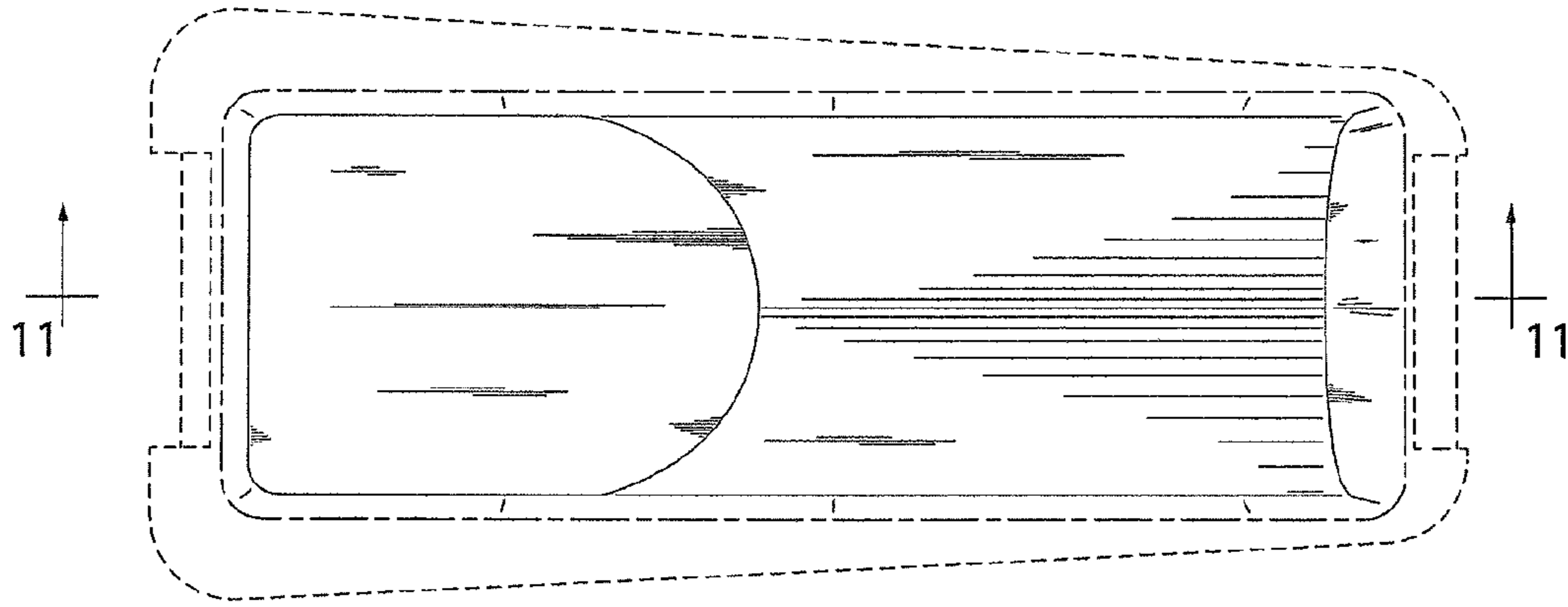
\* cited by examiner



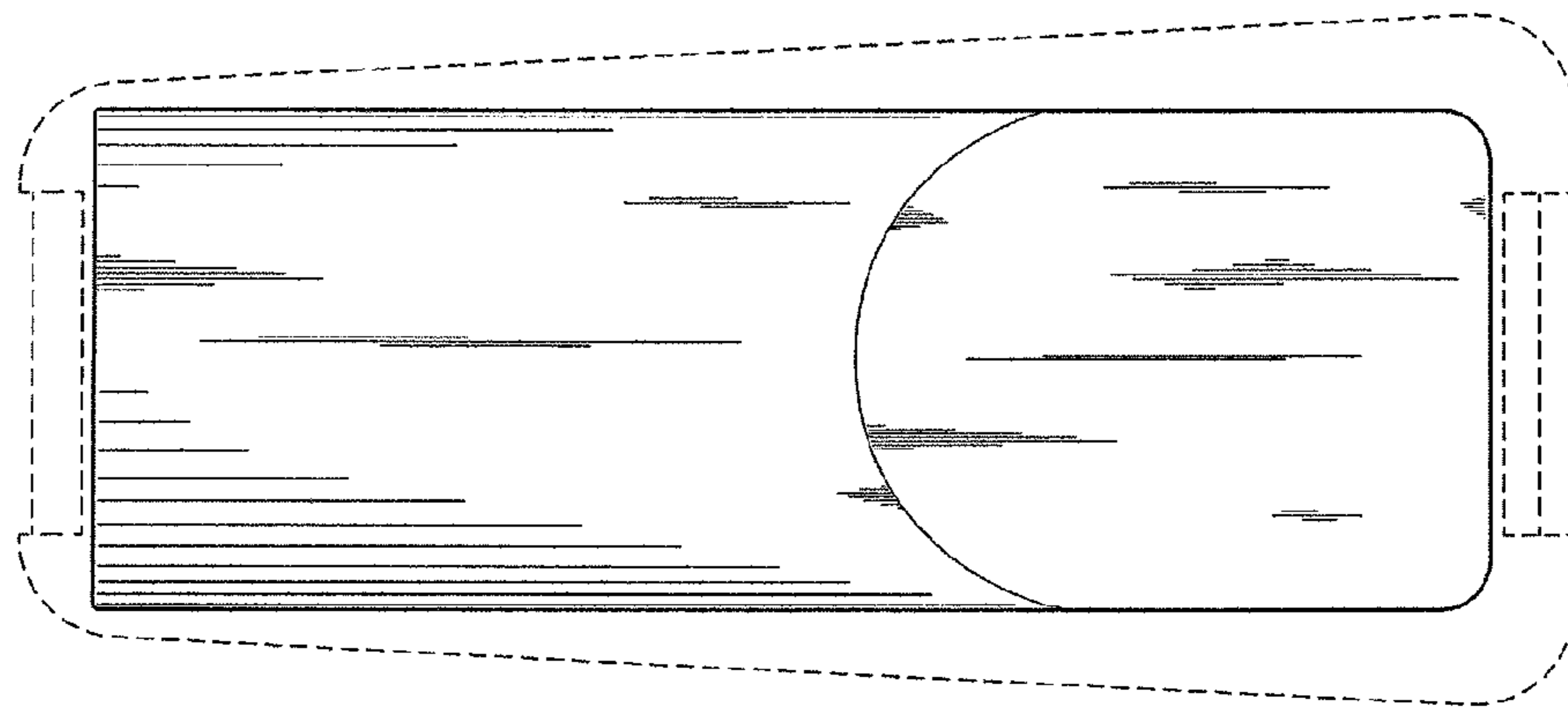
**FIG. 1**



**FIG. 2**



**FIG. 3**



**FIG. 4**

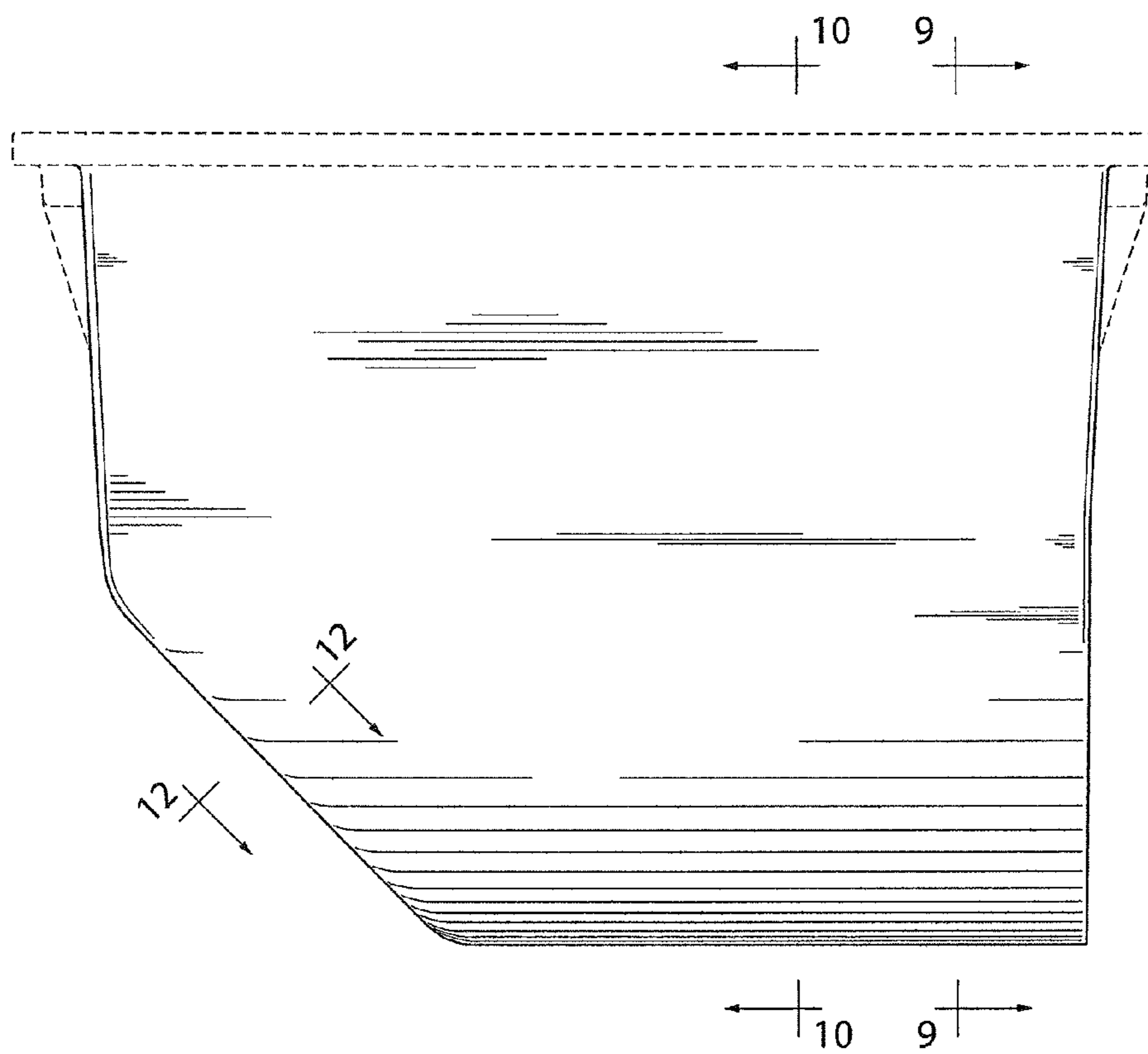


FIG. 5

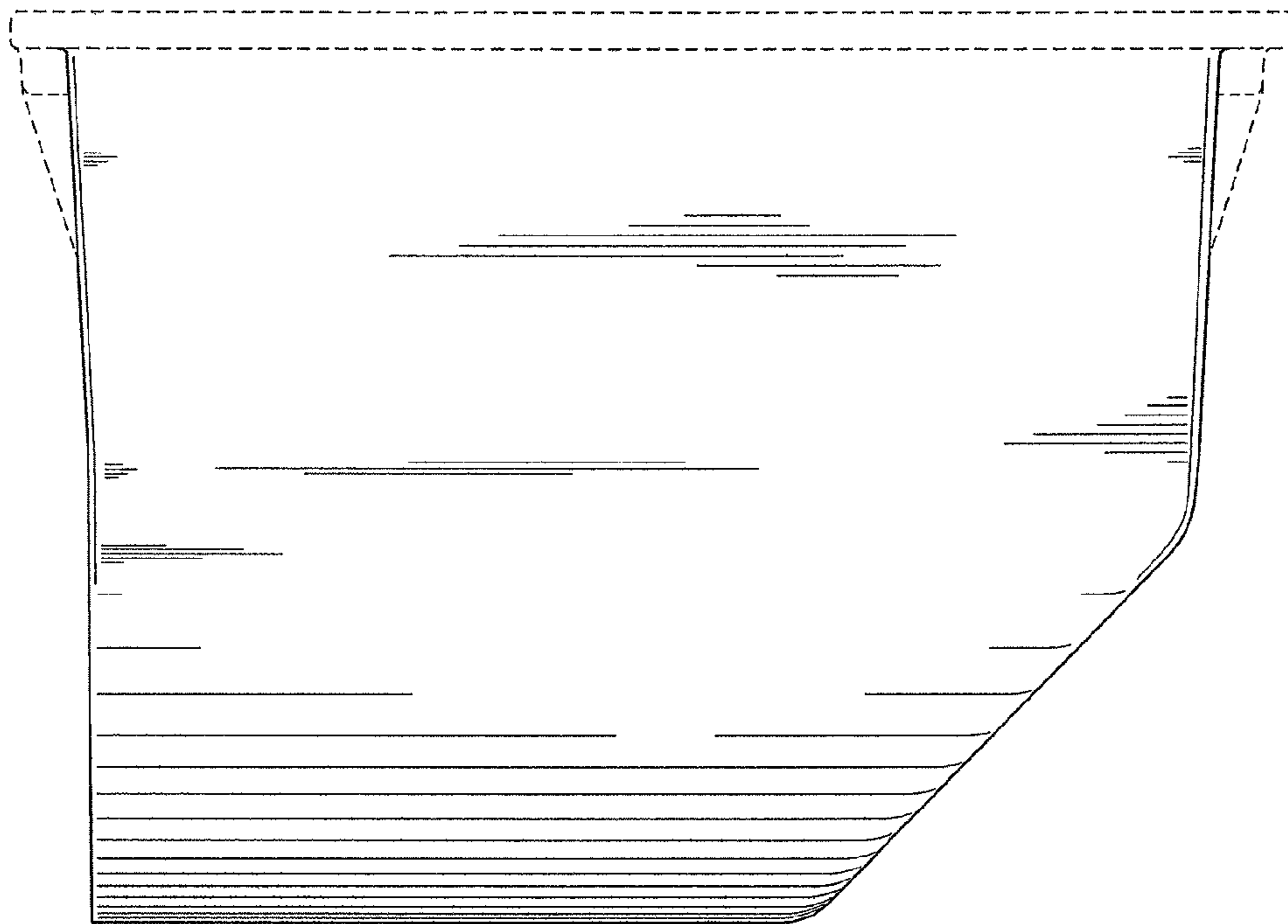
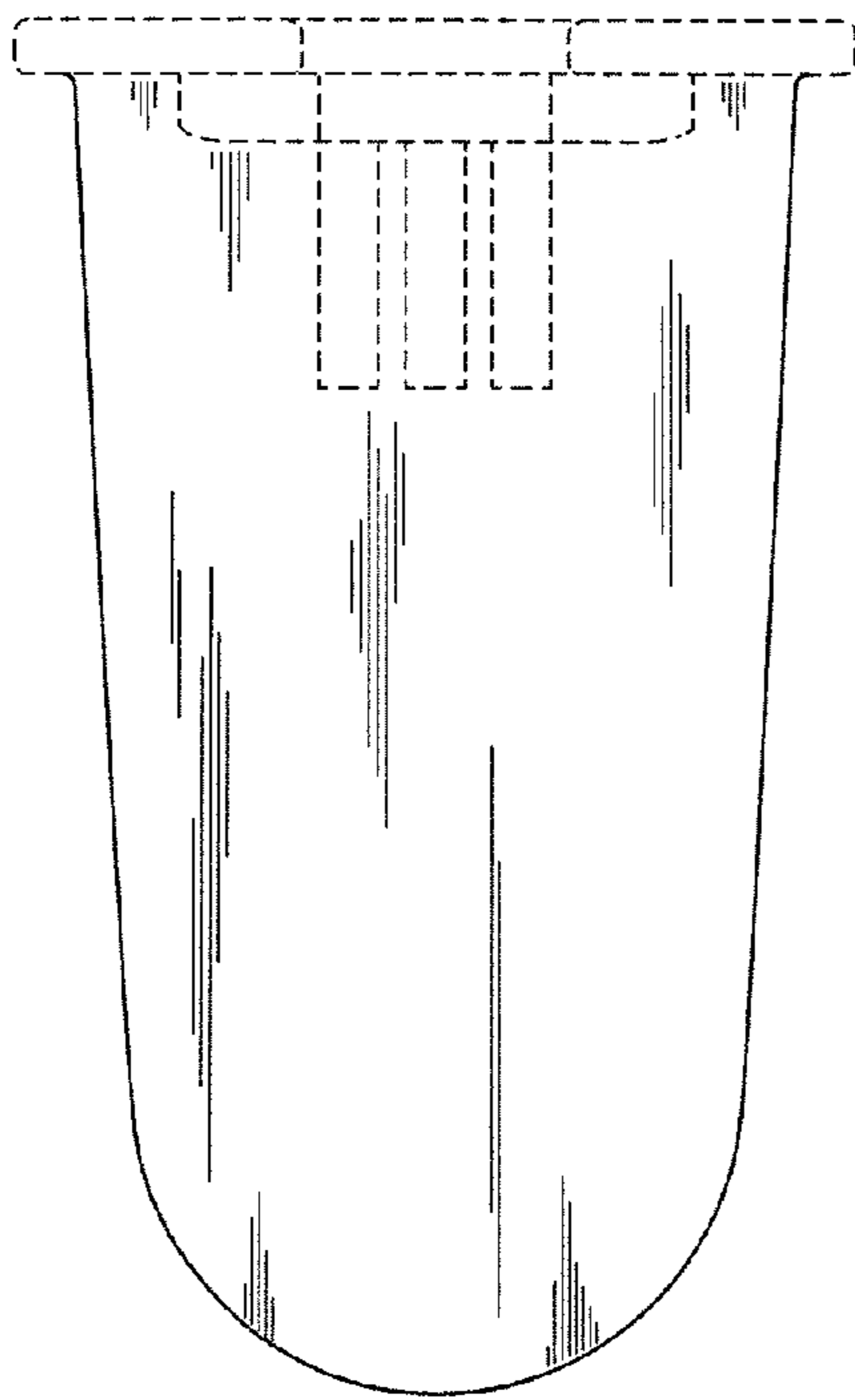
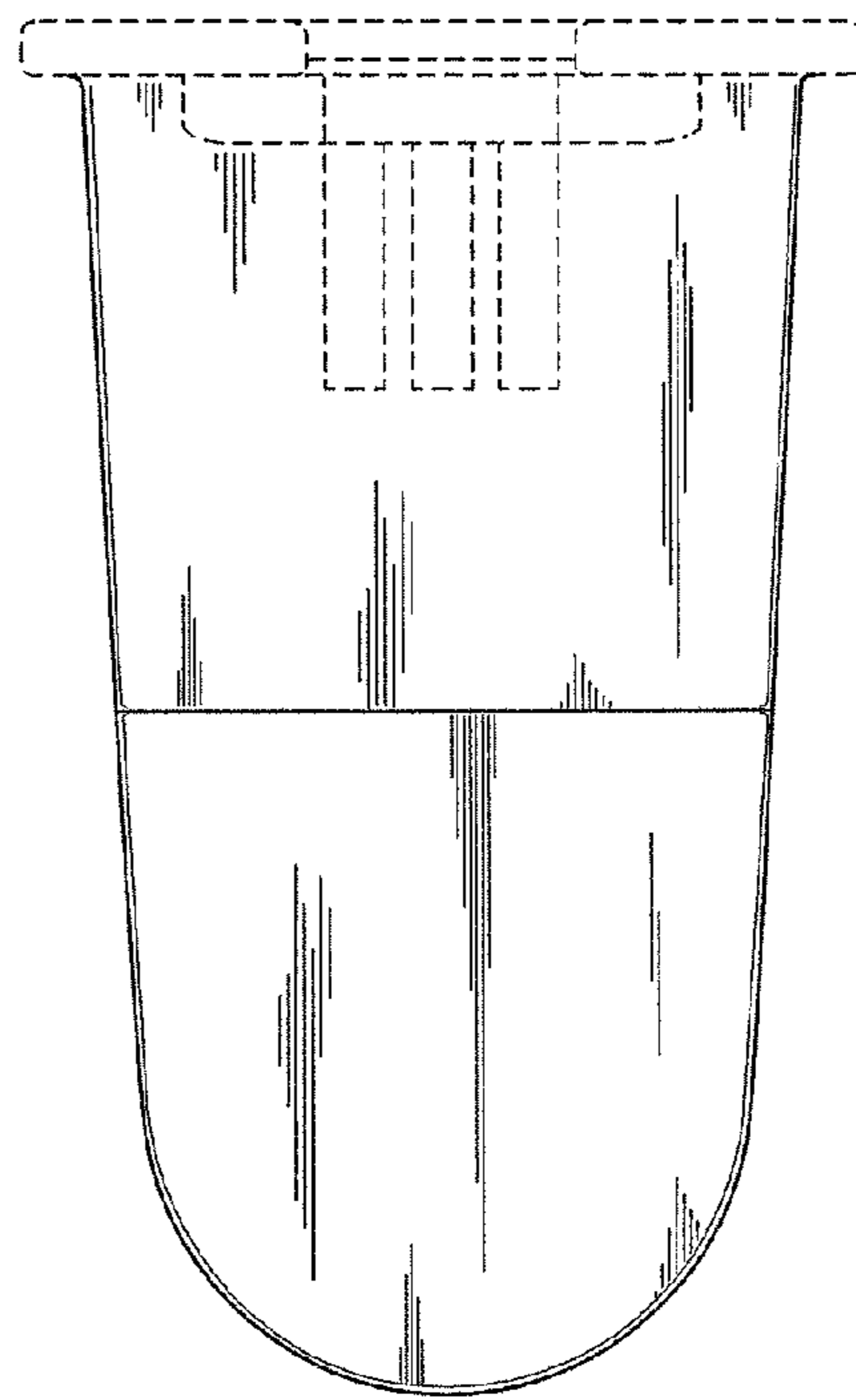


FIG. 6



**FIG. 7**



**FIG. 8**



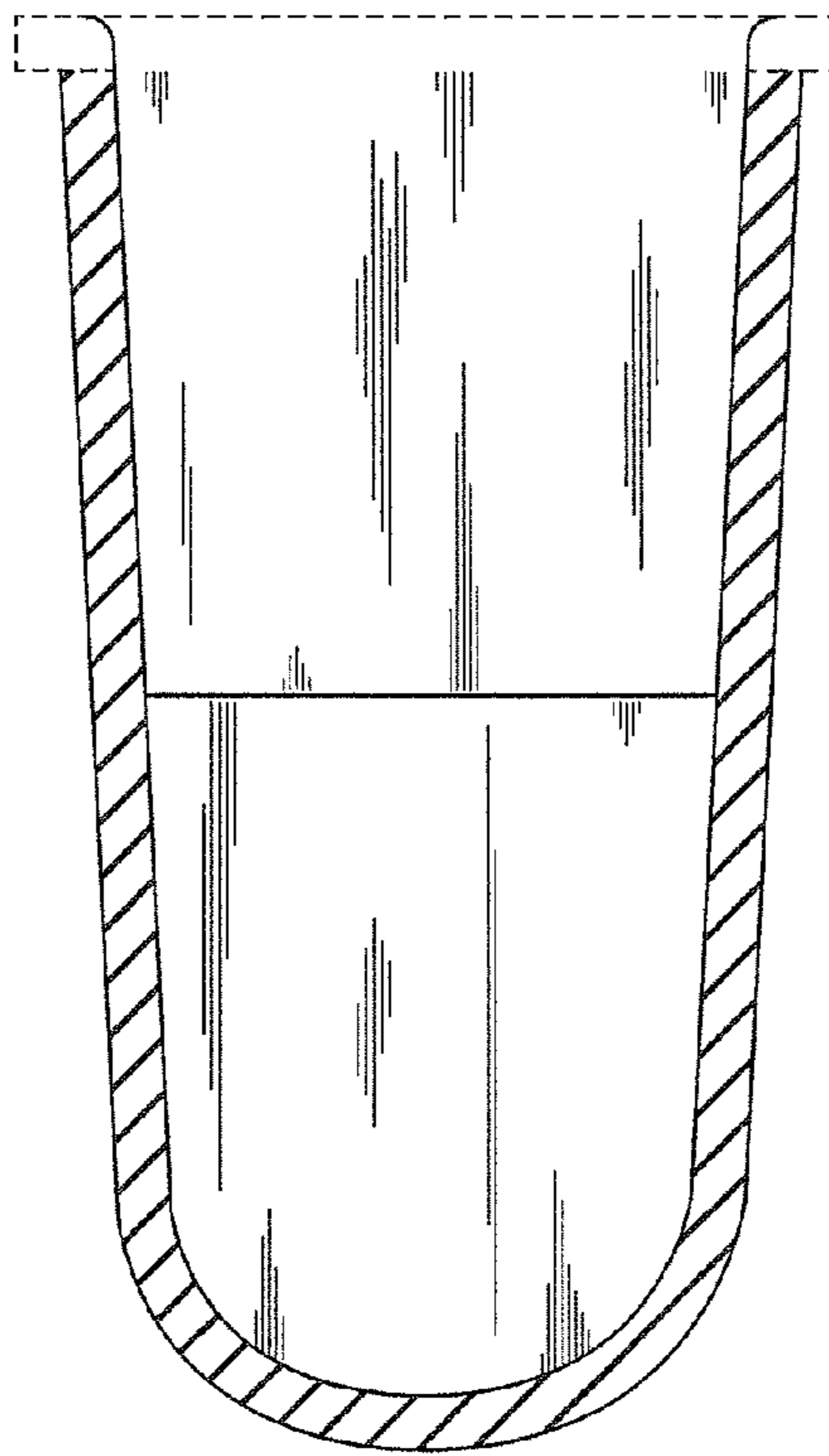
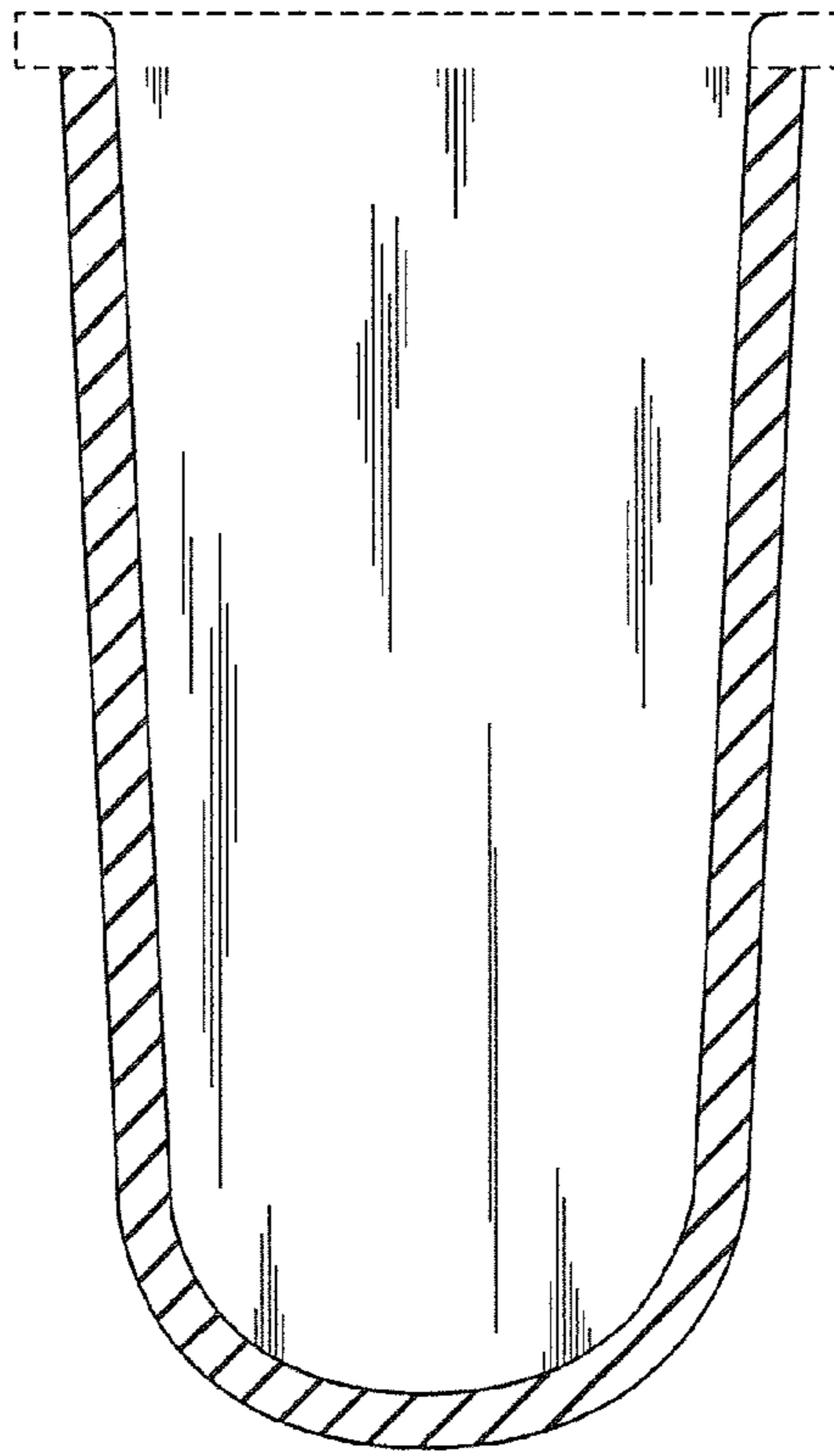


FIG. 9



**FIG. 10**

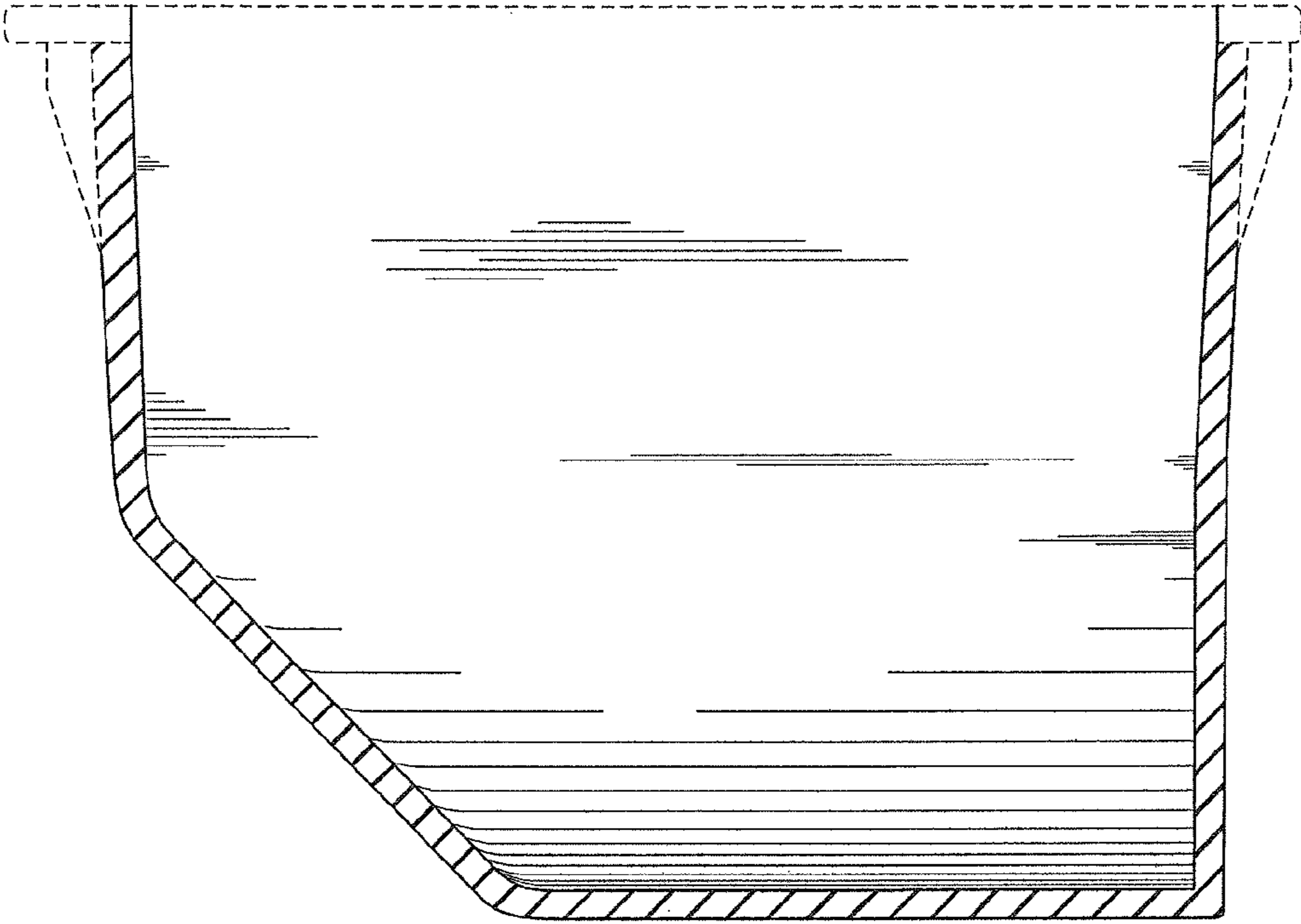


FIG. 11

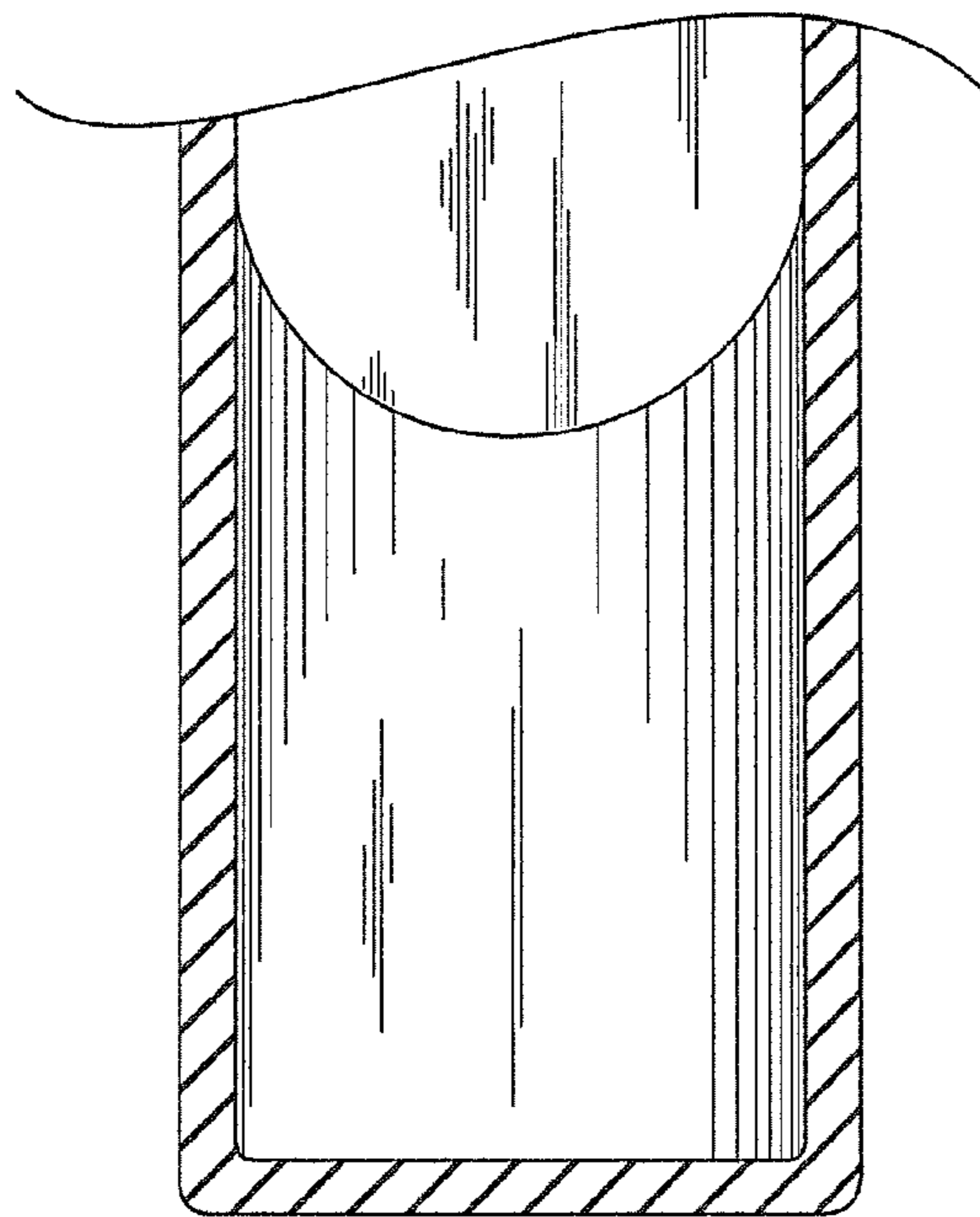


FIG. 12