



US00D706435S

(12) **United States Design Patent**
Weng

(10) **Patent No.:** **US D706,435 S**

(45) **Date of Patent:** **** Jun. 3, 2014**

(54) **BEAUTY TREATMENT DEVICE**

(75) **Inventor:** **Shun-Yi Weng**, Victoria (AU)

(73) **Assignee:** **Joy's International Cosmetics Pty Ltd**,
Victoria (AU)

(**) **Term:** **14 Years**

(21) **Appl. No.:** **29/426,438**

(22) **Filed:** **Jul. 5, 2012**

(51) **LOC (10) Cl.** **24-01**

(52) **U.S. Cl.**
USPC **D24/200**

(58) **Field of Classification Search**

USPC D24/200–213; 601/7, 15, 1; 401/28;
D4/136; D28/56–57, 61; 132/73;
602/30; 604/291; 600/459; 606/131

See application file for complete search history.

(56) **References Cited**

U.S. PATENT DOCUMENTS

D141,012	S	*	4/1945	Meminger	D24/200
D204,531	S	*	4/1966	Goode	D24/206
D249,550	S	*	9/1978	Jankelson et al.	D24/200
D282,486	S	*	2/1986	Kirsch	D24/200
D326,920	S	*	6/1992	Ridolfo	D24/200
D350,205	S	*	8/1994	Yamasaki et al.	D24/200
D352,358	S	*	11/1994	Yan	D24/200
D363,553	S	*	10/1995	Lee	D24/200
D364,928	S	*	12/1995	Yamasaki et al.	D24/200
D399,970	S	*	10/1998	Agarwala et al.	D24/200
D418,134	S	*	12/1999	Crump	D14/167
D462,450	S	*	9/2002	Robinette	D24/200
6,540,685	B1	*	4/2003	Rhoads et al.	600/459
D475,463	S	*	6/2003	Leyde et al.	D24/200
D477,880	S	*	7/2003	Moretto	D24/200
D492,036	S	*	6/2004	Kang	D24/200
7,276,072	B2	*	10/2007	Chung	606/131
D593,684	S	*	6/2009	Kapadya	D24/200

D603,971	S	*	11/2009	Gonzales et al.	D24/200
D685,914	S	*	7/2013	Corrigan et al.	D24/186
2004/0254588	A1	*	12/2004	Kim	606/131
2005/0038448	A1	*	2/2005	Chung	606/131
2013/0245449	A1	*	9/2013	Barnes et al.	600/459

* cited by examiner

Primary Examiner — Eric Goodman

Assistant Examiner — John Reickel

(74) *Attorney, Agent, or Firm* — WPAT, P.C.; Anthony King

(57) **CLAIM**

The ornamental design for a beauty treatment device, as shown and described.

DESCRIPTION

FIG. 1 is a top perspective view of a beauty treatment device, showing my new design;

FIG. 2 is a front view thereof;

FIG. 3 is a rear view thereof;

FIG. 4 is a left view thereof;

FIG. 5 is a right view thereof;

FIG. 6 is a top view thereof;

FIG. 7 is a bottom view thereof;

FIG. 8 is a bottom perspective view thereof;

FIG. 9 is an operational plan view thereof, wherein a supporting board on the bottom of the beauty treatment device is pivoted outward;

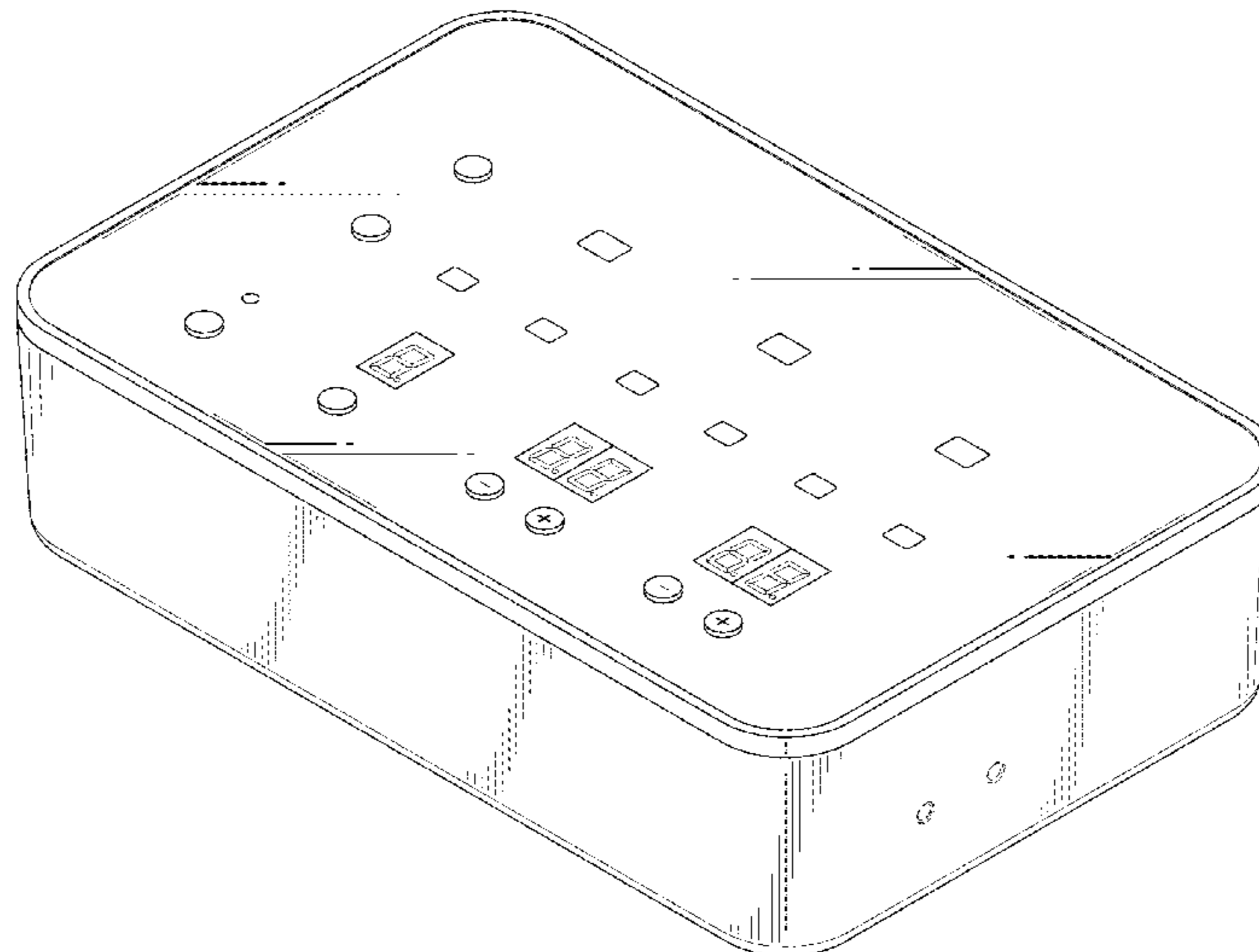
FIG. 10 is an operational rear perspective view thereof, wherein the supporting board is pivoted outward;

FIG. 11 is another operational perspective view thereof, wherein the supporting board is pivoted outward; and,

FIG. 12 is an operational rear perspective view thereof, wherein the beauty treatment device is electrically connected to massage gloves.

The broken lines illustrate environmental elements and portions of the beauty treatment device which form no part of the claimed design.

1 Claim, 10 Drawing Sheets



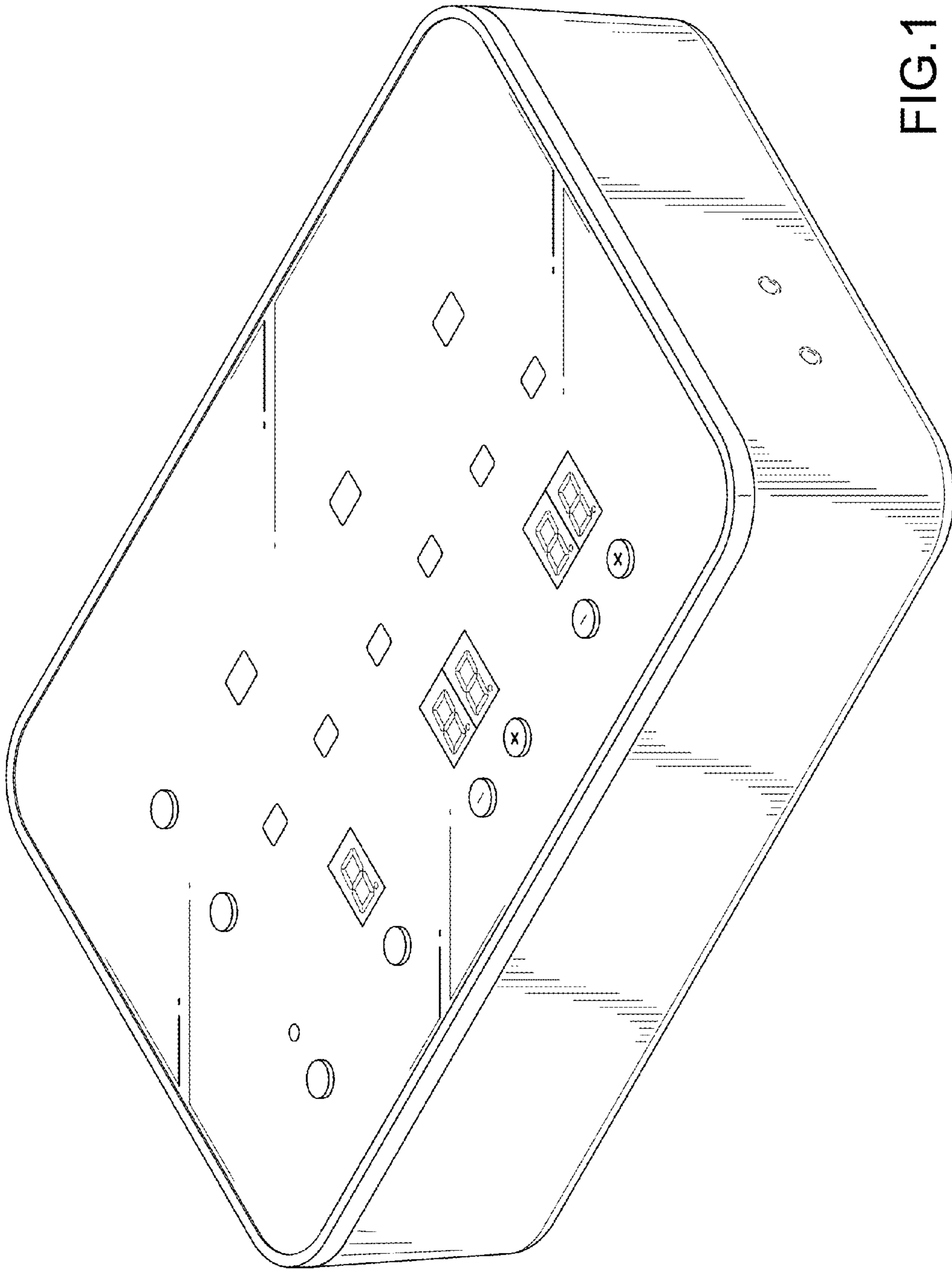


FIG.1

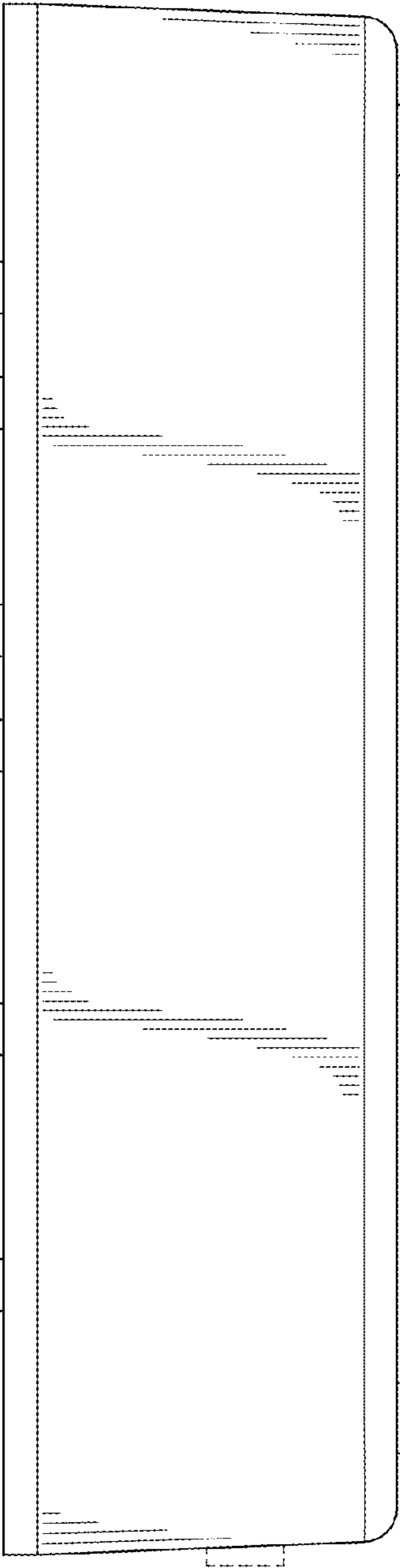


FIG. 2

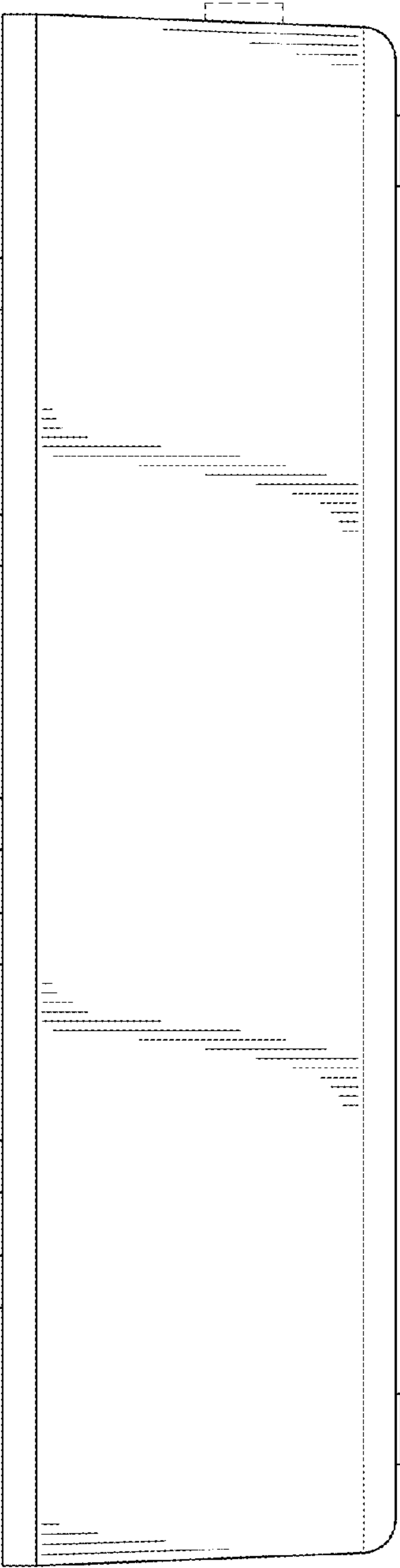


FIG. 3

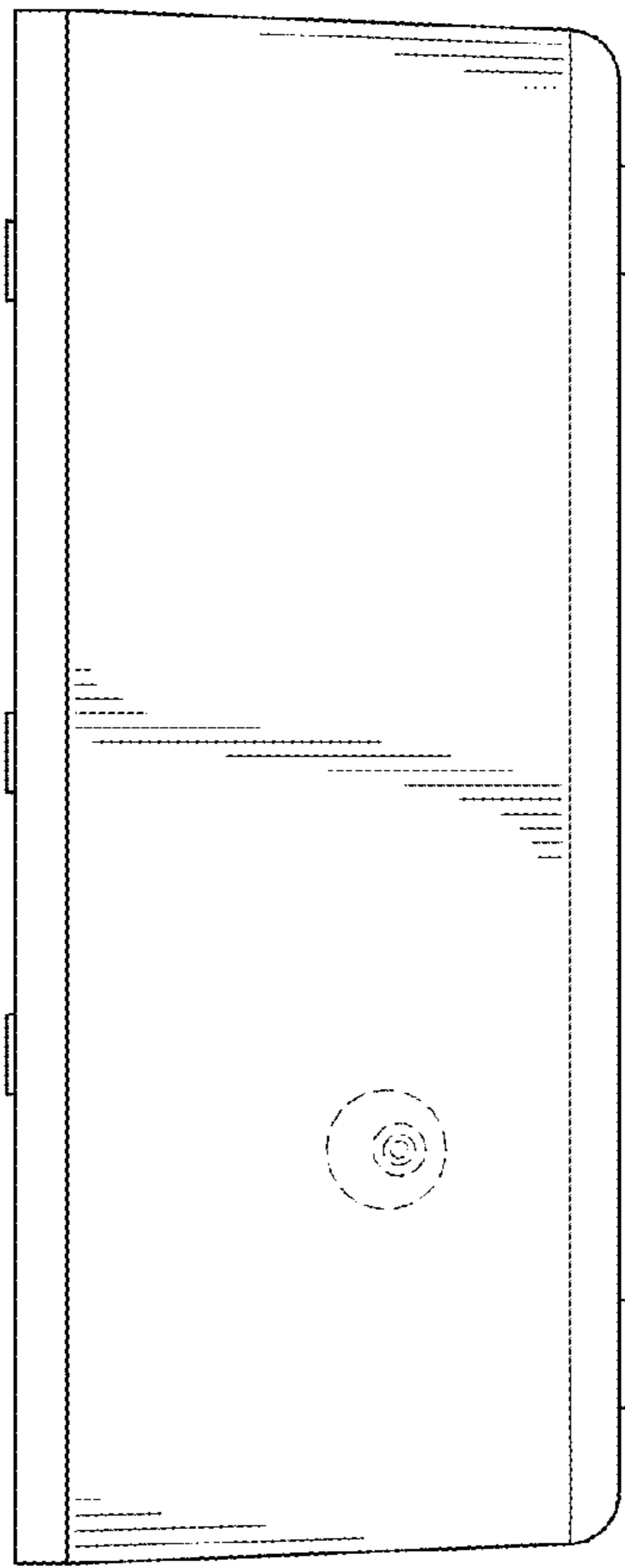


FIG. 4

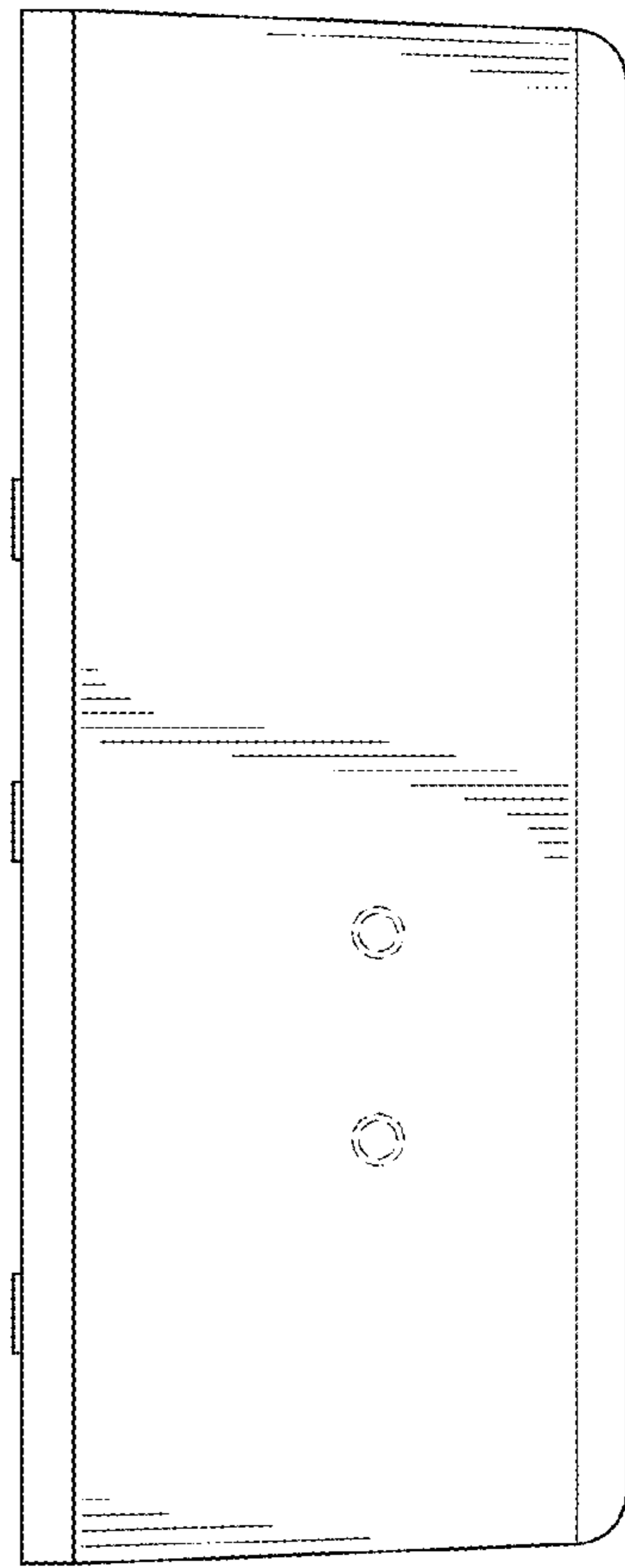


FIG. 5

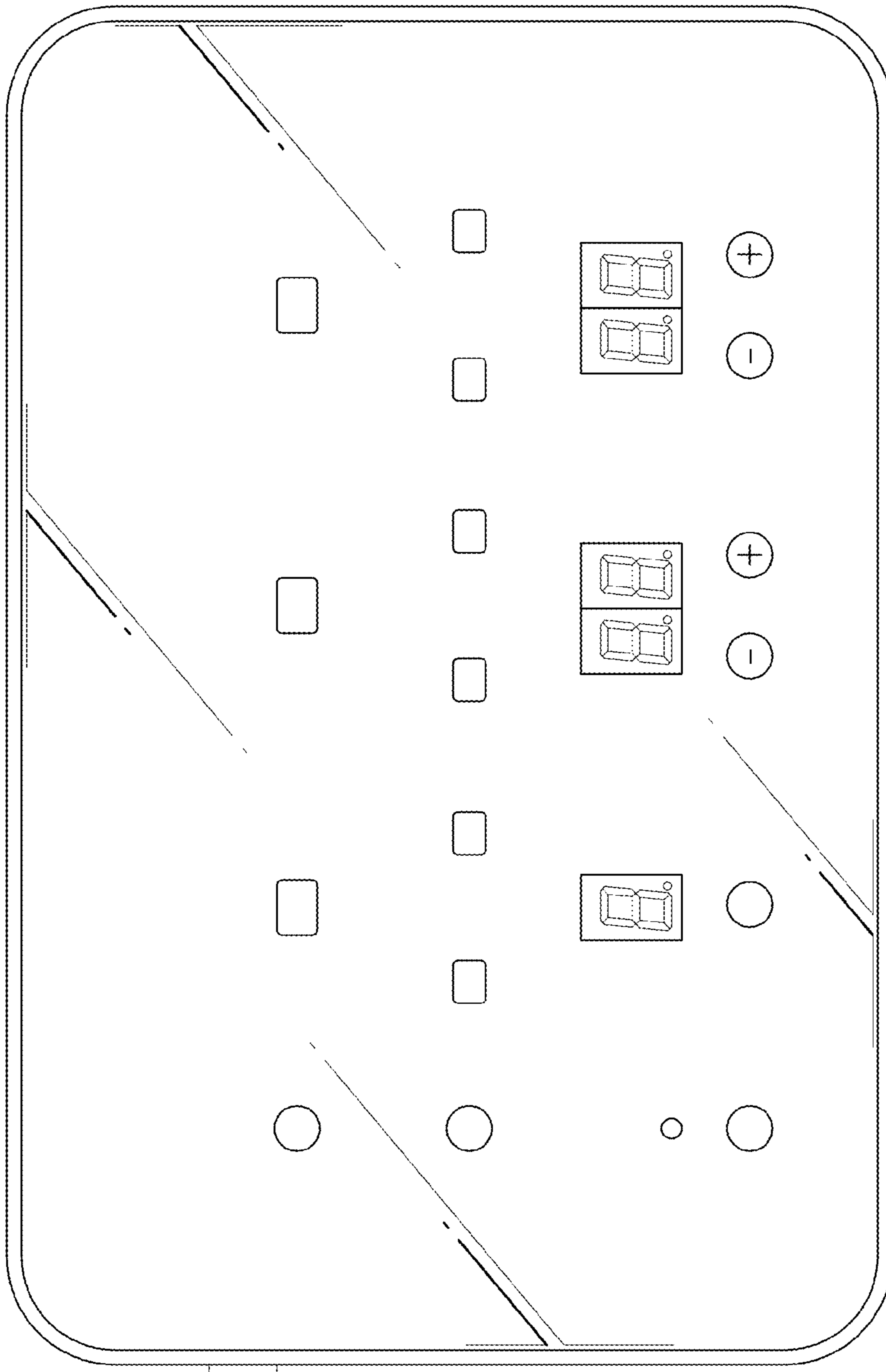


FIG. 6

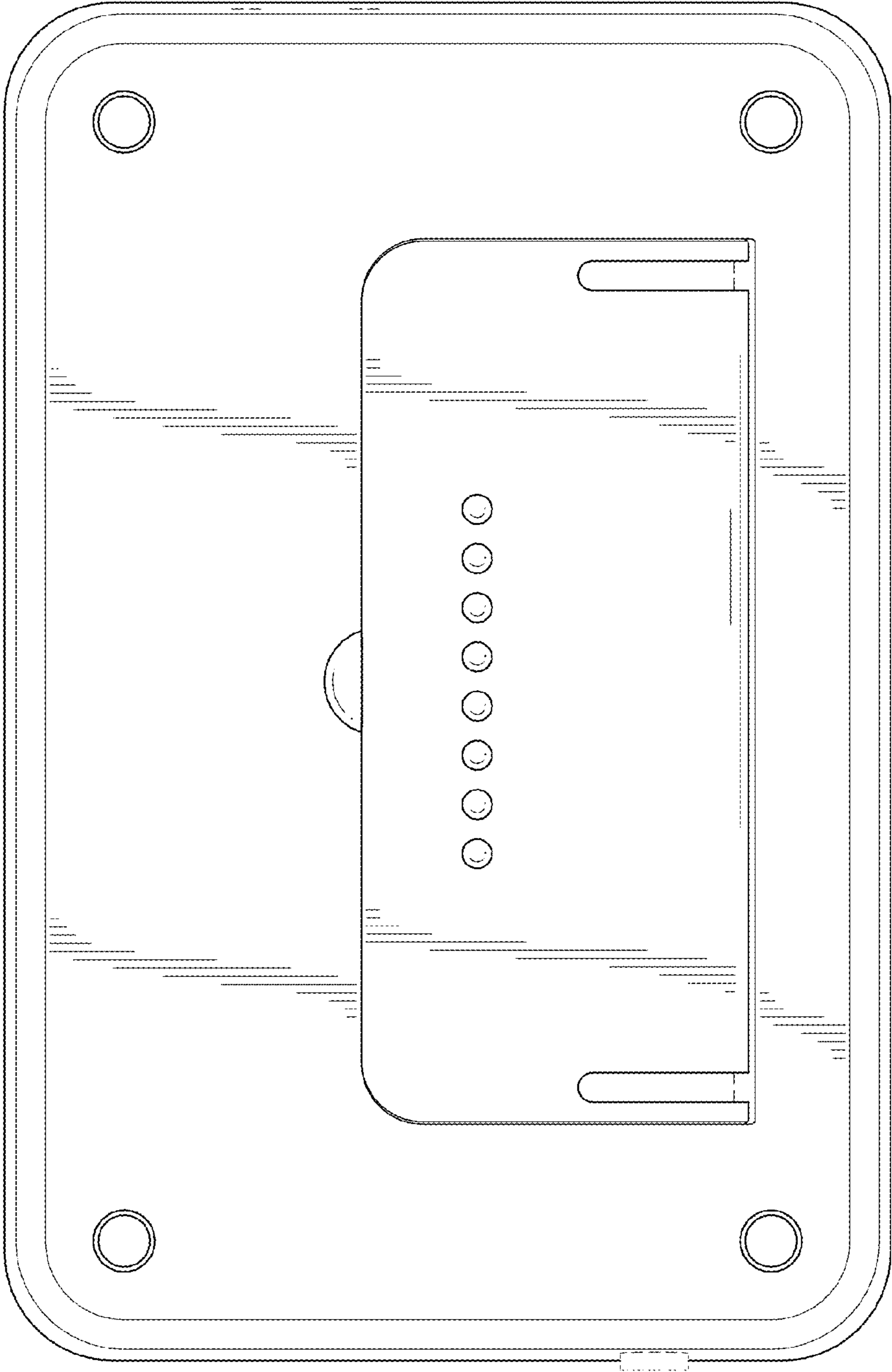


FIG.7

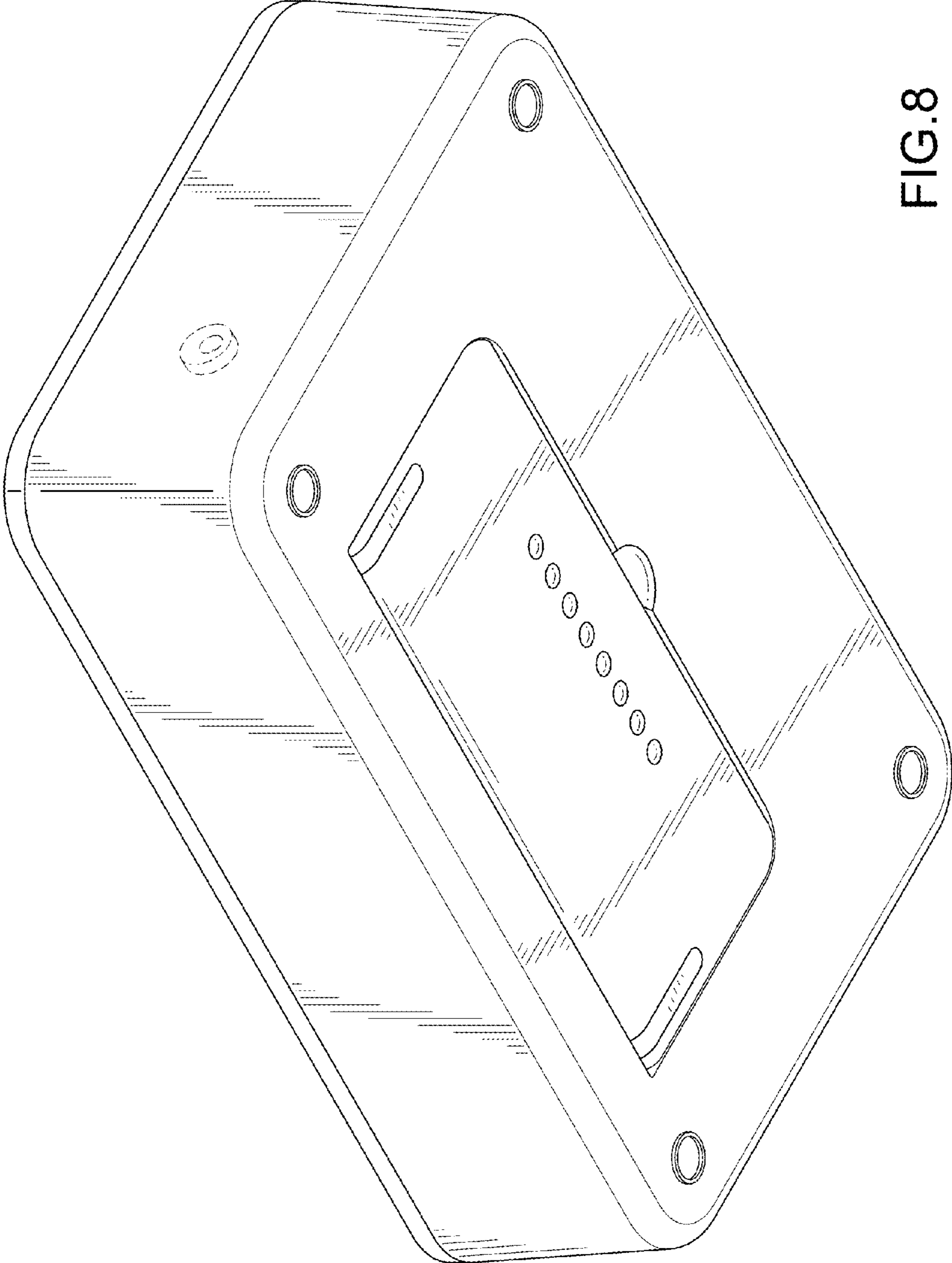


FIG.8

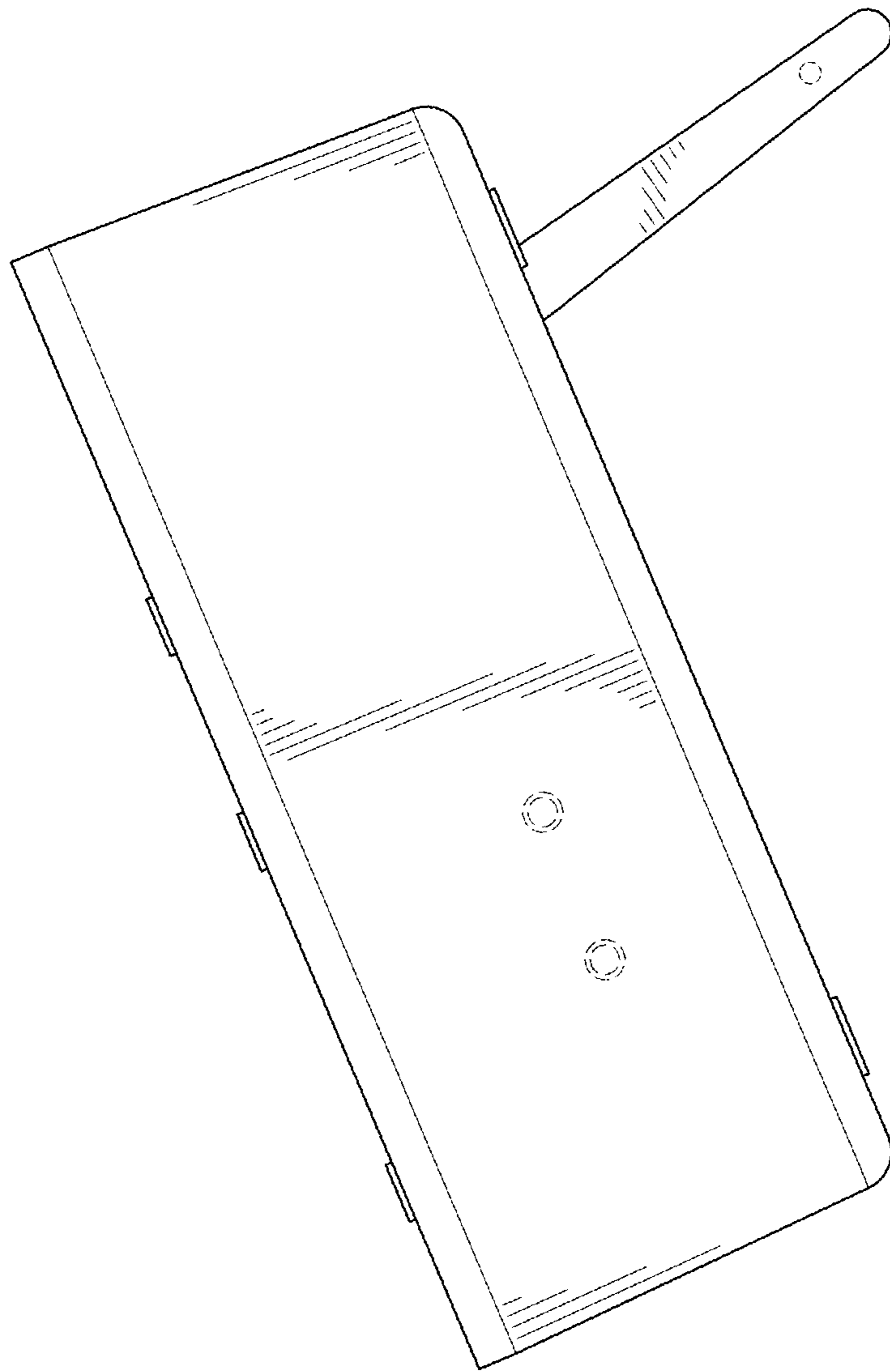


FIG.9

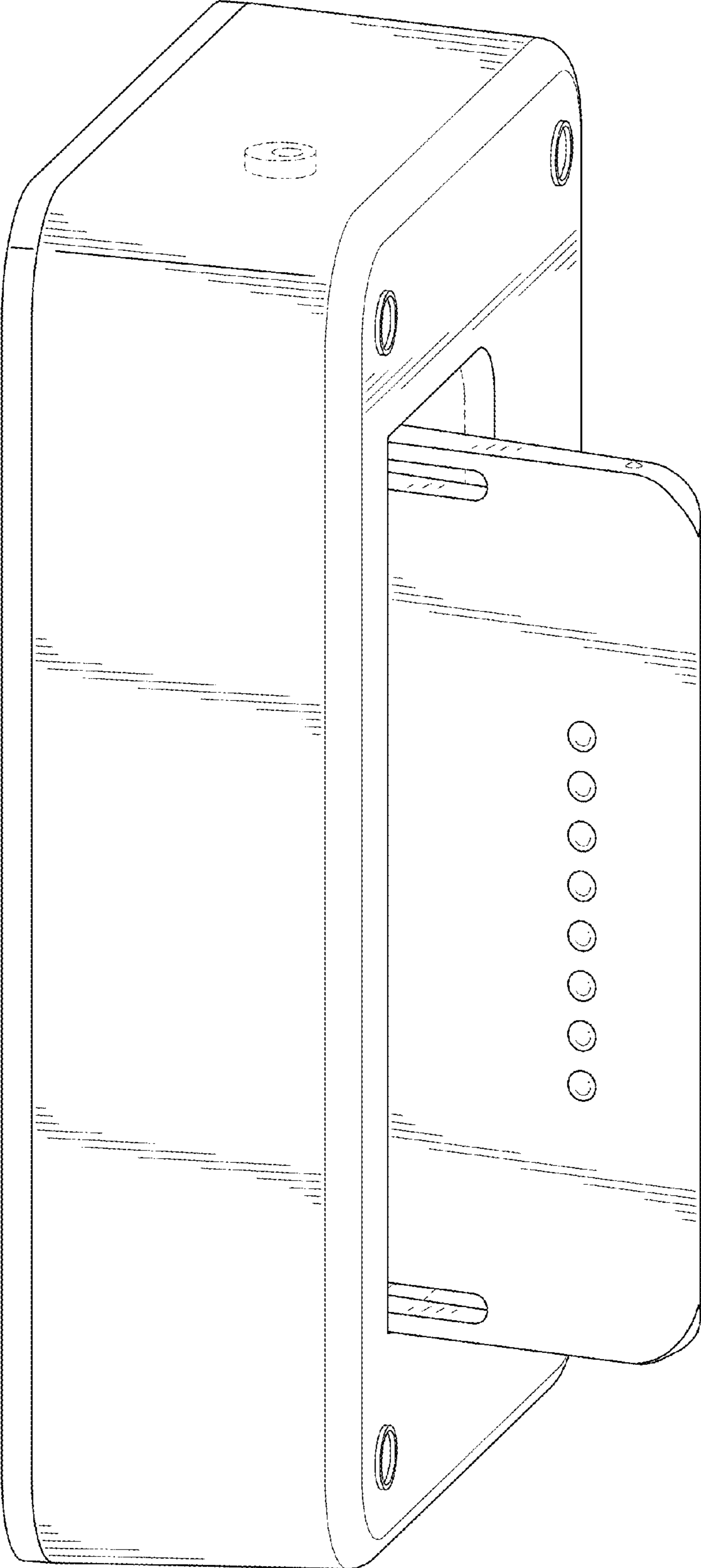


FIG.10

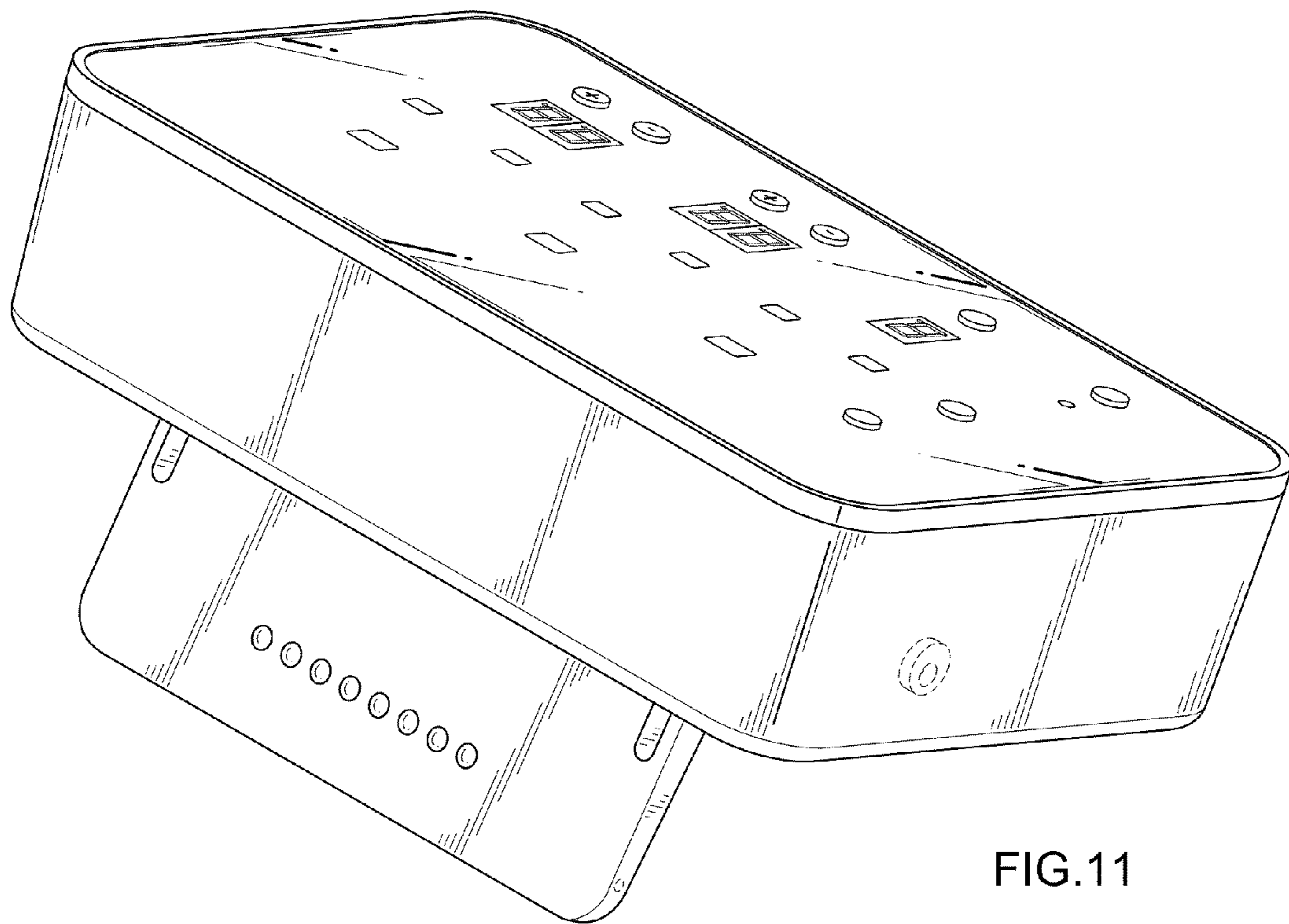


FIG.11

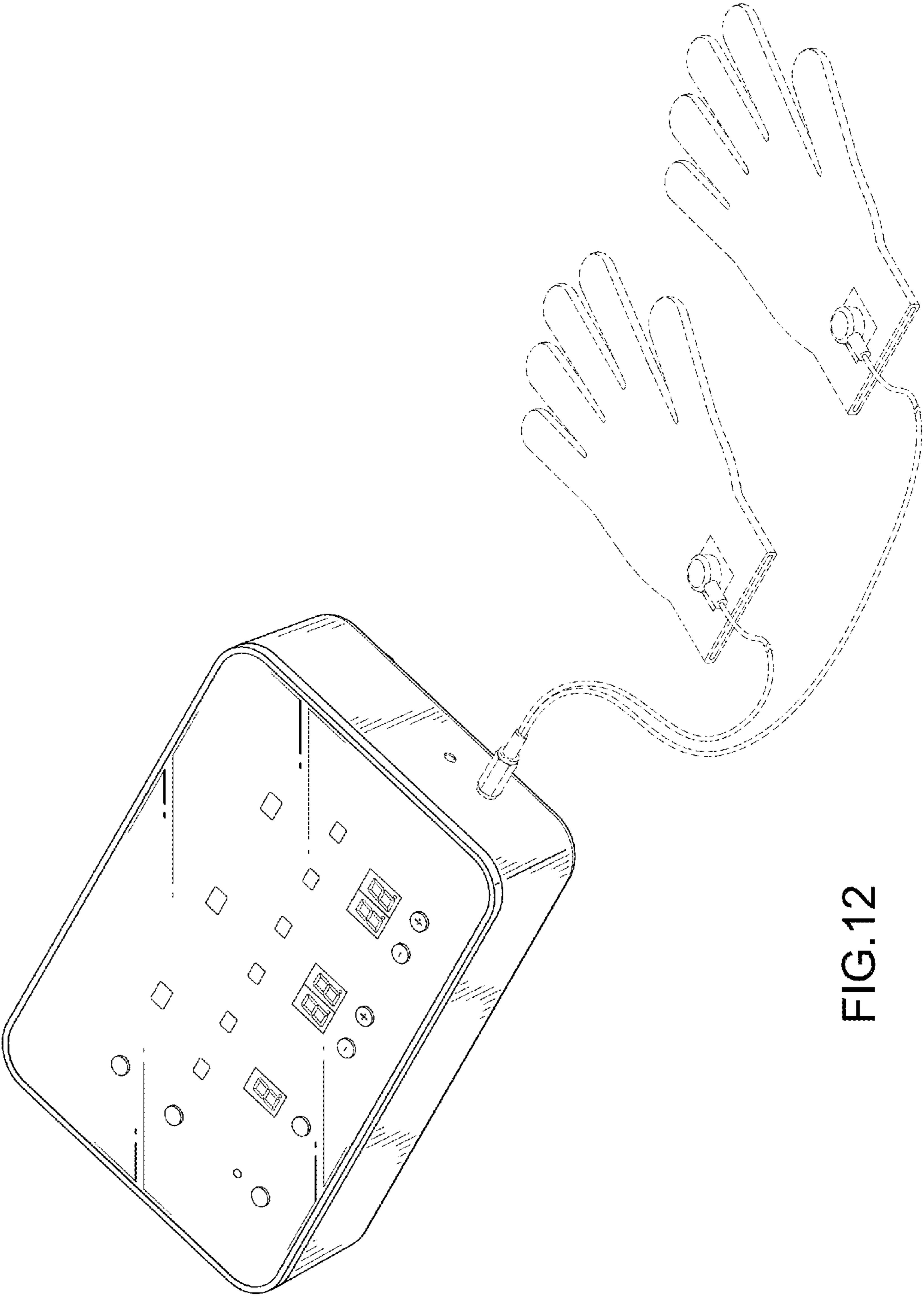


FIG.12