



US00D706429S

(12) **United States Design Patent**
Julian et al.

(10) **Patent No.:** **US D706,429 S**
(45) **Date of Patent:** **** Jun. 3, 2014**

(54) **ORTHOPEDIC PRESSURE DEVICE**
(75) Inventors: **Dominic J. Julian**, Loveland, OH (US);
Jeremy J. Jacobs, Elsmere, KY (US)

2002/0077575	A1*	6/2002	Cox	602/26
2005/0070832	A1*	3/2005	Gaylord	602/26
2007/0169378	A1	7/2007	Sodeberg	
2008/0066272	A1	3/2008	Hammerslag	
2009/0062709	A1*	3/2009	Chiang	602/26
2012/0238927	A1*	9/2012	Chiang	602/26

(73) Assignee: **3M Innovative Properties Company**,
St. Paul, MN (US)

FOREIGN PATENT DOCUMENTS

(**) Term: **14 Years**

JP	2002-291956	10/2002
WO	2012-003396	1/2012

(21) Appl. No.: **29/424,973**

* cited by examiner

(22) Filed: **Jun. 18, 2012**

Primary Examiner — Eric Goodman

(51) **LOC (10) Cl.** **24-01**

Assistant Examiner — Jennifer Watkins

(52) **U.S. Cl.**

(74) *Attorney, Agent, or Firm* — Irina Hass

USPC **D24/190**

(58) **Field of Classification Search**

(57) **CLAIM**

USPC D24/189, 190, 192; 602/26, 23, 5, 42,
602/75; 2/910, 24; D29/100, 121.1

The ornamental design for an orthopedic pressure device, as shown and described.

See application file for complete search history.

DESCRIPTION

(56) **References Cited**

FIG. 1 is a perspective view of an orthopedic pressure device showing the new design;

U.S. PATENT DOCUMENTS

FIG. 2 is a top view thereof;

4,370,978	A	2/1983	Palumbo	
4,466,428	A *	8/1984	McCoy	602/26
D385,358	S *	10/1997	Carlson	D24/192
D402,424	S *	12/1998	Jackson	D29/122
6,080,124	A	6/2000	Falk	
D451,645	S *	12/2001	Slautterback	D29/121.1
D462,772	S *	9/2002	Lamping et al.	D24/190
6,485,448	B2	11/2002	Lamping	
D472,679	S *	4/2003	Burington	D29/121.1
6,641,549	B2	11/2003	Darcey	
6,755,800	B2	6/2004	Weaver, II	
D500,137	S *	12/2004	Hely	D24/190
6,988,281	B1 *	1/2006	Jerome et al.	2/24
D548,350	S *	8/2007	Jordan et al.	D24/190

FIG. 3 is a bottom view thereof;

FIG. 4 is a side view thereof, the opposing side being a mirror image thereof;

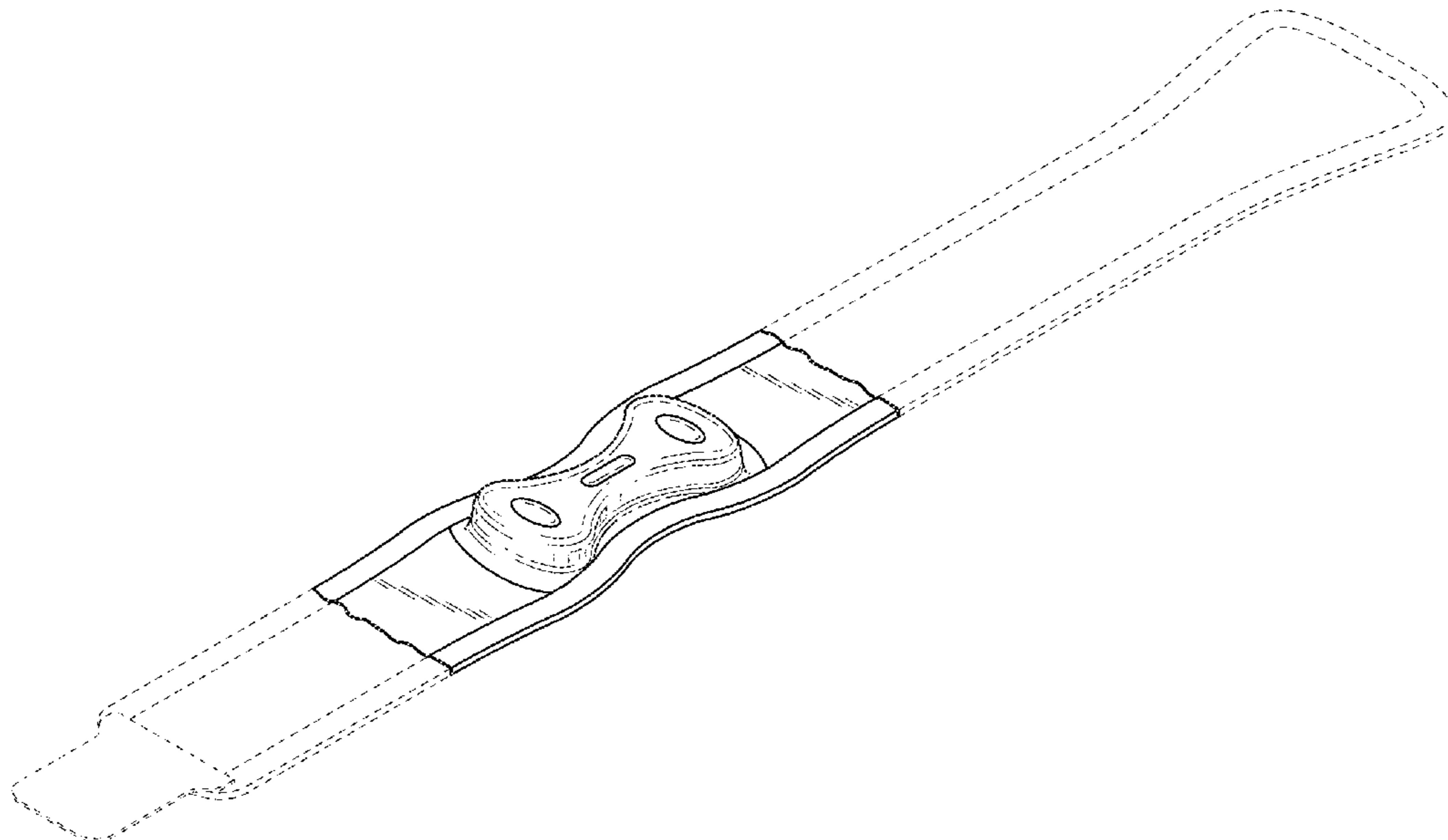
FIG. 5 is a front view thereof;

FIG. 6 is a rear view thereof; and,

FIG. 7 is another perspective view thereof.

The broken lines in the drawings are shown for illustrative purposes only and form no part of the claimed design. In addition, the surface shading illustrated in the drawings is provided merely to highlight the contour of design; it is not intended to be illustrative of texture or gloss.

1 Claim, 2 Drawing Sheets



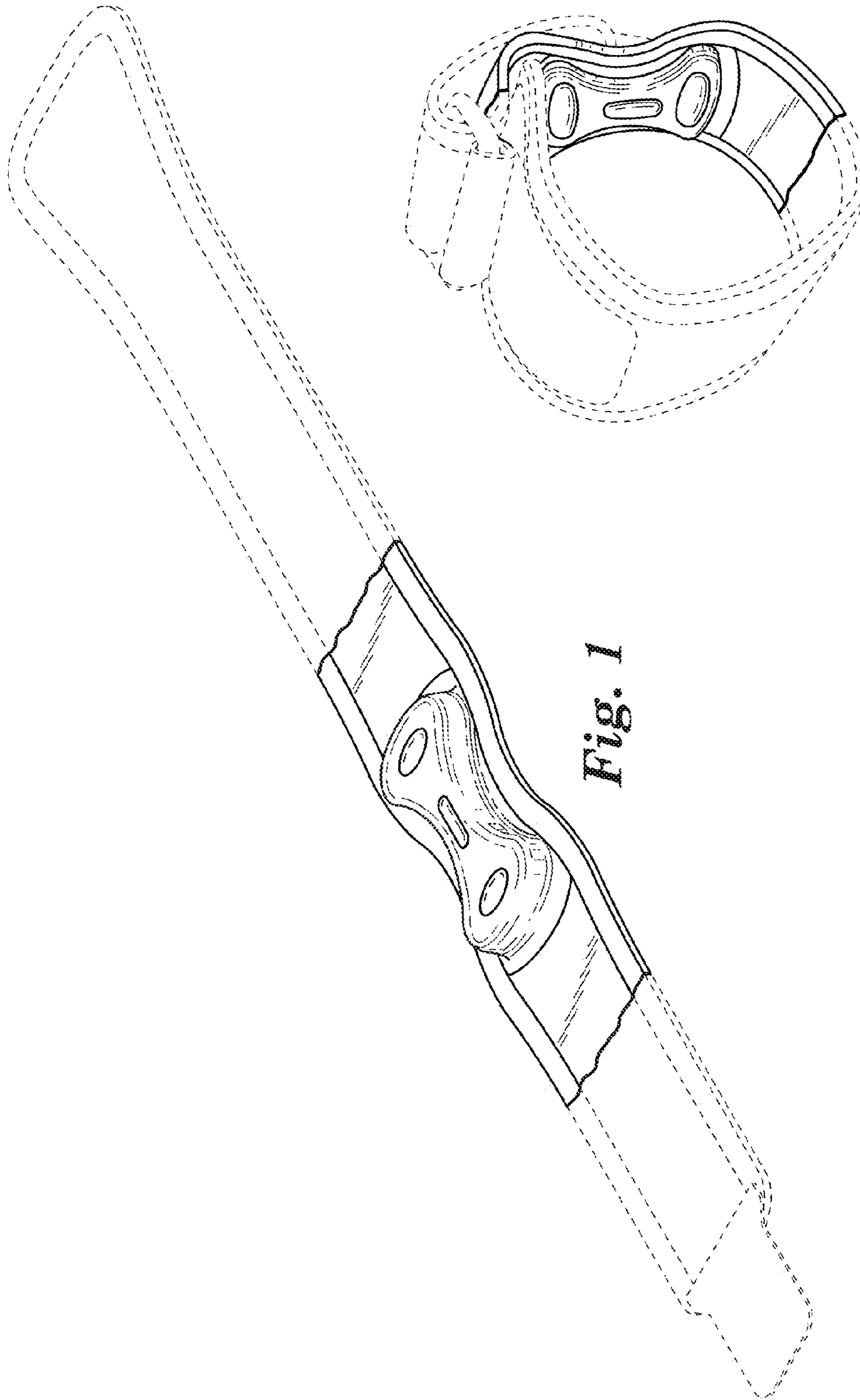


Fig. 1

Fig. 7

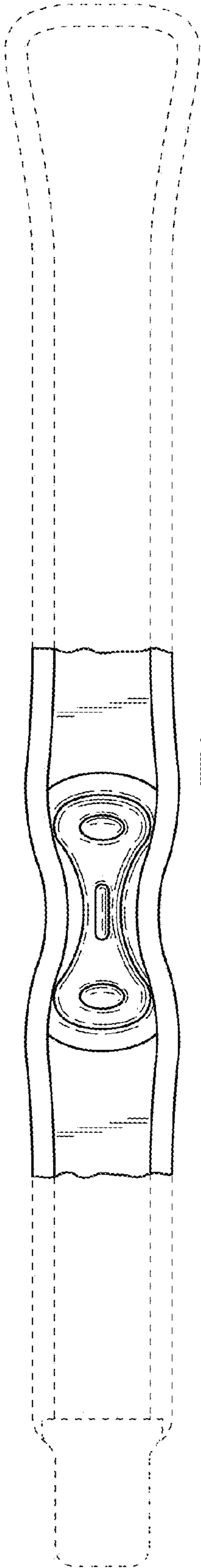


Fig. 2

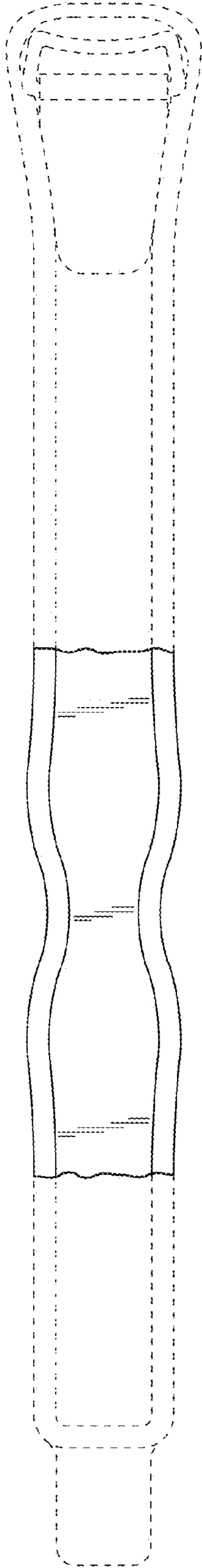


Fig. 3

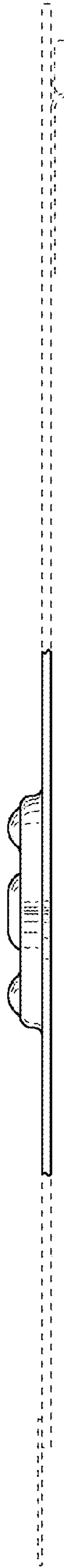


Fig. 4

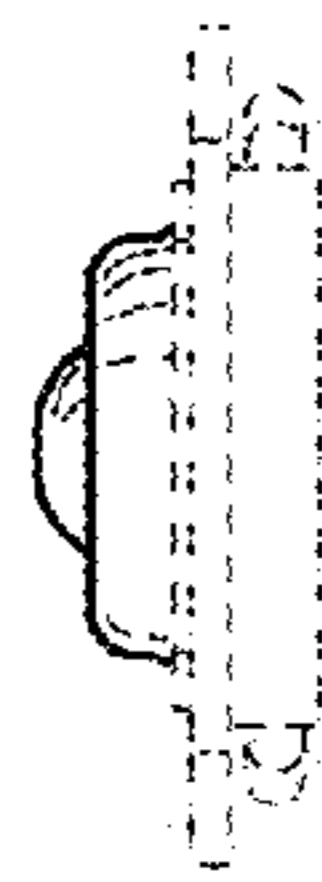


Fig. 5

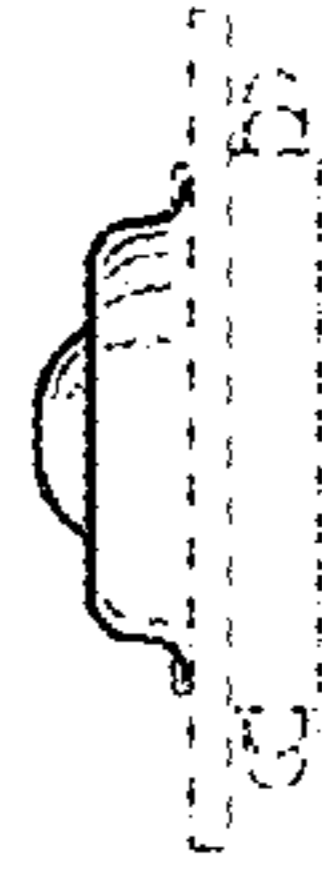


Fig. 6