



US00D706427S

(12) **United States Design Patent**
Leng et al.

(10) **Patent No.:** **US D706,427 S**
(45) **Date of Patent:** **** Jun. 3, 2014**

- (54) **ENDBOARD FOR A PATIENT BED**
- (71) Applicant: **Hill-Rom Services Pte. Ltd.**, Singapore (SG)
- (72) Inventors: **Wai Hoong Leng**, Cheras Selangor (MY); **PhanHow Amy Cheng**, Singapore (SG); **Deny Barilea**, Singapore (SG)
- (73) Assignee: **Hill-Rom Services Pte. Ltd.**, Singapore (SG)
- (**) Term: **14 Years**
- (21) Appl. No.: **29/467,700**
- (22) Filed: **Sep. 23, 2013**
- (51) **LOC (10) Cl.** **24-01**
- (52) **U.S. Cl.**
USPC **D24/183**
- (58) **Field of Classification Search**
USPC D24/183-184, 200; D6/595-596, 601, D6/604-605, 429, 391-392, 503, 610; 5/600, 616-621, 632, 611, 613, 524, 5/430; 601/11, 652-654; 180/19.3
See application file for complete search history.

- 5,299,338 A 4/1994 Foster
- 5,377,371 A 1/1995 Foster
- 5,396,673 A 3/1995 Foster
- 5,398,359 A 3/1995 Foster

(Continued)

OTHER PUBLICATIONS

No. 21-75 Grouping/Early American finished in No. 28 Maple, Hill-Rom, 1962, 1 page.

(Continued)

Primary Examiner — T. Chase Nelson

Assistant Examiner — Mark Cavanna

(74) *Attorney, Agent, or Firm* — Barnes & Thornburg LLP

(57) **CLAIM**

The ornamental design for an endboard for a patient bed, as shown and described.

DESCRIPTION

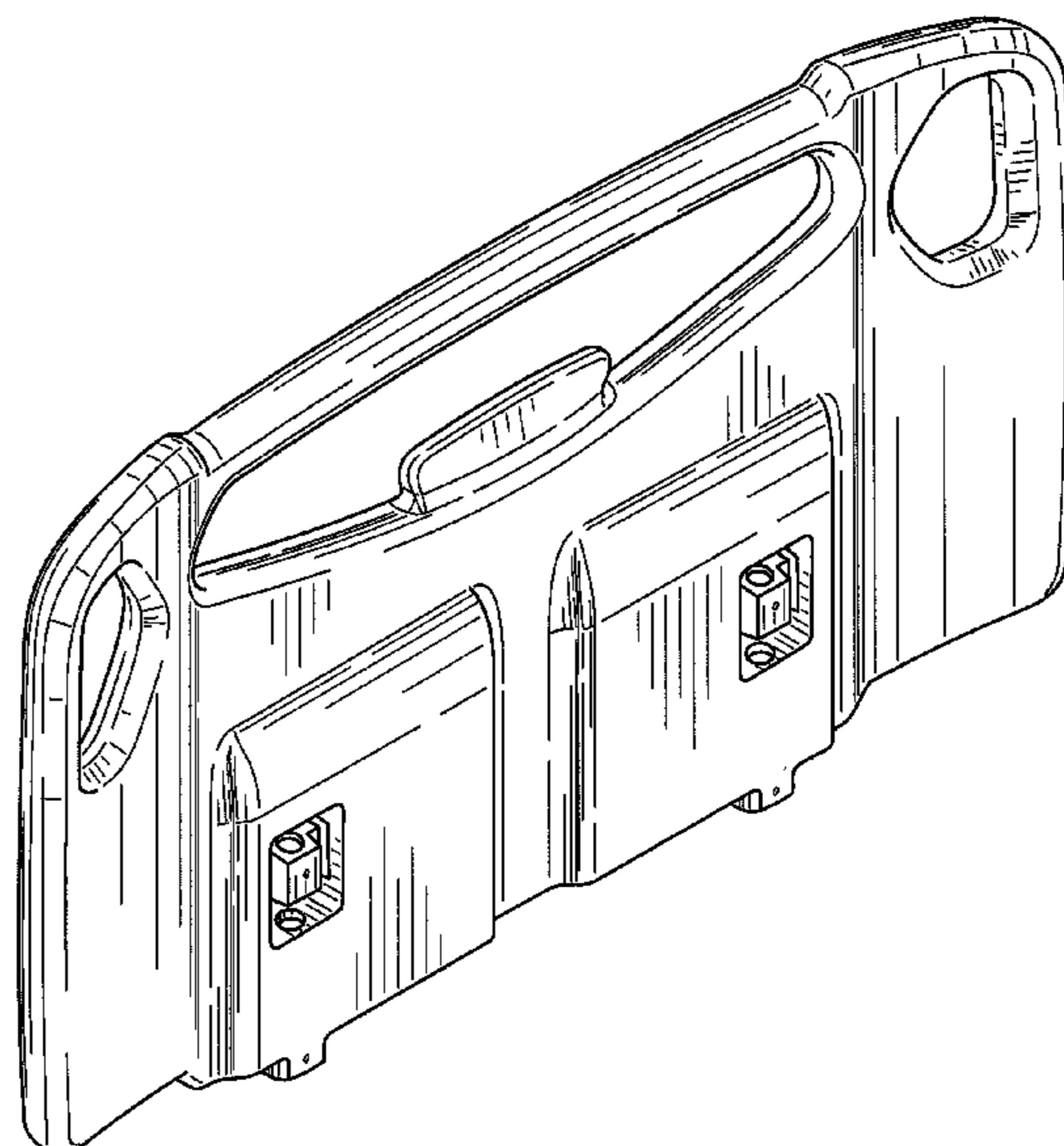
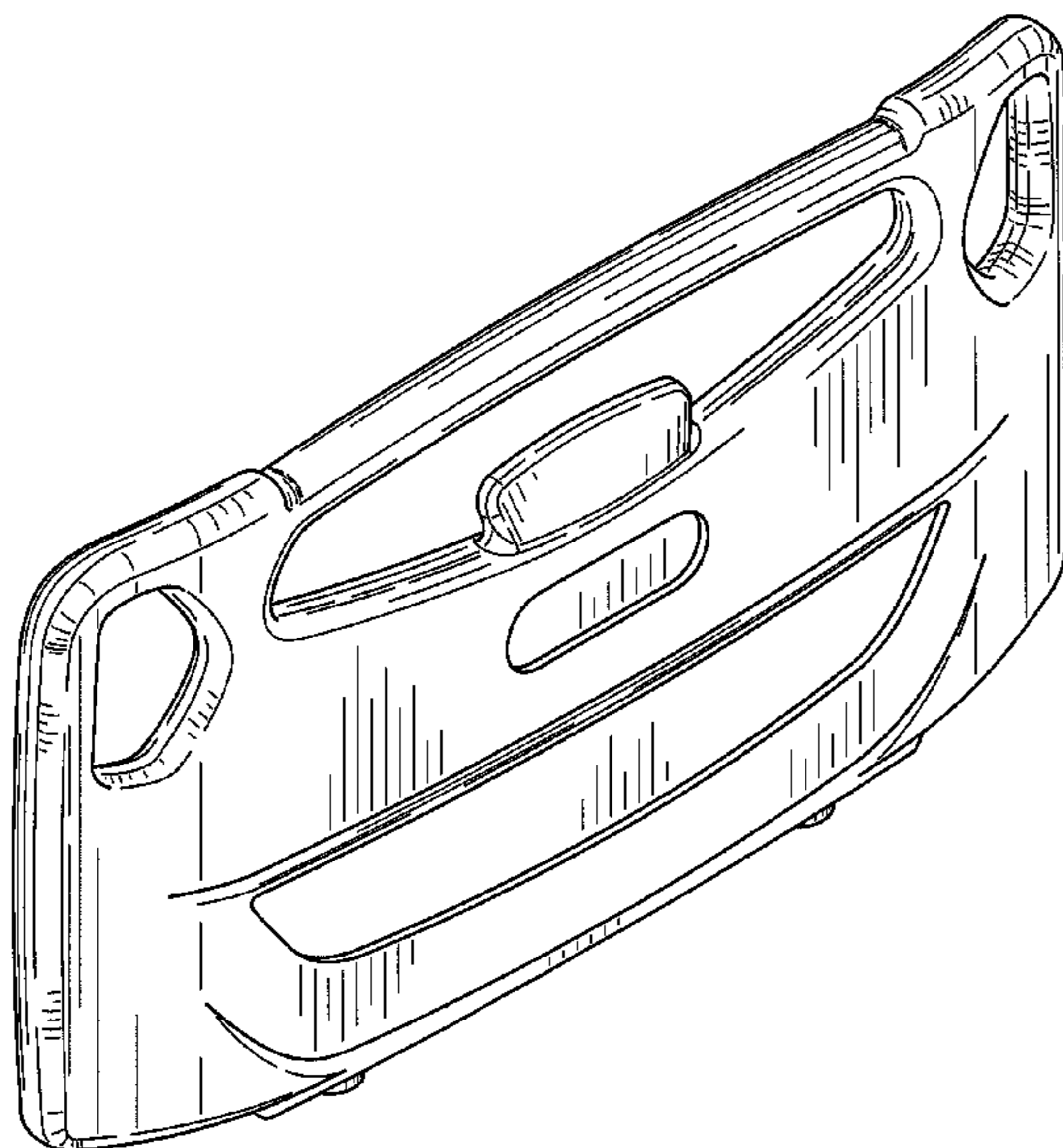
FIG. 1 is a top front perspective view of an endboard for a patient bed showing our new design;
 FIG. 2 is a top rear perspective view of the endboard of FIG. 1;
 FIG. 3 is a bottom front perspective view of the endboard of FIG. 1;
 FIG. 4 is a bottom rear perspective view of the endboard of FIG. 1;
 FIG. 5 is a front elevation view of the endboard of FIG. 1;
 FIG. 6 is a rear elevation view of the endboard of FIG. 1;
 FIG. 7 is a first side elevation view of the endboard of FIG. 1;
 FIG. 8 is a second side elevation view of the endboard of FIG. 1;
 FIG. 9 is a top plan view of the endboard of FIG. 1; and,
 FIG. 10 is a bottom plan view of the endboard of FIG. 1.

1 Claim, 6 Drawing Sheets

(56) **References Cited**

U.S. PATENT DOCUMENTS

- 1,700,338 A 1/1929 Scoggins
- D158,433 S 5/1950 Bevelacqua
- D229,381 S * 11/1973 Benoit D24/183
- 3,930,273 A * 1/1976 Stern 5/430
- 3,971,083 A * 7/1976 Peterson 5/430
- D276,112 S * 10/1984 Ferrell et al. D6/503
- 4,724,555 A 2/1988 Poehner et al.
- 4,811,435 A 3/1989 Foster et al.
- D301,411 S 6/1989 Schlapp
- 5,072,906 A 12/1991 Foster



(56)

References Cited

U.S. PATENT DOCUMENTS

5,455,975 A 10/1995 Foster
 6,240,580 B1 6/2001 Hamilton et al.
 6,363,552 B1 4/2002 Hornbach et al.
 D458,481 S 6/2002 Brooke
 D459,119 S 6/2002 Brooke
 D463,179 S 9/2002 Brooke
 D479,070 S 9/2003 Goodwin et al.
 6,622,364 B2 9/2003 Hamilton et al.
 6,640,360 B2 11/2003 Hornbach et al.
 D488,941 S 4/2004 Lemire et al.
 D488,942 S 4/2004 Lemire et al.
 6,721,975 B1 4/2004 Lemire
 6,779,209 B2 8/2004 Ganance
 6,951,036 B2 10/2005 Lemire
 7,073,220 B2 7/2006 Simmonds et al.
 7,076,818 B2 7/2006 Kummer et al.
 7,107,637 B2 9/2006 Kuek et al.
 D553,382 S 10/2007 Hayes et al.
 7,487,558 B2 2/2009 Risk, Jr. et al.
 7,644,457 B2 1/2010 Hensley et al.
 7,712,166 B2 5/2010 Stryker et al.
 D616,678 S 6/2010 Heimbrock et al.
 D616,679 S 6/2010 Heimbrock et al.
 D617,586 S 6/2010 Heimbrock et al.
 D617,587 S 6/2010 Heimbrock et al.
 D617,588 S 6/2010 Heimbrock et al.
 D617,589 S 6/2010 Heimbrock et al.
 7,761,939 B2 7/2010 Wiggins et al.
 7,784,125 B2 8/2010 Morin et al.
 D627,985 S * 11/2010 Salus D6/391
 7,836,531 B2 * 11/2010 Girard et al. 5/617
 D628,416 S 12/2010 Heimbrock et al.
 7,895,689 B2 3/2011 Hayes et al.
 7,930,778 B2 4/2011 Wu et al.
 D640,887 S 7/2011 Heimbrock et al.
 D641,195 S * 7/2011 Delong D6/610
 7,971,291 B2 7/2011 Stryker et al.

7,986,242 B2 7/2011 Dixon et al.
 8,143,846 B2 3/2012 Herman et al.
 8,205,280 B2 6/2012 Hensley et al.
 8,266,741 B2 9/2012 Penninger et al.
 8,296,884 B2 10/2012 Heimbrock
 8,341,777 B2 * 1/2013 Hensley et al. 5/424
 8,341,778 B2 1/2013 Heimbrock
 8,381,337 B2 2/2013 Zerhusen et al.
 8,387,179 B2 3/2013 Metz et al.
 8,413,270 B2 4/2013 Turner et al.
 2005/0172405 A1 * 8/2005 Menkedick et al. 5/618
 2006/0075560 A1 * 4/2006 Osborne et al. 5/618
 2006/0168729 A1 * 8/2006 Weismiller et al. 5/600
 2007/0130692 A1 * 6/2007 Lemire et al. 5/618
 2007/0163043 A1 * 7/2007 Lemire et al. 5/620
 2008/0005838 A1 * 1/2008 Wan Fong et al. 5/600
 2009/0031498 A1 * 2/2009 Girard et al. 5/616
 2009/0188731 A1 * 7/2009 Zerhusen et al. 5/600
 2011/0214234 A1 * 9/2011 Herman 5/600
 2012/0151678 A1 * 6/2012 Richards 5/613
 2013/0019405 A1 * 1/2013 Flanagan et al. 5/600

OTHER PUBLICATIONS

No. 16-75 Grouping/Italian Provincial finished in No. 69 Cathedral Oak, Hill-Rom, 1962, 1 page.
 No. 2101-1 Grouping/Early American finished in No. 28 Maple, Hill-Rom, 1962, 1 page.
 The Advance 2000® Bed from Hill-Rom , Hill-Rom 1993.
 A Hill-Rom Solution Affinity II Bed, Hill-Rom 1996.
 Affinity® Three Birthing Bed, Hill-Rom Services, Inc. 2000.
 TotalCare® Connect Bed and TotalCare® Bed, Options and Accessories, Hill-Rom Services, Inc. 2008.
 Hill-Rom® Med-Surg Beds Traction Catalog Part Descriptions and Ordering Information, Hill-Rom Services, Inc. 2007.
 User Manual TotalCare® Bed System from Hill-Rom, Product No. P1900-00, Hill-Rom Services, Inc. 2000.
 A Hill-Rom Solution Totalcare Bed System, Hill-Rom 1998.

* cited by examiner

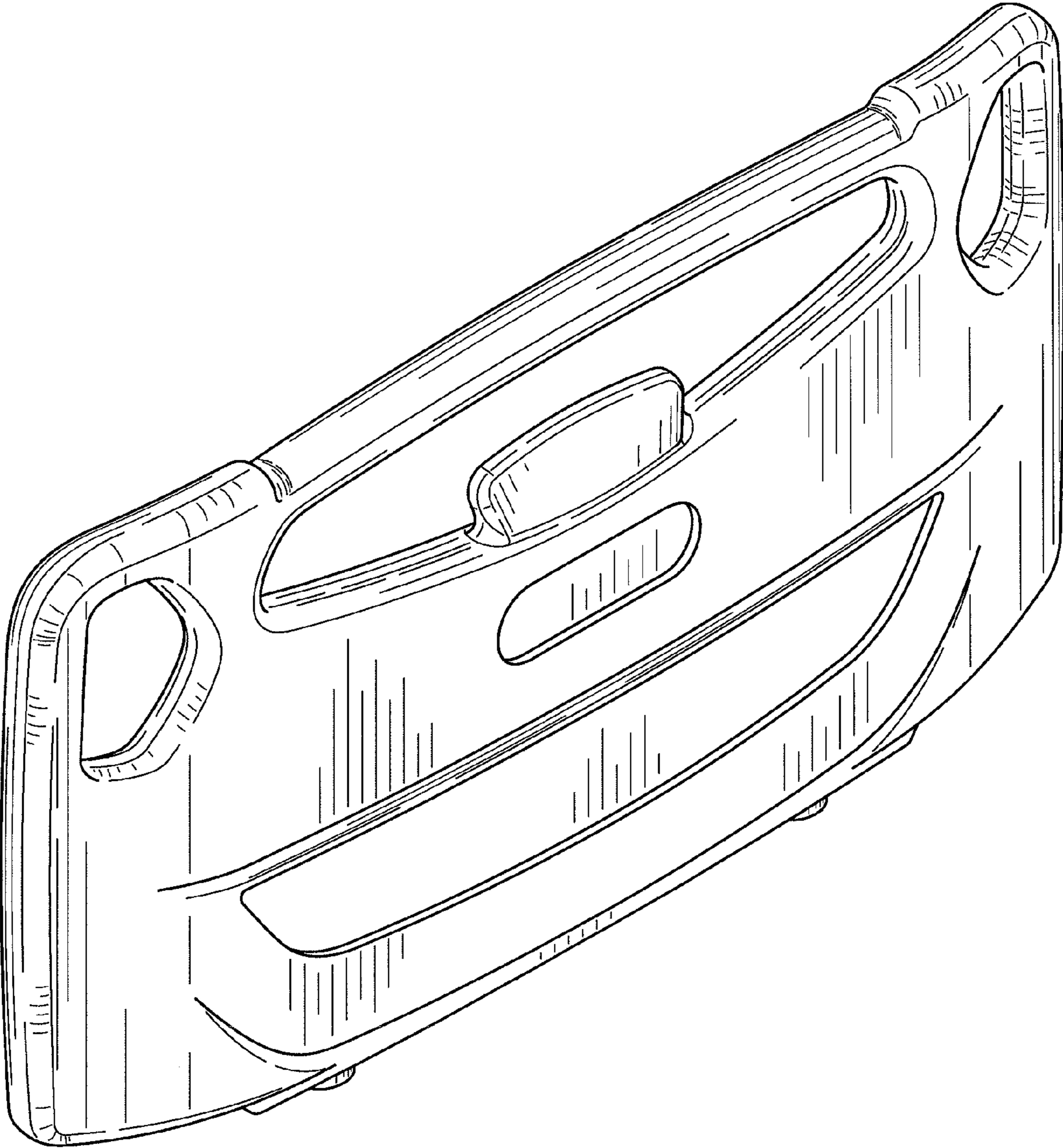


FIG. 1

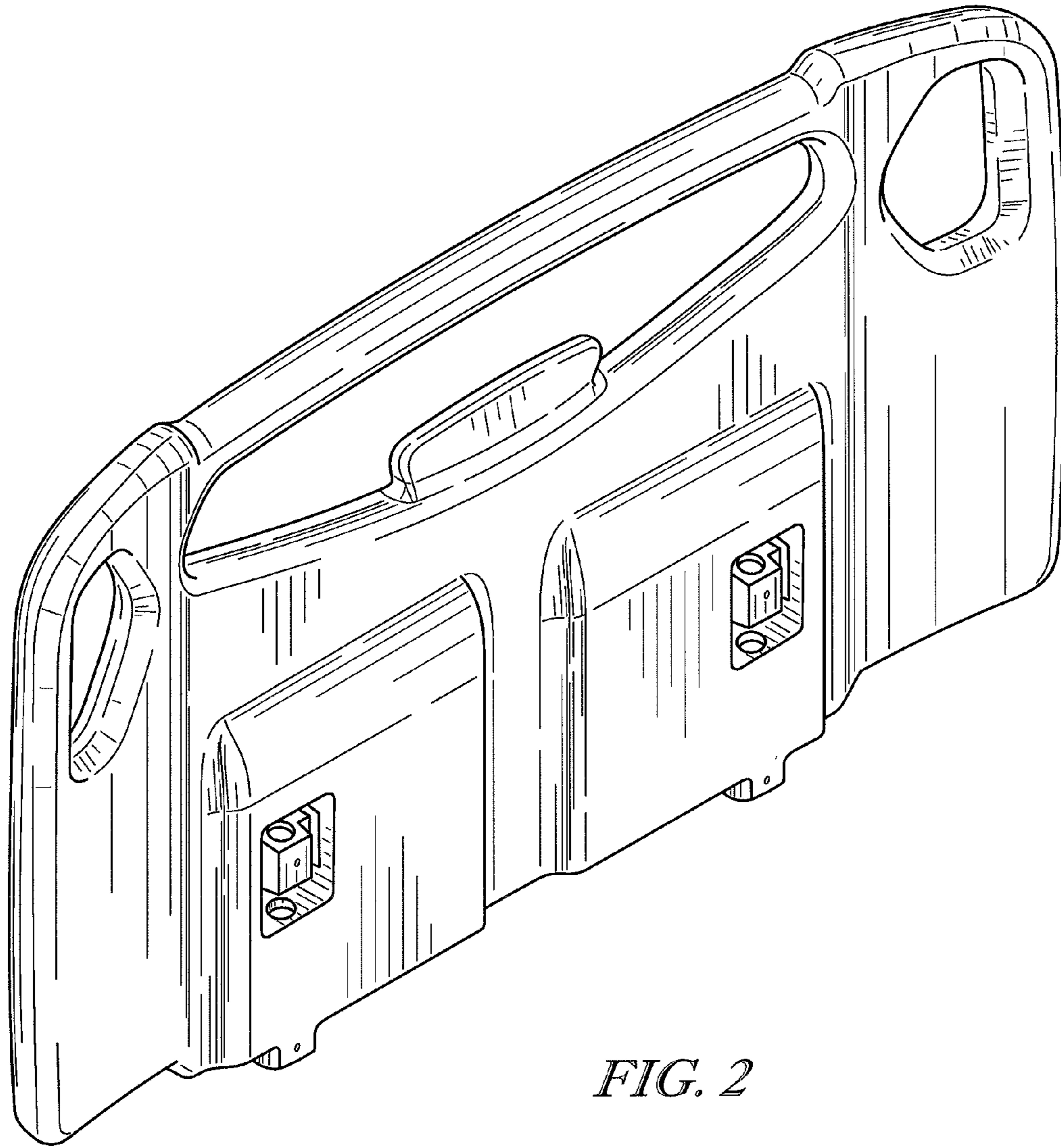


FIG. 2

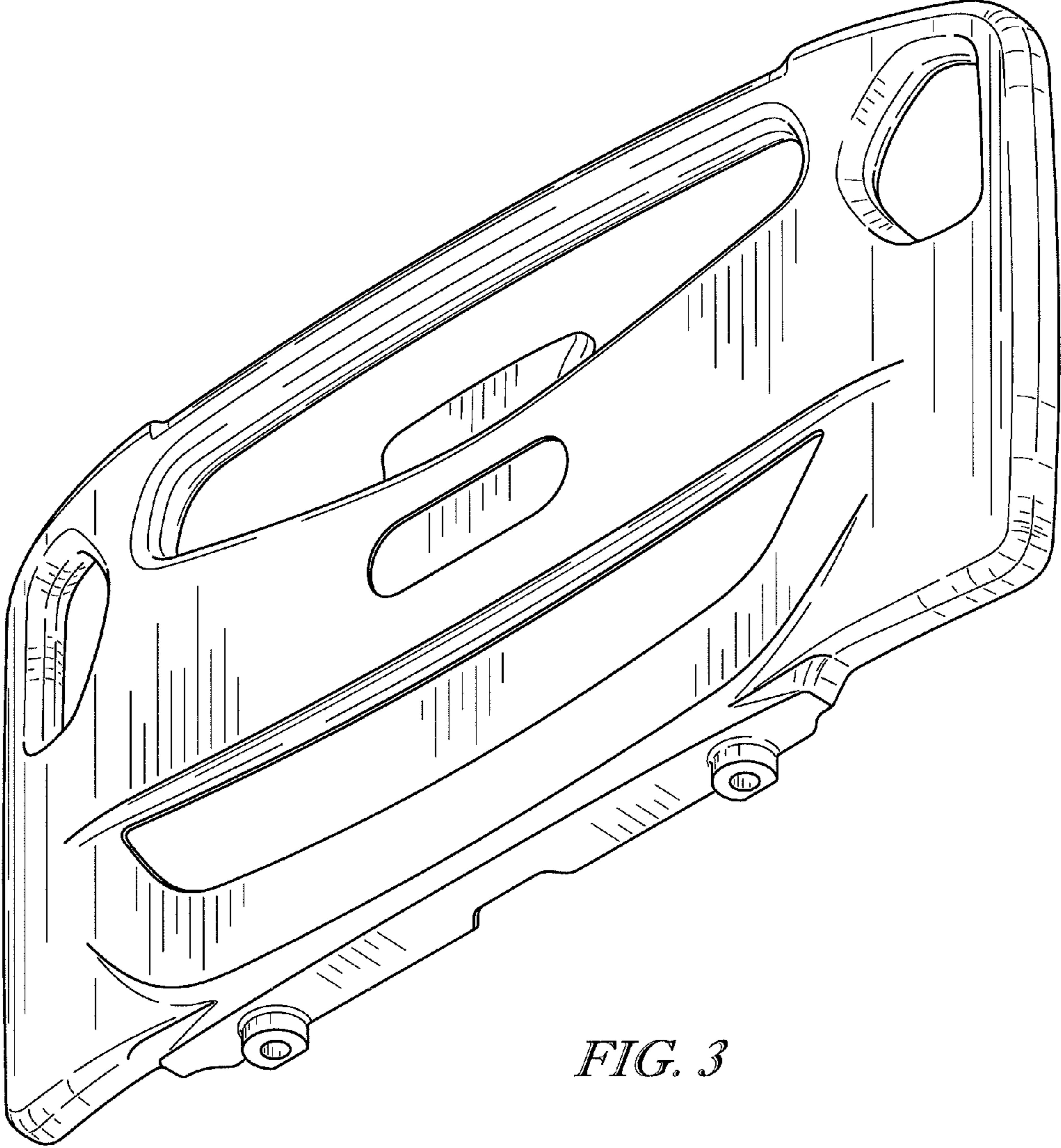


FIG. 3

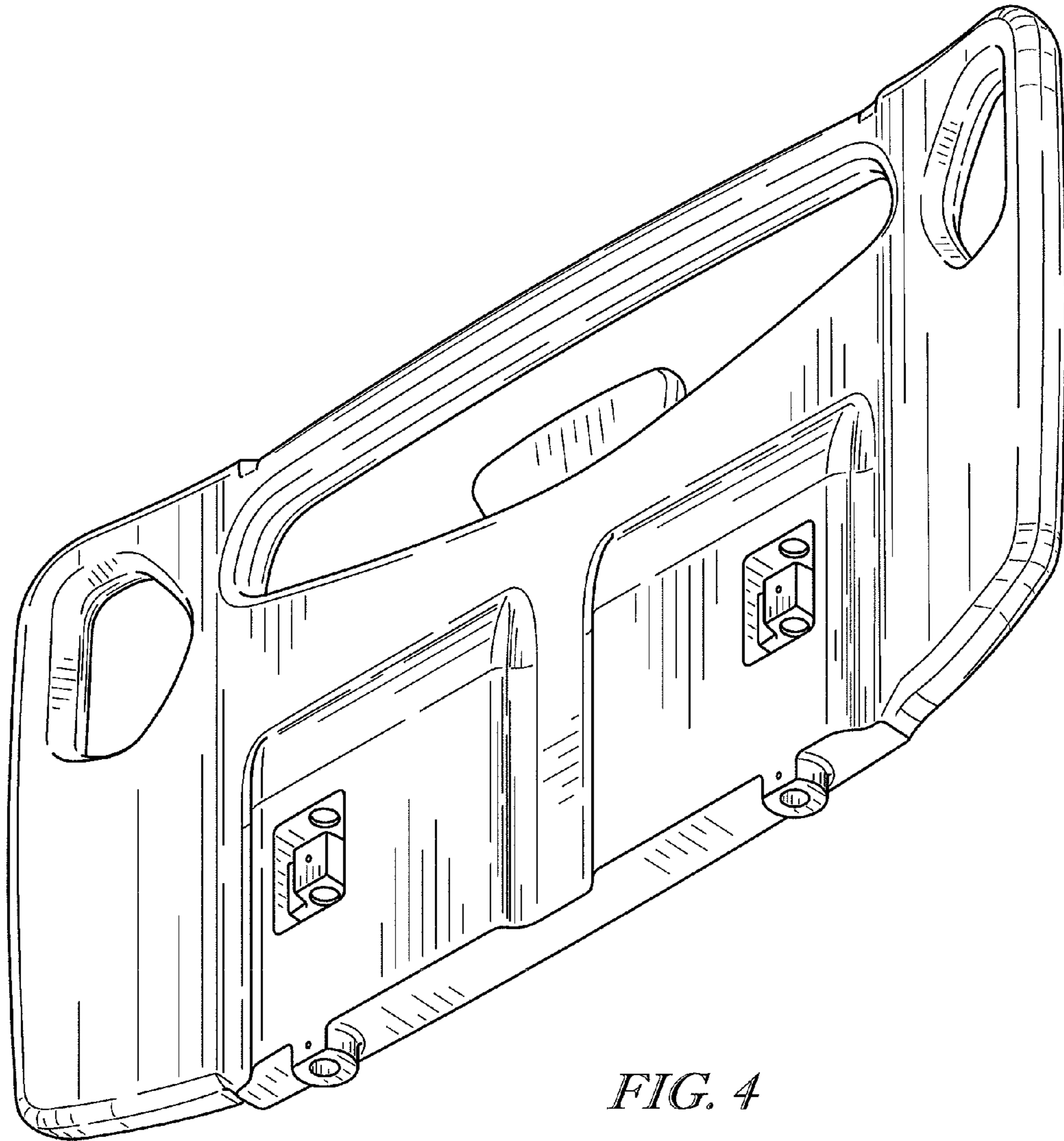


FIG. 4

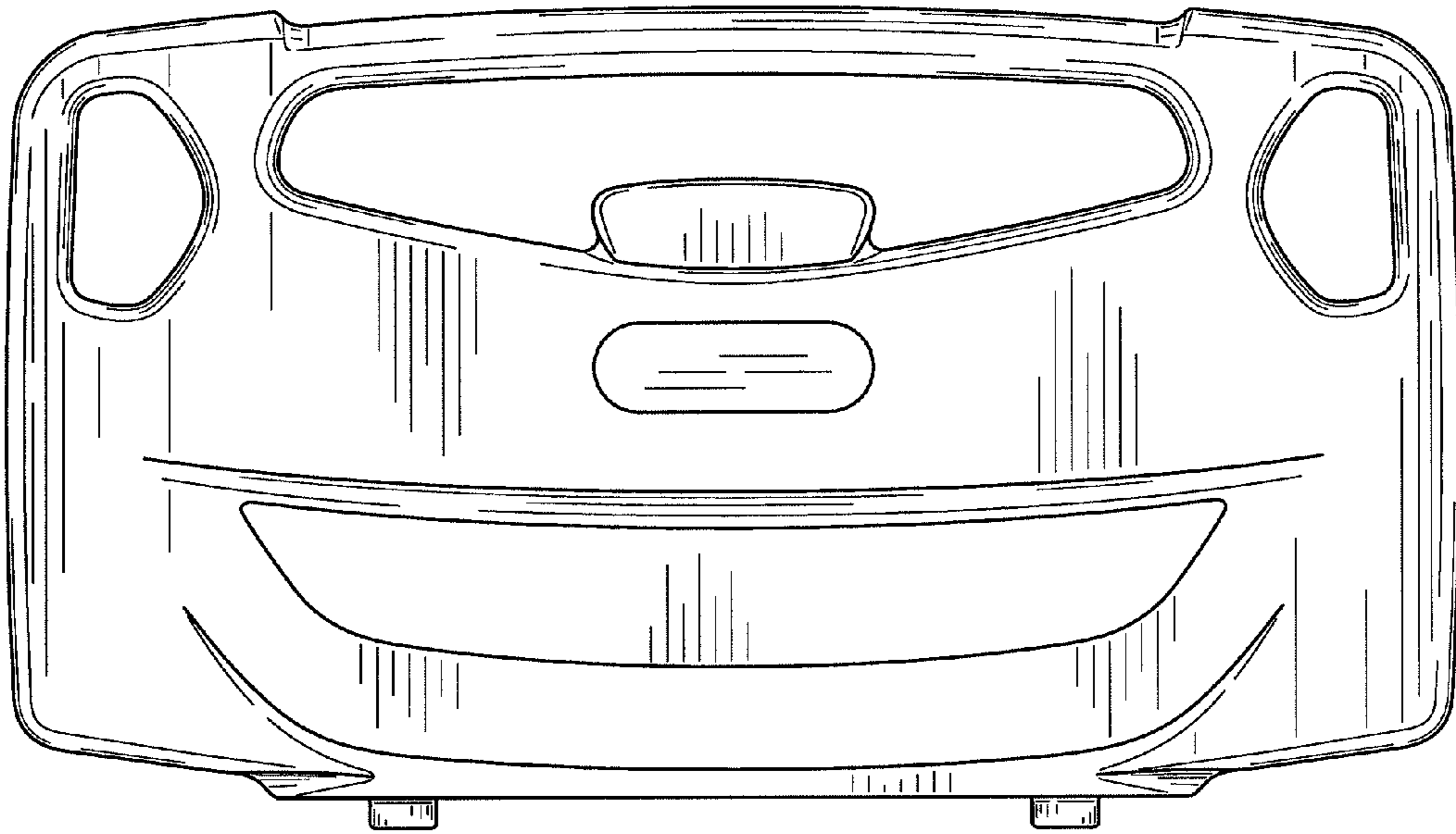


FIG. 5

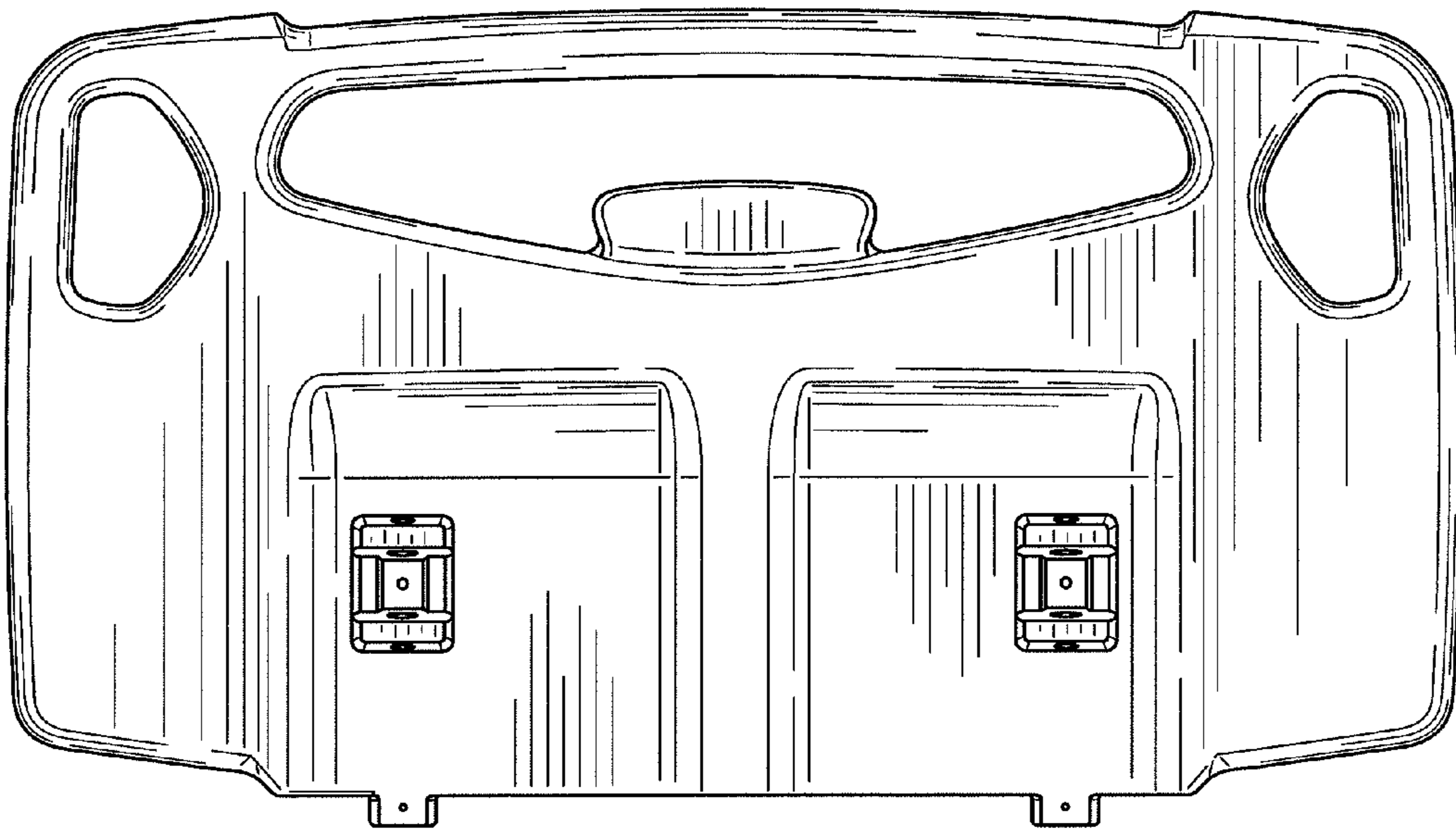


FIG. 6

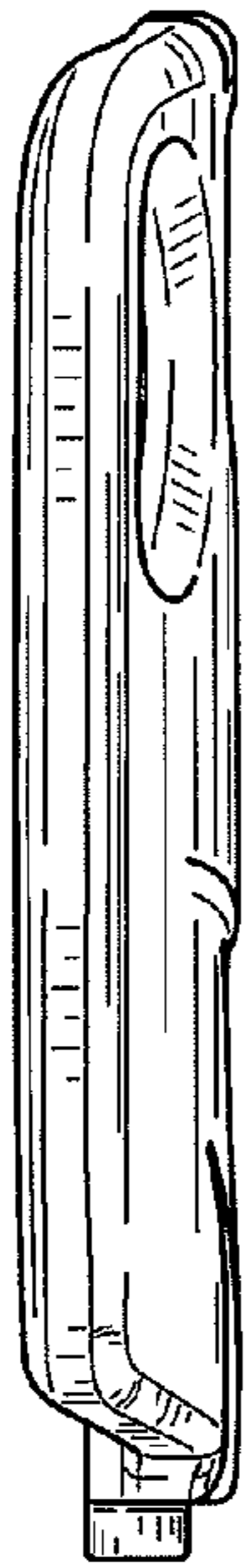


FIG. 7

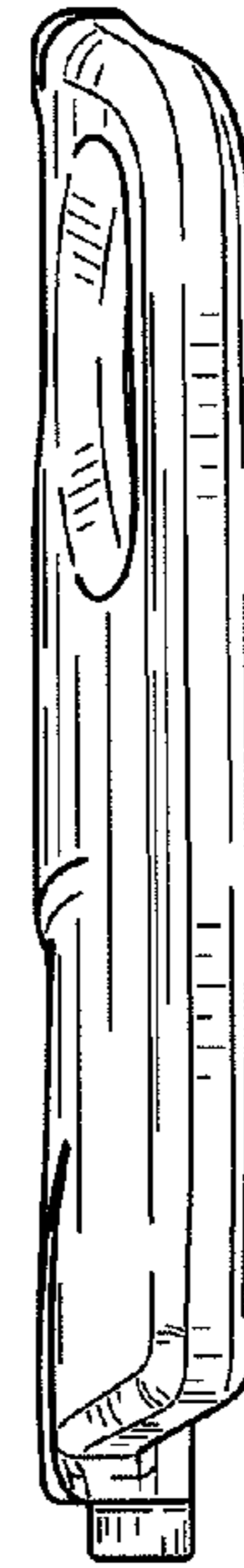


FIG. 8



FIG. 9

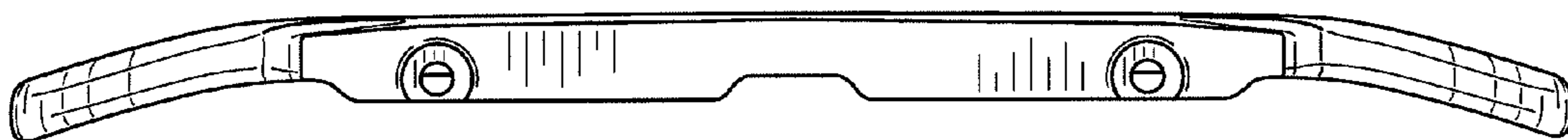


FIG. 10