



US00D706426S

(12) **United States Design Patent**
Crow et al.

(10) **Patent No.:** **US D706,426 S**
(45) **Date of Patent:** **** Jun. 3, 2014**

(54) **VETERINARY TABLE**
(75) Inventors: **Perry A. Crow**, Lawson, MO (US);
Lawrence H. Haake, Olathe, KS (US)

3,771,782 A 11/1973 Anderegg
4,003,341 A 1/1977 La Croix
D246,880 S * 1/1978 Miola D24/183

(Continued)

(73) Assignee: **Schroer Manufacturing Company**,
Kansas City, KS (US)

FOREIGN PATENT DOCUMENTS

GB 772032 4/1957

(**) Term: **14 Years**

OTHER PUBLICATIONS

(21) Appl. No.: **29/401,283**

U.S. Appl. No. 12/899,010, Schroer et al., filed Oct. 6, 2010.
Shor-Line, "Rediscover Quality", 2011 Product Catalog, CoJack-Plus Multi-Purpose Table, p. 35, this item was on sale in the United States more than one year prior to Sep. 9, 2011, the filing date of this application.

(22) Filed: **Sep. 9, 2011**

(51) **LOC (10) Cl.** **24-01**

(52) **U.S. Cl.**

USPC **D24/183**

(Continued)

(58) **Field of Classification Search**

USPC D24/183-185, 200, 158-159;
D6/595-596, 601, 604-605, 336-337,
D6/345, 369, 367, 428, 397, 418;
5/110-111, 431-437, 600-602,
5/639-640, 507.1, 611-614, 619;
601/11, 652-654; 108/27, 36, 57.25,
108/34, 43; 273/108, 108.1, 108.2, 309;
312/209; 463/46; 222/173; D21/397,
D21/341

Primary Examiner — T. Chase Nelson

Assistant Examiner — Mark Cavanna

(74) *Attorney, Agent, or Firm* — Stinson Leonard Street LLP

See application file for complete search history.

(57)

CLAIM

The ornamental design for a veterinary table, as shown and described.

(56) **References Cited**

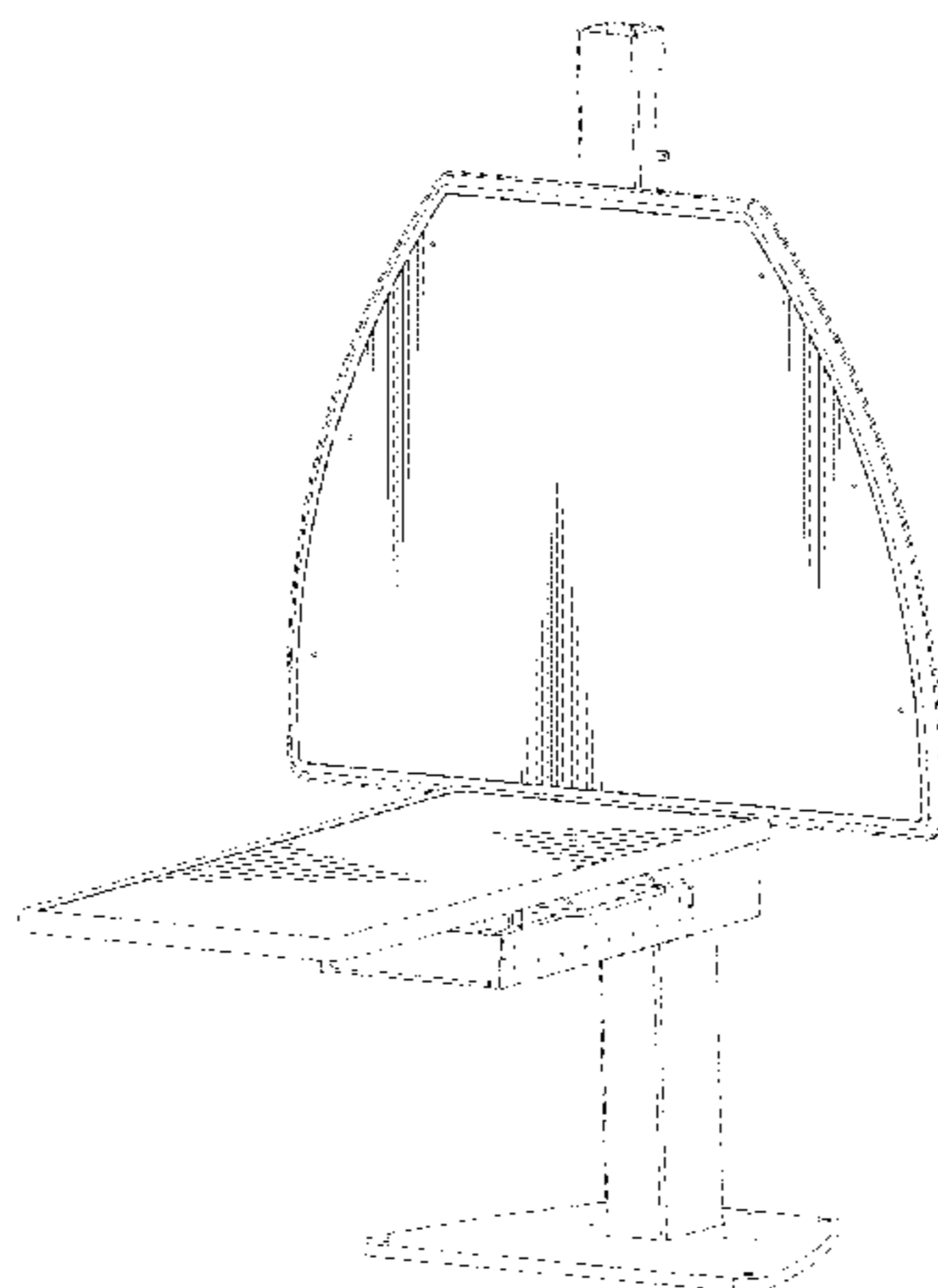
U.S. PATENT DOCUMENTS

1,166,018 A 12/1915 Soresi
1,648,631 A 11/1927 Austin
1,875,198 A * 8/1932 Nagai 273/108.2
1,947,801 A 2/1934 Russell
1,980,848 A 11/1934 Cass
2,471,884 A 5/1949 Monnot
2,504,697 A 4/1950 Kearsley
3,092,079 A 6/1963 Stebel et al.
3,120,836 A 2/1964 Brauning
3,217,672 A 11/1965 Haughey
3,285,207 A 11/1966 Vom Hagen
3,420,981 A 1/1969 Martinet
3,617,693 A 11/1971 Shimosawa
3,633,901 A 1/1972 Lindquist

DESCRIPTION

FIG. 1 is a front perspective view of the veterinary table;
FIG. 2 is a top plan view of the veterinary table of FIG. 1;
FIG. 3 is a front elevational view of the veterinary table of FIG. 1;
FIG. 4 is a right side elevational view of the veterinary table of FIG. 1;
FIG. 5 is a left side elevational view of the veterinary table of FIG. 1;
FIG. 6 is a bottom plan view of the veterinary table of FIG. 1;
and,
FIG. 7 is a rear elevational view of the veterinary table of FIG. 1.
The broken lines in the drawings form no part of the claimed design.

1 Claim, 7 Drawing Sheets



(56)

References Cited

U.S. PATENT DOCUMENTS

4,170,961	A	10/1979	Rosenberg et al.	
4,459,941	A	7/1984	Moffatt	
4,491,173	A	1/1985	Demand	
4,558,847	A	12/1985	Coates	
4,572,493	A	2/1986	Hubert	
D323,560	S *	1/1992	Boyce et al.	D24/184
D327,792	S *	7/1992	Tarlow	D6/428
D343,204	S *	1/1994	Schrumer et al.	D21/397
5,324,911	A	6/1994	Cranston et al.	
D362,060	S *	9/1995	Jacobs	D6/601
D368,935	S *	4/1996	Cone, Jr.	D21/341
5,833,200	A *	11/1998	Patterson	108/34
6,101,956	A	8/2000	Keil	
D439,670	S *	3/2001	Sommer	D24/183
D441,868	S *	5/2001	Rodenas Santiago	
			et al.	D24/183
D453,968	S *	2/2002	Zachrisson	D24/183
6,349,729	B1 *	2/2002	Meyer et al.	108/43
6,435,110	B1	8/2002	Keil	
7,004,465	B2 *	2/2006	Keith	273/108
7,073,464	B2	7/2006	Keil	
D541,549	S *	5/2007	Ng et al.	D6/397
D555,243	S *	11/2007	Linev	D24/158
7,373,676	B2	5/2008	Markovic et al.	
7,428,882	B2	9/2008	Keil	
D628,405	S *	12/2010	Pippin	D6/418
D632,795	S *	2/2011	Matrunola	D24/183
D663,428	S *	7/2012	Goransson et al.	D24/185
8,333,159	B2	12/2012	Schroer et al.	
2006/0230989	A1 *	10/2006	Haney et al.	108/57.25
2007/0039523	A1 *	2/2007	Helzer et al.	108/27
2007/0057450	A1 *	3/2007	Tsai	273/108.1
2007/0125314	A1	6/2007	Keil	
2007/0245977	A1	10/2007	Keil	
2008/0067750	A1 *	3/2008	Voden	273/309
2010/0222148	A1 *	9/2010	Kuhn et al.	463/46
2011/0132931	A1 *	6/2011	Wright	222/173

OTHER PUBLICATIONS

Shor-Line, "Rediscover Quality", 2011 Product Catalog, Mobile Animal Lift Table, p. 36, this item was on sale in the United States more than one year prior to Sep. 9, 2011, the filing date of this application.

Shor-Line, "Rediscover Quality", 2011 Product Catalog, Lift Exam Table, p. 36, this item was on sale in the United States more than one year prior to Sep. 9, 2011, the filing date of this application.

Shor-Line, "Rediscover Quality", 2011 Product Catalog, Shor-Line Classic Flat-Top Surgery Table, p. 43, this item was on sale in the United States more than one year prior to Sep. 9, 2011, the filing date of this application.

Shor-Line, "Rediscover Quality", 2011 Product Catalog, Shor-Line Classic V-Top Surgery Table, p. 43, this item was on sale in the United States more than one year prior to Sep. 9, 2011, the filing date of this application.

Groomer's Best, product information on "Fixed Exam Table", printed from the internet at <http://groomersbest.com/fixed-table/> on Oct. 6, 2011. This product information was available on the internet prior to Sep. 9, 2011, the filing date of this application.

Groomer's Best, product information on "Fold Up Exam Table", printed from the internet at <http://groomersbest.com/fold-up-exam-table/> on Oct. 6, 2011. This product information was available on the internet prior to Sep. 9, 2011, the filing date of this application.

Groomer's Best, product information on "Mobil Utility Table with Shelf", printed from the internet at <http://groomersbest.com/mobile-stainless-steel-table-with-shelf/> on Oct. 6, 2011. This product information was available on the internet prior to Sep. 9, 2011, the filing date of this application.

Groomer's Best, product information on "Foot Hydraulic or Electric Exam Table", printed from the internet at <http://groomersbest.com/foot-hydraulic-exam-table/> on Oct. 6, 2011. This product information was available on the internet prior to Sep. 9, 2011, the filing date of this application.

* cited by examiner

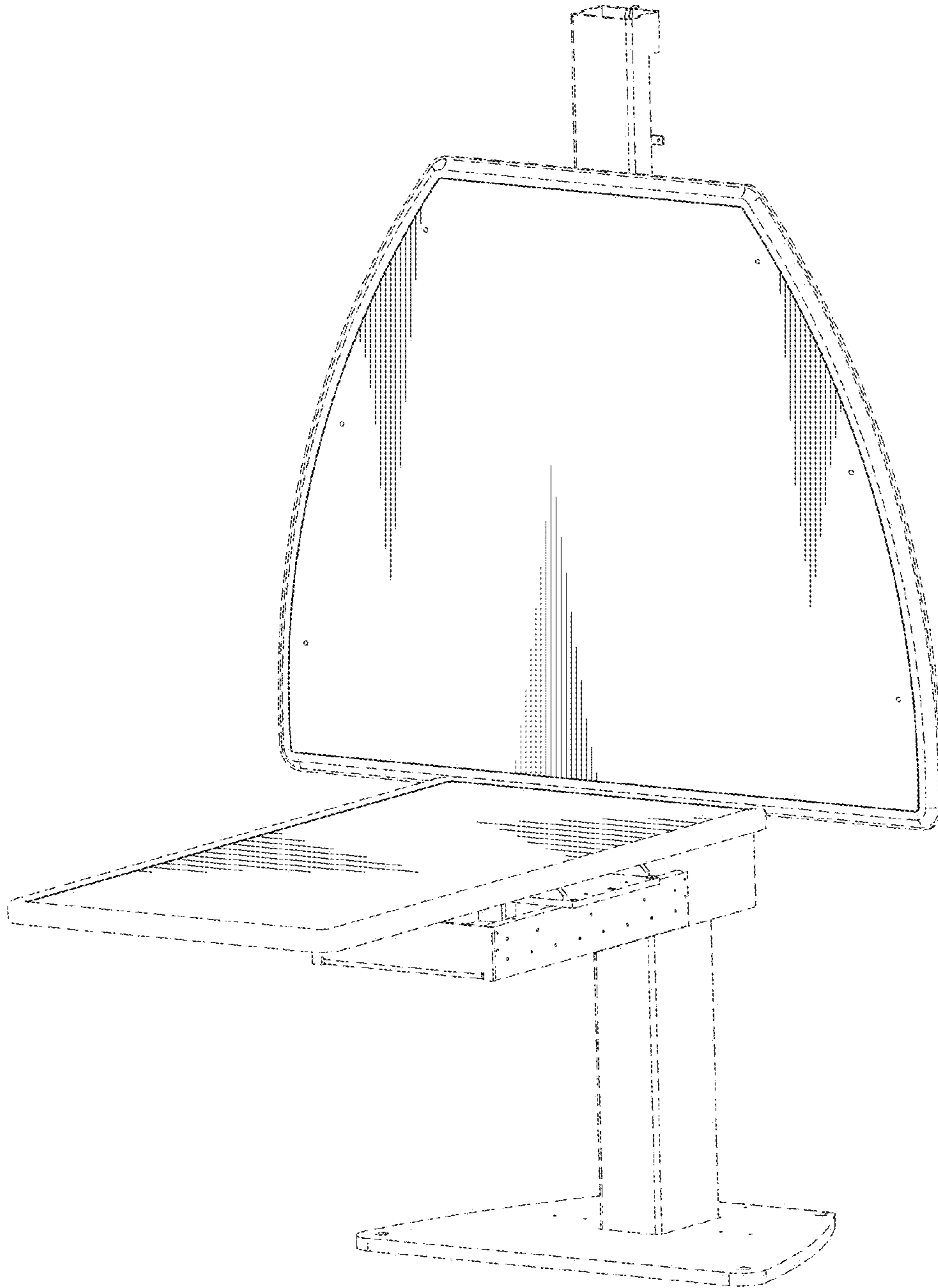


FIG. 1

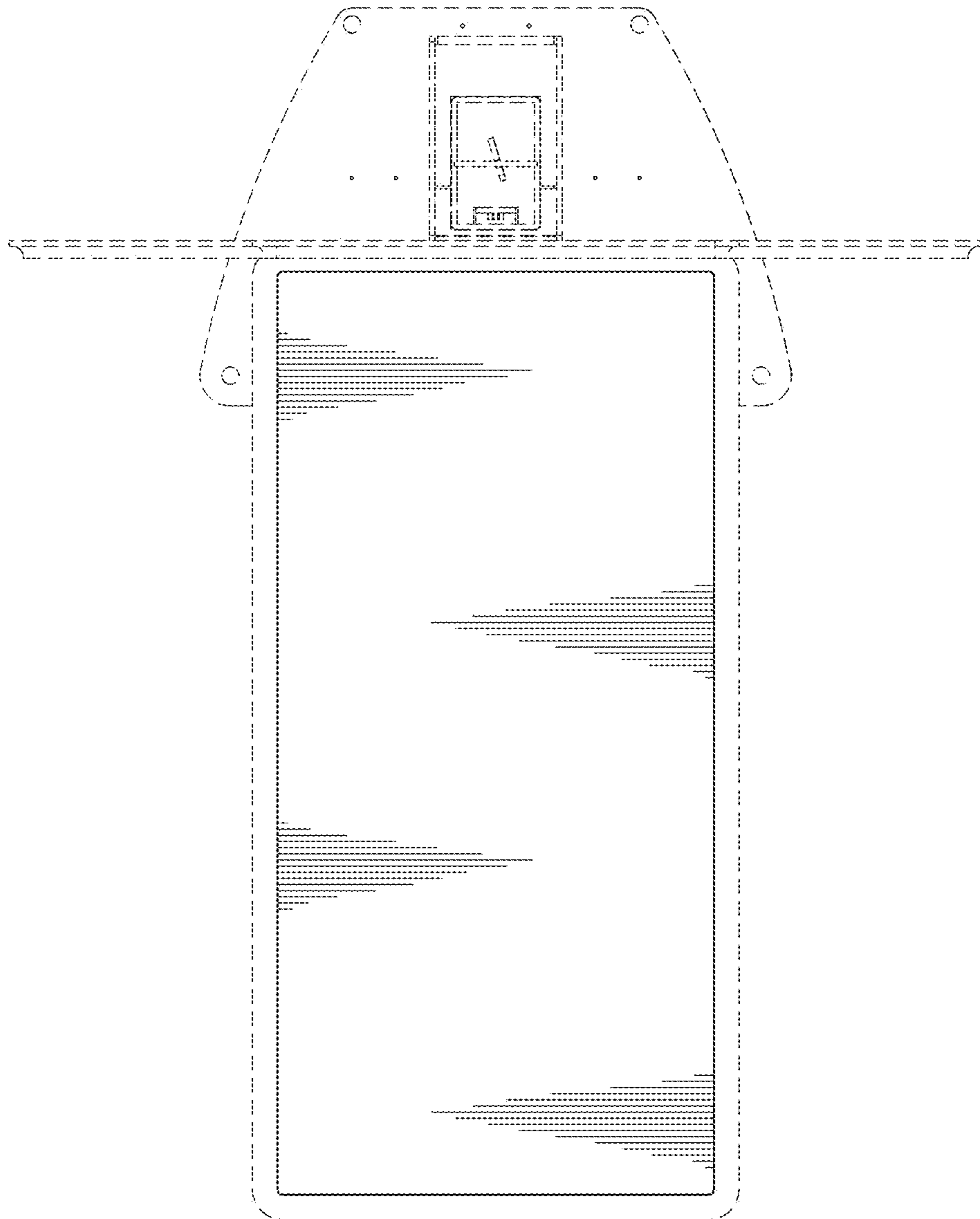


FIG. 2

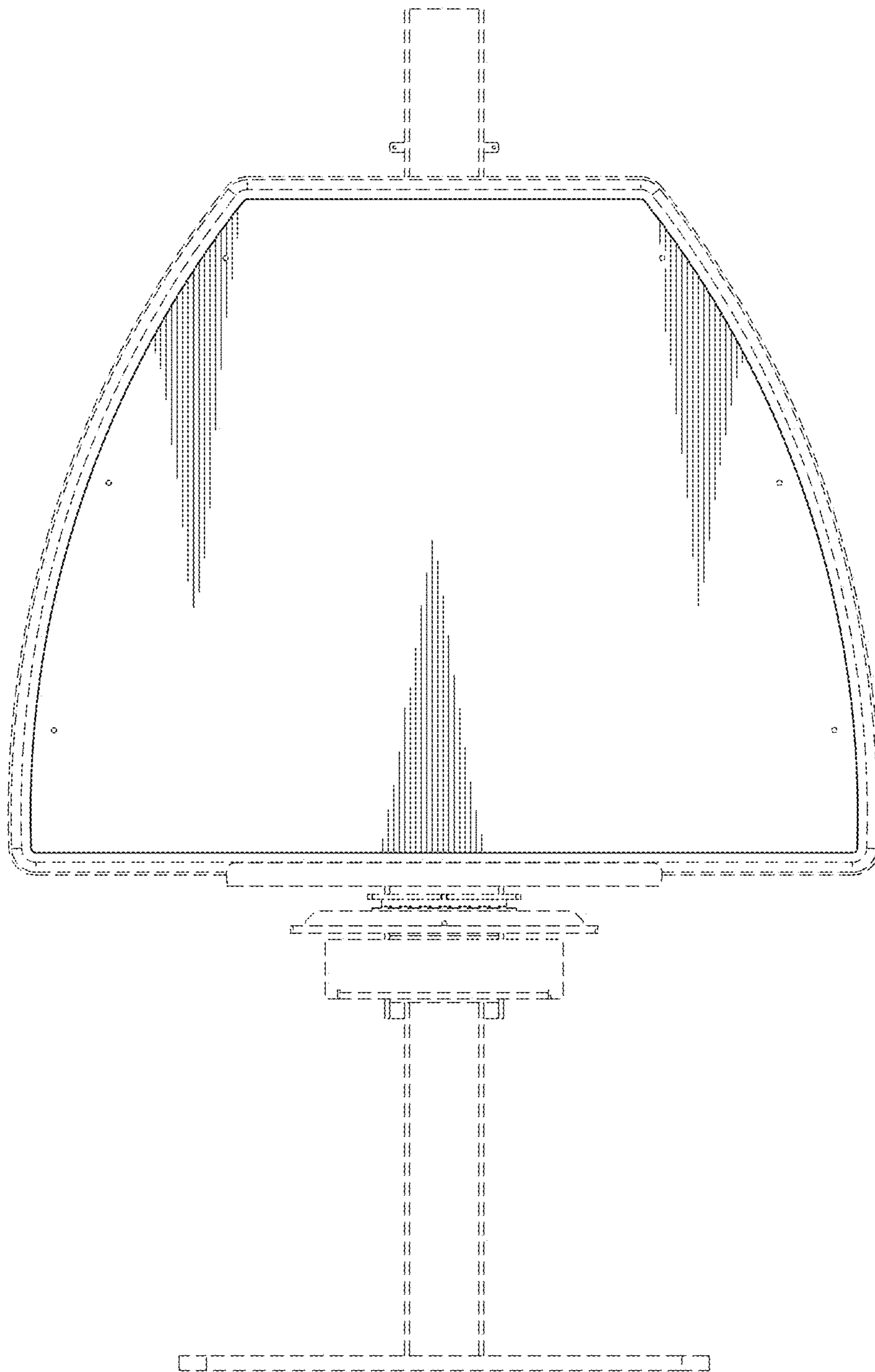


FIG. 3

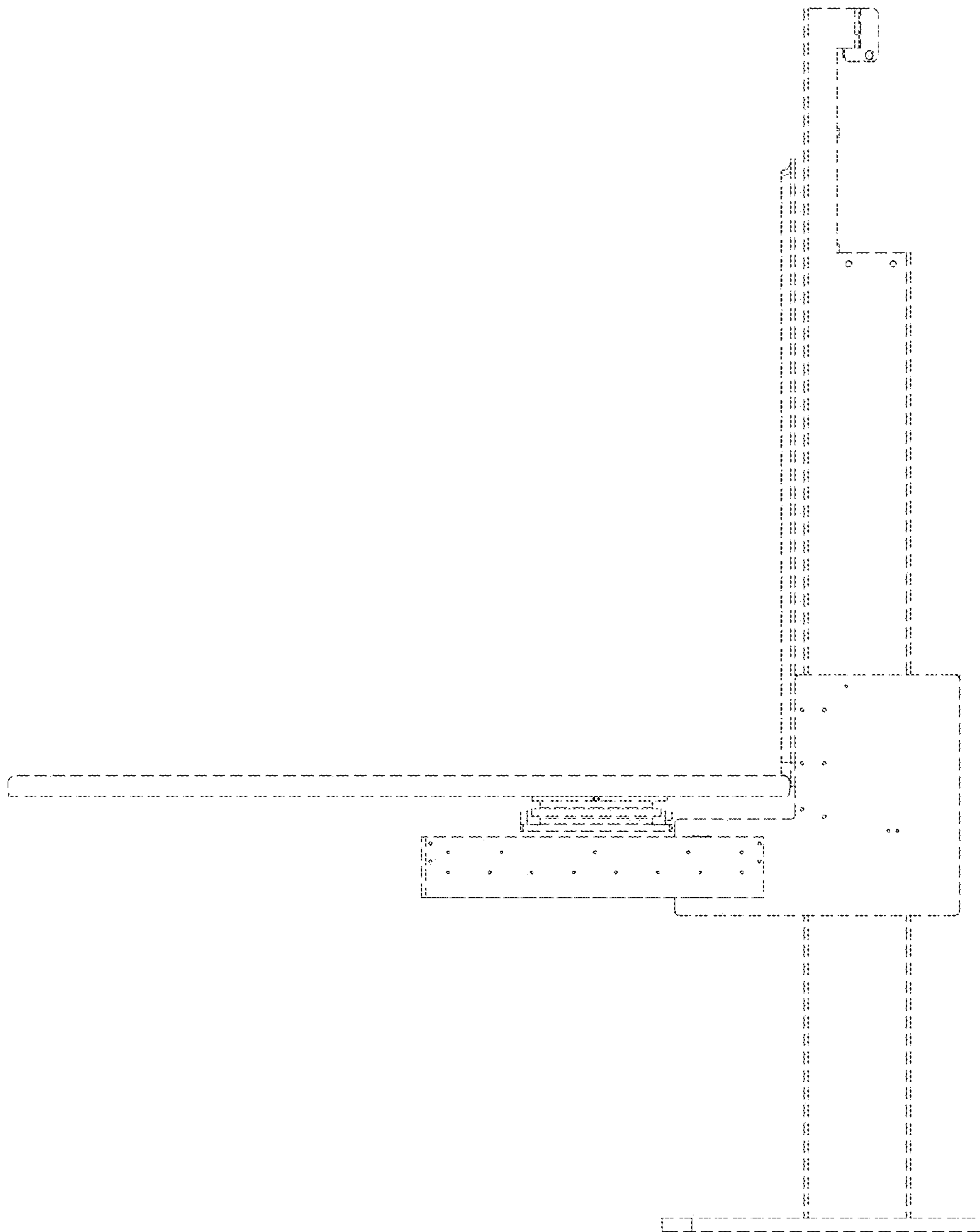


FIG. 4

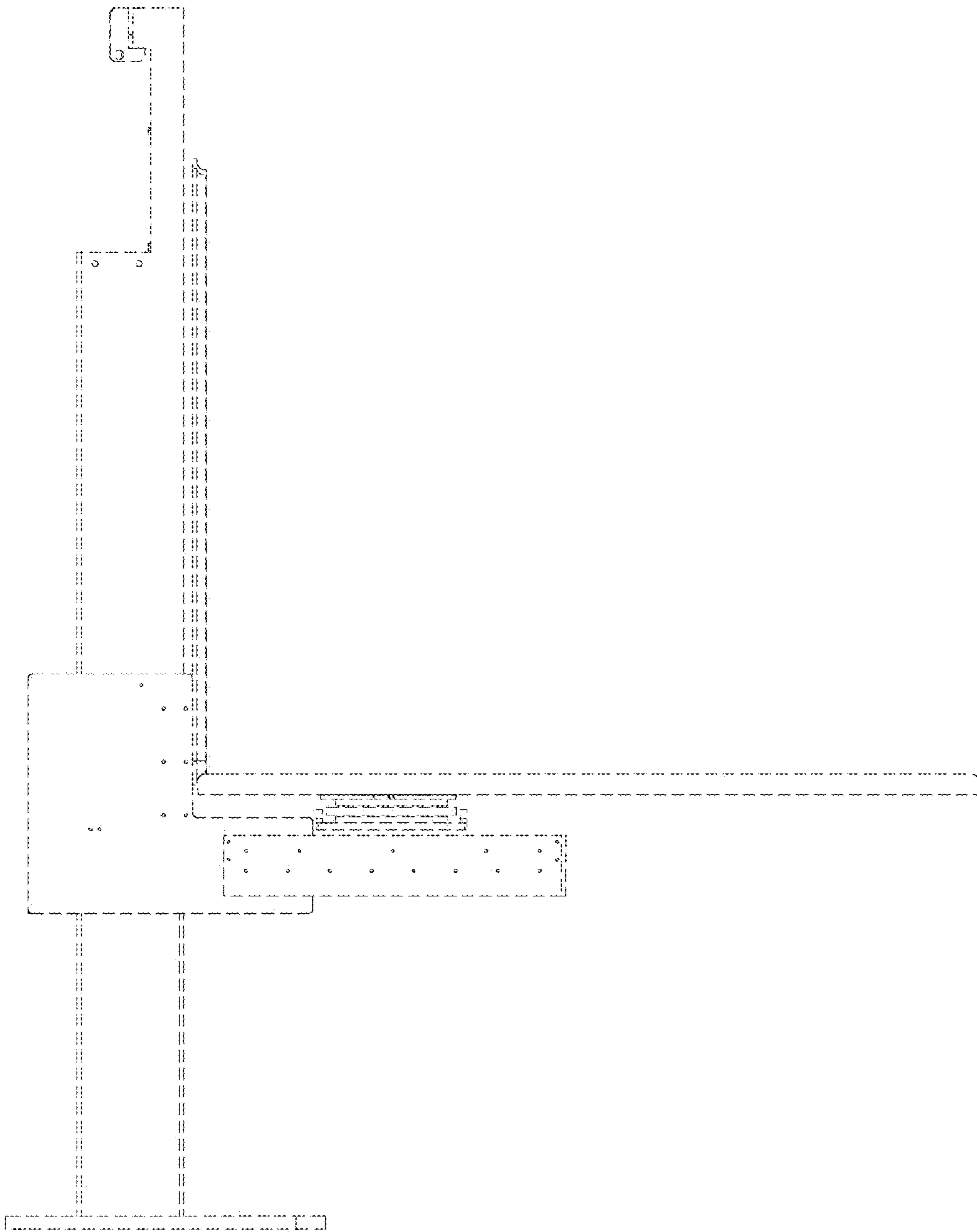


FIG. 5

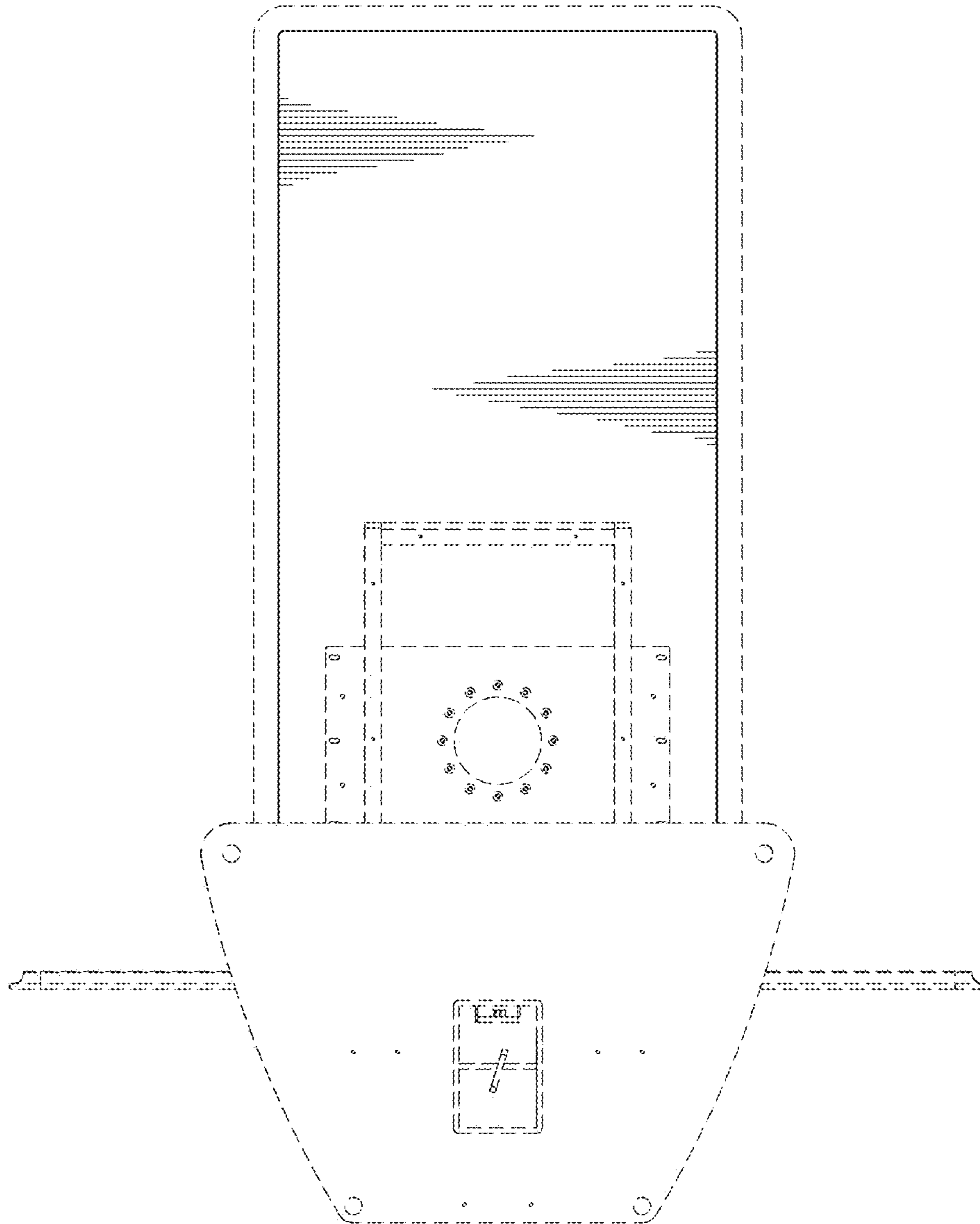


FIG. 6

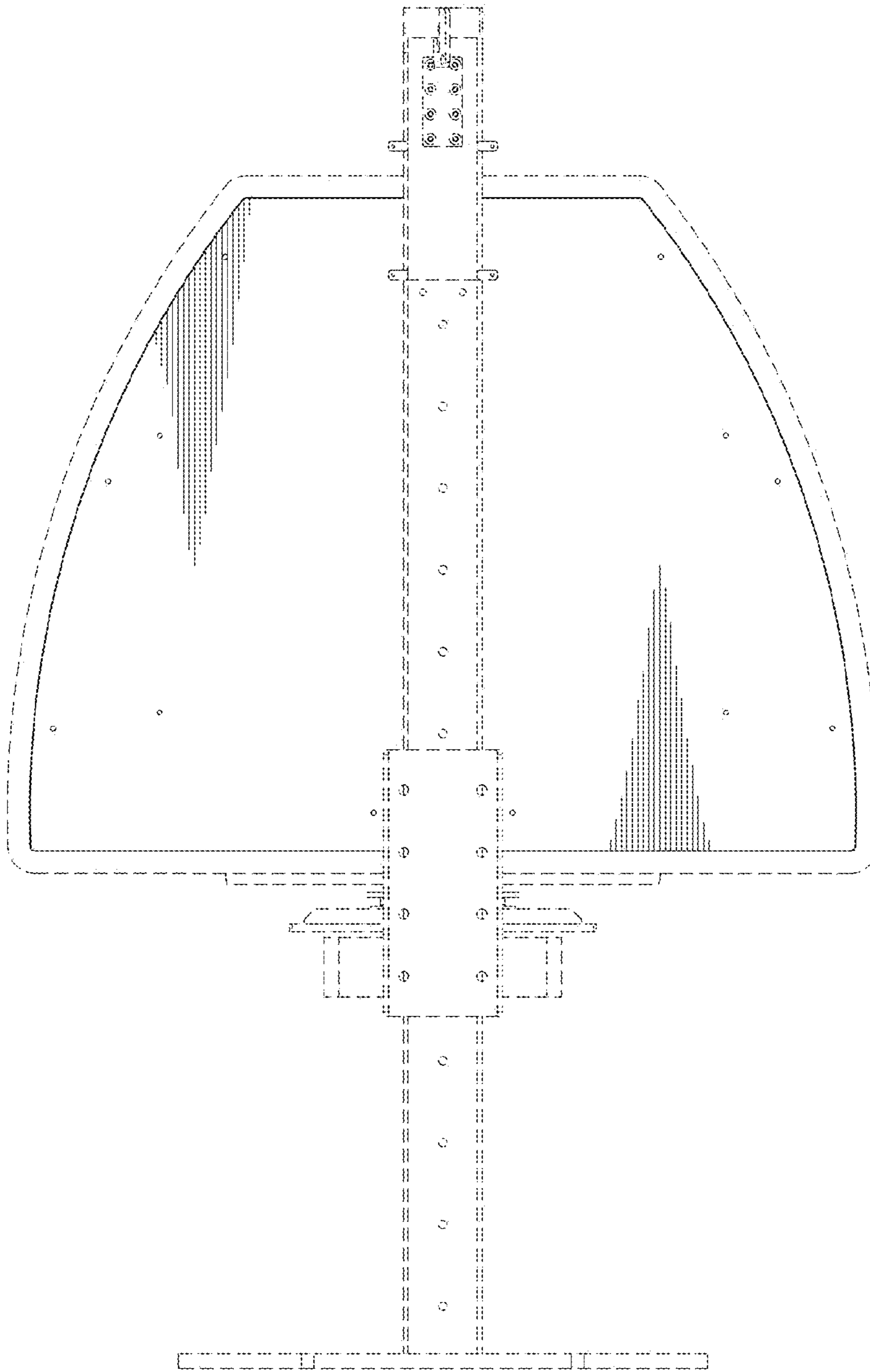


FIG. 7