



US00D706424S

(12) **United States Design Patent**
Banryu

(10) **Patent No.:** **US D706,424 S**

(45) **Date of Patent:** **** *Jun. 3, 2014**

(54) **SCANNER FOR A MAGNETIC RESONANCE TOMOGRAPHY DIAGNOSIS APPARATUS**

(75) Inventor: **Atsunobu Banryu**, Funabashi (JP)

(73) Assignees: **Kabushiki Kaisha Toshiba**, Minato-Ku, Tokyo (JP); **Toshiba Medical Systems Corporation**, Otawara-Shi, Tochigi-Ken (JP)

(*) Notice: This patent is subject to a terminal disclaimer.

(**) Term: **14 Years**

(21) Appl. No.: **29/422,452**

(22) Filed: **May 21, 2012**

(30) **Foreign Application Priority Data**

Mar. 29, 2012 (JP) 2012-007327

(51) **LOC (10) Cl.** **24-01**

(52) **U.S. Cl.**
USPC **D24/158**

(58) **Field of Classification Search**
USPC D24/158-161, 185, 186; 378/4, 15, 17, 378/20, 21, 23-27, 62, 68, 146, 195-198
See application file for complete search history.

(56) **References Cited**

U.S. PATENT DOCUMENTS

D399,958 S	*	10/1998	Hiramatsu	D24/158
D420,134 S	*	2/2000	Kitayama	D24/159
D557,418 S	*	12/2007	Onuma et al.	D24/158
D564,096 S	*	3/2008	Banryu	D24/158
D625,416 S	*	10/2010	Kasai et al.	D24/158
D628,294 S	*	11/2010	Baba	D24/158

FOREIGN PATENT DOCUMENTS

JP	1312242	10/2007
JP	1312245	10/2007
JP	1370351	10/2009

OTHER PUBLICATIONS

Extract of Nikkei Sangyo Shimbun (Newspaper), Showing a magnetic resonance imaging, (Siemens-Asahi Medical Technologies Ltd/Magnetom Essenza).

Extract of Nikkei Sangyo Shimbun (Newspaper), Showing a magnetic resonance imaging, (Siemens AG/Type 3T).

* cited by examiner

Primary Examiner — Anhdao Doan

(74) *Attorney, Agent, or Firm* — Banner & Witcoff, Ltd

(57) **CLAIM**

The ornamental design for a scanner for a magnetic resonance tomography diagnosis apparatus, as shown and described.

DESCRIPTION

FIG. 1 is a front perspective view of a scanner for a magnetic resonance tomography diagnosis apparatus, showing my design

FIG. 2 is a front elevational view thereof;

FIG. 3 is a rear elevational view thereof;

FIG. 4 is a left side elevational view thereof;

FIG. 5 is a right side elevational view thereof;

FIG. 6 is a top plan view thereof;

FIG. 7 is a bottom plan view thereof;

FIG. 8 is a cross sectional view thereof, taken along the line 8-8 in FIG. 2; and,

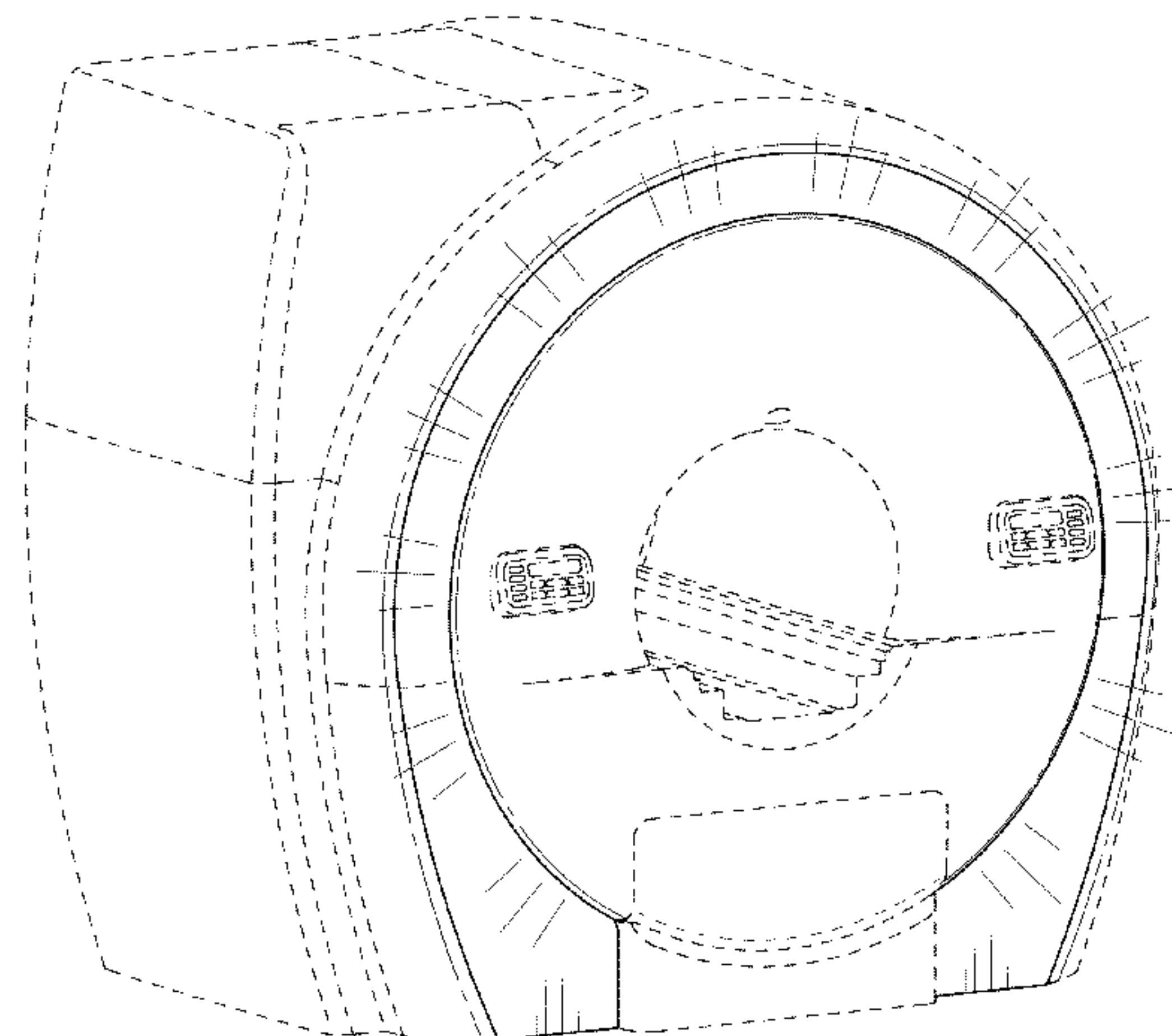
FIG. 9 is an enlarged view thereof, taken along the line 9-9 in FIG. 8.

The broken lines are for illustrative purpose only and form no part of the claimed design. The uneven spaced broken lines define the bounds of the claimed design and form no part thereof.

The recess visible in the cross section extends consistently around the center region from 7 o'clock to 5 o'clock.

The radial lines emanating from around the center region in FIGS. 1, 2, and 4-9 indicate illumination.

1 Claim, 8 Drawing Sheets



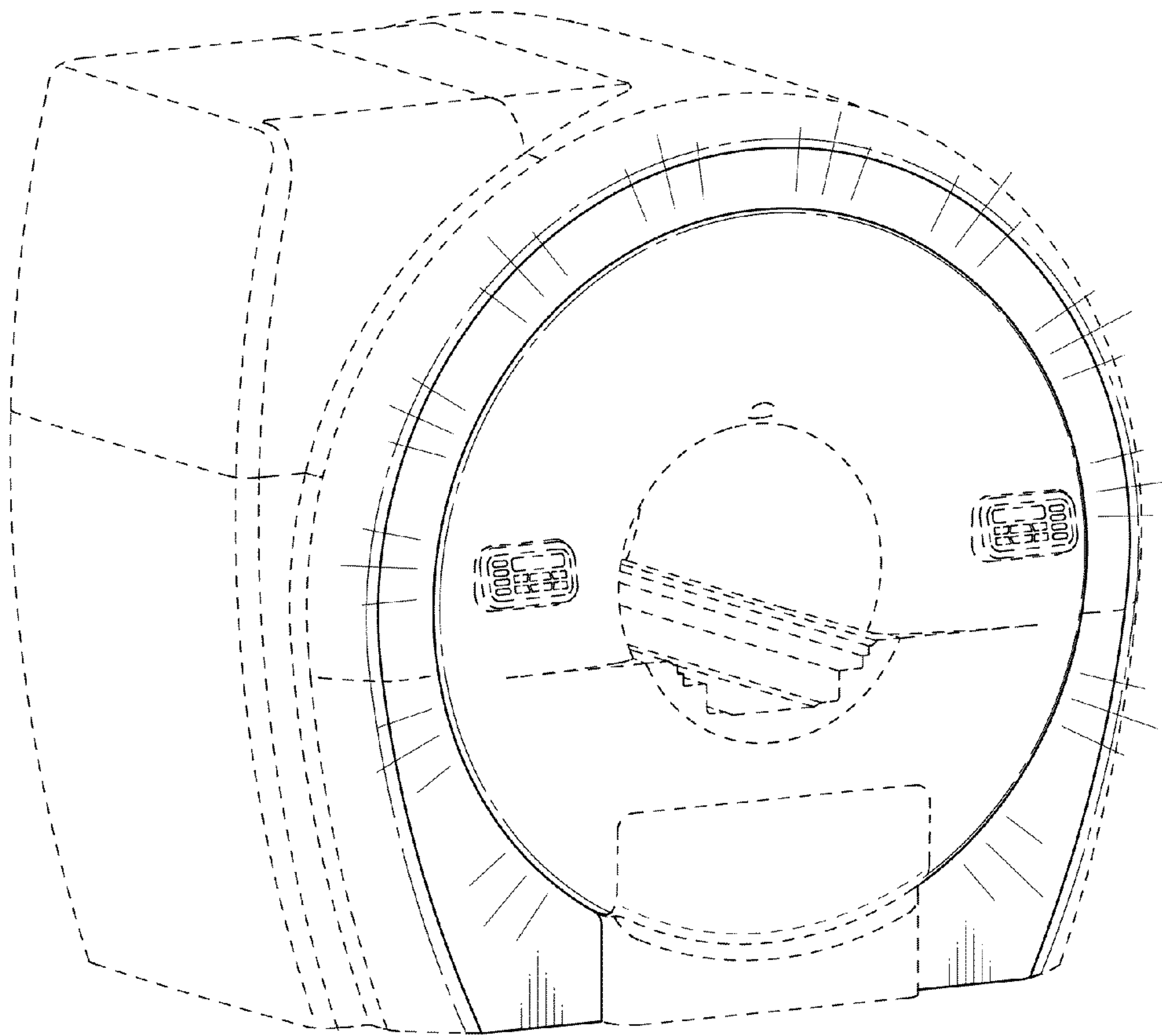


FIG. 1

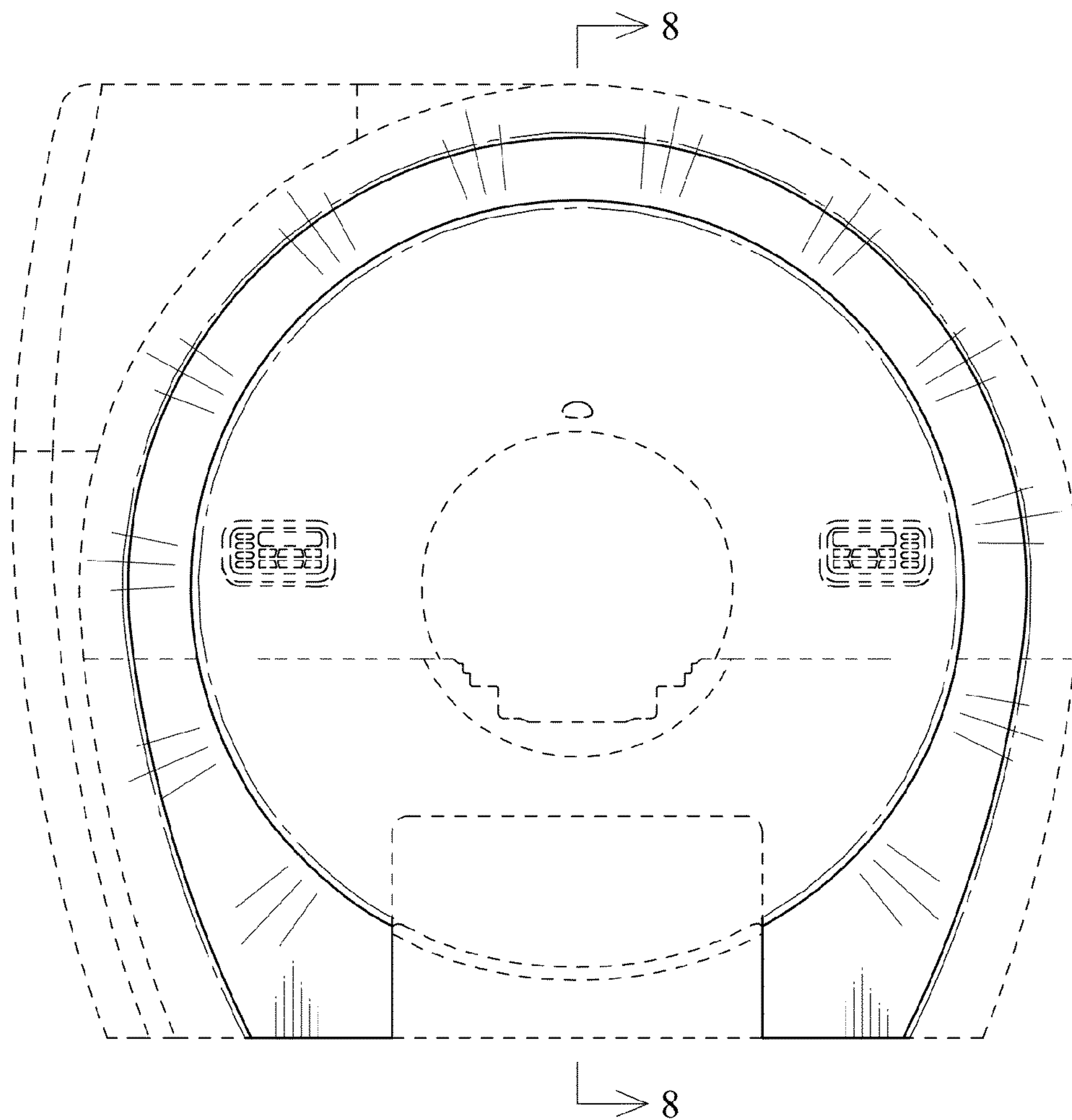


FIG. 2

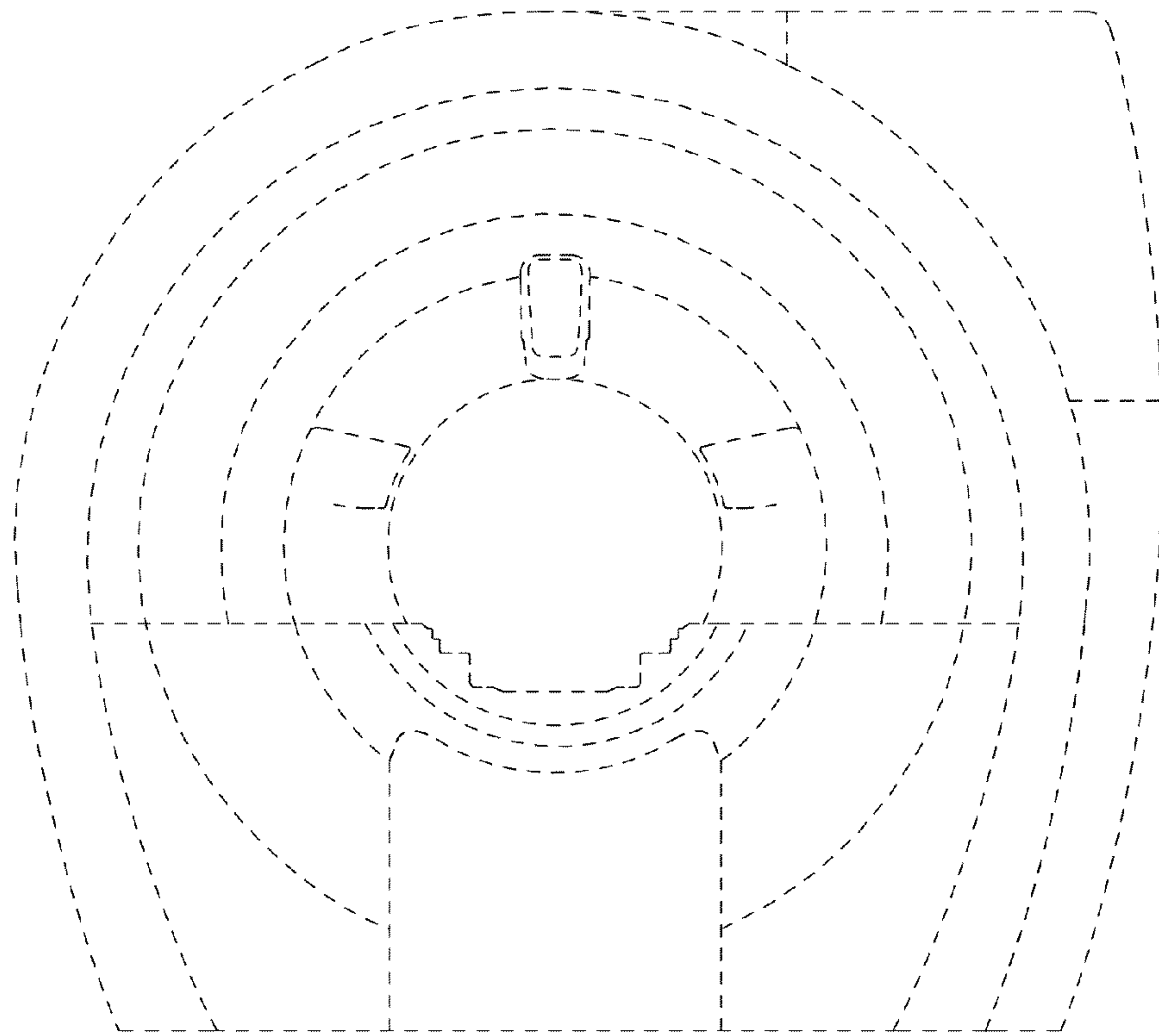


FIG. 3

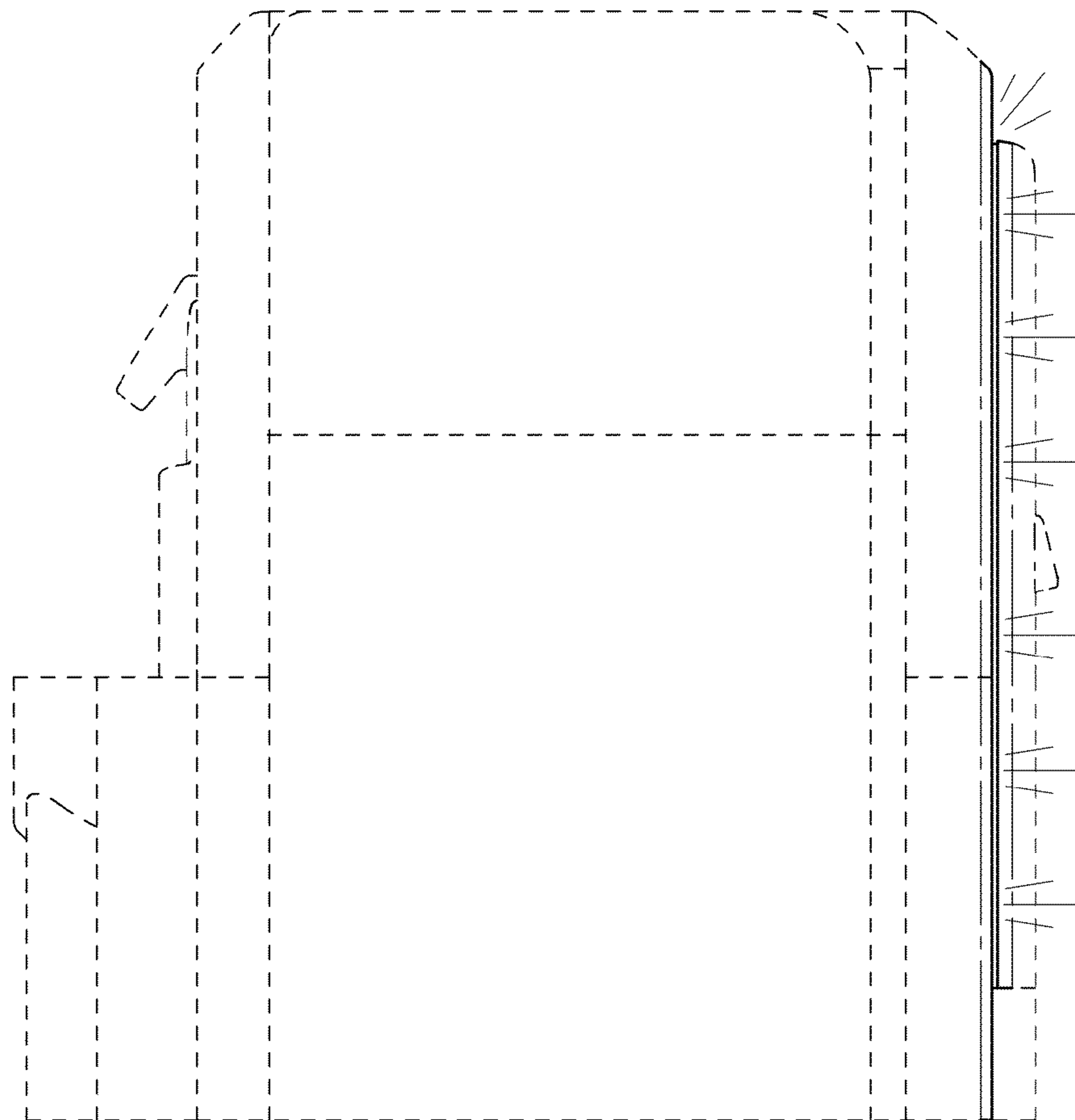


FIG. 4

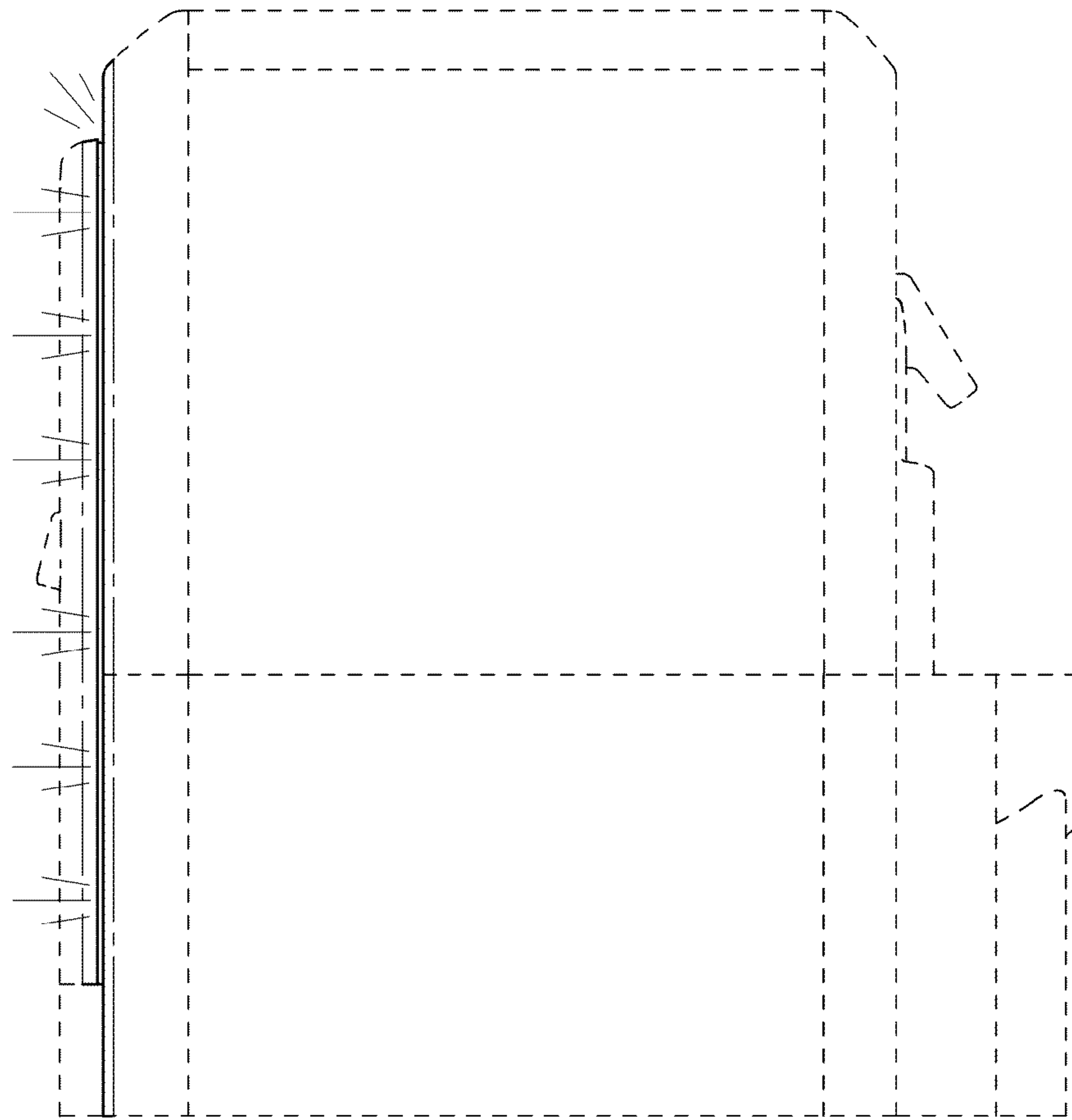


FIG. 5

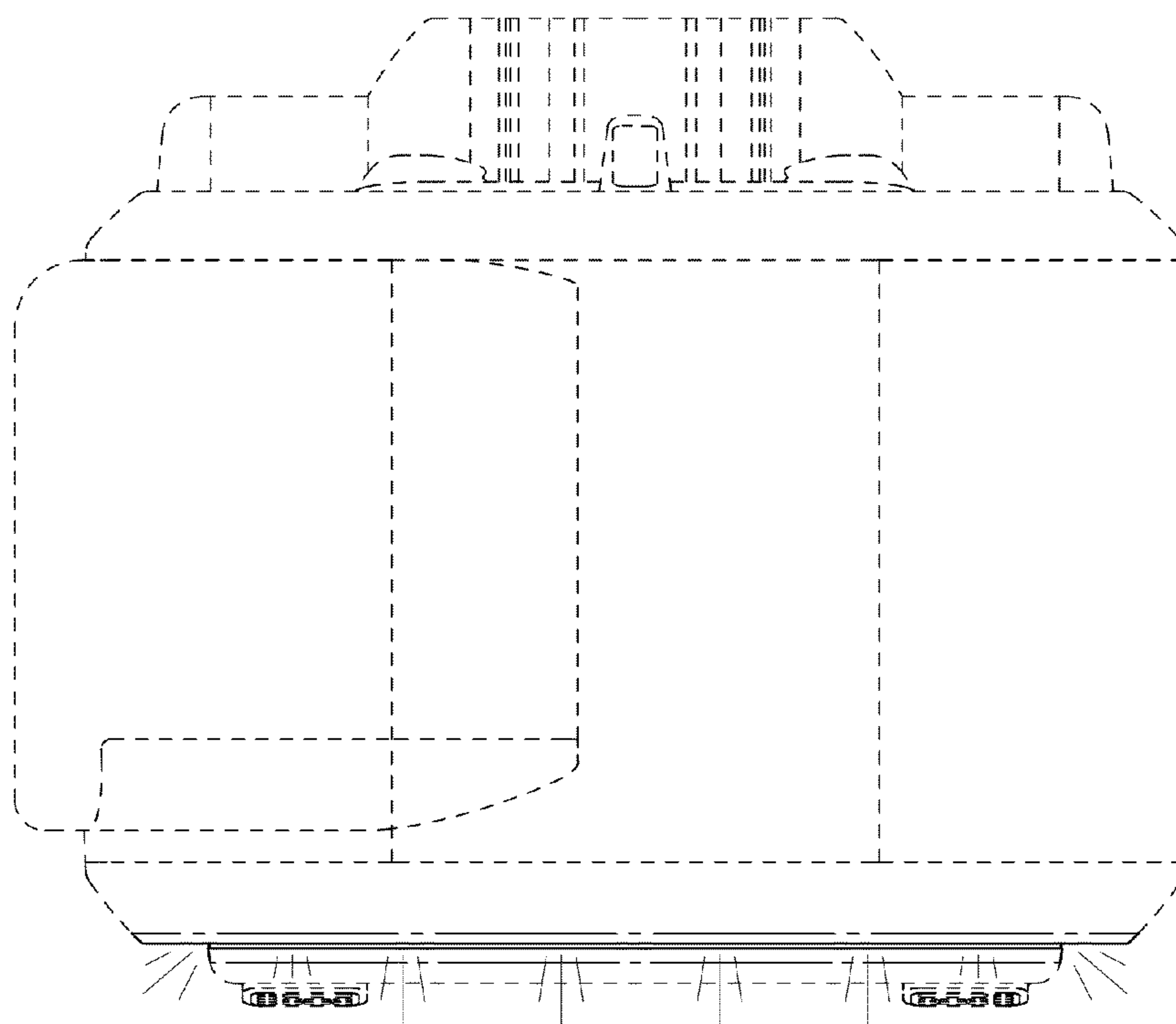


FIG. 6

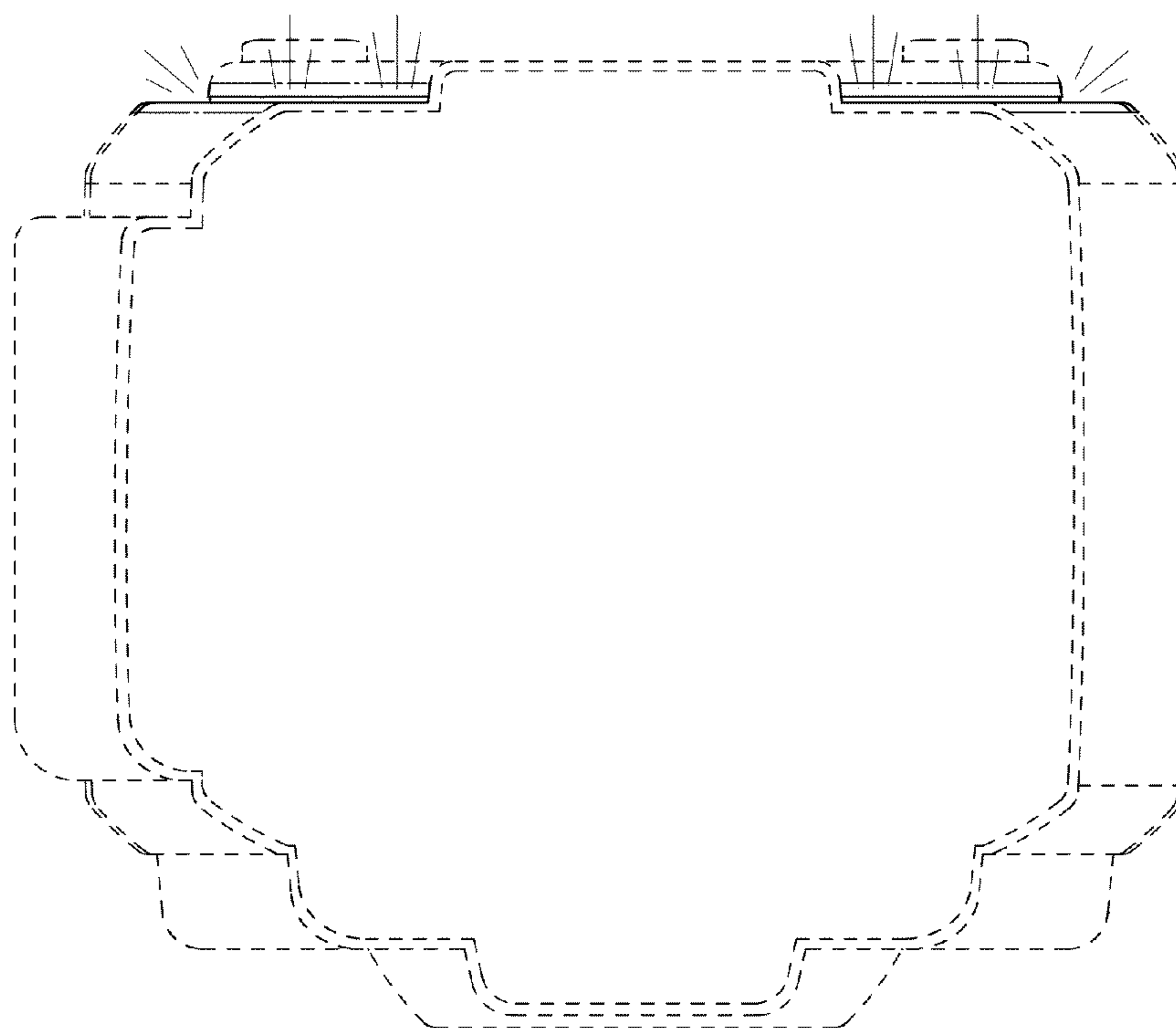


FIG. 7

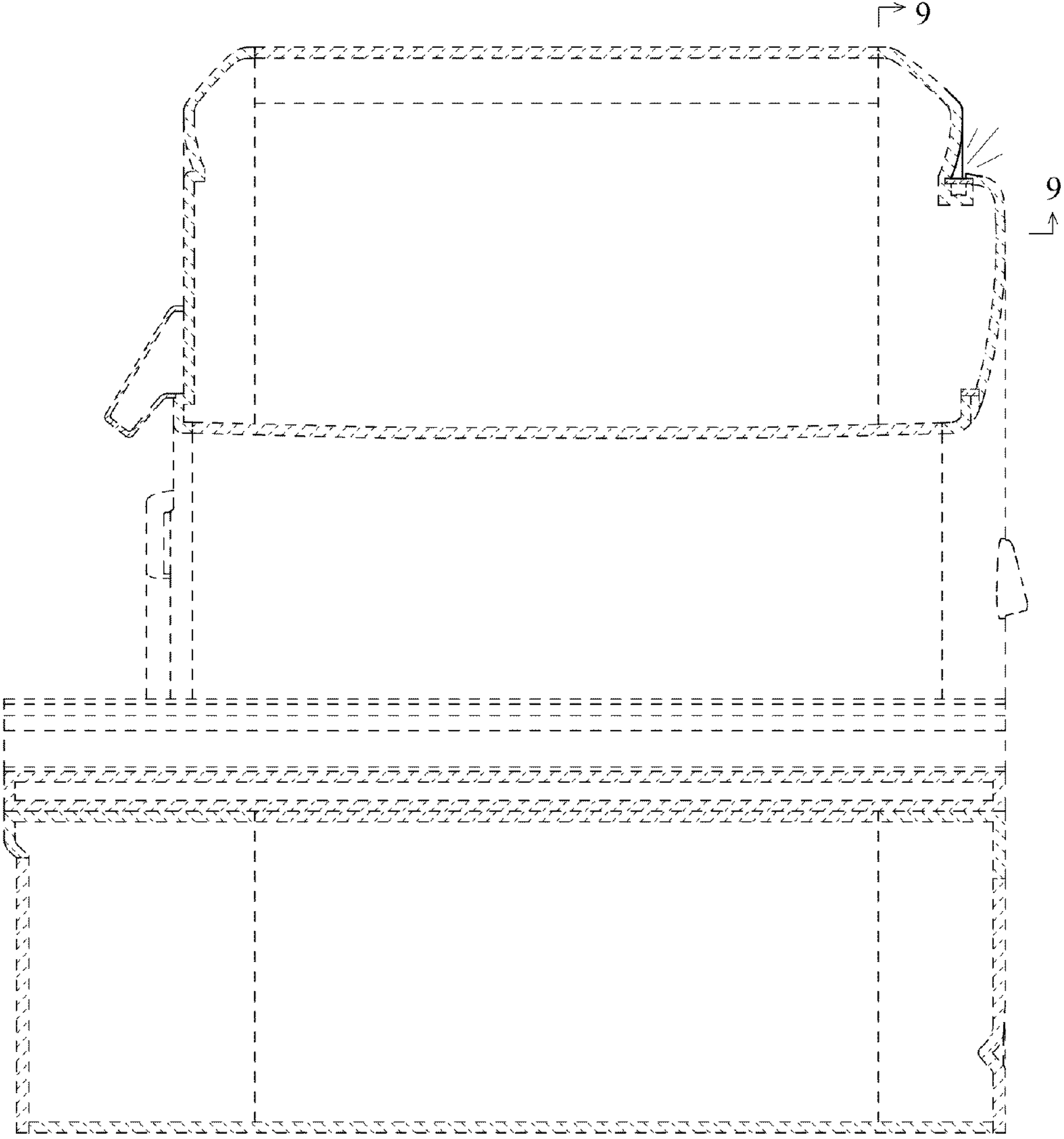


FIG. 8

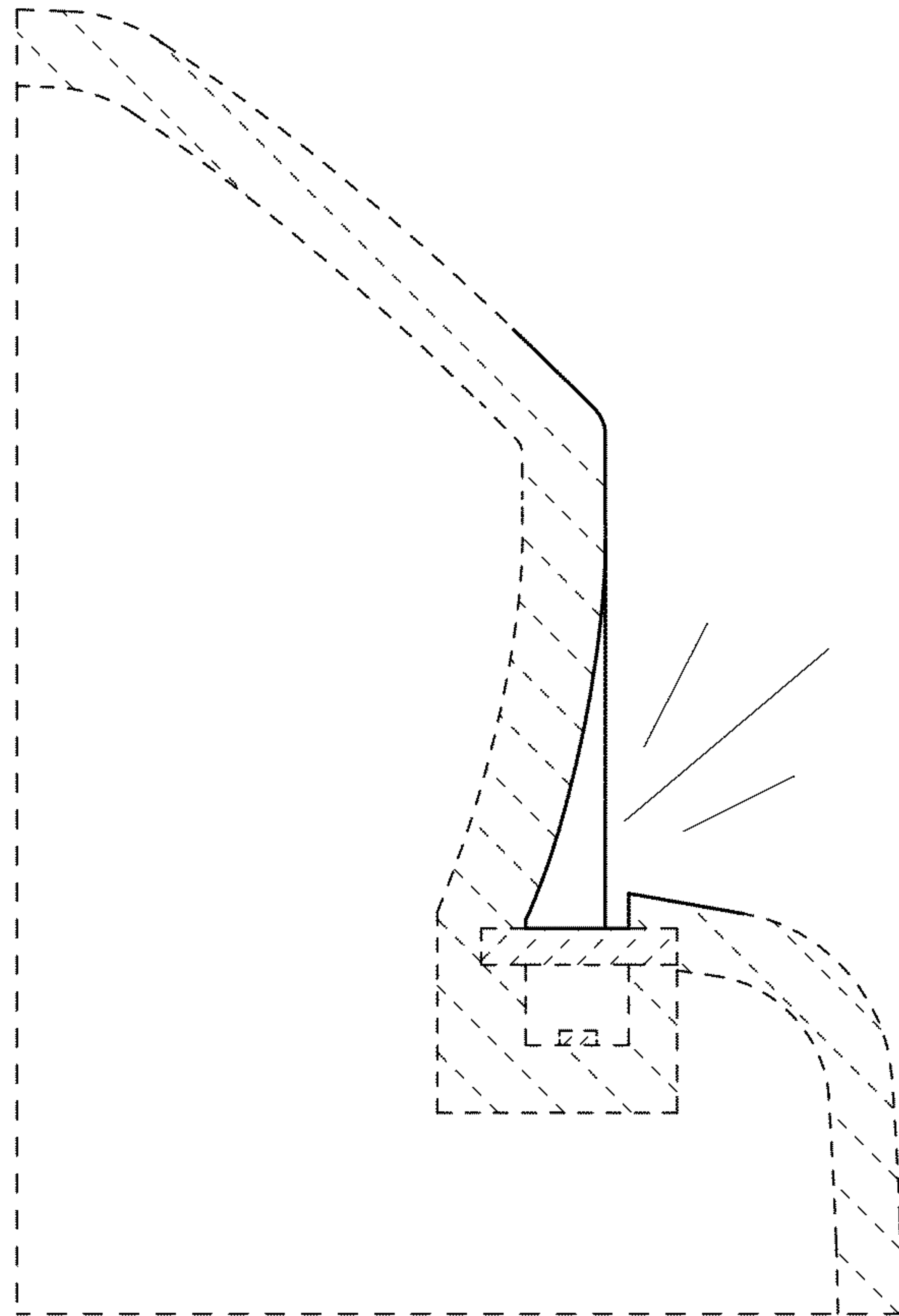


FIG. 9