



US00D706415S

(12) **United States Design Patent**
Levesque et al.

(10) **Patent No.:** **US D706,415 S**
(45) **Date of Patent:** **** Jun. 3, 2014**

- (54) **FLUID TRANSFER DEVICE**
- (71) Applicant: **Valeritas, Inc.**, Bridgewater, NJ (US)
- (72) Inventors: **Steven F. Levesque**, North Pembroke, MA (US); **Robert R. Gonnelli**, Mahwah, NJ (US); **Robert L. Standley**, Acton, MA (US); **Mario T. Capolongo**, Ware, MA (US)
- (73) Assignee: **Valeritas, Inc.**, Bridgewater, NJ (US)
- (**) Term: **14 Years**
- (21) Appl. No.: **29/458,166**
- (22) Filed: **Jun. 17, 2013**

5,320,503	A *	6/1994	Davis	604/153
5,840,071	A *	11/1998	Kriesel et al.	604/153
D408,079	S	4/1999	Ellis	
6,752,787	B1 *	6/2004	Causey et al.	604/131
6,939,324	B2 *	9/2005	Gonnelli et al.	604/142
7,481,792	B2 *	1/2009	Gonnelli et al.	604/142
7,785,288	B2 *	8/2010	Mernoe et al.	604/65
8,113,240	B2	2/2012	Blanchard et al.	
D667,946	S	9/2012	Levesque et al.	
2010/0276034	A1	11/2010	Gonnelli et al.	
2011/0028937	A1	2/2011	Powers et al.	
2011/0284123	A1	11/2011	Bouix et al.	
2011/0306929	A1	12/2011	Levesque et al.	
2012/0000569	A1	1/2012	Weigel	

* cited by examiner

Primary Examiner — Wan Laymon

(74) *Attorney, Agent, or Firm* — Morgan, Lewis & Bockius LLP

Related U.S. Application Data

- (60) Continuation of application No. 29/428,565, filed on Aug. 1, 2012, now Pat. No. Des. 687,948, which is a division of application No. 29/361,753, filed on May 14, 2010, now Pat. No. Des. 667,946.
- (51) **LOC (10) Cl.** **24-02**
- (52) **U.S. Cl.**
USPC **D24/111**
- (58) **Field of Classification Search**
USPC D24/108, 127-130, 110-111;
137/561 R; 141/18, 22-24, 27-28;
604/93.01, 151, 7-8, 34, 67, 123, 131,
604/152-153, 142, 154
See application file for complete search history.

(57) **CLAIM**

The ornamental design for a fluid transfer device, as shown and described.

DESCRIPTION

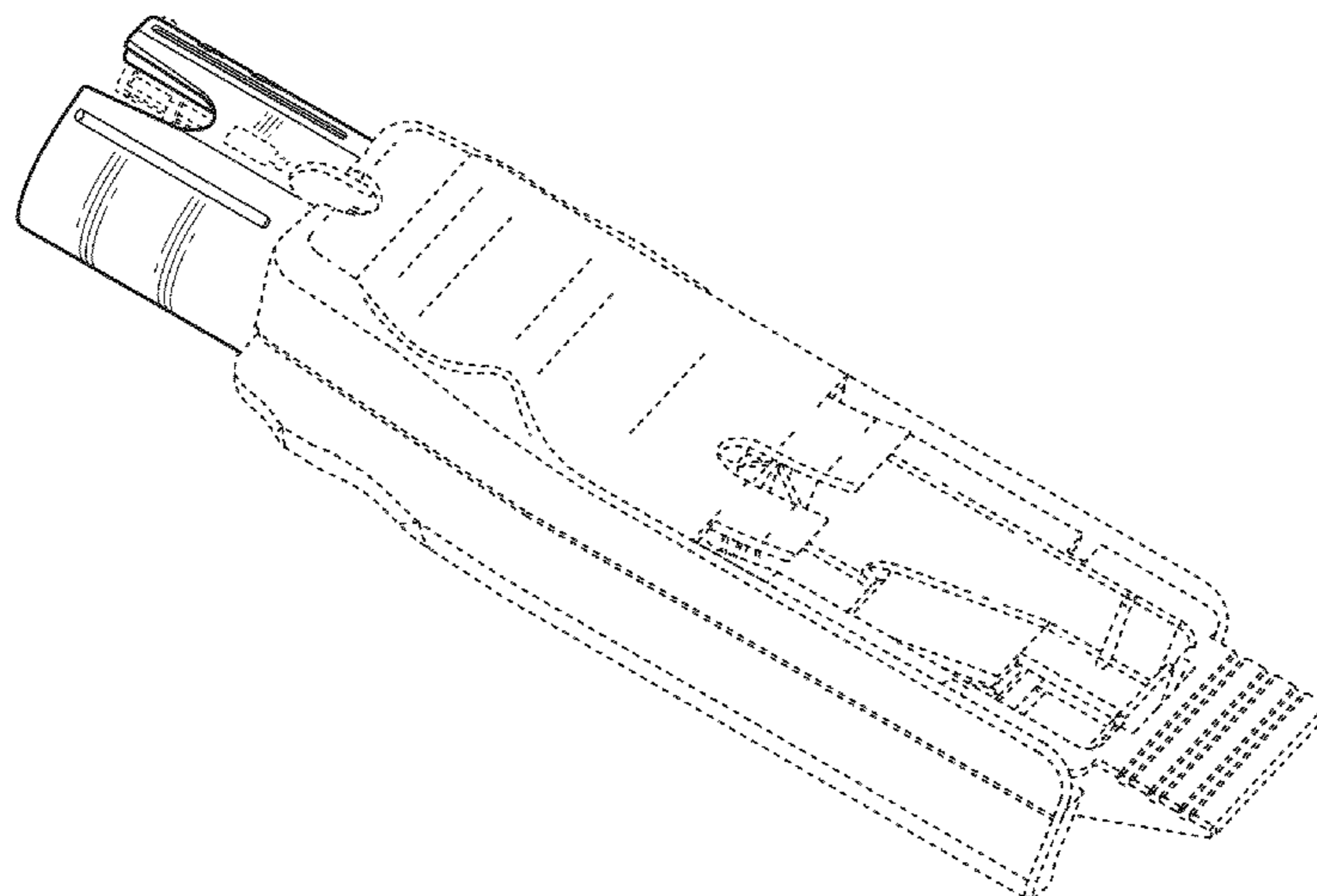
FIG. 1 is a front perspective view of a fluid transfer device in accordance with our new design;
 FIG. 2 is a front plan view of the fluid transfer device shown in FIG. 1;
 FIG. 3 is a rear plan view of the fluid transfer device shown in FIG. 1;
 FIG. 4 is a right-side elevational view of the fluid transfer device shown in FIG. 1;
 FIG. 5 is a left-side elevational view of the fluid transfer device shown in FIG. 1;
 FIG. 6 is a top elevational view of the fluid transfer device shown in FIG. 1; and,
 FIG. 7 is a bottom elevational view of the fluid transfer device shown in FIG. 1.
 The broken lines in the figures are for illustrative purposes only and form no part of the claimed design.

(56) **References Cited**

U.S. PATENT DOCUMENTS

3,297,558	A	1/1967	Hillquist
D236,163	S	7/1975	Manno
3,895,631	A	7/1975	Buckles et al.
D265,243	S	6/1982	Manno et al.
D325,255	S	4/1992	Busche et al.

1 Claim, 3 Drawing Sheets



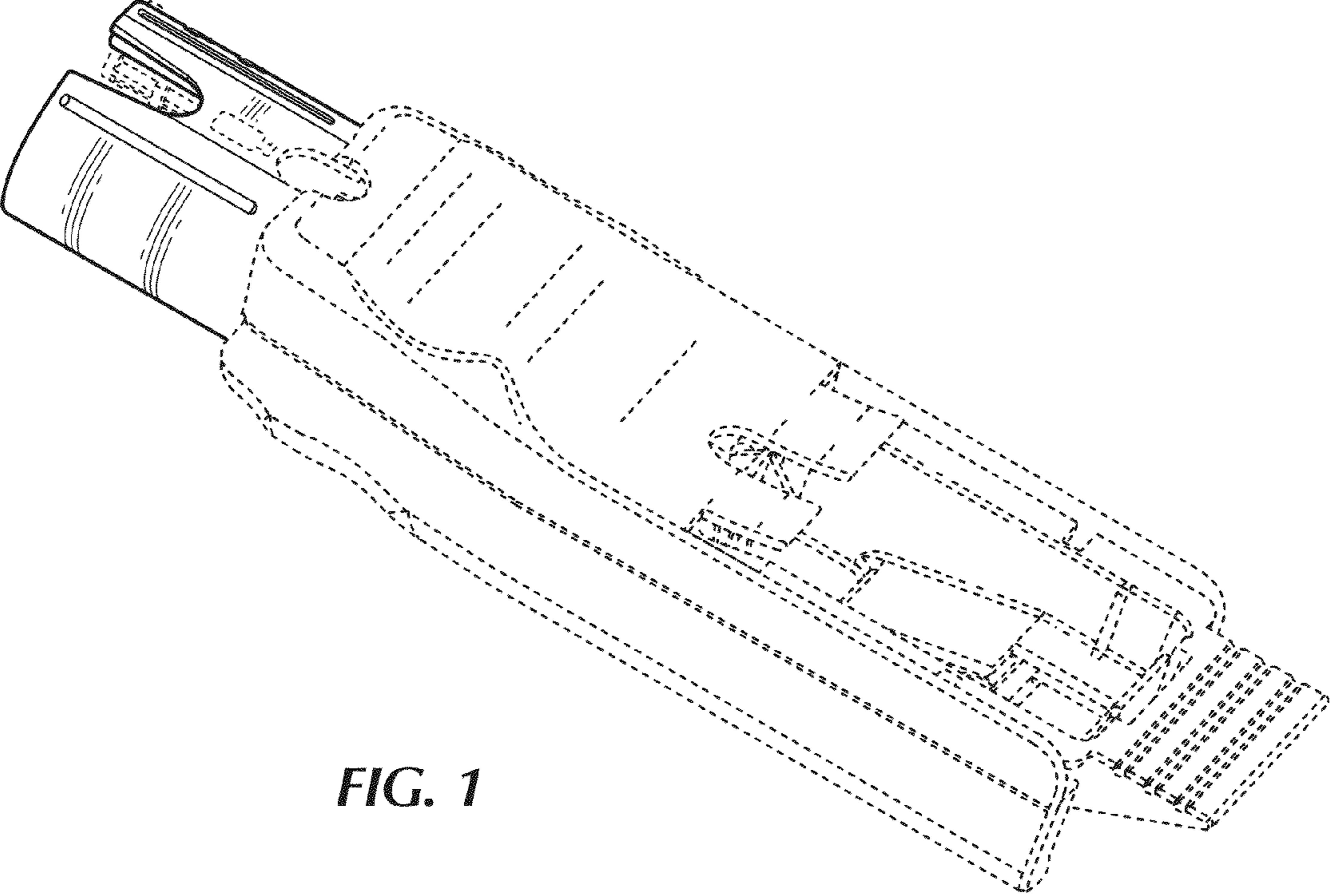


FIG. 1

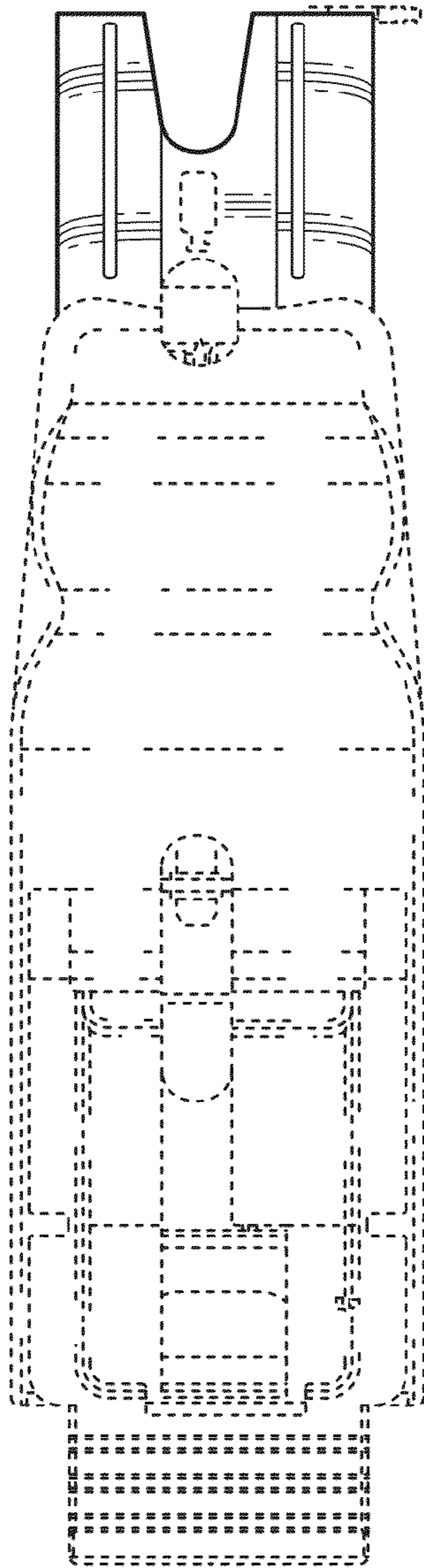


FIG. 2

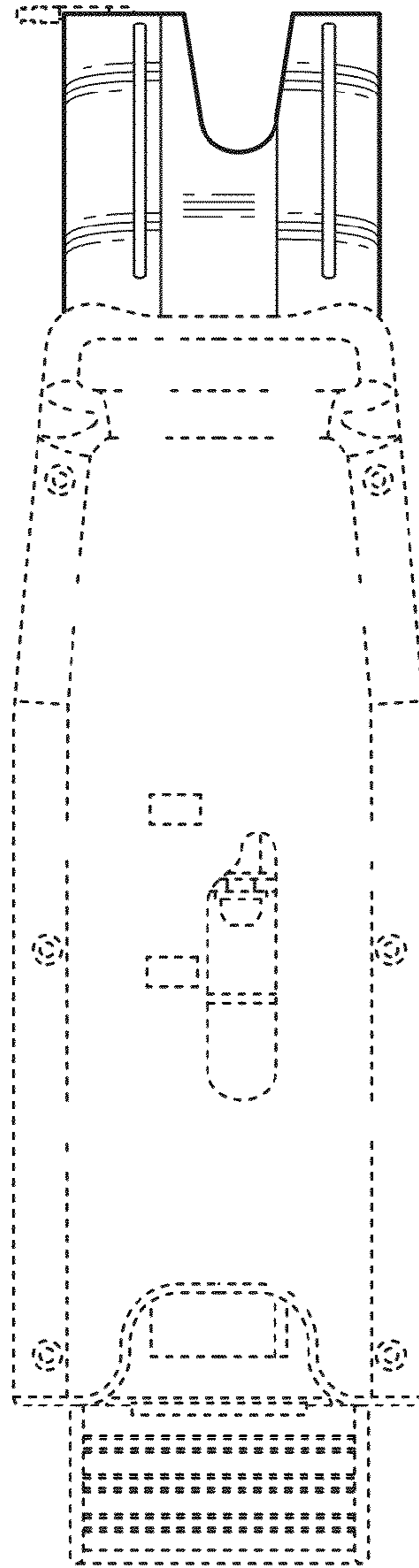


FIG. 3

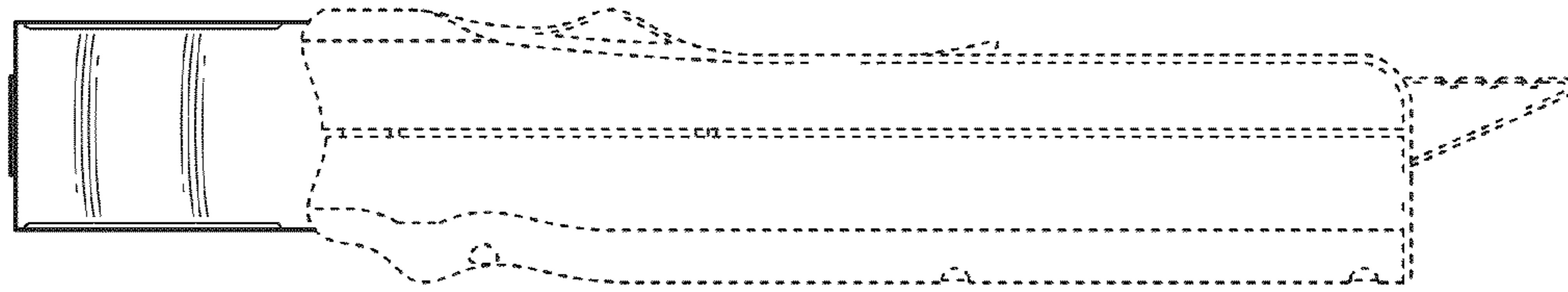


FIG. 4

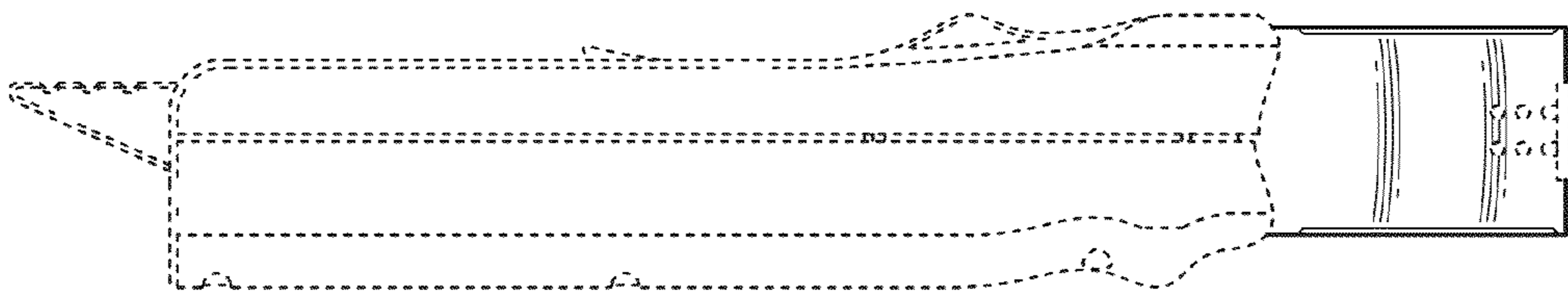


FIG. 5

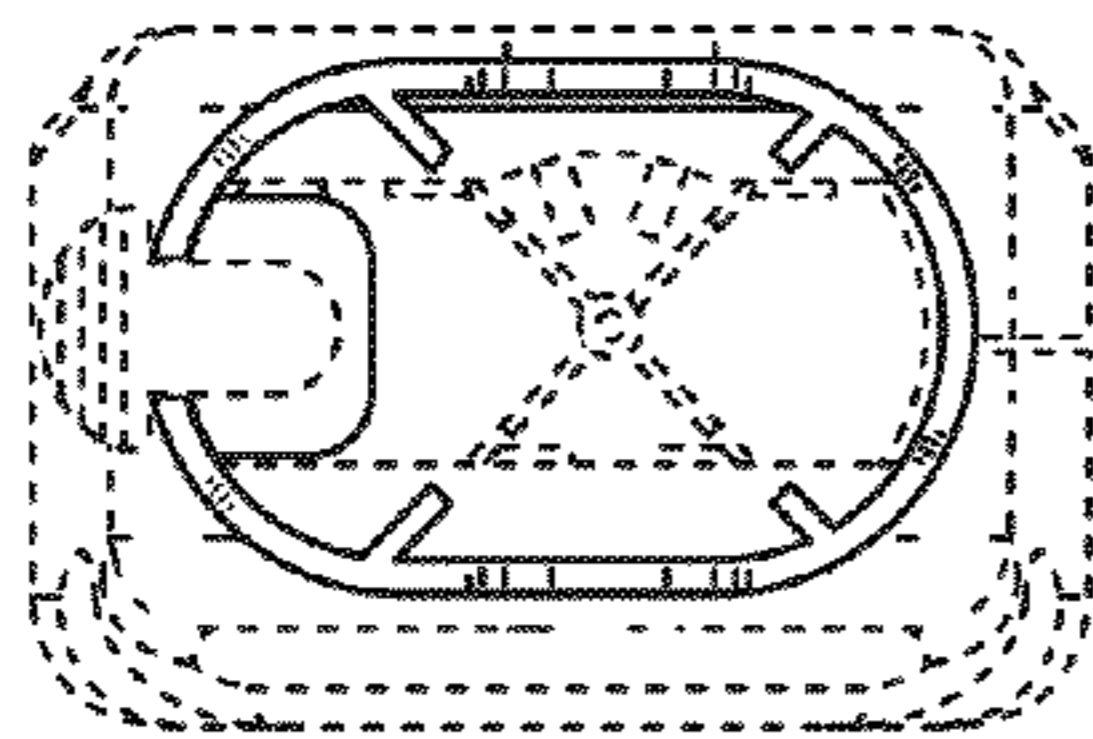


FIG. 6

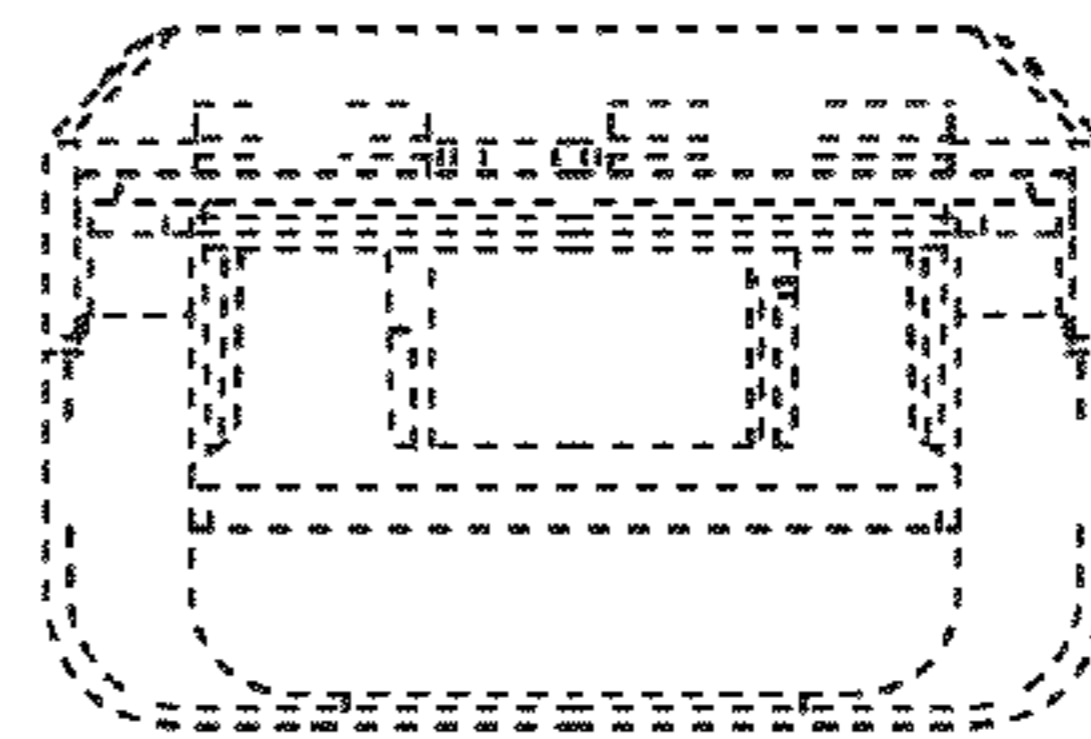


FIG. 7