



US00D706414S

(12) **United States Design Patent**
Lavoie

(10) **Patent No.:** **US D706,414 S**
(45) **Date of Patent:** **** Jun. 3, 2014**

(54) **GAS MASK WITH THERMAL SENSOR**

FOREIGN PATENT DOCUMENTS

(71) Applicant: **BAE Systems Information and Electronic Systems Integration Inc.**, Nashua, NH (US)

JP 2011145578 1/2010

(72) Inventor: **Barry Lavoie**, Lowell, MA (US)

OTHER PUBLICATIONS

(73) Assignee: **BAE Systems Information and Electronic Systems Integration Inc.**, Nashua, NH (US)

Survivair SCBA: Business & Industrial | eBay. (n.d.). Electronics, Cars, Fashion, Collectibles, Coupons and More Online Shopping | eBay. Retrieved Oct. 14, 2013, from <http://www.ebay.com/bhp/survivair-scba>.

(Continued)

(**) Term: **14 Years**

Primary Examiner — Ian Simmons
Assistant Examiner — Richelle G Shelton

(21) Appl. No.: **29/471,154**

(74) *Attorney, Agent, or Firm* — Sand & Sebolt

(22) Filed: **Oct. 29, 2013**

Related U.S. Application Data

(63) Continuation-in-part of application No. 13/833,172, filed on Mar. 15, 2013.

(57) **CLAIM**

The ornamental design for gas mask with thermal sensor, as shown and described.

(51) **LOC (10) Cl.** **29-02**

(52) **U.S. Cl.**
USPC **D24/110.2**

DESCRIPTION

(58) **Field of Classification Search**
USPC D24/110.1–110.4; D29/103, 110; 128/204.18, 204.21, 204.23, 206.12, 128/206.24, 206.28, 207.12; 348/164; 359/815; 600/537; 607/140

FIG. 1 is a front elevation view of the gas mask with thermal sensor of the present invention.
FIG. 2 is a left side elevation view of the gas mask with thermal sensor.
FIG. 3 is a right side elevation view of the gas mask with thermal sensor.
FIG. 4 is a top plan view of the gas mask with thermal sensor; and,
FIG. 5 is a bottom plan view of the gas mask with thermal sensor.

See application file for complete search history.

The broken line showing of portions of the article immediately adjacent the shaded areas is included for the purpose of illustrating environmental structure with the lines themselves and the areas within forming no part of the claimed design. The broken line showing on the sides of the article is included for the purpose of illustrating unclaimed subject matter with the lines themselves forming no part of the claimed design.

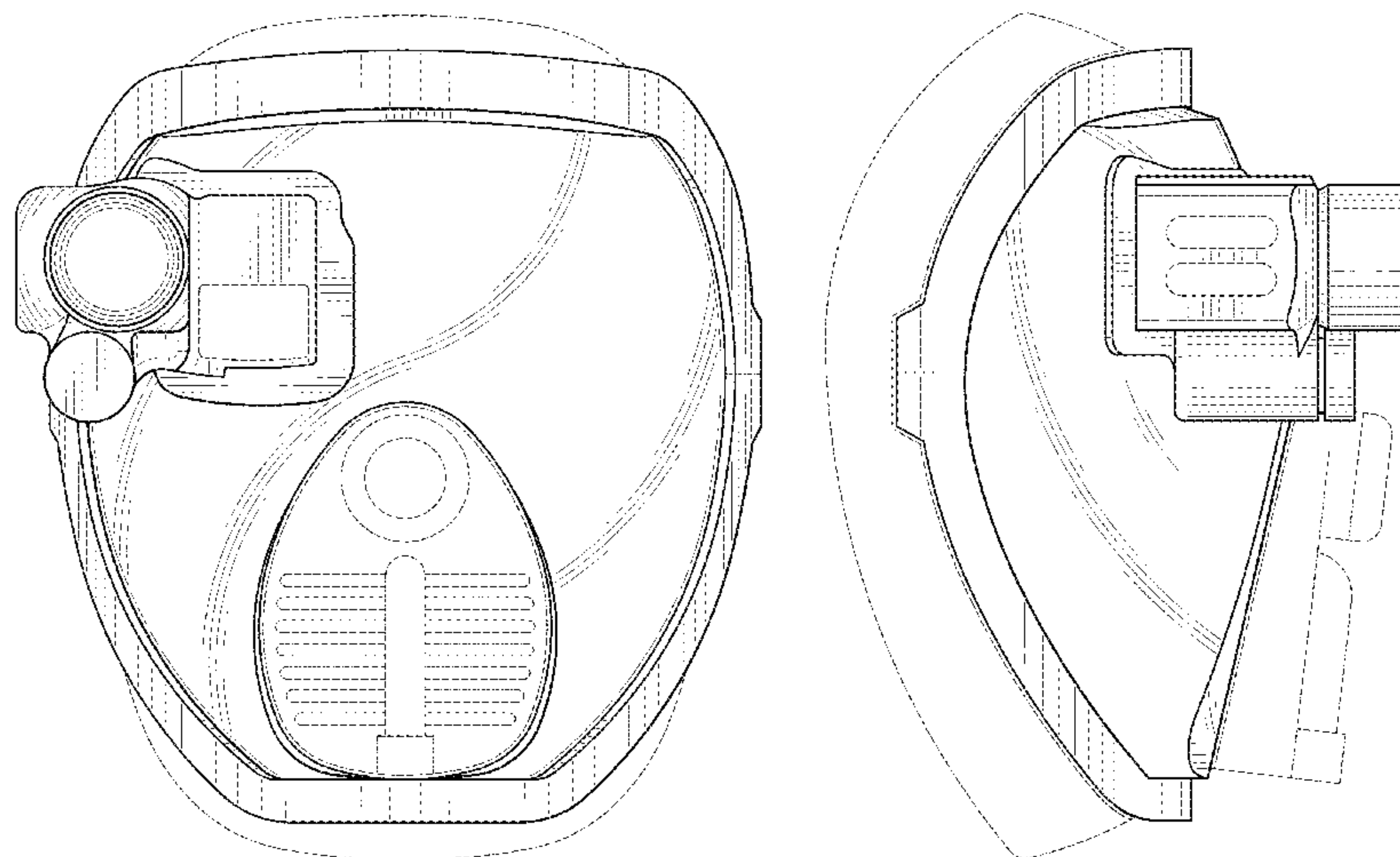
(56) **References Cited**

U.S. PATENT DOCUMENTS

4,653,879 A	3/1987	Filipovich	
4,655,562 A	4/1987	Kreitzer et al.	
5,089,914 A *	2/1992	Prescott	359/815
5,200,827 A	4/1993	Hanson et al.	
D336,546 S *	6/1993	Lybrand	D24/110.2
5,379,140 A	1/1995	Michel et al.	
5,581,271 A	12/1996	Kraemer	
D378,610 S *	3/1997	Reischel et al.	D24/110.2

(Continued)

1 Claim, 5 Drawing Sheets



(56)

References Cited

U.S. PATENT DOCUMENTS

D388,872	S *	1/1998	Grannis et al.	D24/110.4
6,160,666	A	12/2000	Rallison et al.	
6,606,114	B1 *	8/2003	Gordon et al.	348/64
6,717,737	B1	4/2004	Haglund	
6,859,327	B2 *	2/2005	Del Bianco et al.	359/630
D503,497	S *	3/2005	Canavan et al.	D29/110
6,900,777	B1	5/2005	Hebert et al.	
7,245,273	B2	7/2007	Eberl et al.	
7,369,174	B2 *	5/2008	Olita et al.	348/373
7,460,304	B1 *	12/2008	Epstein et al.	359/618
D602,154	S *	10/2009	Ono et al.	D24/110.2
7,969,383	B2	6/2011	Eberl et al.	

OTHER PUBLICATIONS

OES Products Group. (n.d.). OES Products Group. Retrieved Oct. 14, 2013, from <http://www.theoesgroup.com/>.

Air Soft Extreme. (n.d.). Air Soft Extreme. Retrieved Oct. 14, 2013, from www.airsoftextreme.com/store/index.php?main_page=product_info&cPath=254_671&products_id=6793&zenid=osl8ng6c6pmdvk5be62n0dem50.

MSA MSA Ultra Elite(TM) SCBA Respirator, S—Full Face Respirators—4AFU9|10084690—Grainger Industrial Supply. (n.d.). Grainger Industrial Supply—MRO Supplies, MRO Equipment, Tools & Solutions. Retrieved Oct. 14, 2013, from <http://www.grainger.com/Grainger/MSA-Full-Face-Respirator-4AFU9>.

Dräger FPS-COM-PLUS. (n.d.). Home. Retrieved Oct. 14, 2013, from http://www.draeger.com/sites/enus_us/Pages/Oil-Gas-Industry/Draeger-FPS-COM-PLUS.aspx.

Arayem Trade—Scott Sabre self contained breathing apparatus. (n.d.). Arayem Trade—Home. Retrieved Oct. 14, 2013, from http://arayemtrade.com/sabre_self_contained_breathing_apparatus.

Paul Ridden, “World First GPS Goggles With Head Mounted Display,” Wearable Electronics, Oct. 8, 2010.

* cited by examiner

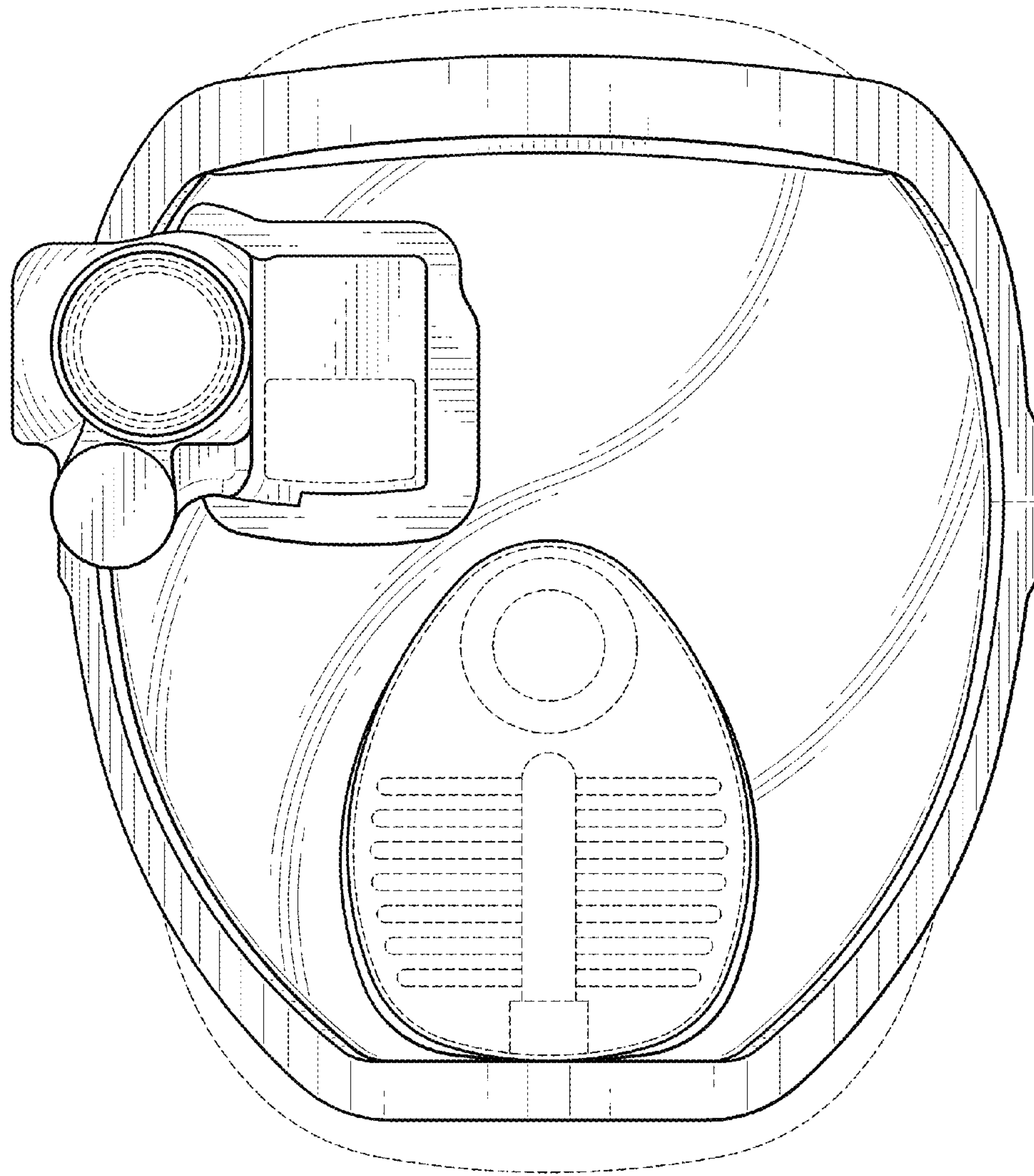


FIG-1

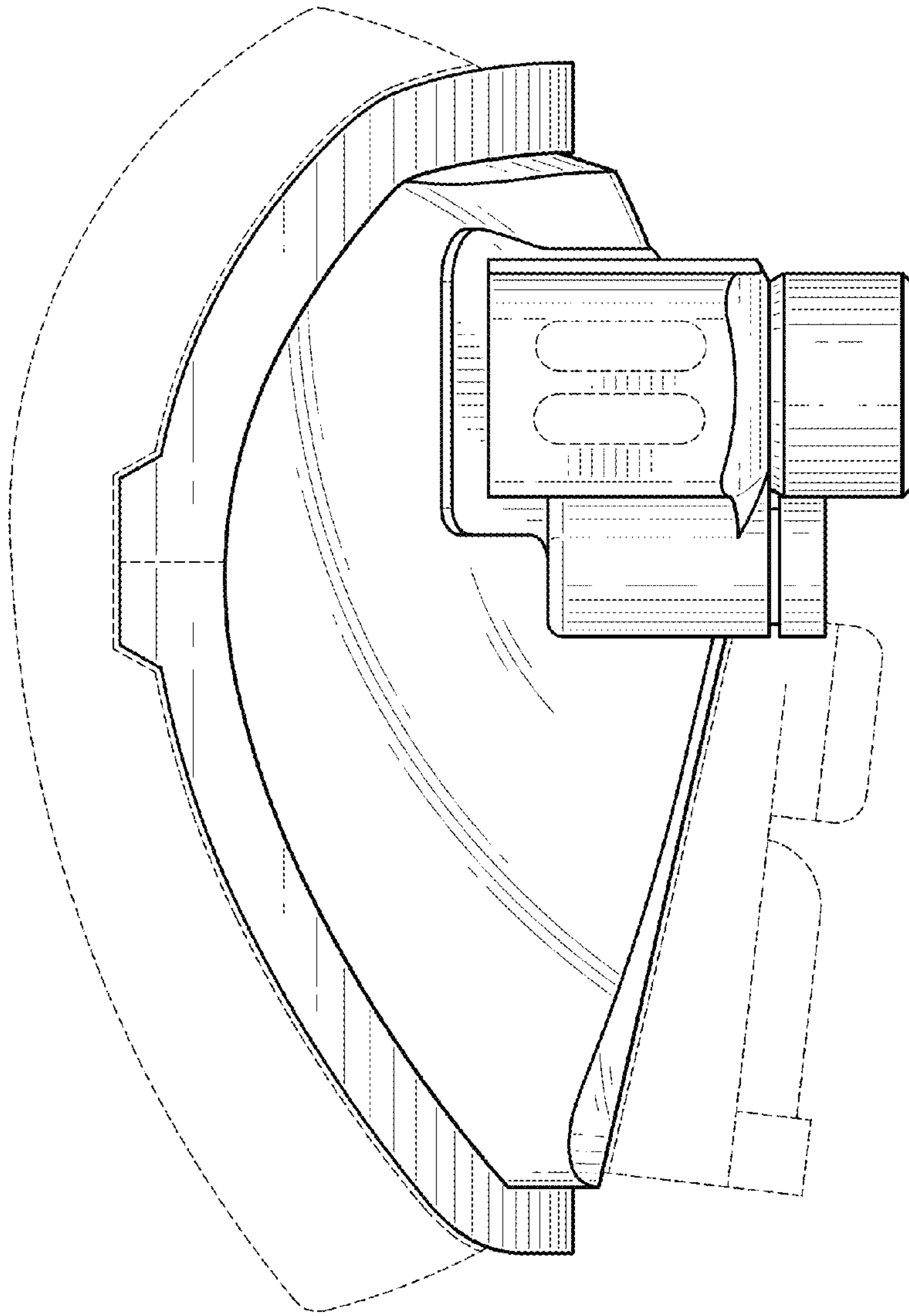


FIG-2

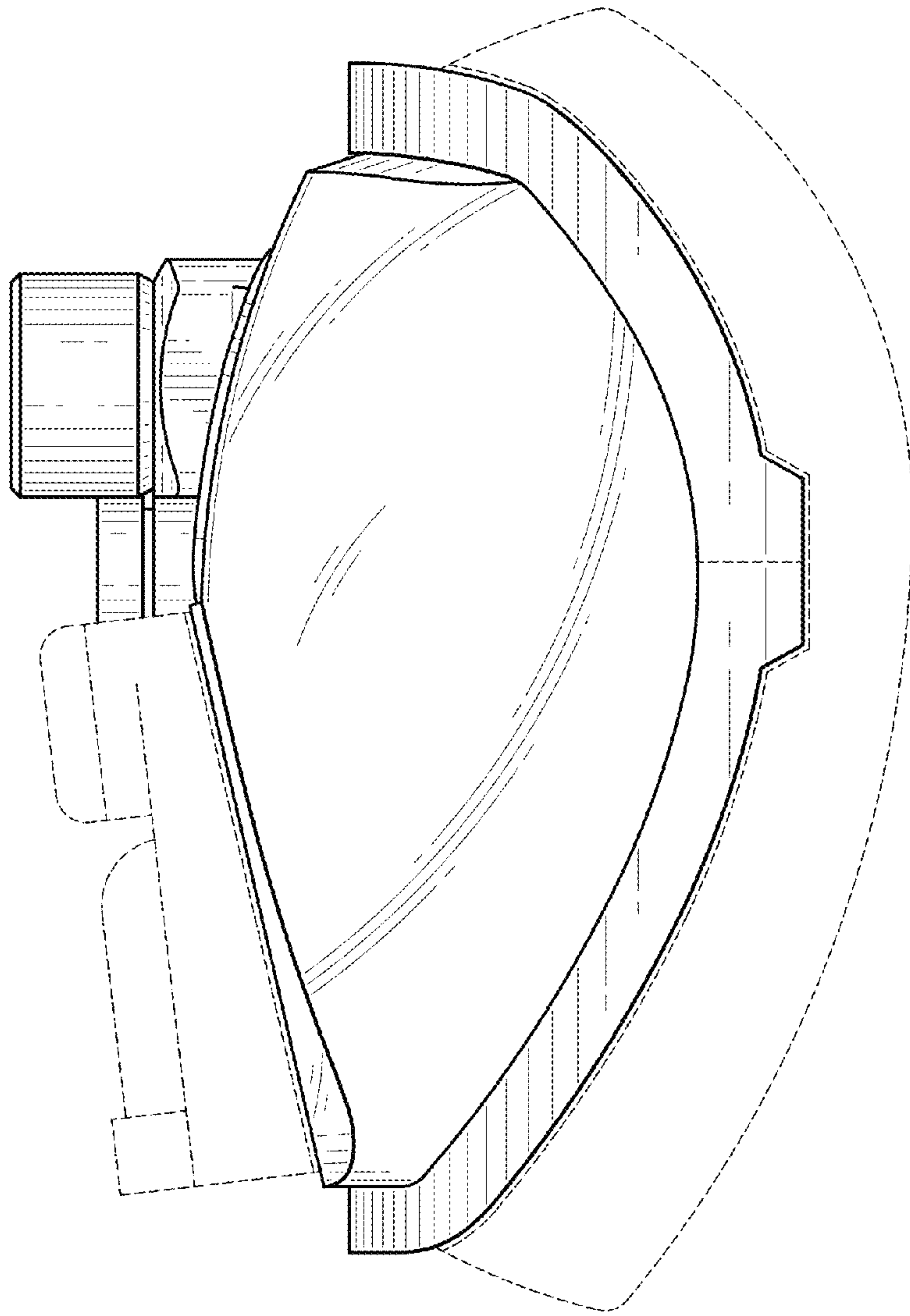


FIG-3

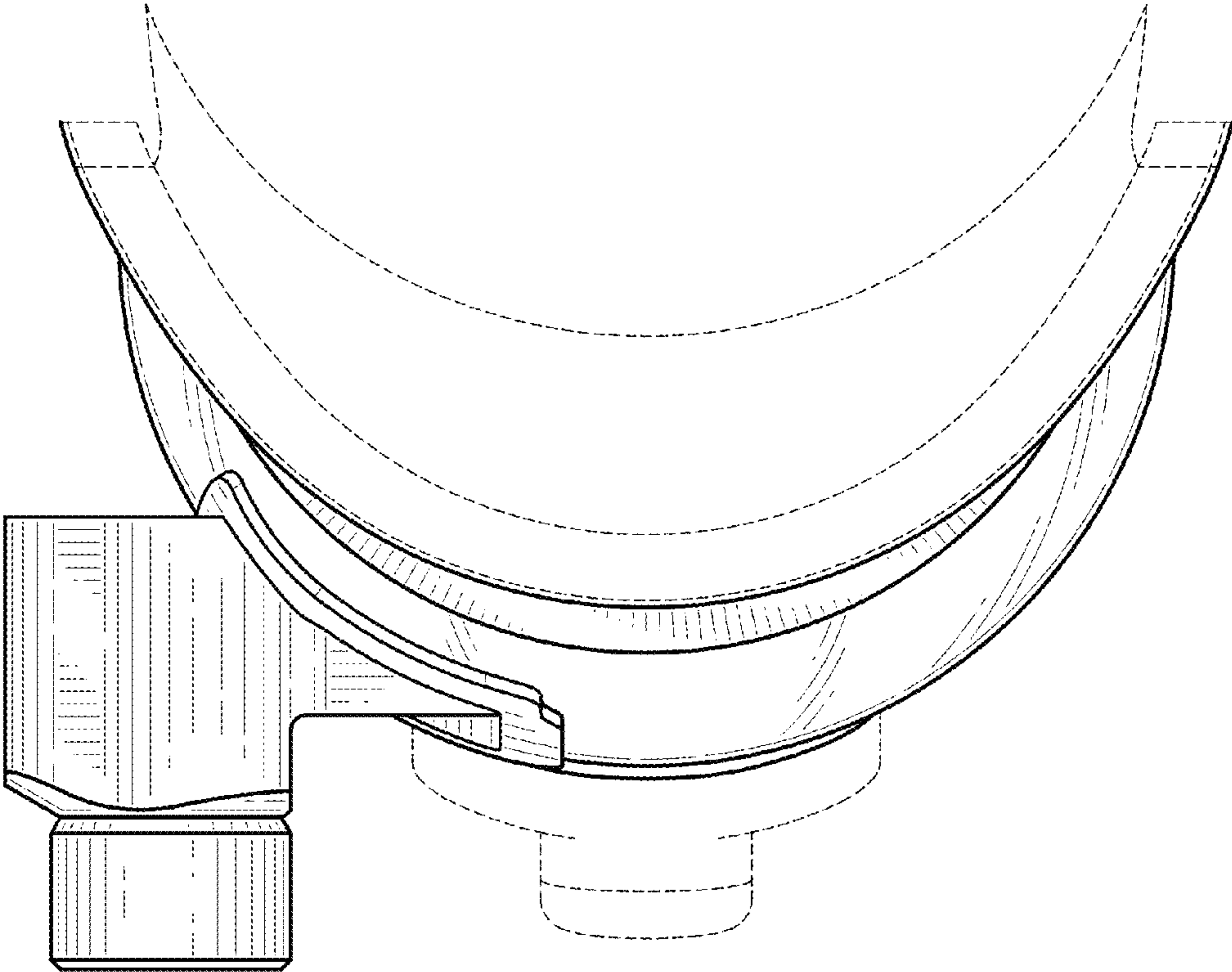


FIG-4

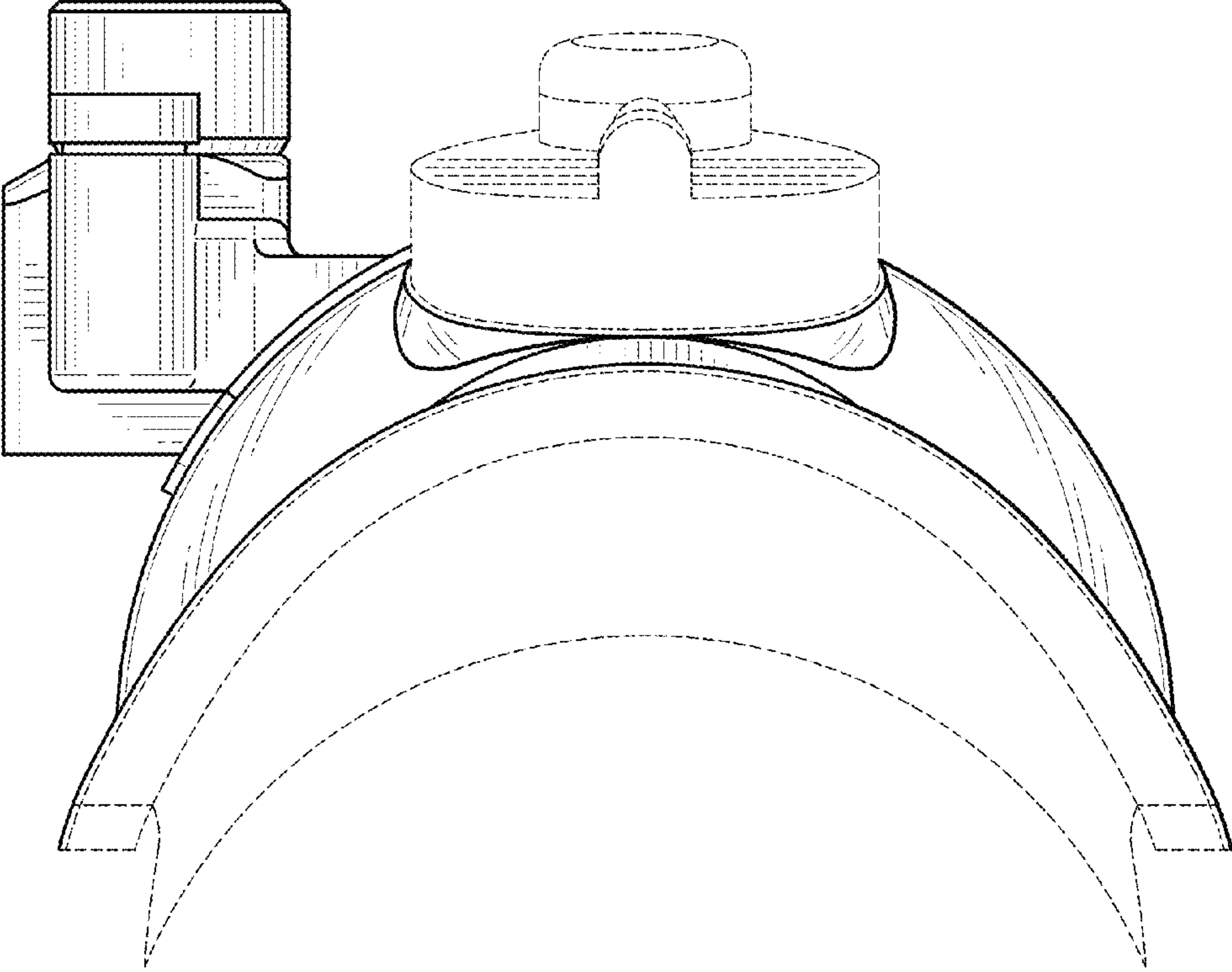


FIG-5