



US00D706413S

(12) **United States Design Patent**  
**Veliss et al.**

(10) **Patent No.:** **US D706,413 S**  
(45) **Date of Patent:** **\*\* Jun. 3, 2014**

(54) **HEADGEAR FOR RESPIRATORY MASK**

(71) Applicant: **ResMed Limited**, Bella Vista (AU)

(72) Inventors: **Lee James Veliss**, Rotterdam (NL);  
**Amal Shirley Amarasinghe**, Sydney (AU);  
**Alicia Kristianne Wells**, Sydney (AU);  
**Carmel Therese Harrington**, Sydney (AU);  
**Eric Siu**, Sydney (AU);  
**Ian Frederick Johnson**, Sydney (AU);  
**Richard Sokolov**, Sydney (AU)

(73) Assignee: **ResMed Limited**, Bella Vista (AU)

(\*\*) Term: **14 Years**

(21) Appl. No.: **29/458,093**

(22) Filed: **Jun. 17, 2013**

**Related U.S. Application Data**

(62) Division of application No. 29/371,591, filed on May 5, 2011, now Pat. No. Des. 685,463.

(51) **LOC (10) Cl.** ..... **29-02**

(52) **U.S. Cl.**  
USPC ..... **D24/110.1**

(58) **Field of Classification Search**  
USPC ..... D24/110.1-110.4; 128/201.22, 206.27,  
128/207.11-207.18, 205.25  
See application file for complete search history.

(56) **References Cited**

**U.S. PATENT DOCUMENTS**

2,763,263	A *	9/1956	Ellman	.....	128/203.13
3,513,844	A *	5/1970	Smith	.....	128/207.18
4,782,832	A *	11/1988	Trimble et al.	.....	128/207.18
4,915,105	A *	4/1990	Lee	.....	128/205.27
5,687,715	A *	11/1997	Landis et al.	.....	128/207.18
6,119,694	A *	9/2000	Correa et al.	.....	128/207.13

6,431,172	B1 *	8/2002	Bordewick	.....	128/207.18
6,595,215	B2 *	7/2003	Wood	.....	128/207.18
D485,905	S *	1/2004	Moore et al.	.....	D24/110.1
6,889,689	B1 *	5/2005	Neuman	.....	128/201.22
D542,912	S *	5/2007	Gunaratnam et al.	....	D24/110.5
D545,961	S *	7/2007	Hitchcock et al.	.....	D24/110.1
D546,441	S *	7/2007	Hitchcock et al.	.....	D24/110.1
7,318,437	B2 *	1/2008	Gunaratnam et al.	...	128/206.11
D586,907	S *	2/2009	Judson et al.	.....	D24/110.1
D586,911	S *	2/2009	McAuley et al.	.....	D24/110.5
D588,258	S *	3/2009	Judson et al.	.....	D24/110.1
D591,419	S *	4/2009	Chandran et al.	.....	D24/110.1
D595,841	S *	7/2009	McAuley et al.	.....	D24/110.1
D623,288	S *	9/2010	Lubke et al.	.....	D24/110.1
D637,279	S *	5/2011	Scheiner et al.	.....	D24/110
D648,846	S	11/2011	Omura et al.		
D650,064	S	12/2011	Gunaratnam et al.		
D656,607	S *	3/2012	Gunaratnam et al.	....	D24/110.5
D665,494	S	8/2012	Stallard et al.		

(Continued)

**OTHER PUBLICATIONS**

Veliss et al., Parent U.S. Appl. No. 29/371,591, filed May 5, 2011.

*Primary Examiner* — Richard E Chilcot

(74) *Attorney, Agent, or Firm* — Nixon & Vanderhye P.C.

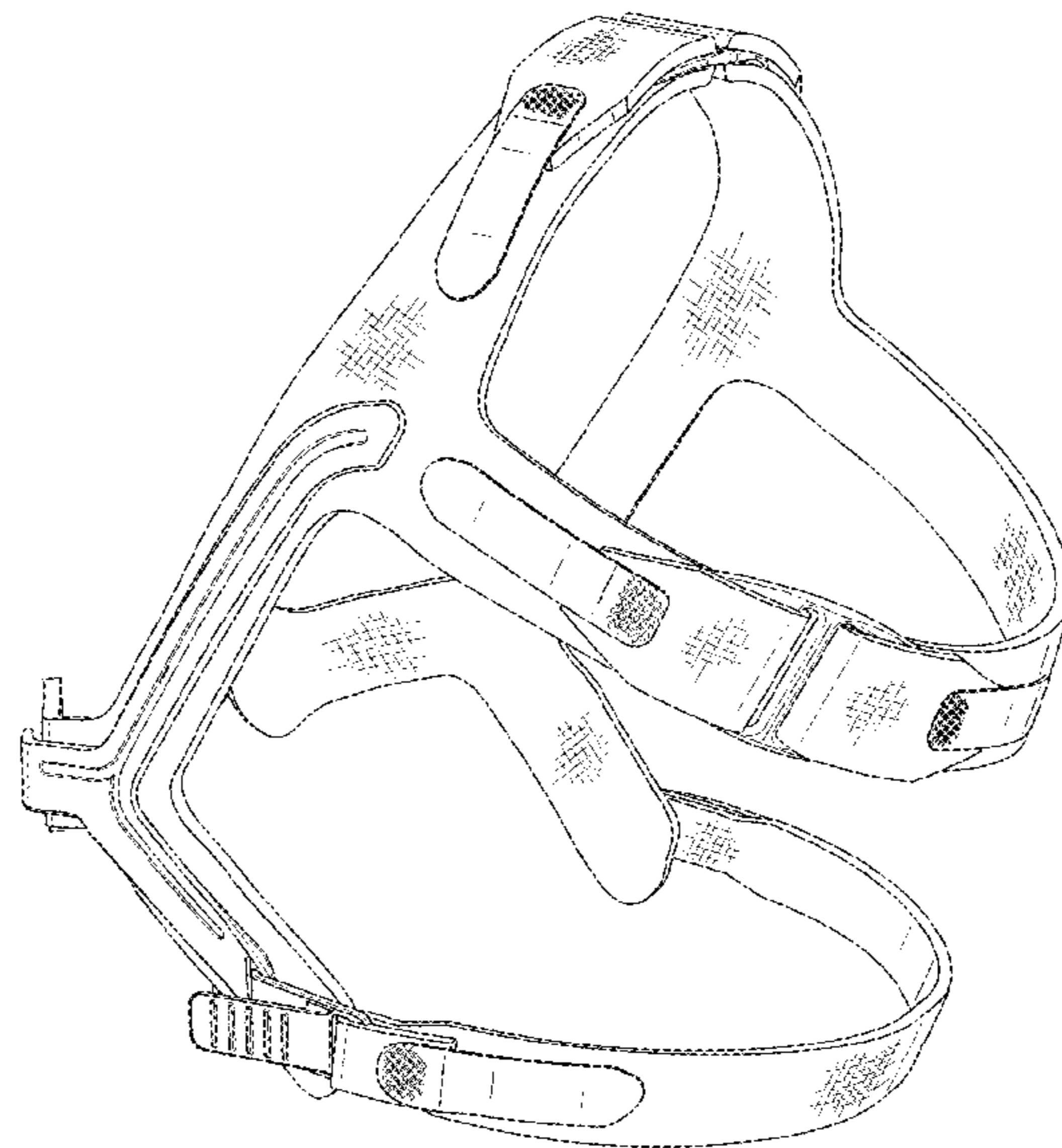
(57) **CLAIM**

The ornamental design for a headgear for a respiratory mask, as shown.

**DESCRIPTION**

FIG. 1 is a rear perspective view of a headgear for respiratory mask according to our new ornamental design;  
FIG. 2 is a front view thereof;  
FIG. 3 is a rear view thereof;  
FIG. 4 is a top view thereof;  
FIG. 5 is a bottom view thereof;  
FIG. 6 is a left side view thereof; and,  
FIG. 7 is a right side view thereof.

**1 Claim, 7 Drawing Sheets**



(56)

**References Cited**

U.S. PATENT DOCUMENTS

D668,328 S 10/2012 Hill et al.  
D673,259 S 12/2012 Davidson et al.  
D693,459 S \* 11/2013 Prentice et al. .... D24/110.4  
D696,767 S \* 12/2013 Scheiner et al. .... D24/110.1  
2003/0196655 A1\* 10/2003 Ging et al. .... 128/201.22

2005/0172969 A1 8/2005 Ging et al.  
2006/0137690 A1\* 6/2006 Gunaratnam et al. ... 128/206.11  
2009/0044808 A1\* 2/2009 Guney et al. .... 128/206.24  
2009/0126739 A1\* 5/2009 Ng et al. .... 128/205.25  
2009/0139527 A1\* 6/2009 Ng et al. .... 128/206.26  
2009/0183739 A1\* 7/2009 Wondka .... 128/207.18  
2009/0241961 A1\* 10/2009 McAuley et al. .... 128/205.25

\* cited by examiner

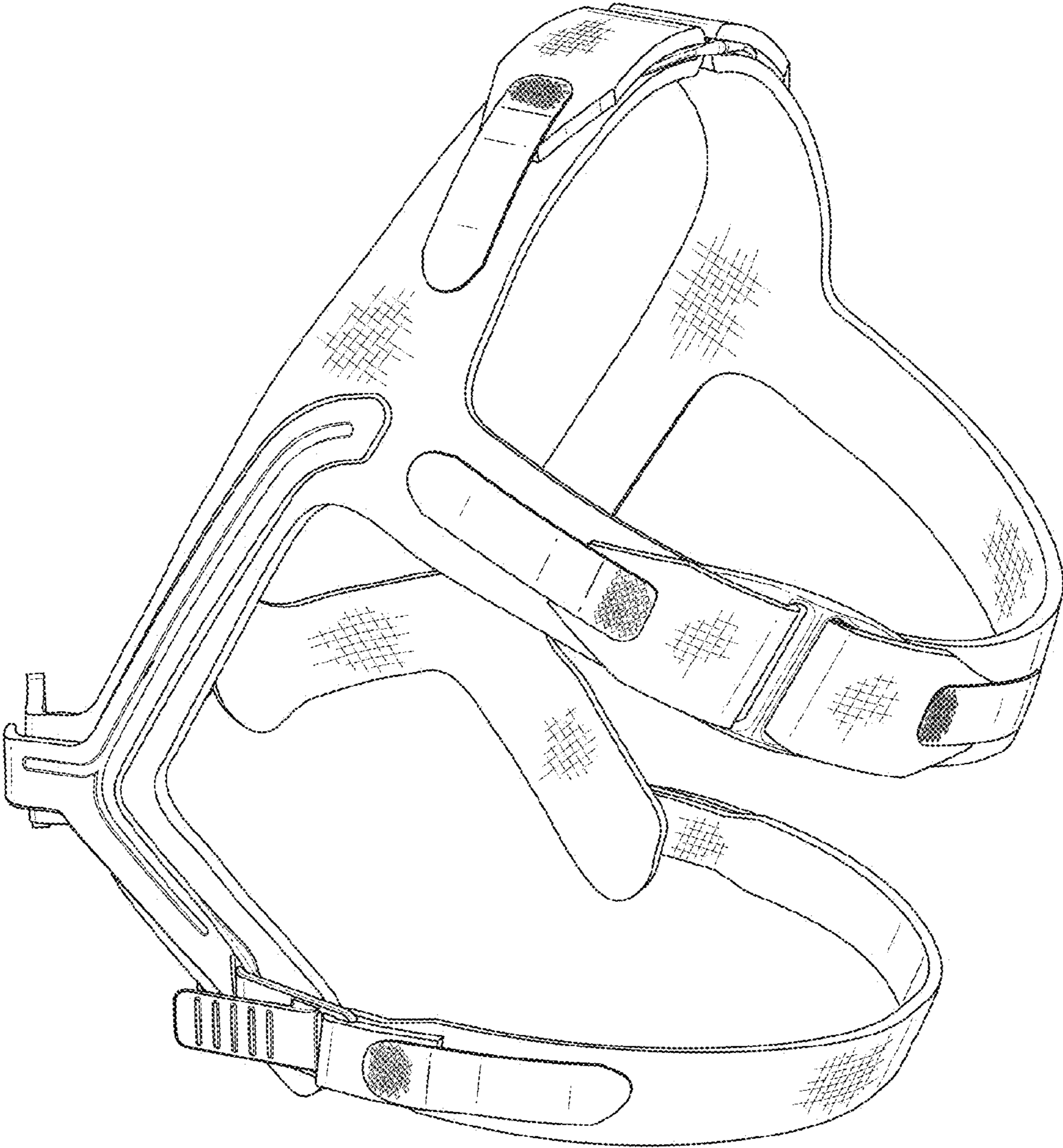


Figure 1

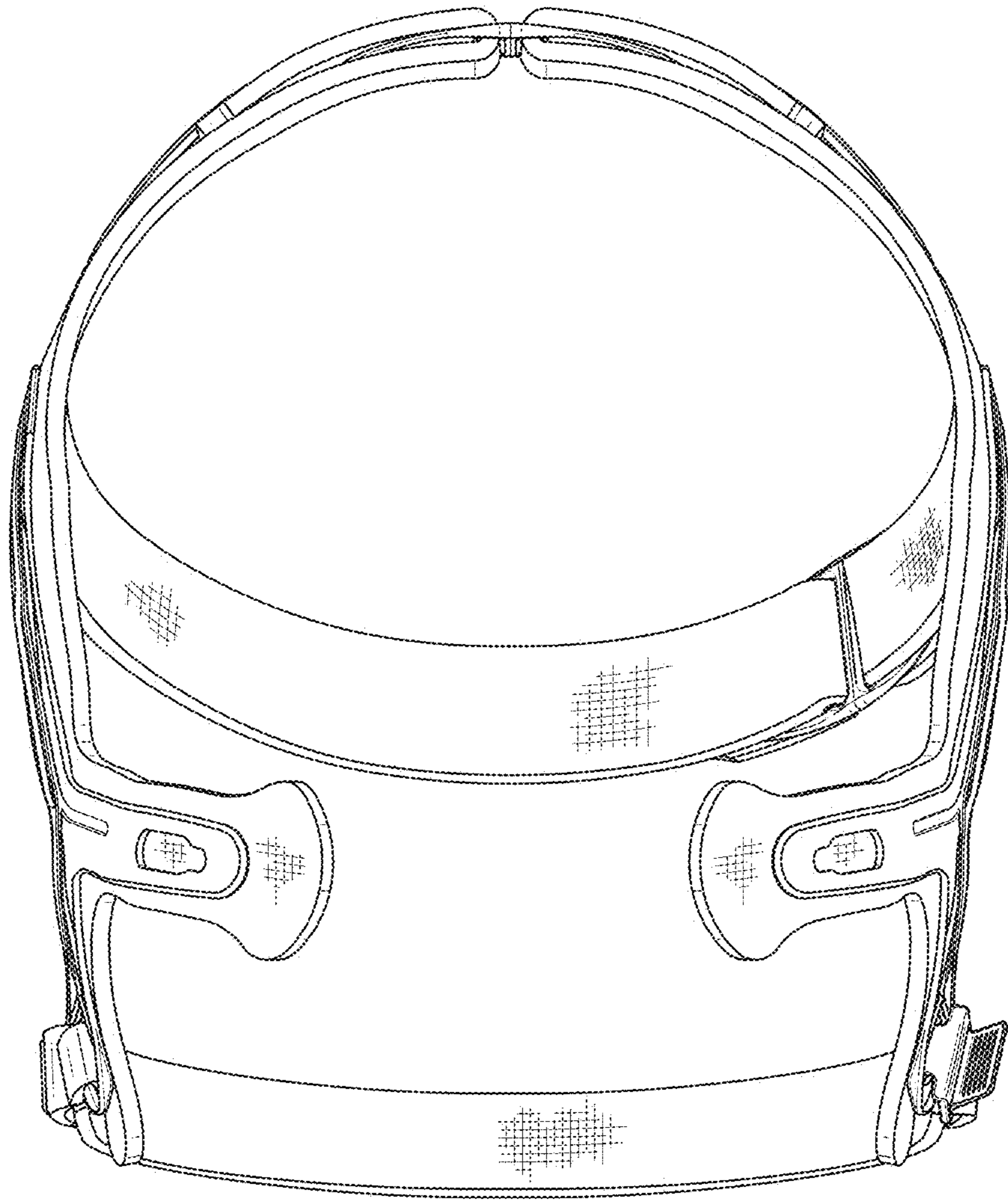


Figure 2

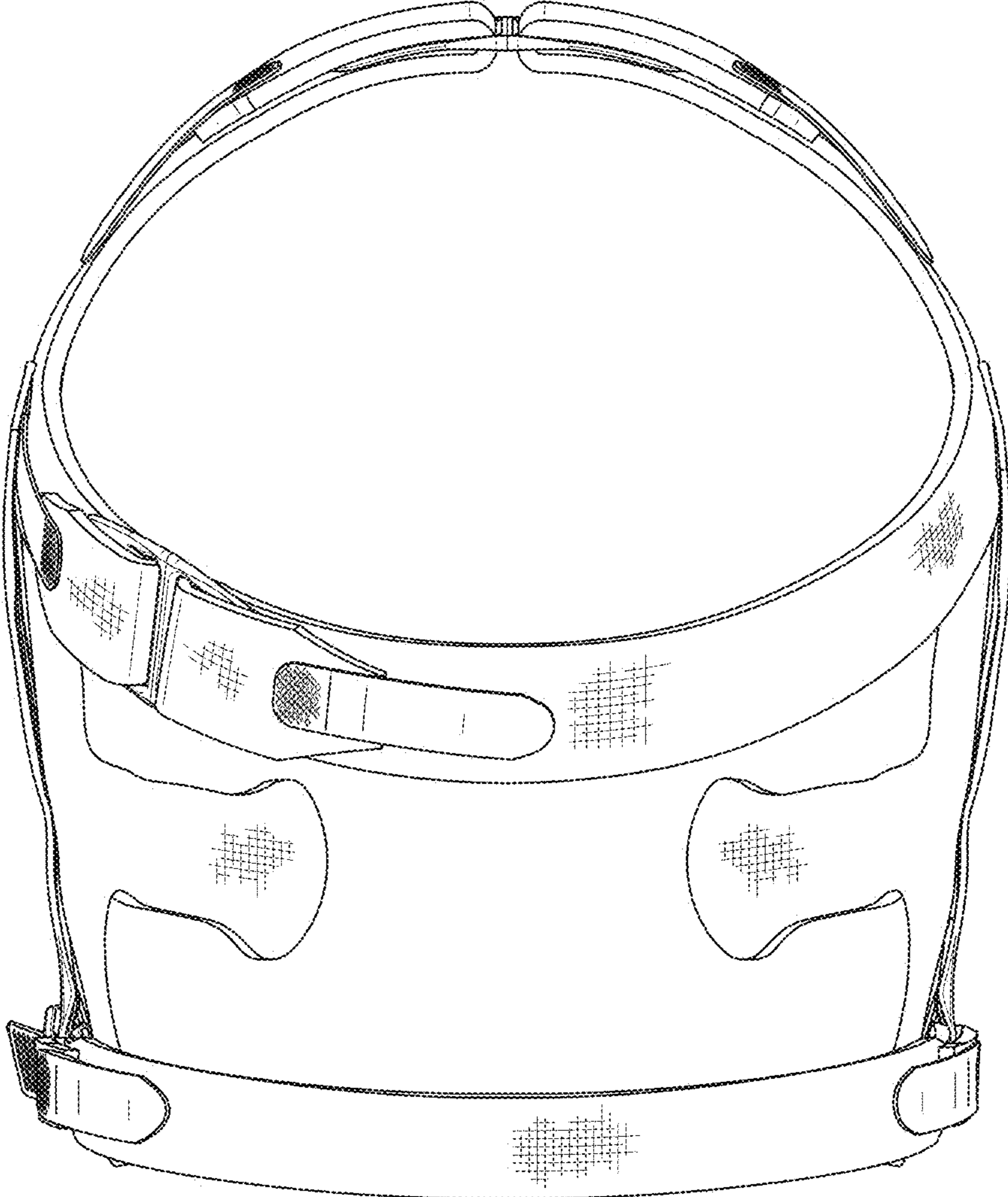


Figure 3

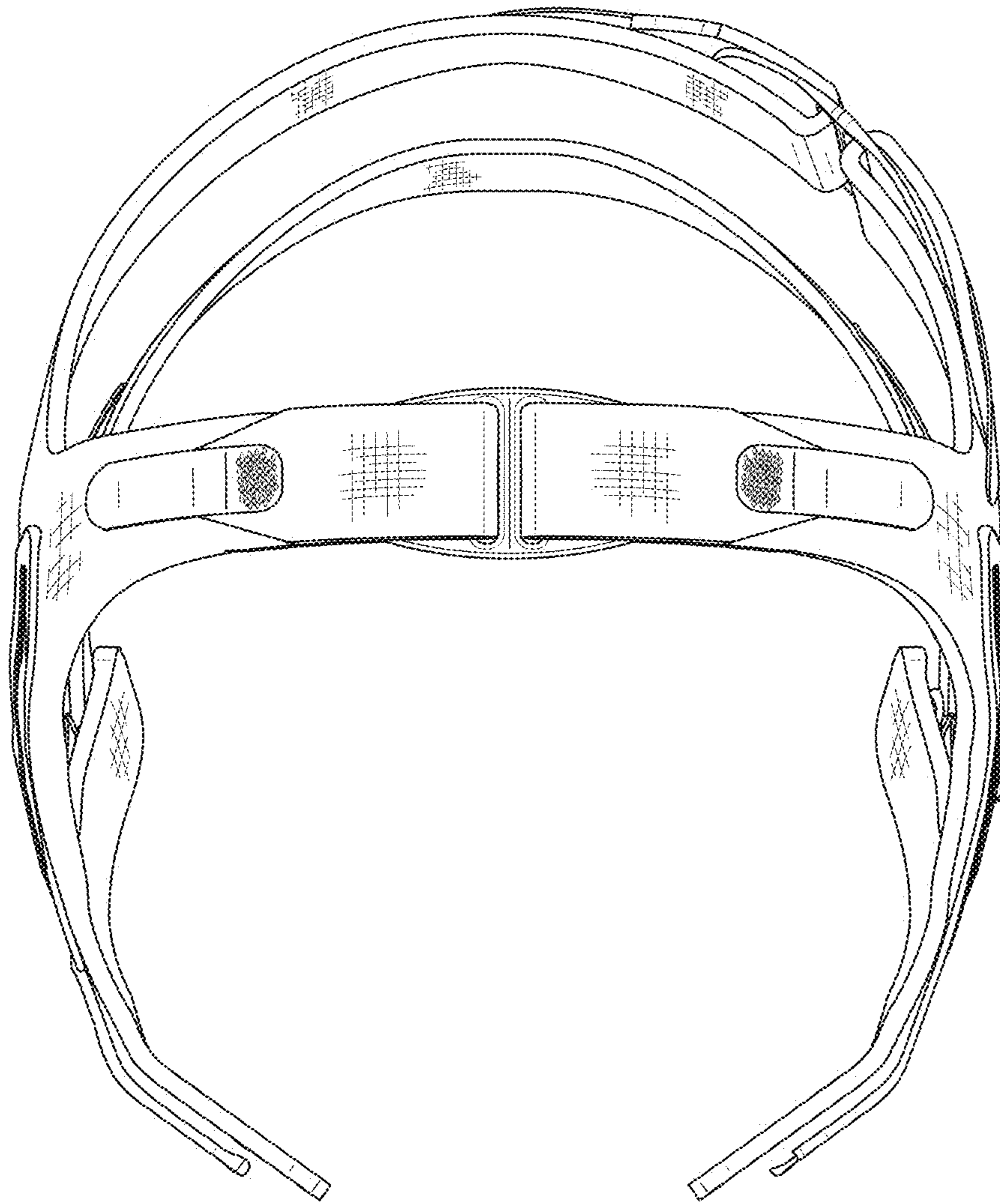


Figure 4

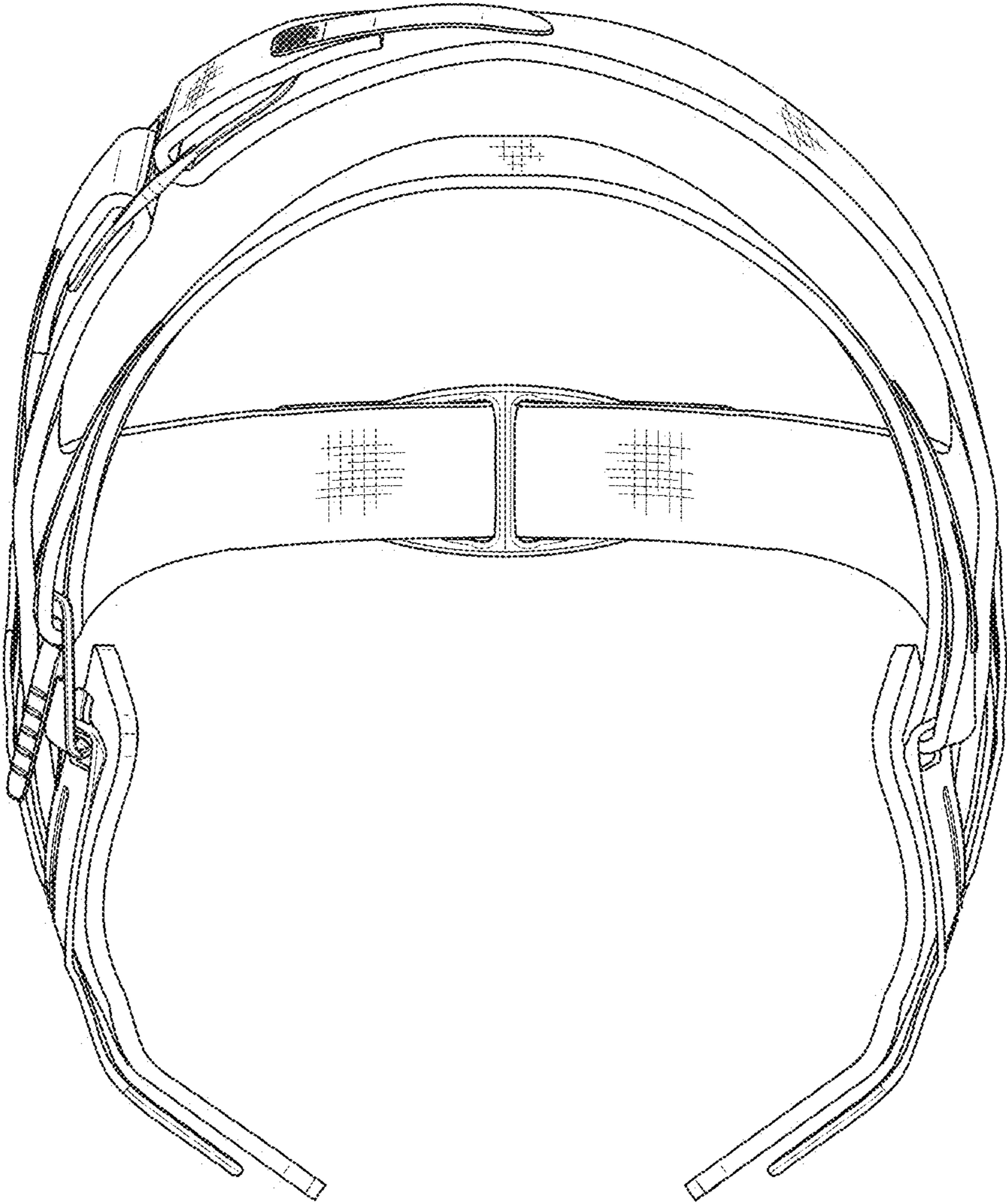


Figure 5

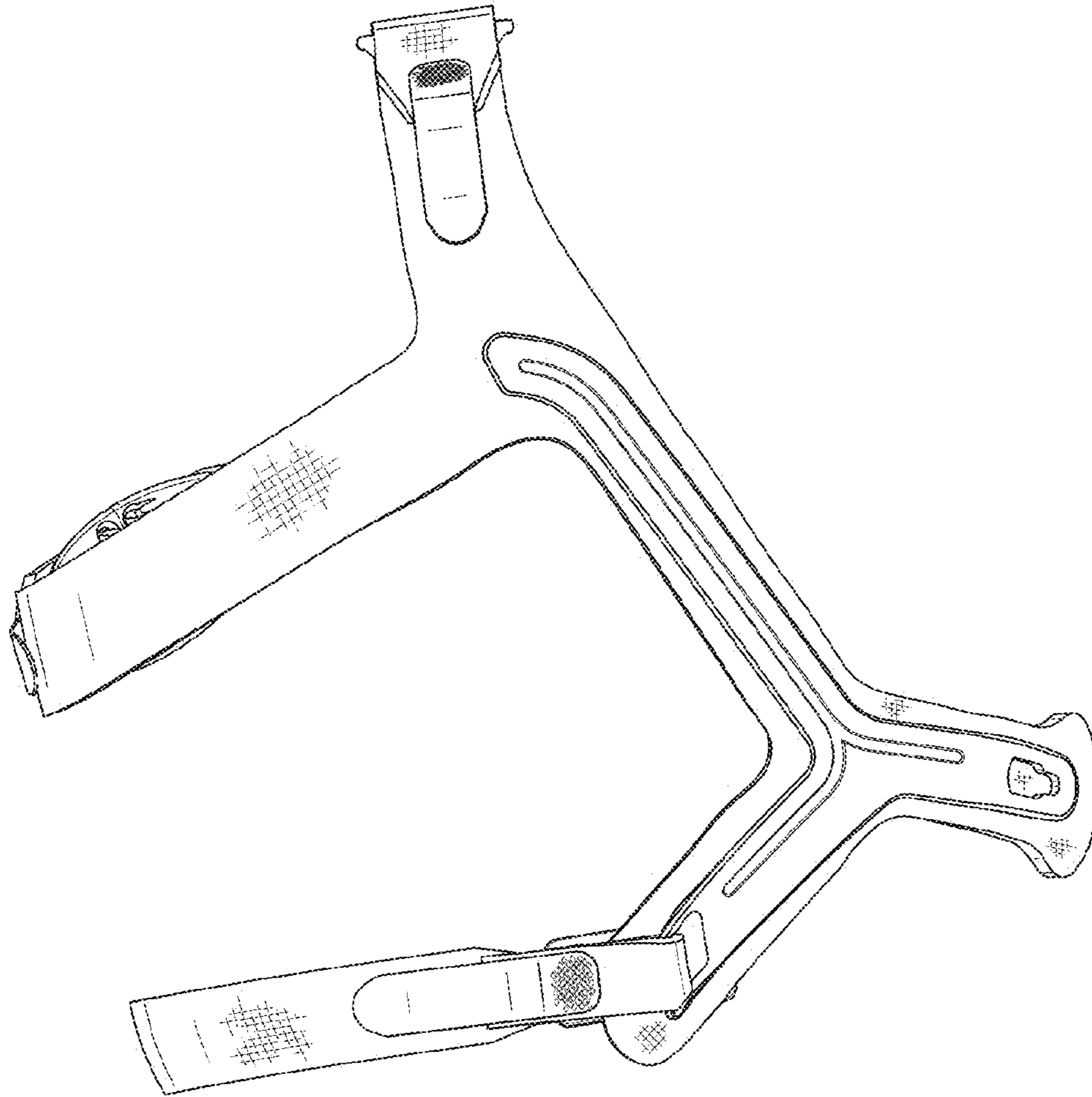


Figure 6



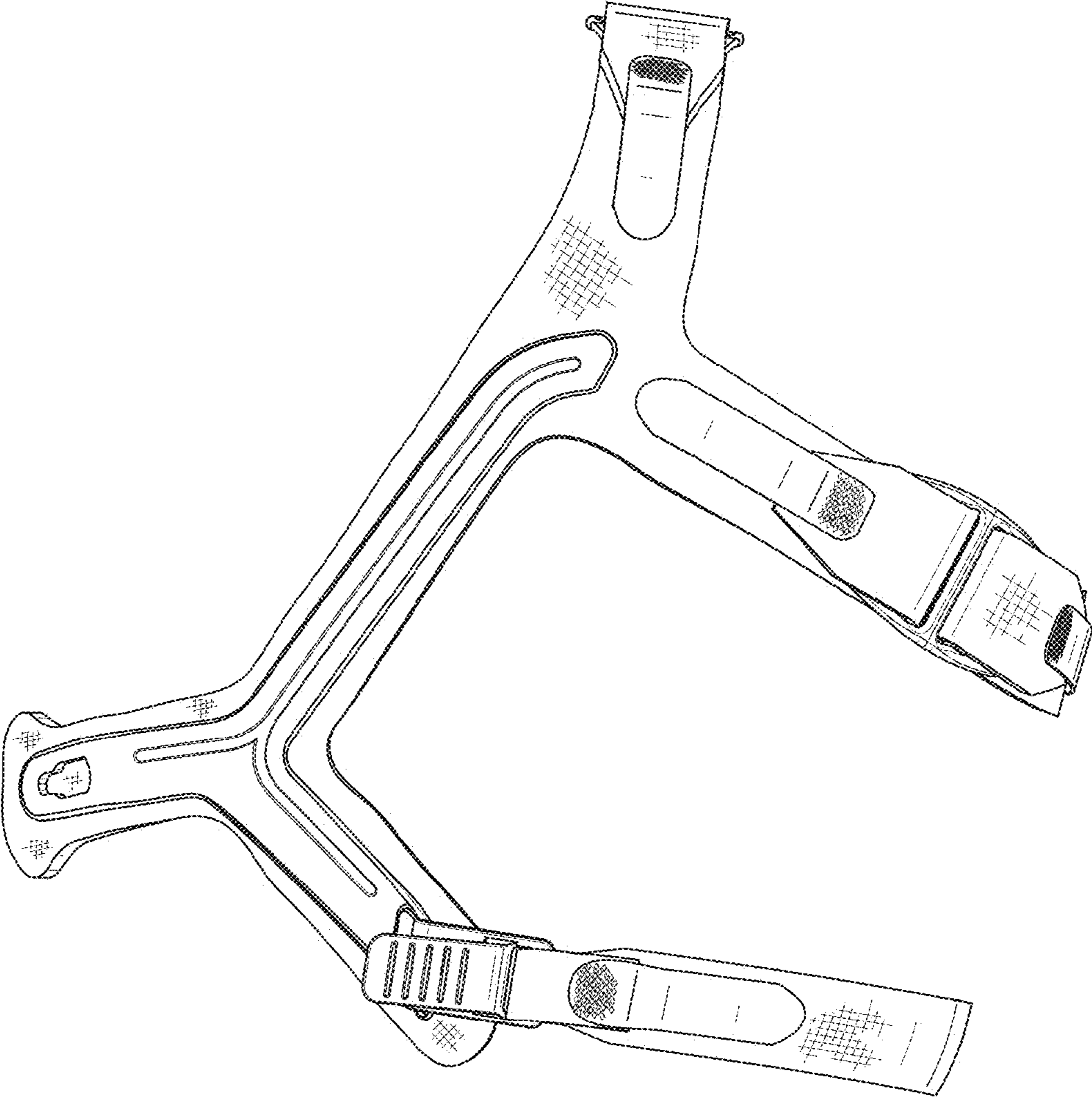


Figure 7