



US00D706410S

(12) **United States Design Patent**  
**Pan**

(10) **Patent No.:** **US D706,410 S**  
(45) **Date of Patent:** **\*\* Jun. 3, 2014**

(54) **CEILING FAN MOTOR HOUSING WITH LIGHT KIT**

(71) Applicant: **Air Cool Industrial Co., Ltd.**, Taichung (TW)

(72) Inventor: **Peter Pan**, Taichung (TW)

(73) Assignee: **Air Cool Industrial Co., Ltd.**, Taichung (TW)

(\*\*) Term: **14 Years**

(21) Appl. No.: **29/436,481**

(22) Filed: **Nov. 6, 2012**

(51) **LOC (10) Cl.** ..... **23-04**

(52) **U.S. Cl.**  
USPC ..... **D23/411; D26/59**

(58) **Field of Classification Search**  
CPC ..... F04D 25/088; F21V 33/0096  
USPC ..... D23/411-414, 324, 331, 343, 385, D23/370-384, 387, 499; D8/323, 327, 349, D8/354, 373, 380-387, 394, 397, 398; D11/78.1, 86; D26/59, 72, 51, 73, D26/80-83, 83-86, 88, 90; 16/265, 382, 16/388, 389; 248/188, 243, 398; 392/361, 392/364; 416/5, 170 R, 214 R, 184, 206, 416/207, 210 R, 220 R, 244 R, 248

See application file for complete search history.

(56) **References Cited**

**U.S. PATENT DOCUMENTS**

1,351,263	A *	8/1920	Scherf	.....	239/59
D89,900	S *	5/1933	Lippert	.....	D22/122
D118,738	S *	1/1940	Herring	.....	D26/51
D125,312	S *	2/1941	Logan	.....	D26/88
D240,829	S *	8/1976	Jones et al.	.....	D9/689
D304,229	S *	10/1989	Rezek	.....	D23/377

D328,638	S *	8/1992	Hsieh	.....	D23/377
5,151,011	A *	9/1992	Rezek	.....	416/5
D346,858	S *	5/1994	Lee	.....	D23/377
D370,704	S *	6/1996	Oberhoff	.....	D21/684
D396,530	S *	7/1998	Tai	.....	D23/377
D402,362	S *	12/1998	Pickett	.....	D23/377
D405,878	S *	2/1999	Tai	.....	D23/377
D425,610	S *	5/2000	Gee, II	.....	D23/377
D427,672	S *	7/2000	Lee	.....	D23/377
D434,844	S *	12/2000	Williams	.....	D23/377
D453,563	S *	2/2002	Bogazzi	.....	D23/377
D476,408	S *	6/2003	Hidalgo	.....	D23/411
D480,133	S *	9/2003	Chen	.....	D23/411
D483,105	S *	12/2003	Hsieh	.....	D23/377
D483,847	S *	12/2003	Tai	.....	D23/377
D485,608	S *	1/2004	Chen	.....	D23/377
D485,896	S *	1/2004	Chen	.....	D23/377
D505,196	S *	5/2005	Bacon et al.	.....	D23/411
6,913,443	B2 *	7/2005	Chen	.....	416/99
D515,693	S *	2/2006	Frampton et al.	.....	D23/411

(Continued)

*Primary Examiner* — Susan Bennett Hattan

*Assistant Examiner* — Marie Fast Horse

(74) *Attorney, Agent, or Firm* — Ming Chow; Sinorica, LLC

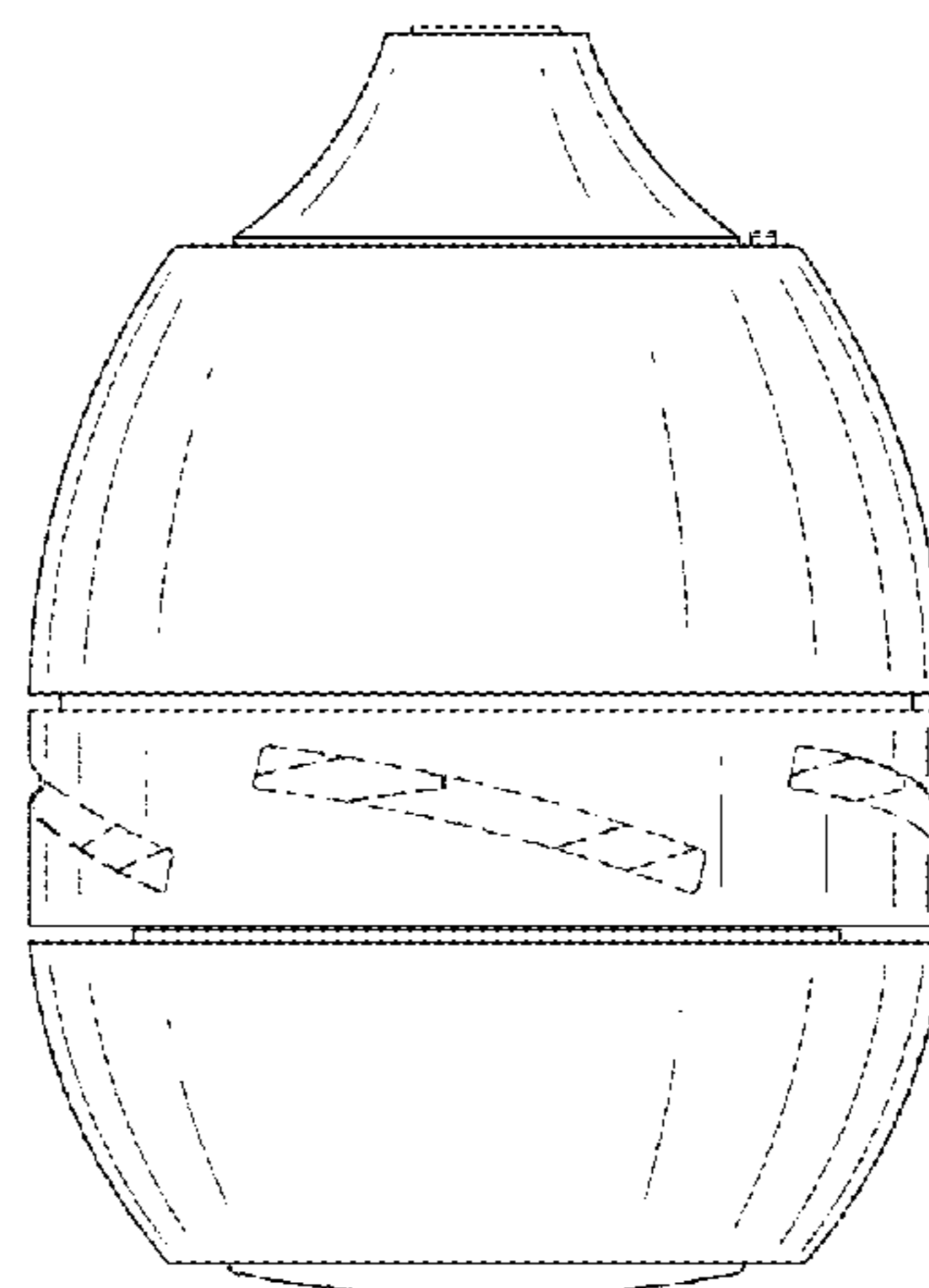
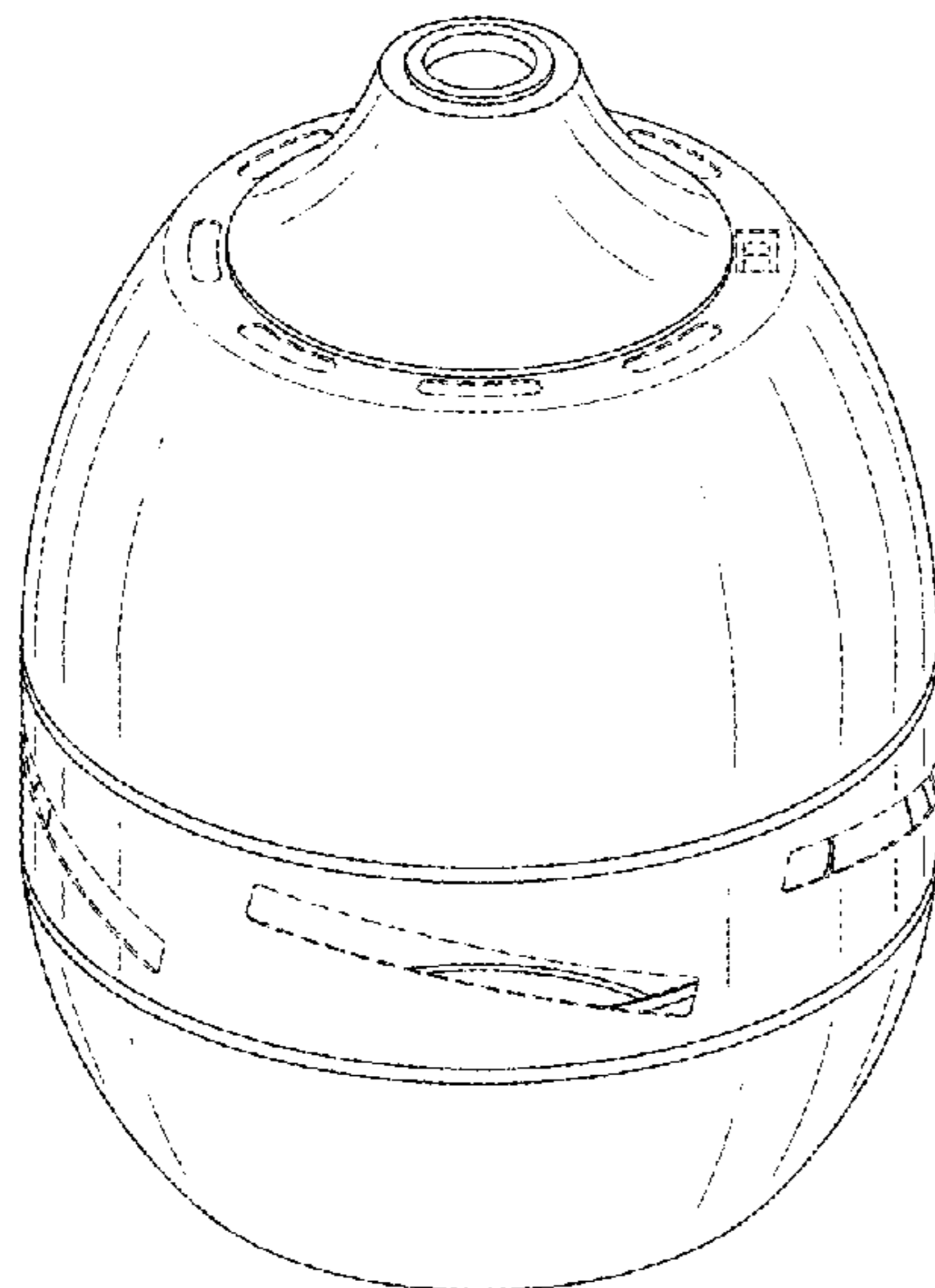
(57) **CLAIM**

I claim the ornamental design for a ceiling fan motor housing with light kit, as shown and described.

**DESCRIPTION**

FIG. 1 is a front perspective view of a ceiling fan motor housing with light kit showing my new design; FIG. 2 is a front elevational view thereof; FIG. 3 is a rear elevational view thereof; FIG. 4 is a left side elevational view thereof; FIG. 5 is a right side elevational view thereof; FIG. 6 is a top plan view thereof; and, FIG. 7 is a bottom plan view thereof. The broken lines in the drawings depict environmental subject matter only and form no part of the claimed design.

**1 Claim, 4 Drawing Sheets**



(56)

**References Cited**

U.S. PATENT DOCUMENTS

D516,198 S \* 2/2006 Frampton et al. .... D23/411  
 D516,703 S \* 3/2006 Gajewski ..... D23/411  
 D517,194 S \* 3/2006 Gerhardt et al. .... D23/411  
 D519,204 S \* 4/2006 Spina et al. .... D23/411  
 D519,625 S \* 4/2006 Young ..... D23/377  
 D521,142 S \* 5/2006 Gerhardt et al. .... D23/377  
 D523,138 S \* 6/2006 Burns ..... D23/411  
 D523,952 S \* 6/2006 Ertze ..... D23/411  
 D525,699 S \* 7/2006 Davenport et al. .... D23/377  
 D535,376 S \* 1/2007 Michaels et al. .... D23/366

D588,687 S \* 3/2009 Drucker et al. .... D23/366  
 D617,439 S \* 6/2010 Valentino et al. .... D23/367  
 D621,494 S \* 8/2010 Li ..... D23/366  
 D622,835 S \* 8/2010 Mendheim ..... D23/364  
 D678,499 S \* 3/2013 Pan ..... D23/411  
 8,459,508 B2 \* 6/2013 Westphal ..... 222/183  
 8,474,663 B2 \* 7/2013 Westphal ..... 222/183  
 D693,625 S \* 11/2013 Facey ..... D7/354  
 D696,763 S \* 12/2013 Li ..... D23/366  
 2003/0080197 A1 \* 5/2003 Tuomikoski et al. .... 239/44  
 2009/0129974 A1 \* 5/2009 McEllen ..... 422/24  
 2012/0268943 A1 \* 10/2012 Walczak et al. .... 362/294  
 2013/0128564 A1 \* 5/2013 Lin ..... 362/184

\* cited by examiner

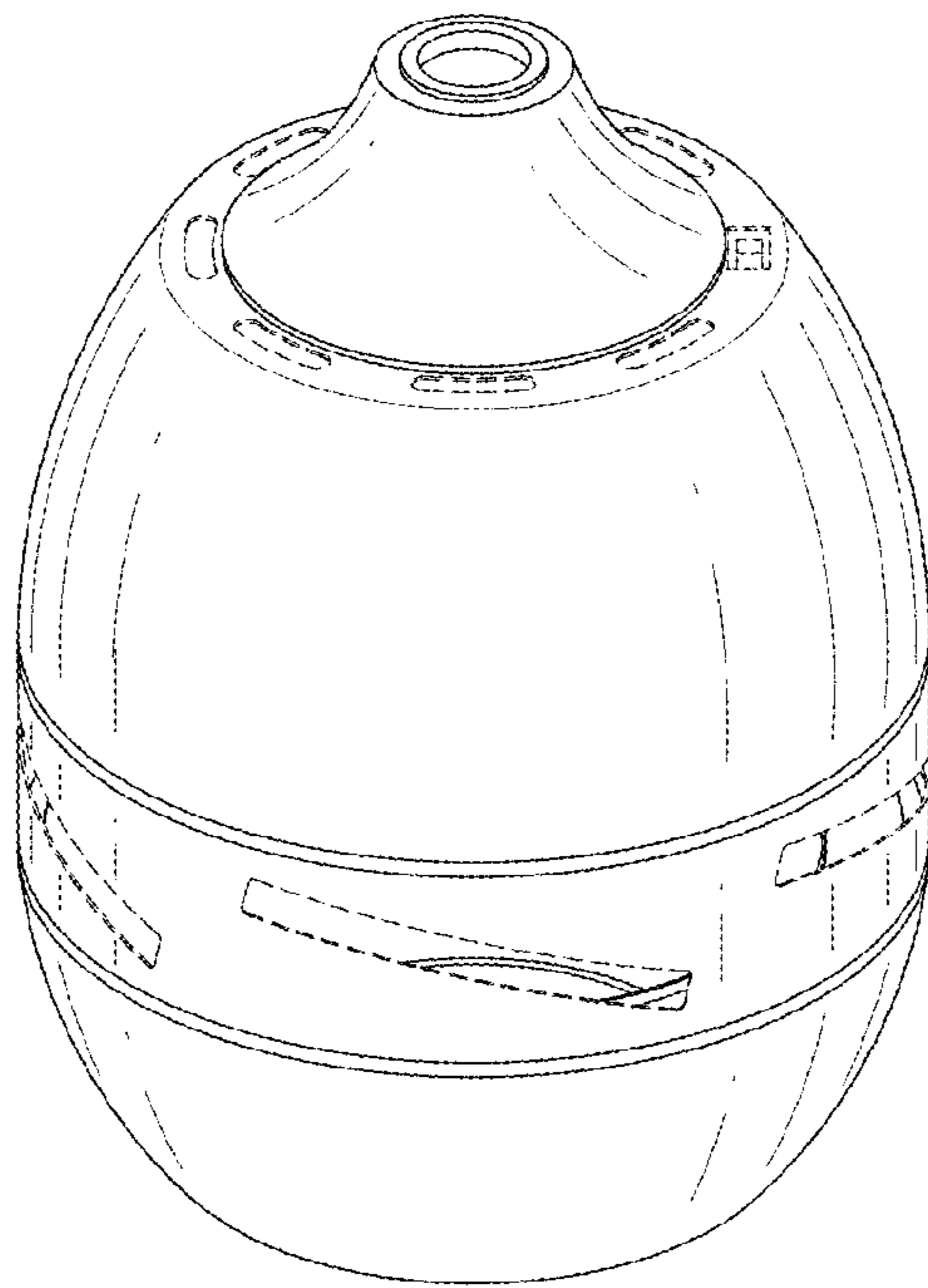


FIG. 1

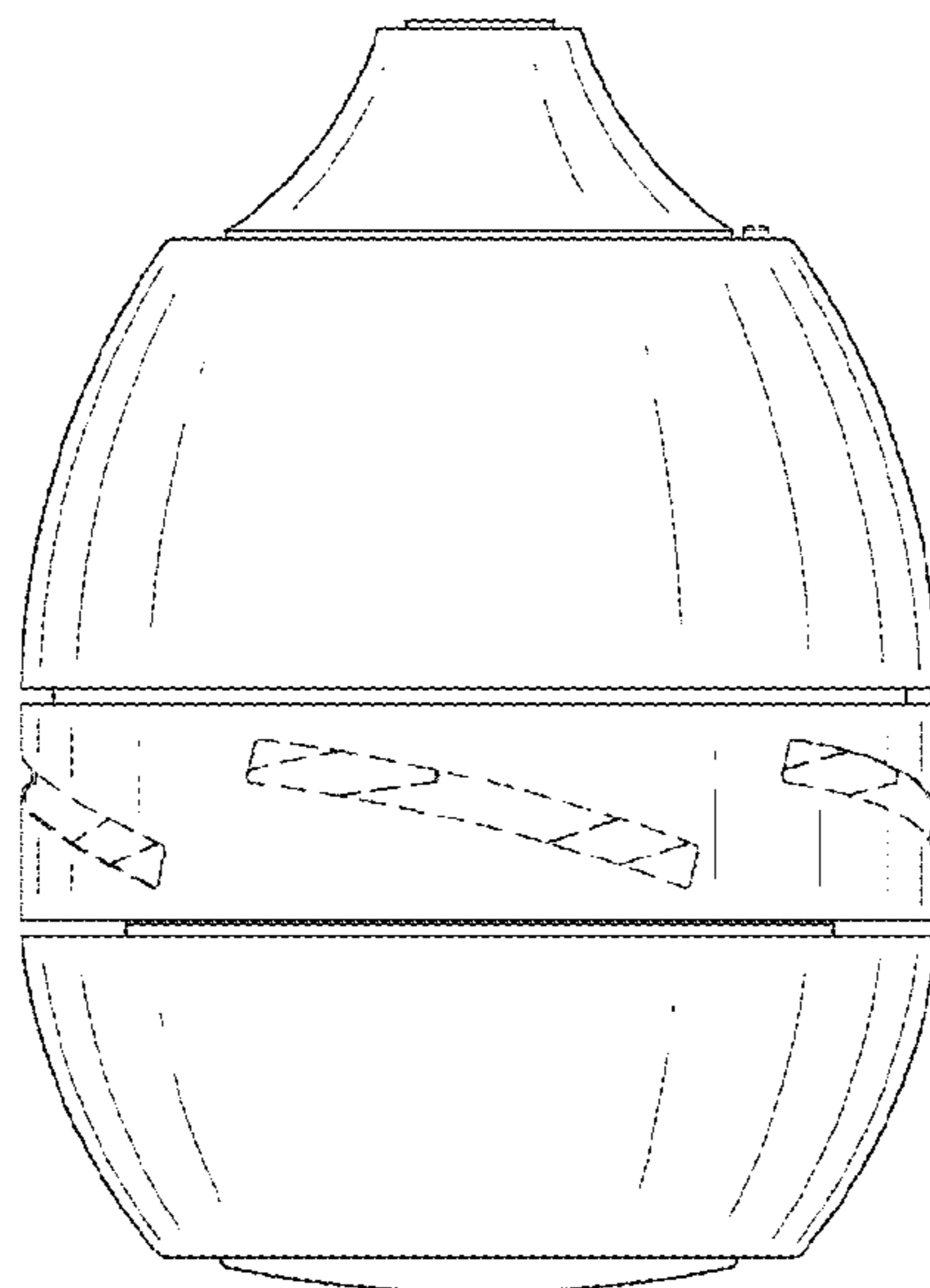


FIG. 2

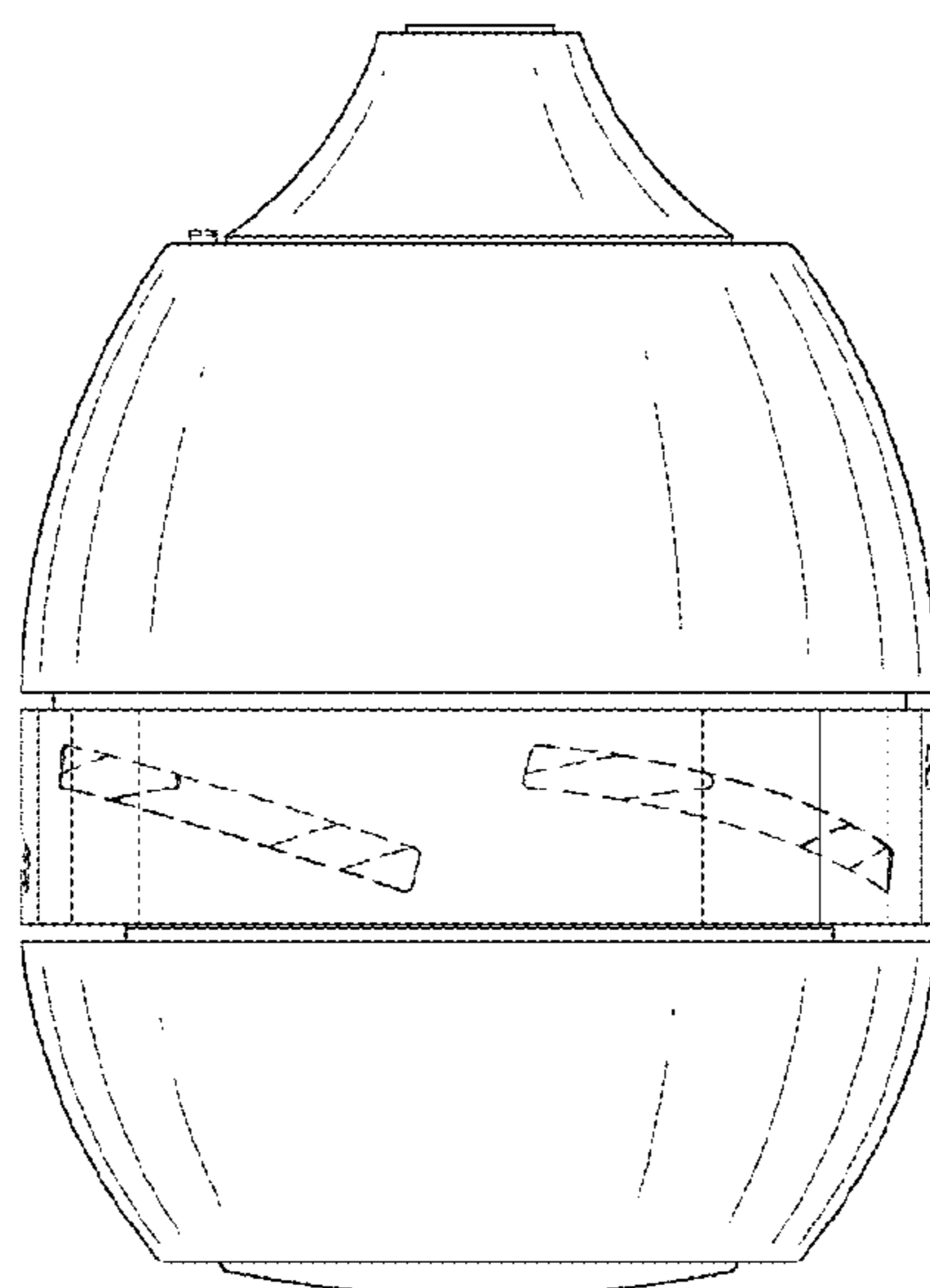


FIG. 3

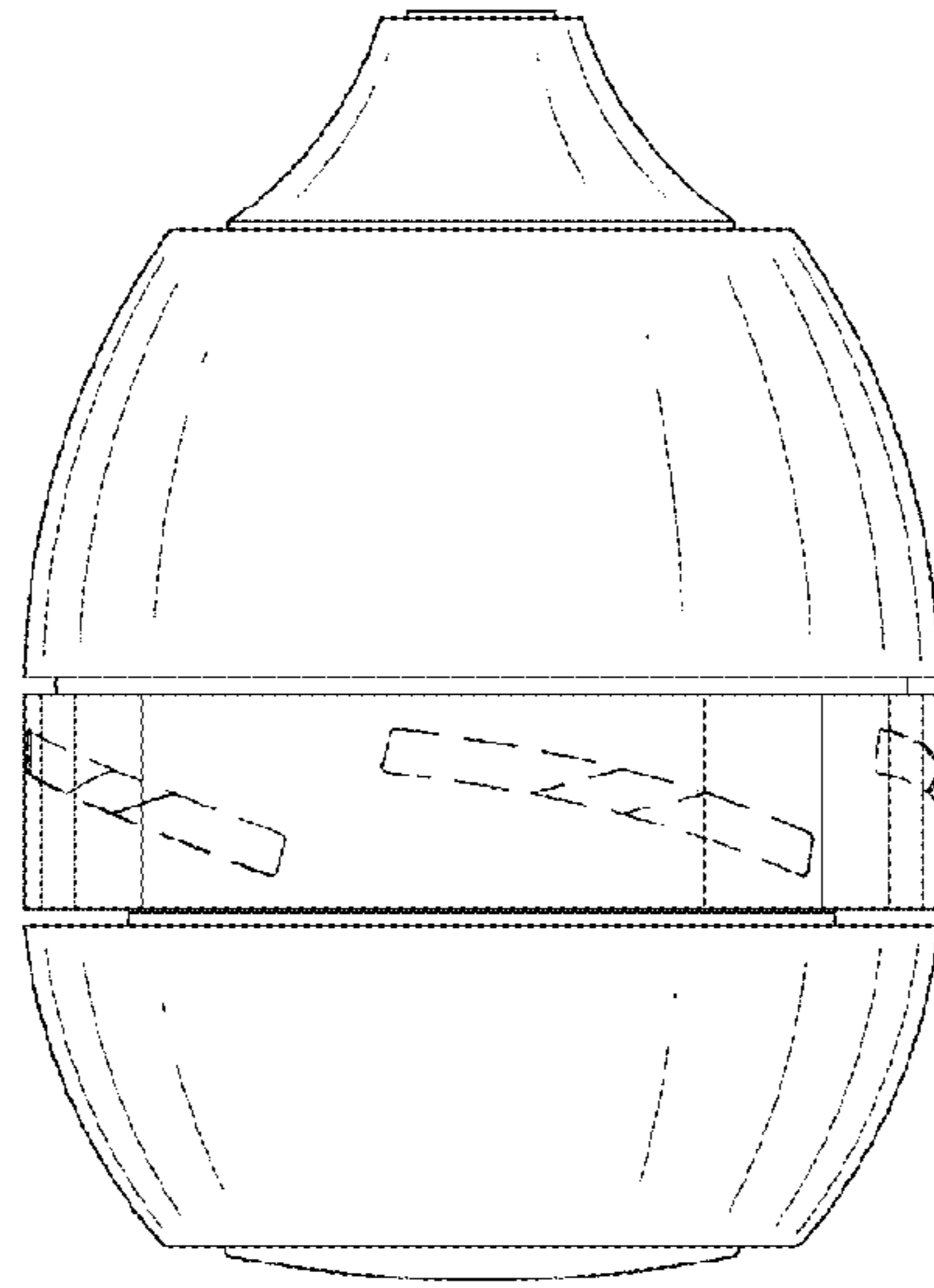


FIG. 4

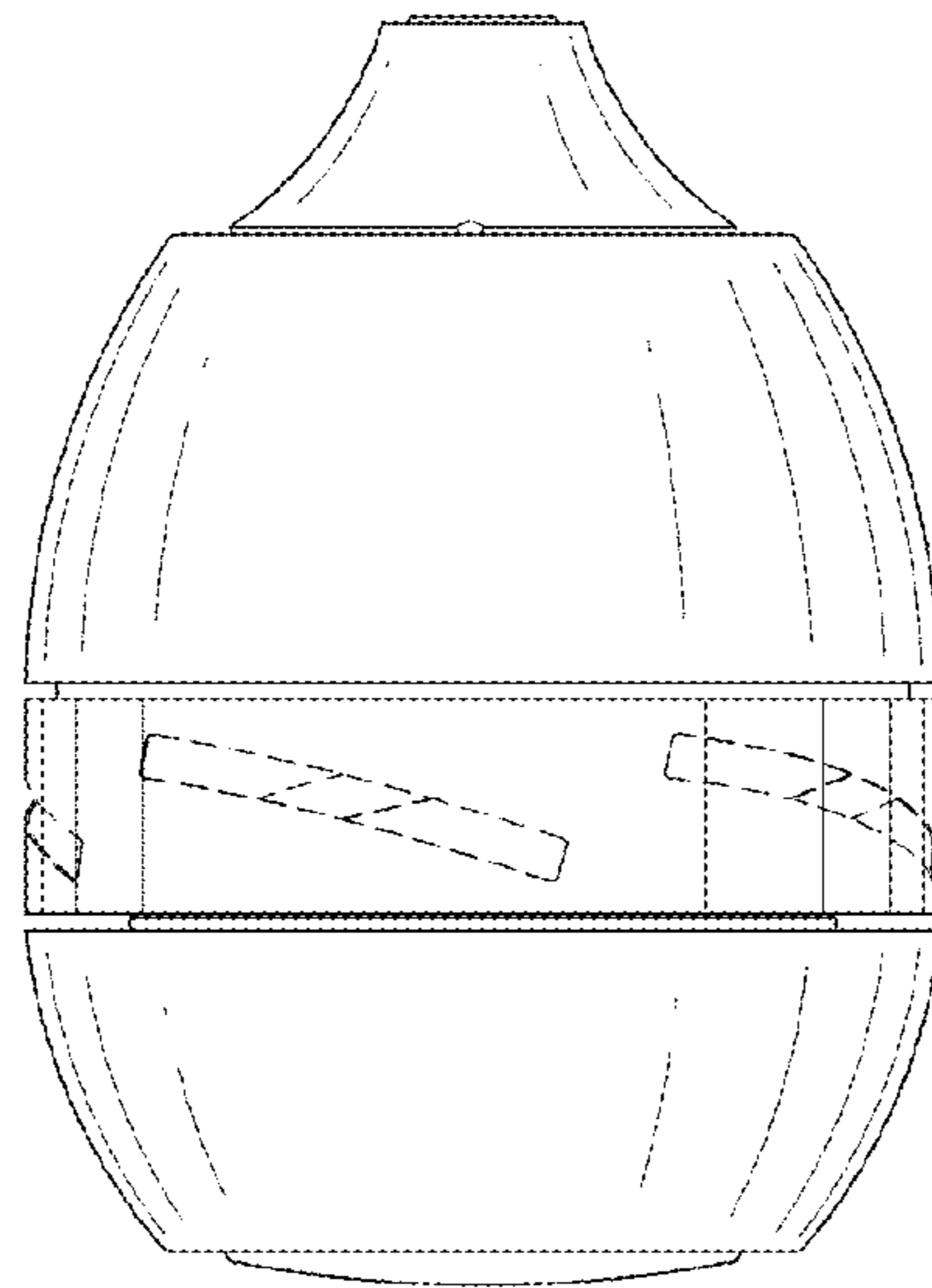


FIG. 5

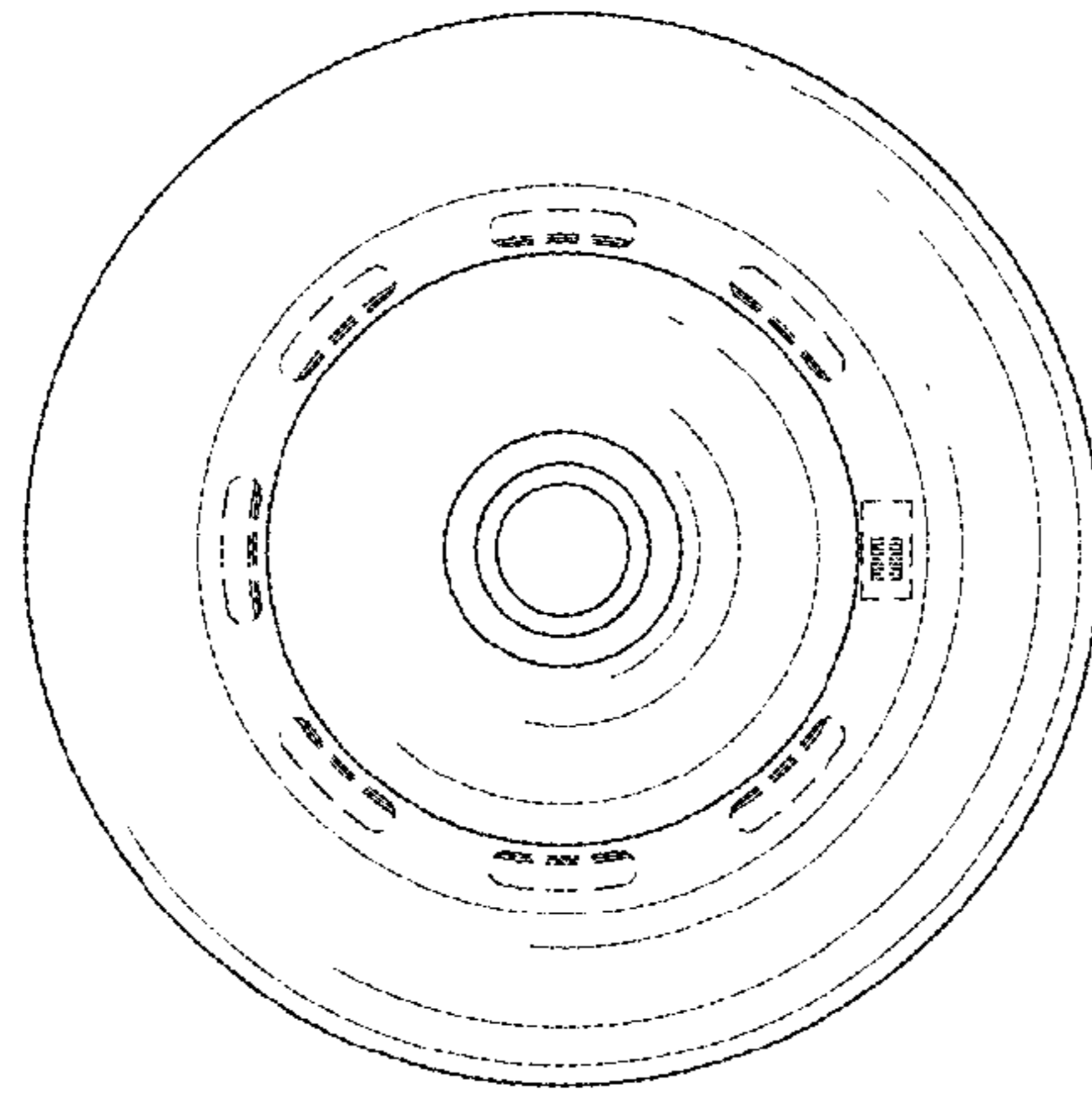


FIG. 6

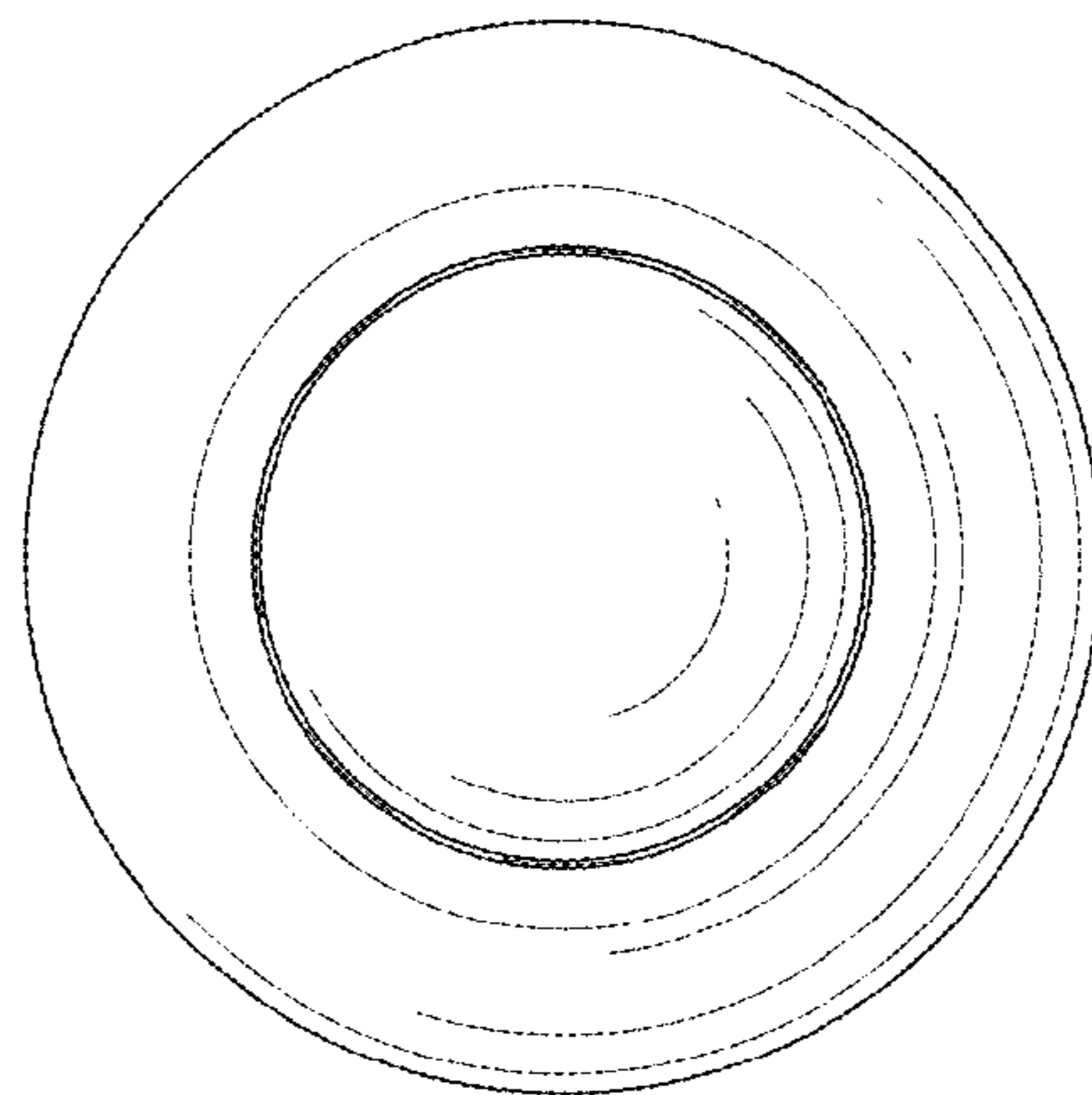


FIG. 7