



US00D706409S

(12) **United States Design Patent**  
**Wang**

(10) **Patent No.:** **US D706,409 S**  
(45) **Date of Patent:** **\*\* Jun. 3, 2014**

- (54) **FAN BLADE BRACKET**
- (75) Inventor: **Cliff Wang**, Taichung (TW)
- (73) Assignee: **Air Cool Industrial Co., Ltd.**, Taichung (TW)
- (\*\*) Term: **14 Years**
- (21) Appl. No.: **29/428,595**
- (22) Filed: **Aug. 1, 2012**
- (51) **LOC (10) Cl.** ..... **23-04**
- (52) **U.S. Cl.**  
USPC ..... **D23/411**
- (58) **Field of Classification Search**  
CPC ..... F04D 25/088; F04D 29/34; F04D 29/322;  
F04D 29/384; F01D 5/3015; F01D 5/323;  
F01D 5/30; F01D 25/28; F05D 2250/70;  
F05D 2240/80; F24F 2221/14; B63H 1/20;  
F21V 21/104; F21V 33/0096  
USPC ..... D23/411-414, 324, 331, 343, 385,  
D23/370-384, 387, 499; D8/323, 327, 349,  
D8/354, 373, 380-387, 394, 397, 398;  
D11/78.1, 86; 16/265, 382, 388, 389;  
392/364; 248/188.4, 243, 398, 342;  
310/91, 348; 416/5, 170 R, 214 R, 184,  
416/206, 207, 210 R, 220 R, 244 R, 248  
See application file for complete search history.

(56) **References Cited**

**U.S. PATENT DOCUMENTS**

D323,282 S *	1/1992	Gisiger	.....	D8/331
D324,167 S *	2/1992	Greco	.....	D8/331
D328,951 S *	8/1992	Scofield et al.	.....	D23/411
D445,891 S *	7/2001	Hsieh	.....	D23/411
D464,132 S *	10/2002	Campbell	.....	D23/411
D477,399 S *	7/2003	Johnson	.....	D23/411
D479,318 S *	9/2003	Johnson	.....	D23/411
D482,773 S *	11/2003	Young	.....	D23/411
6,863,499 B2 *	3/2005	Pearce	.....	416/210 R

D506,251 S *	6/2005	Young	.....	D23/411
D522,129 S *	5/2006	Hidalgo	.....	D23/411
D532,104 S *	11/2006	Pickett	.....	D23/411
D533,654 S *	12/2006	Burns	.....	D23/411
D551,337 S *	9/2007	Pickett	.....	D23/411
D552,229 S *	10/2007	Shurtleff	.....	D23/411
D573,245 S *	7/2008	Pan	.....	D23/411
D579,316 S *	10/2008	Lee	.....	D8/331
D581,512 S *	11/2008	Hidalgo	.....	D23/411
D581,515 S *	11/2008	Pickett	.....	D23/411
D591,845 S *	5/2009	Smith	.....	D23/411
D594,540 S *	6/2009	Pan	.....	D23/377
D594,549 S *	6/2009	Pan	.....	D23/411
D594,550 S *	6/2009	Pan	.....	D23/411
D627,870 S *	11/2010	Wang	.....	D23/411
D645,725 S *	9/2011	Katz et al.	.....	D8/327
8,047,794 B2 *	11/2011	Wang	.....	416/210 R
D699,338 S *	2/2014	Wang	.....	D23/385
2009/0004015 A1 *	1/2009	Wang	.....	416/210 R
2009/0035144 A1 *	2/2009	Wang	.....	416/220 R

\* cited by examiner

*Primary Examiner* — Susan Bennett Hattan

*Assistant Examiner* — Marie Fast Horse

(74) *Attorney, Agent, or Firm* — Ming Chow; Sinorica, LLC

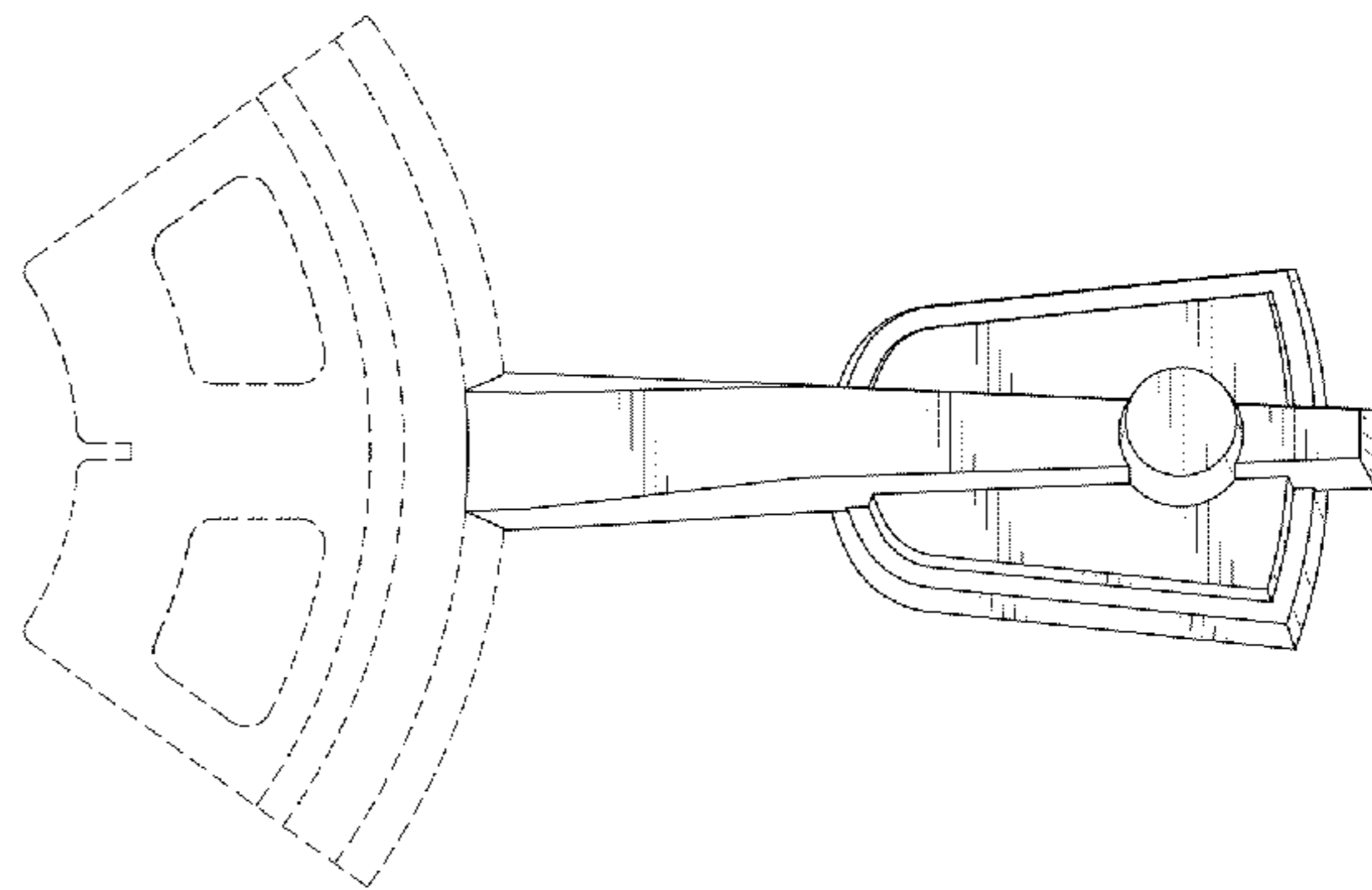
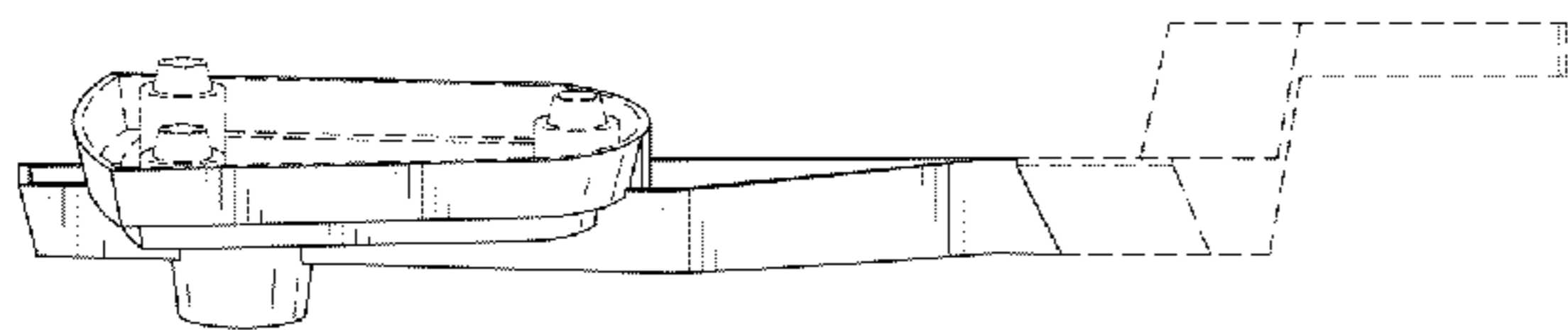
(57) **CLAIM**

I claim the ornamental design for a fan blade bracket, as shown and described.

**DESCRIPTION**

FIG. 1 is a front perspective view of a fan blade bracket showing my new design;  
 FIG. 2 is a front elevational view thereof;  
 FIG. 3 is a rear elevational view thereof.  
 FIG. 4 is a left side elevational view thereof;  
 FIG. 5 is a right side elevational view thereof;  
 FIG. 6 is a top plan view thereof; and,  
 FIG. 7 is a bottom plan view thereof.  
 The broken lines in the drawings depict environmental subject matter only and form no part of the claimed design.

**1 Claim, 5 Drawing Sheets**



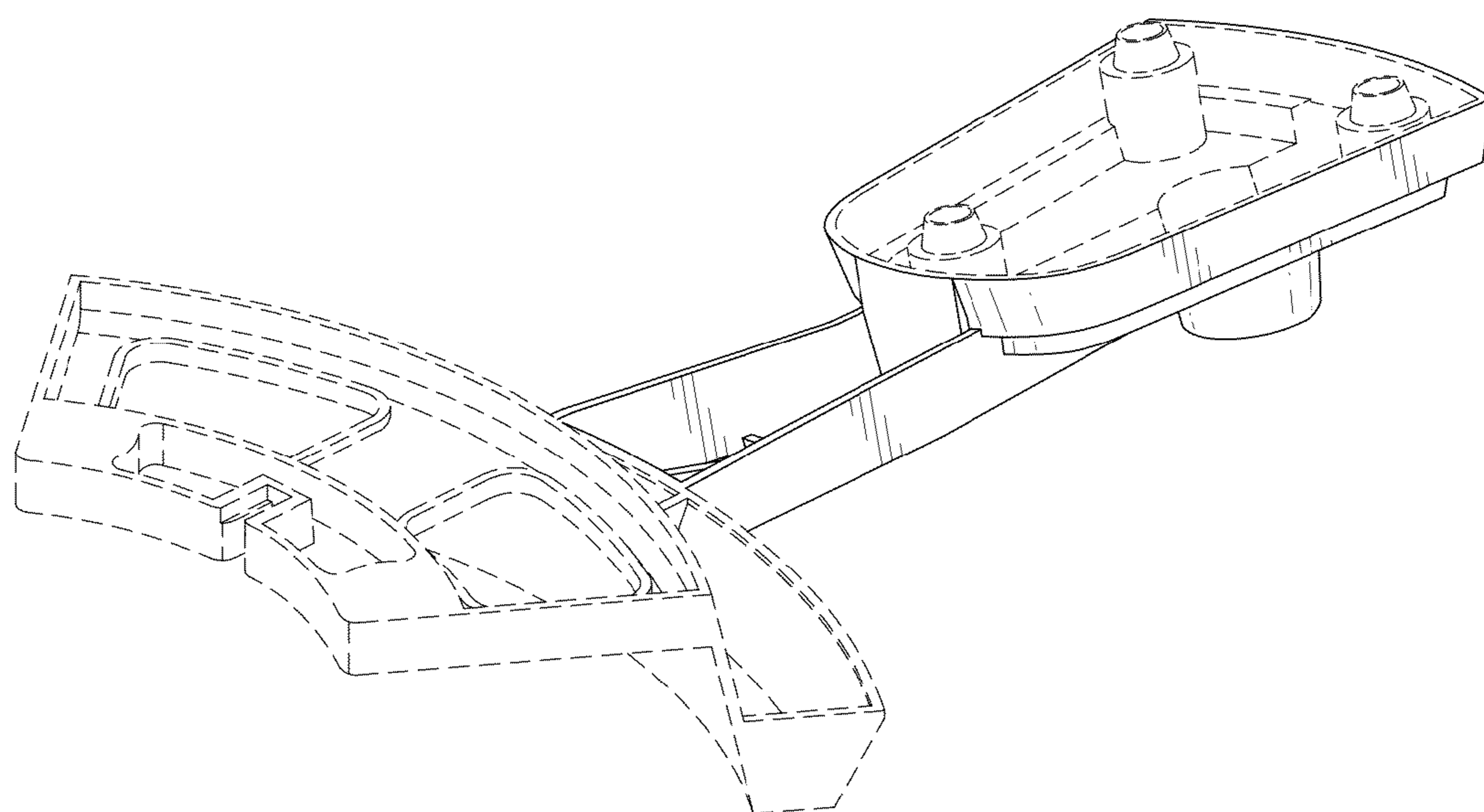


FIG. 1

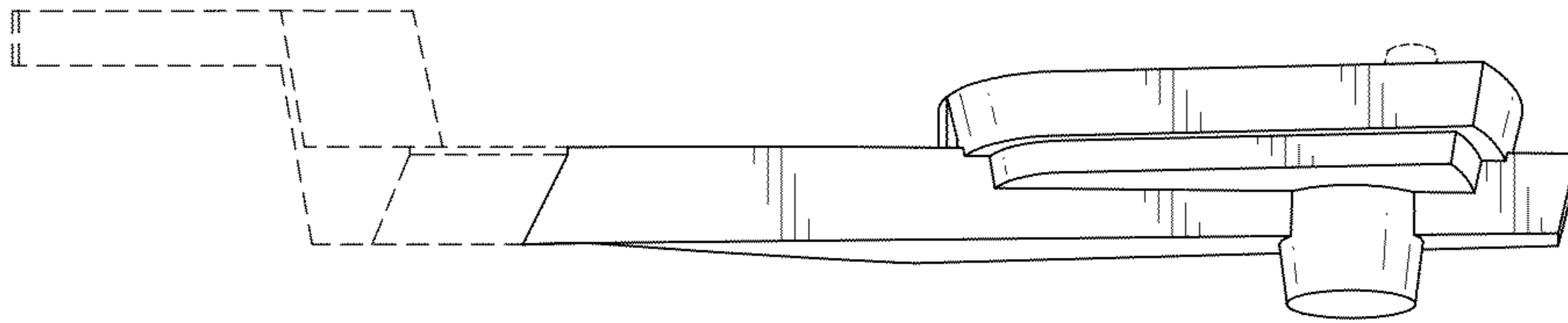


FIG. 2

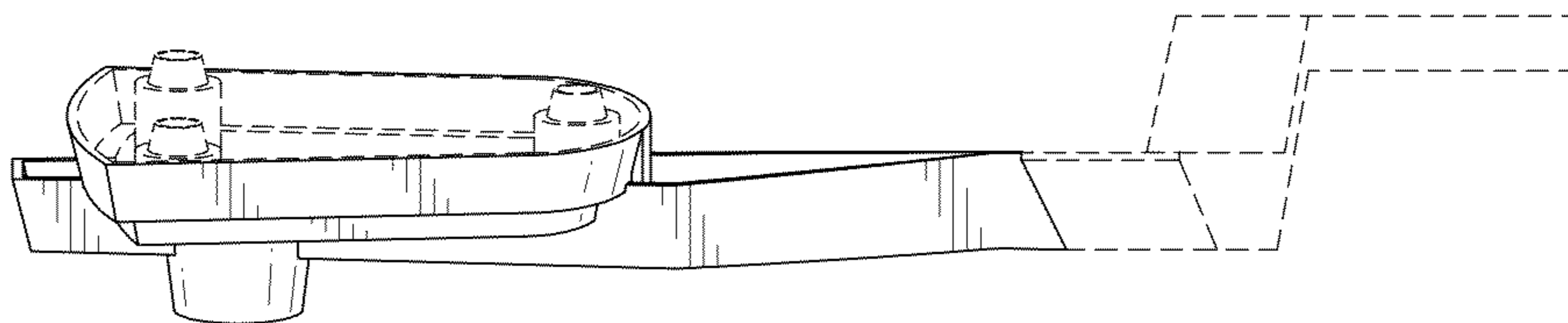


FIG. 3

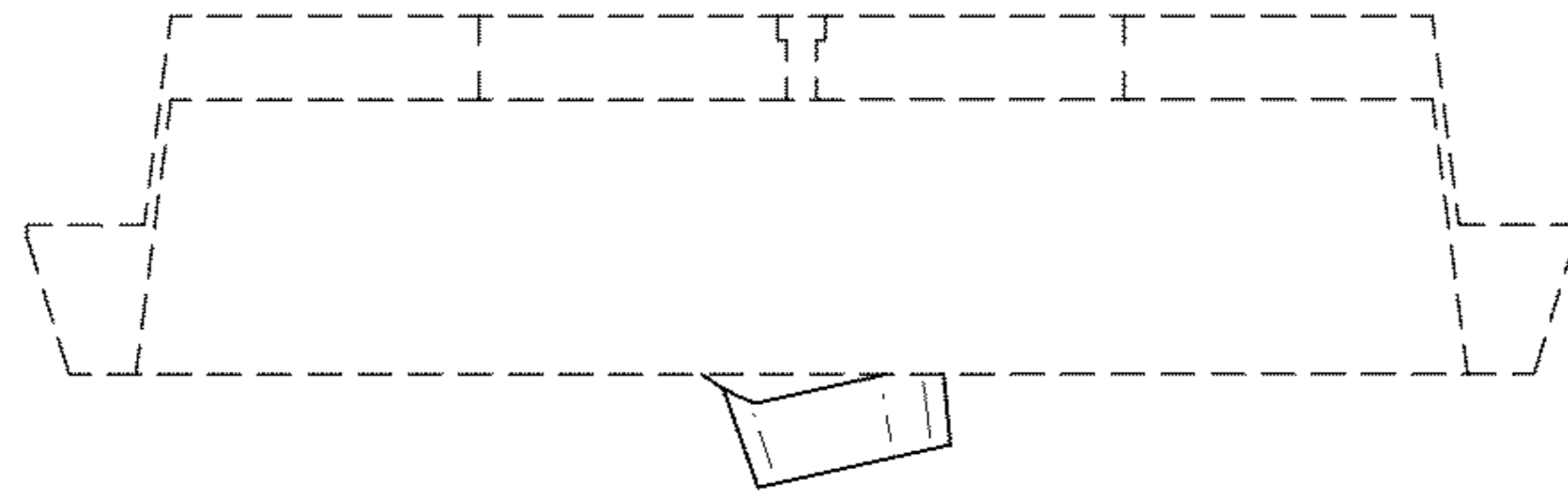


FIG. 4

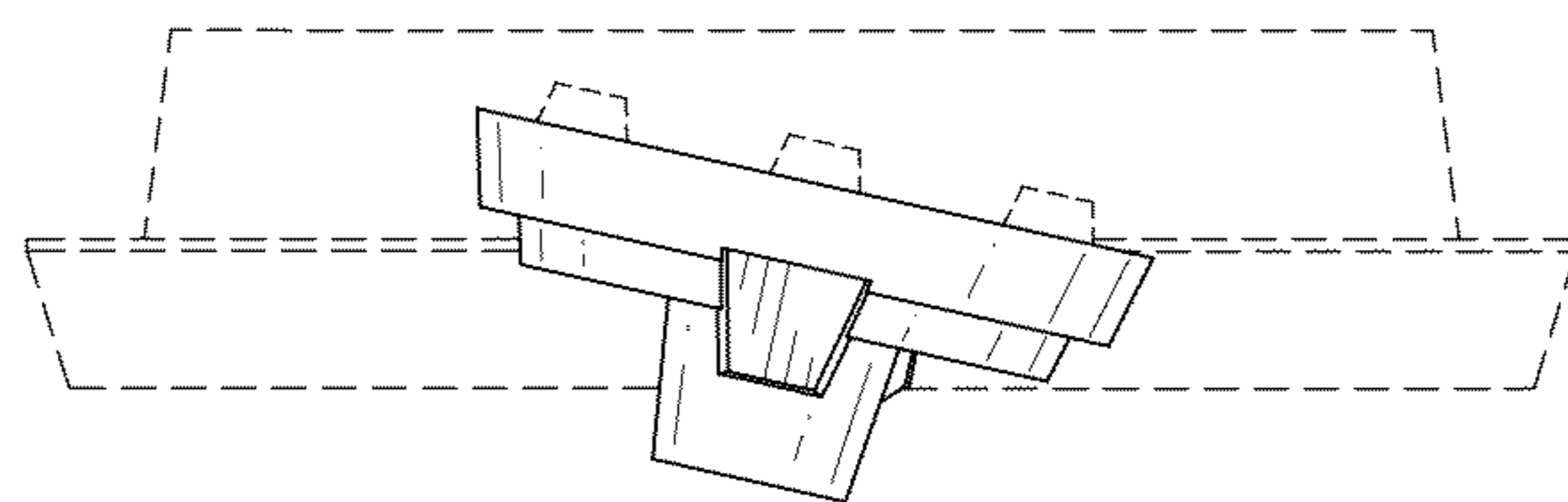


FIG. 5

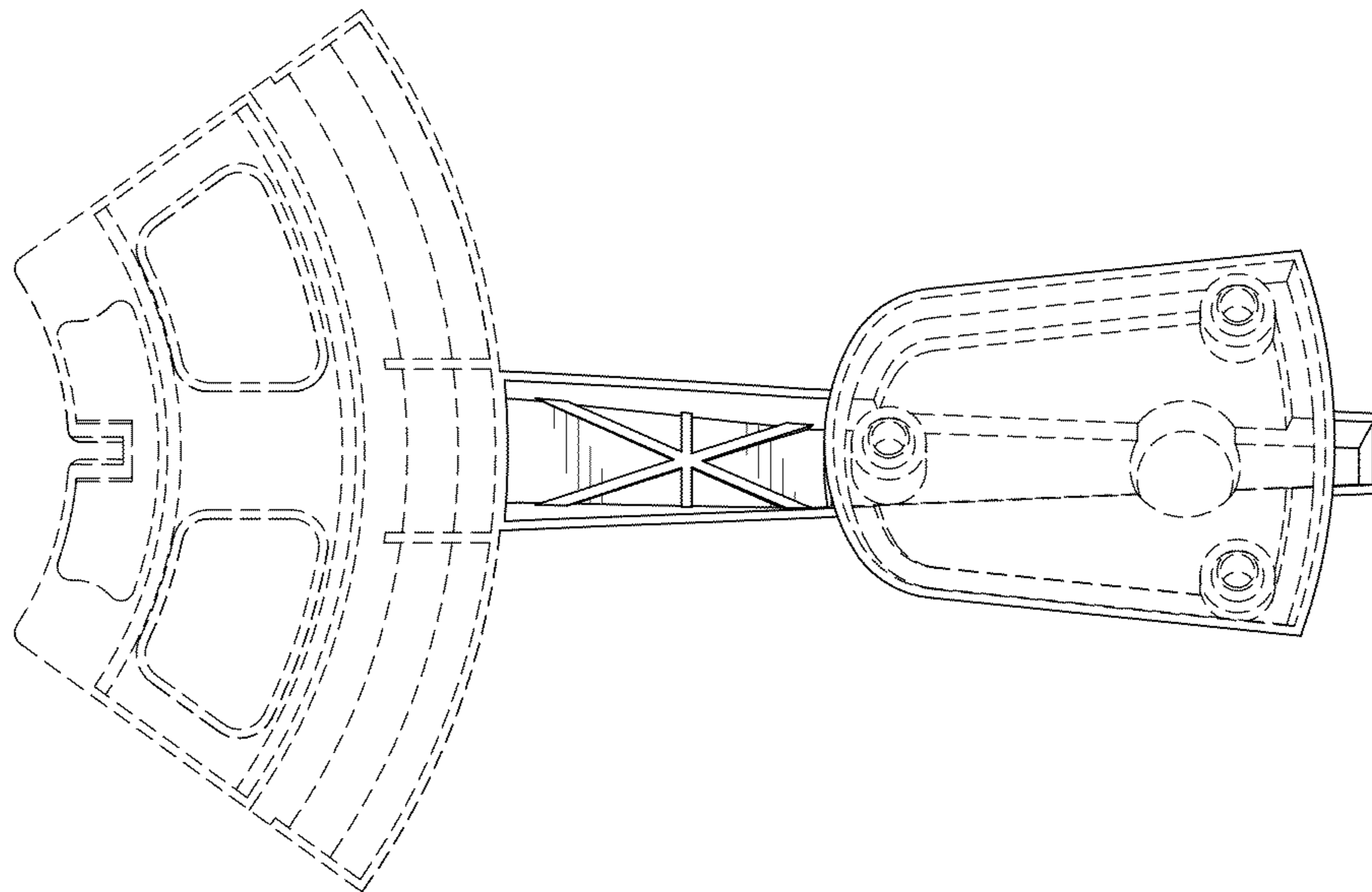


FIG. 6

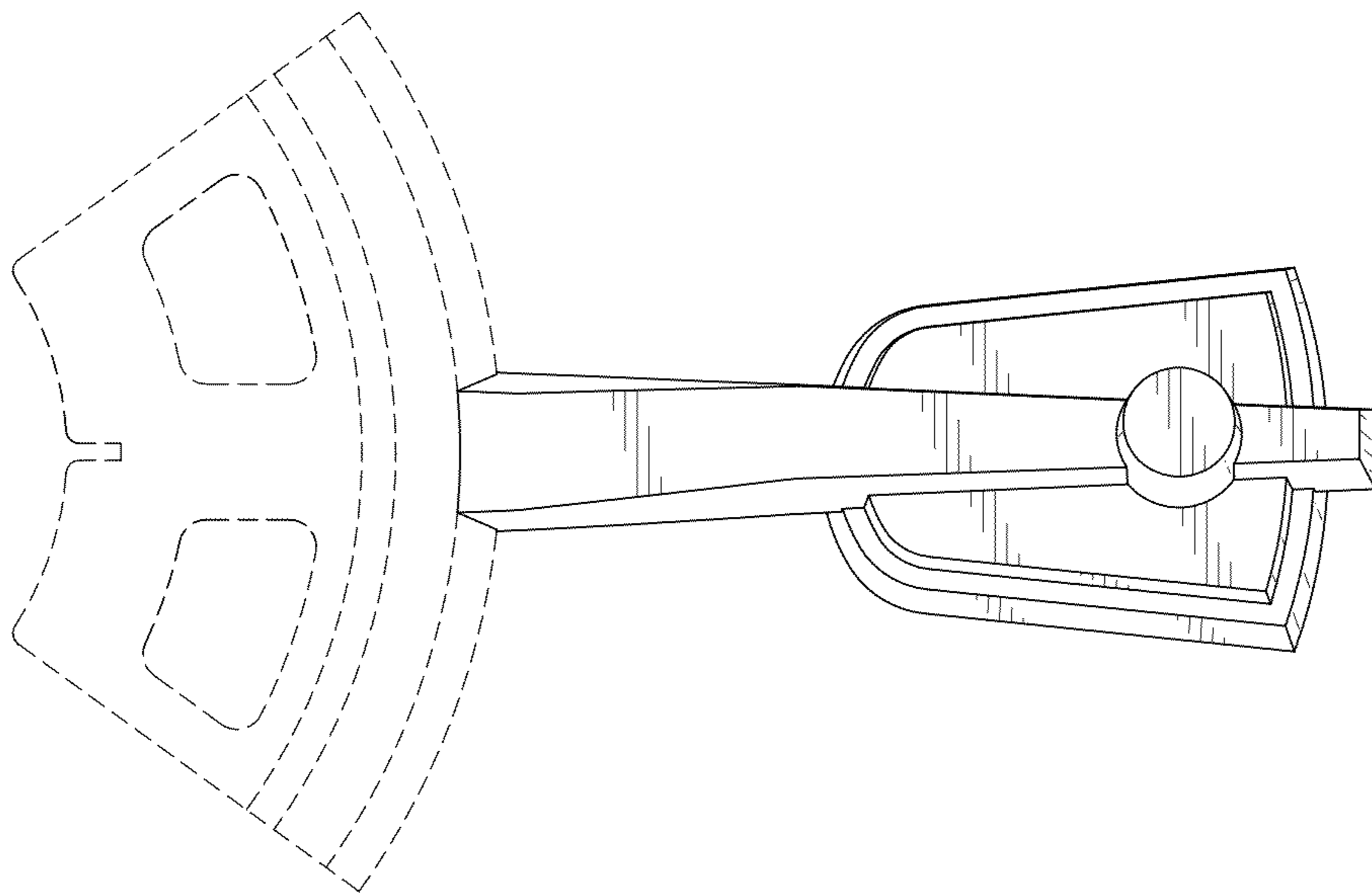


FIG. 7