



US00D706408S

(12) **United States Design Patent**
Betz et al.

(10) **Patent No.:** **US D706,408 S**
(45) **Date of Patent:** **** Jun. 3, 2014**

(54) **FIREPLACE GRATE**

(75) Inventors: **John G. Betz**, Phoenixville, PA (US);
William Rhoads, Moorestown, NJ (US)

(73) Assignee: **Real-Look Log Set, LLC**, Phoenixville,
PA (US)

(**) Term: **14 Years**

(21) Appl. No.: **29/431,009**

(22) Filed: **Aug. 31, 2012**

(51) **LOC (10) Cl.** **23-03**

(52) **U.S. Cl.**
USPC **D23/403**

(58) **Field of Classification Search**
USPC D23/403-410, 415-422, 499, 345, 347,
D23/349; D7/332, 402, 407, 417; D15/144;
40/428, 798; 44/520, 530; 52/36.3;
126/201, 258, 500, 512, 540, 543, 544,
126/548, 555, 298; 160/DIG. 9; 219/549;
431/263, 273, 329

See application file for complete search history.

(56) **References Cited**

U.S. PATENT DOCUMENTS

D4,974 S	6/1871	Dixon et al.	
948,561 A	2/1910	Hansen	
1,404,497 A	1/1922	Vetter et al.	
D71,999 S	2/1927	Brown	
D73,867 S	11/1927	Relyea	
2,302,796 A	11/1942	Oyster	
2,447,295 A *	8/1948	Waggoner	126/298
2,585,523 A	2/1952	Wellman	
2,984,032 A	5/1961	Frederick	
2,985,165 A	5/1961	Peterson et al.	
3,382,861 A	5/1968	Peterson	
D226,314 S	2/1973	Conroy et al.	
3,742,189 A	6/1973	Conroy et al.	
D228,765 S	10/1973	Henry et al.	
3,817,686 A	6/1974	Quittner	

D241,408 S	9/1976	Matchulat	
D242,544 S	11/1976	Betenbaugh	
4,000,732 A *	1/1977	White	126/92 R
4,019,493 A	4/1977	McCullough	
D245,993 S	10/1977	Anderson et al.	
4,062,655 A *	12/1977	Brockbank	44/535
4,069,808 A	1/1978	Cranberg	
4,136,677 A	1/1979	Mayes	
4,161,168 A	7/1979	Cagle	
4,166,447 A	9/1979	Creim	
4,305,375 A	12/1981	George	
D267,223 S	12/1982	Hassett et al.	

(Continued)

Primary Examiner — Karen S Acker

(74) *Attorney, Agent, or Firm* — Lieberman & Brandsdorfer,
LLC

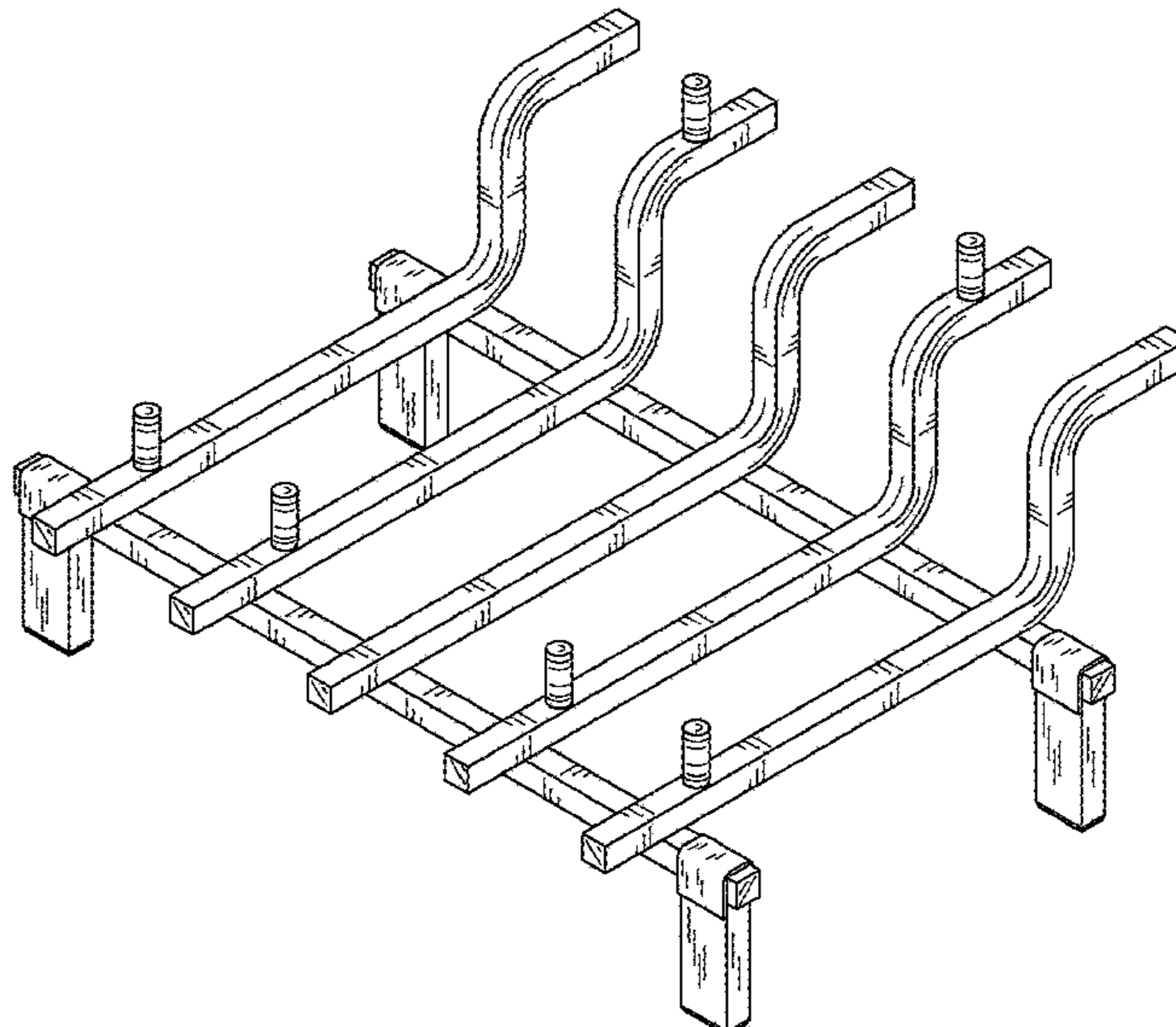
(57) **CLAIM**

The ornamental design for a fireplace grate, as shown and described.

DESCRIPTION

FIG. 1 is a perspective view of a fireplace grate showing the new design;
 FIG. 2 is a front elevational view of the fireplace grate of FIG. 1;
 FIG. 3 is a back elevational view of the fireplace grate of FIG. 1;
 FIG. 4 is a right side elevational view of the fireplace grate of FIG. 1 (the opposite side being symmetrical);
 FIG. 5 is a top plan view of the fireplace grate of FIG. 1;
 FIG. 6 is a bottom plan view of the fireplace grate of FIG. 1;
 FIG. 7 is an enlarged perspective view one of the support legs of the fireplace grate of FIG. 1 shown detached from the design;
 FIG. 8 is a front elevational view thereof;
 FIG. 9 is a right side elevational view thereof;
 FIG. 10 is a top plan view thereof; and,
 FIG. 11 is a bottom plan view thereof.

1 Claim, 11 Drawing Sheets



(56)

References Cited

U.S. PATENT DOCUMENTS

D267,465 S *	1/1983	Hassett et al.	D23/398	D426,297 S	6/2000	Phippen	
4,599,989 A	7/1986	Telfer		6,102,032 A	8/2000	Sebby et al.	
4,838,240 A	6/1989	Rieger		6,129,079 A	10/2000	French et al.	
4,889,375 A	12/1989	Leu		6,132,481 A *	10/2000	Chandaria	44/535
4,891,005 A *	1/1990	Carter	431/343	D438,949 S *	3/2001	Nathan	D23/398
4,971,031 A	11/1990	Richardson		6,196,215 B1 *	3/2001	Chandaria	126/540
D320,651 S	10/1991	Thow		6,363,927 B2	4/2002	Haynes et al.	
D320,652 S	10/1991	Thow		6,371,107 B2	4/2002	Chandaria	
5,067,476 A	11/1991	Rhodes, Jr.		6,385,929 B1	5/2002	Englehart	
5,069,200 A	12/1991	Thow et al.		6,758,210 B1	7/2004	Chandaria	
5,092,313 A	3/1992	Blackburn et al.		6,814,069 B2 *	11/2004	Chandaria	126/540
5,099,591 A *	3/1992	Eiklor et al.	40/428	6,820,610 B2 *	11/2004	Wright	126/540
5,118,539 A	6/1992	Sebby et al.		6,871,644 B2	3/2005	Chandaria	
5,284,686 A	2/1994	Thow		6,886,555 B2	5/2005	Lee	
D345,416 S	3/1994	Steele et al.		6,968,839 B2	11/2005	Lee	
5,328,356 A	7/1994	Hawkinson		7,458,808 B2	12/2008	McCarren	
5,329,915 A	7/1994	Broadbent et al.		D614,282 S	4/2010	Betz et al.	
5,435,295 A	7/1995	Gerrard		2001/0000870 A1	5/2001	Chandaria	
5,452,709 A	9/1995	Mealer		2002/0153002 A1	10/2002	Lee	
5,469,838 A	11/1995	Broadbent et al.		2003/0198908 A1	10/2003	Berthold et al.	
5,584,680 A	12/1996	Kim		2005/0150487 A1	7/2005	Weinberger	
5,688,568 A	11/1997	Wolf et al.		2005/0247302 A1	11/2005	Weinberger	
D387,854 S	12/1997	Newman et al.		2006/0037603 A1	2/2006	Hoffman et al.	
5,722,389 A	3/1998	Cranberg		2006/0037604 A1	2/2006	Hoffman et al.	
5,786,045 A	7/1998	Gerth et al.		2006/0157049 A1	7/2006	Weinberger	
D400,243 S	10/1998	Newman et al.		2006/0188832 A1	8/2006	McCarren	
D408,075 S	4/1999	Walters		2008/0227041 A1	9/2008	Kirchner et al.	
				2009/0050132 A1 *	2/2009	Betz et al.	126/540
				2010/0043775 A1	2/2010	Phillips et al.	
				2011/0146658 A1 *	6/2011	Johnston	126/540

* cited by examiner

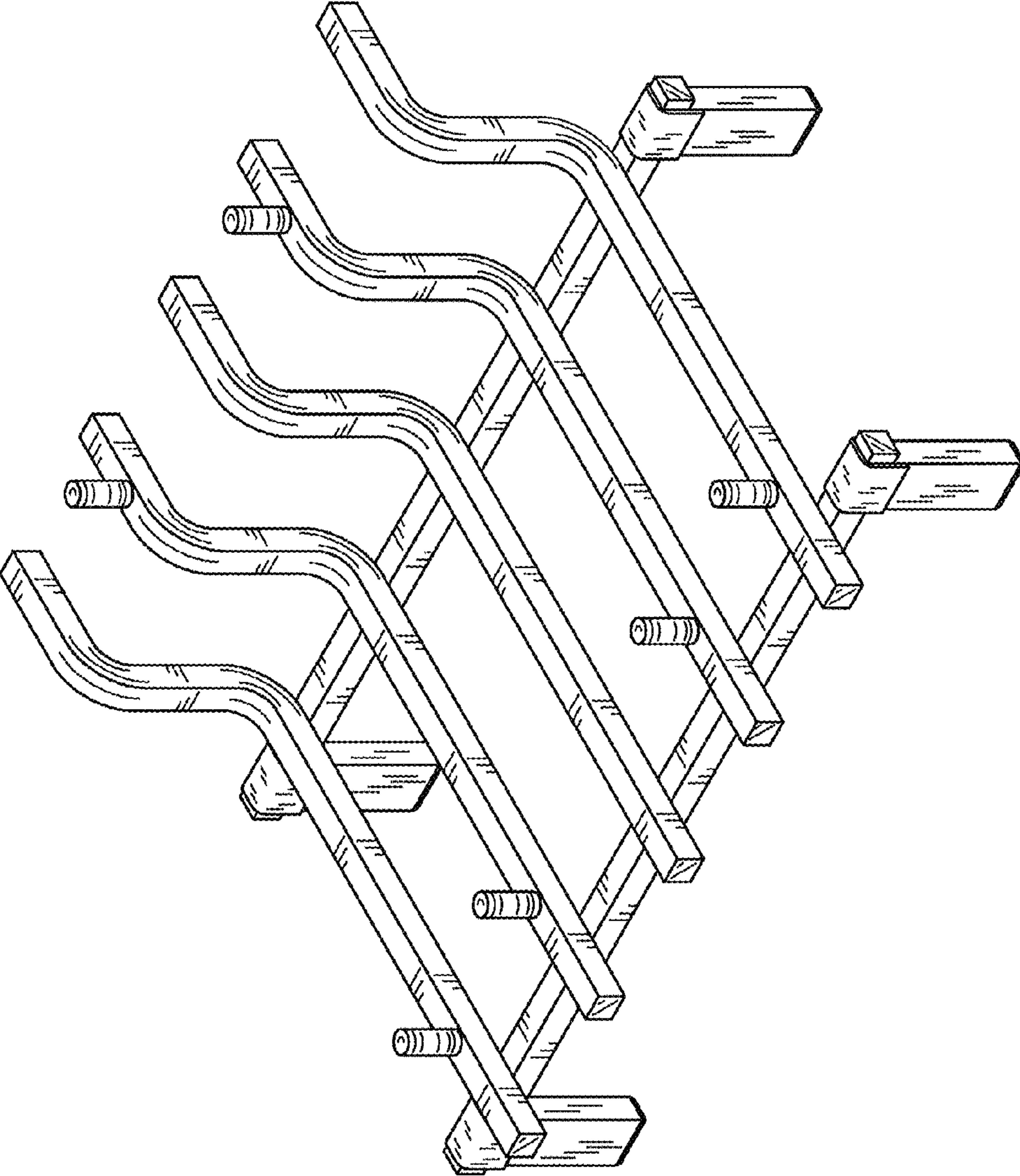


FIG. 1

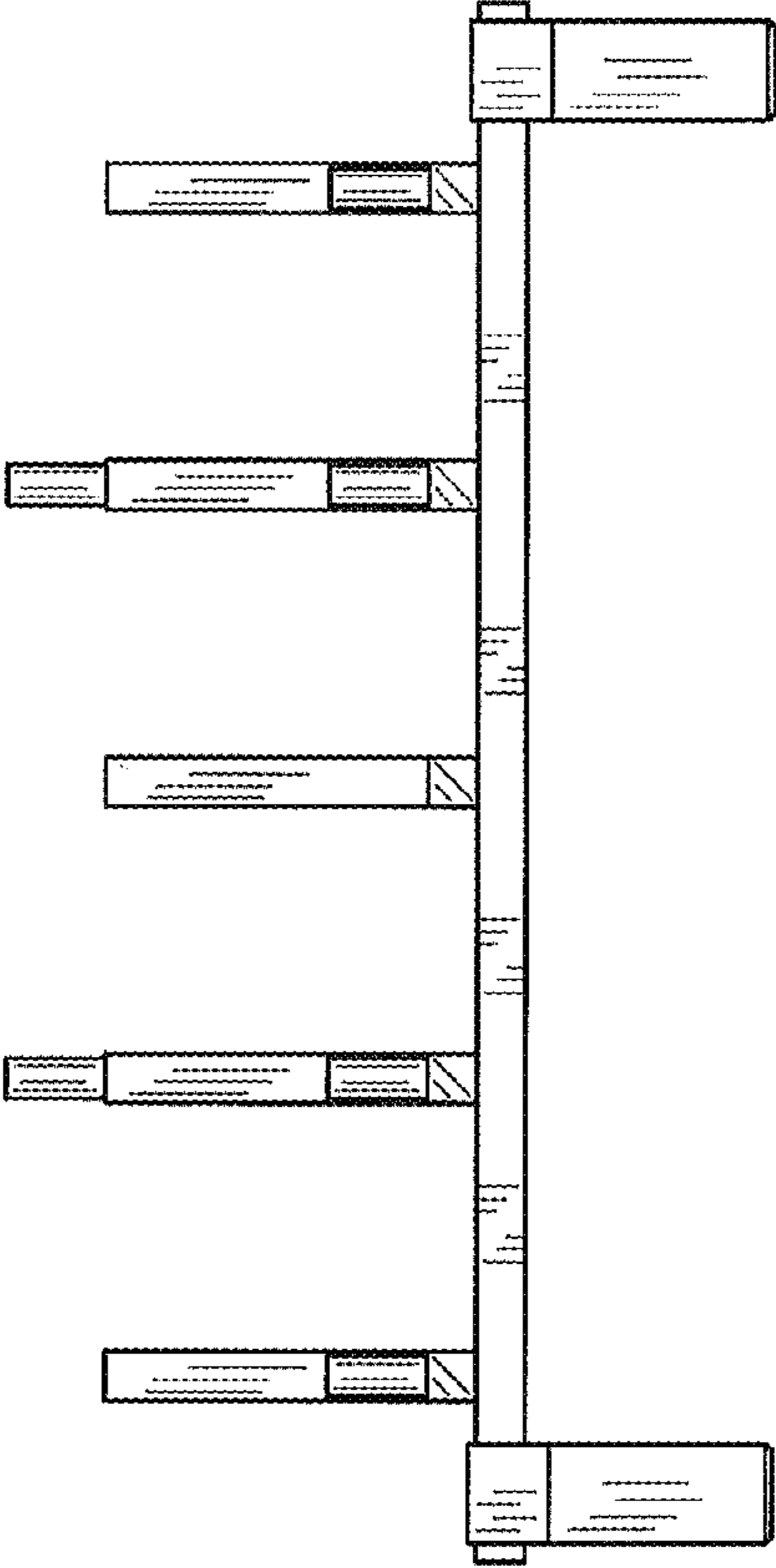


FIG. 2

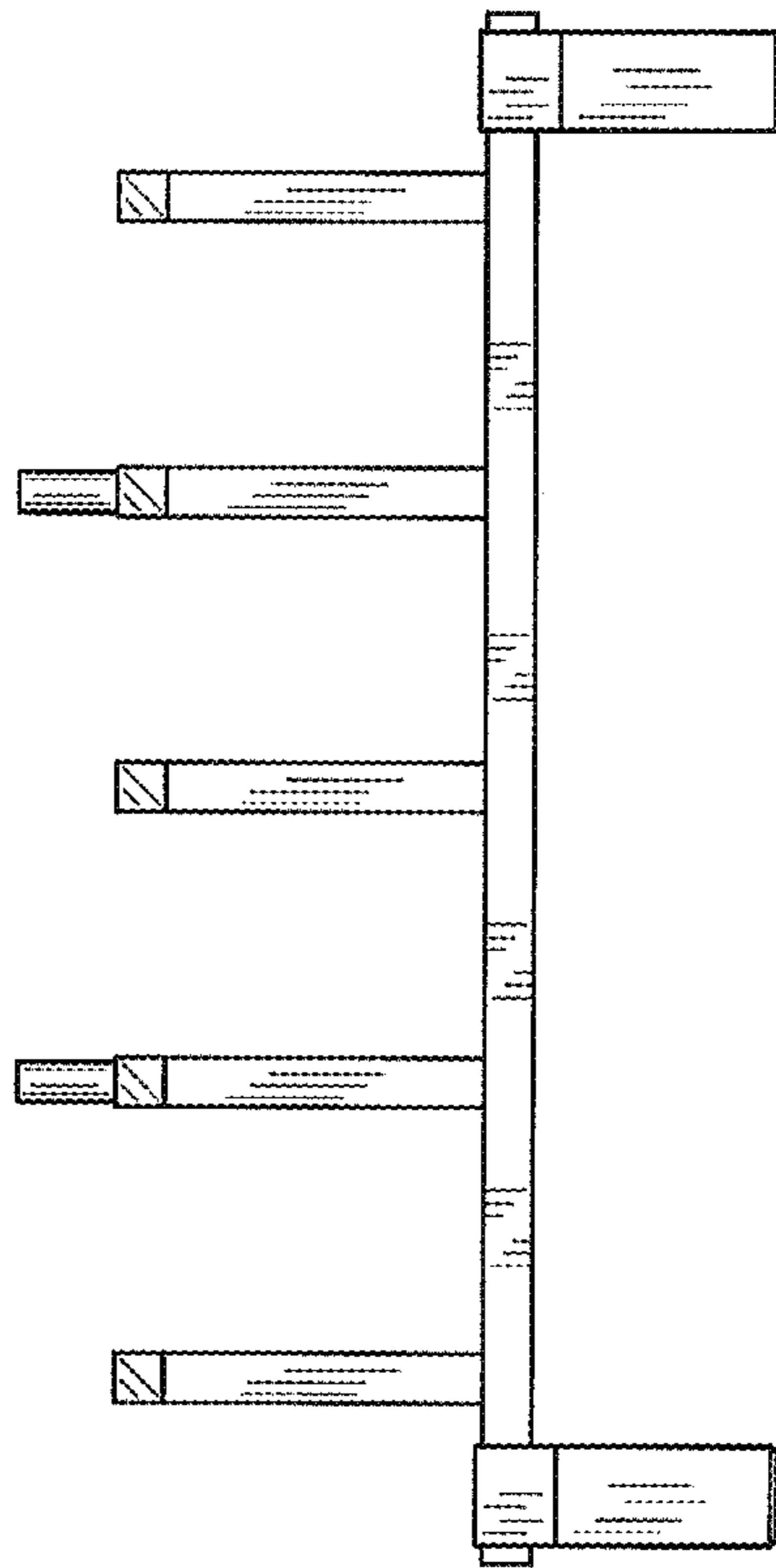


FIG. 3

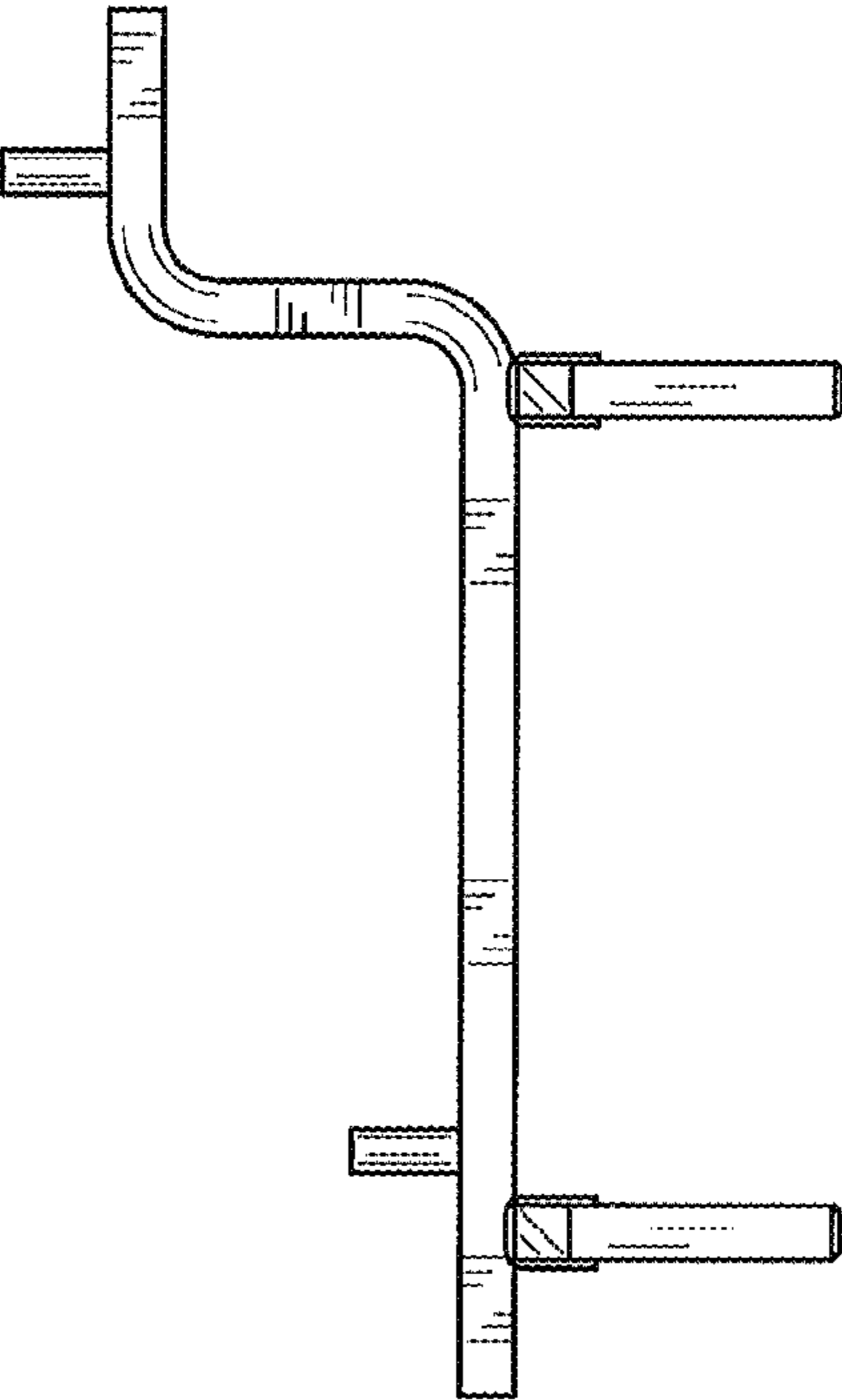


FIG. 4

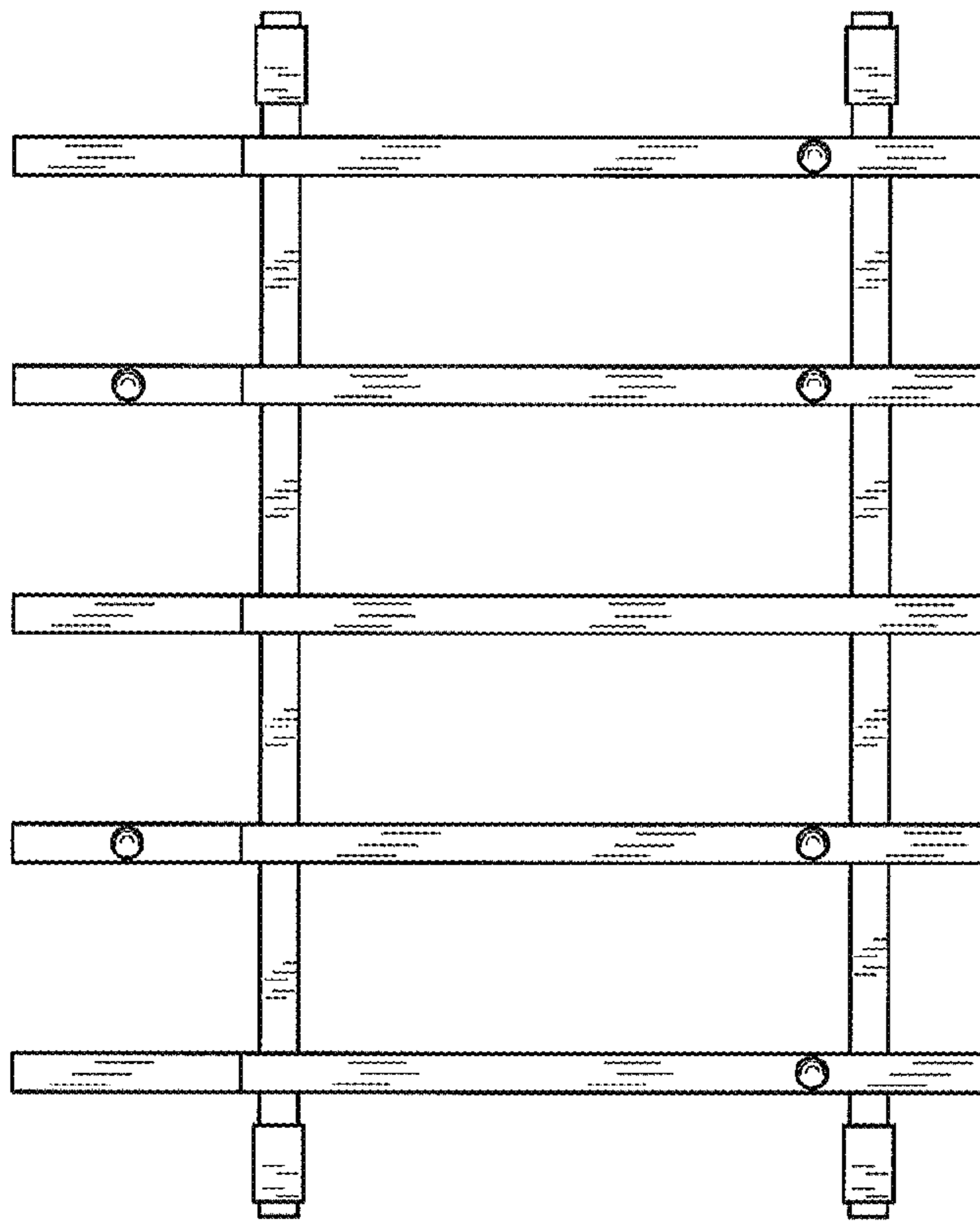


FIG. 5

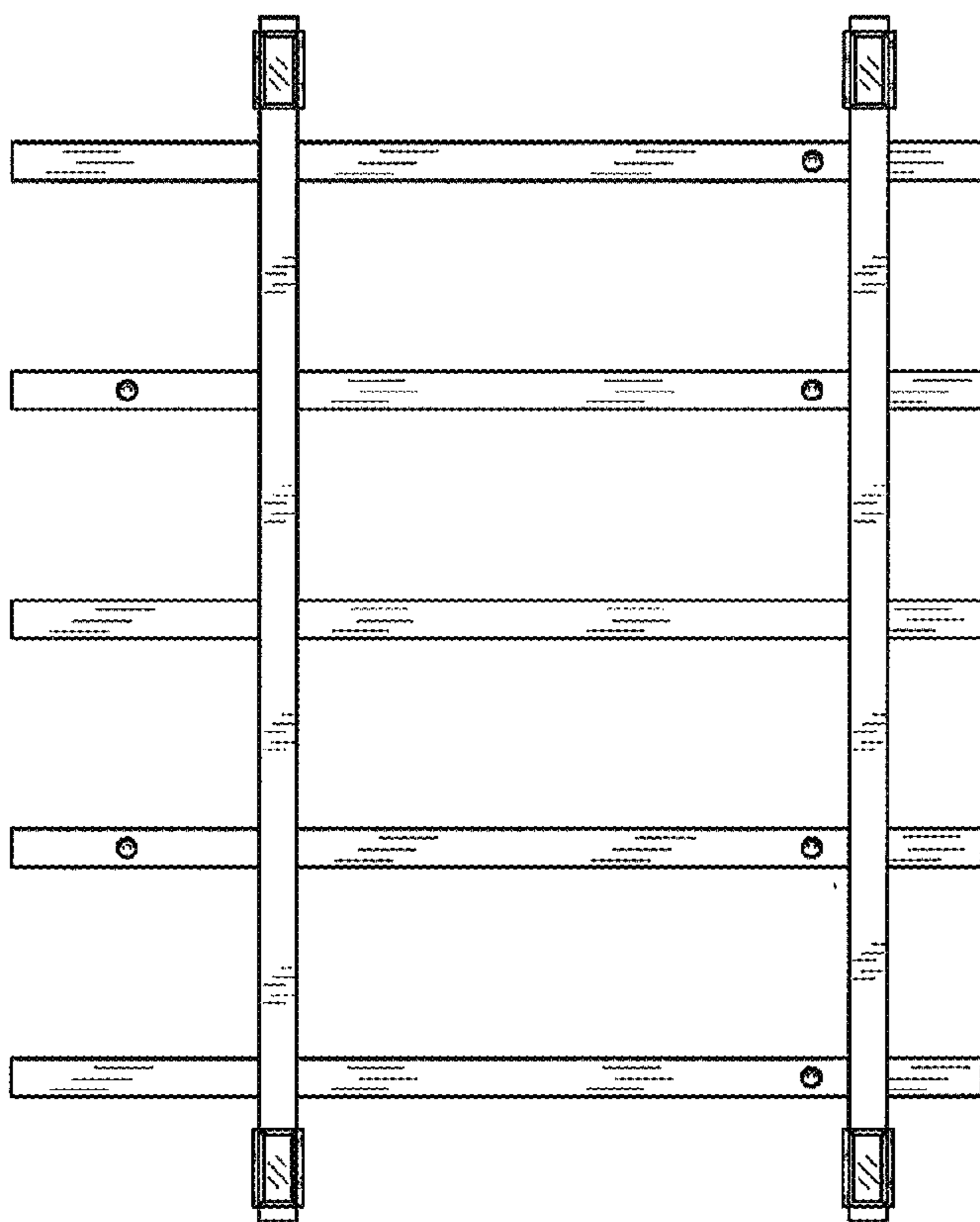


FIG. 6

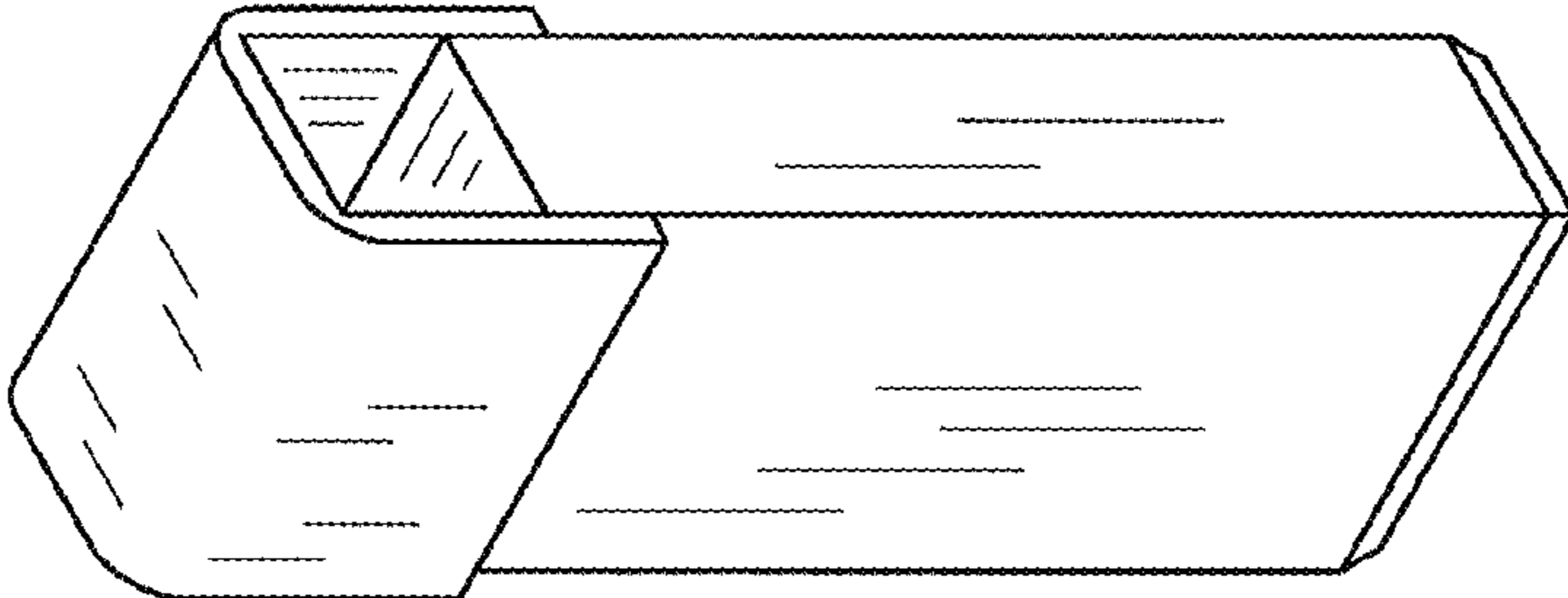


FIG. 7

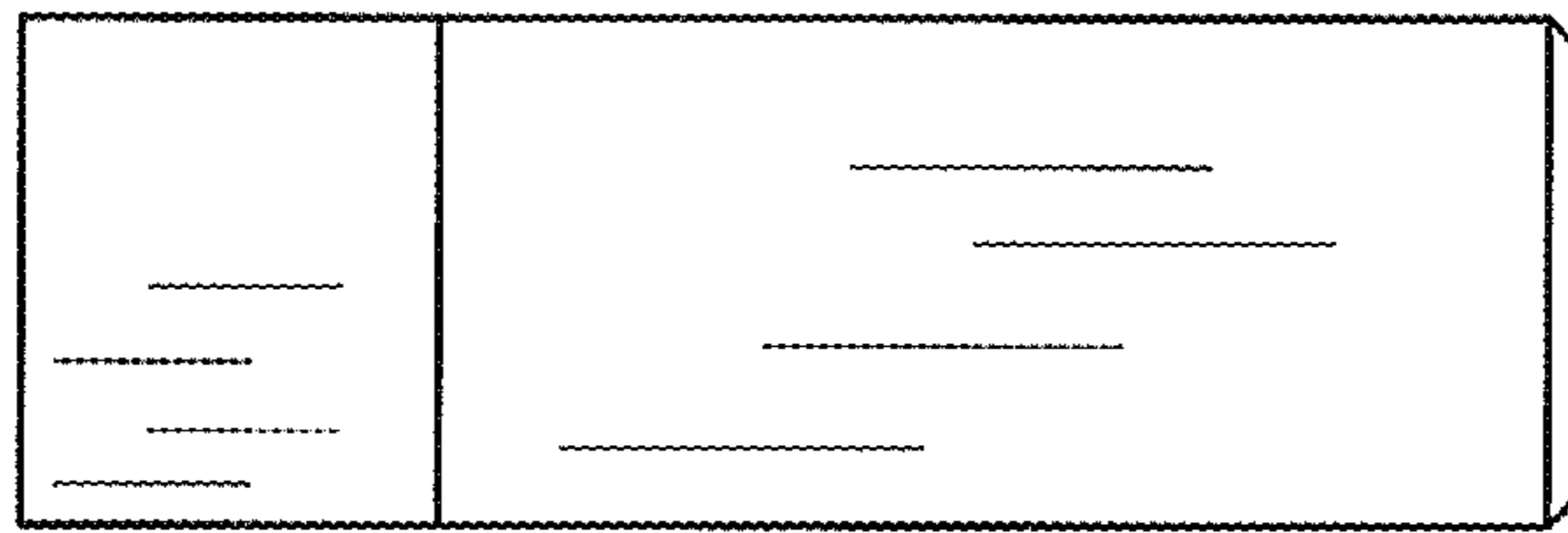


FIG. 8

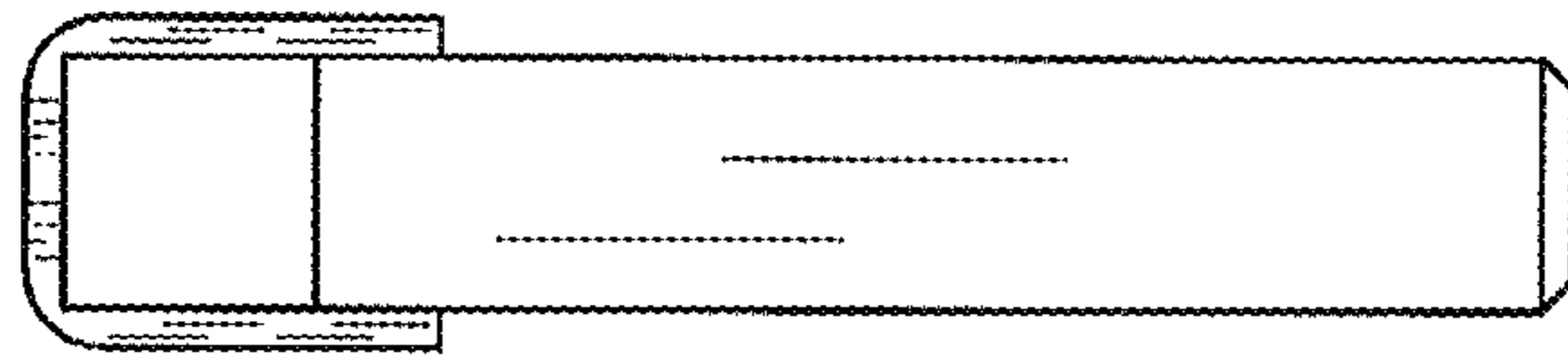


FIG. 9

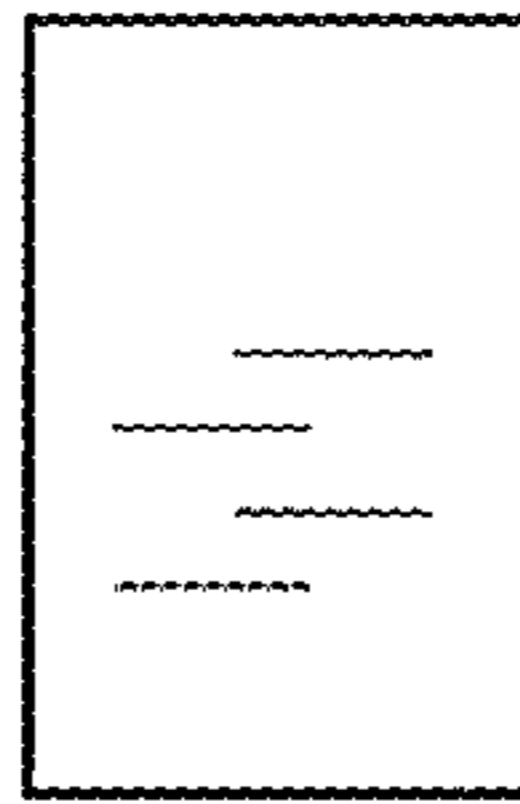


FIG. 10

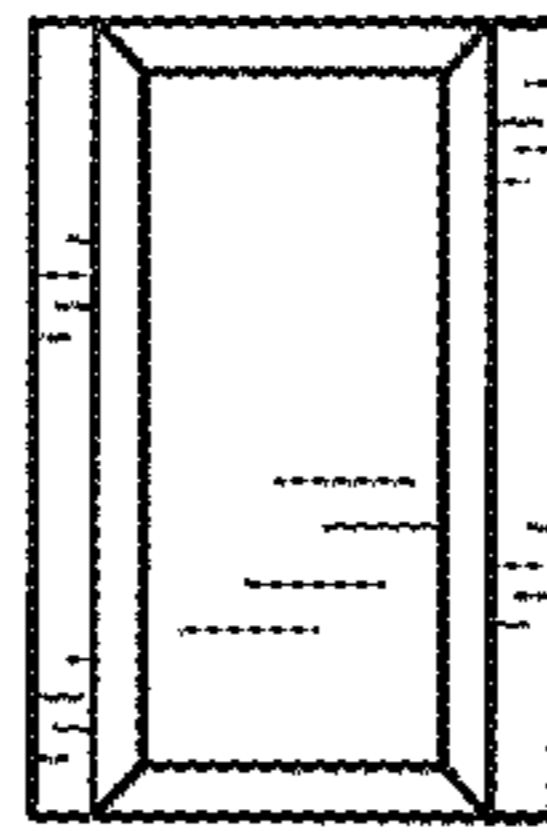


FIG. 11