



US00D706407S

(12) **United States Design Patent**
Wang

(10) **Patent No.:** **US D706,407 S**
(45) **Date of Patent:** **** Jun. 3, 2014**

- (54) **CEILING FAN MOTOR HOUSING**
- (75) Inventor: **Cliff Wang**, Taichung (TW)
- (73) Assignee: **Air Cool Industrial Co., Ltd.**, Taichung (TW)
- (**) Term: **14 Years**
- (21) Appl. No.: **29/426,174**
- (22) Filed: **Jul. 2, 2012**
- (51) **LOC (10) Cl.** **23-04**
- (52) **U.S. Cl.**
USPC **D23/385**
- (58) **Field of Classification Search**
USPC D23/385, 377, 379, 411; D26/59, 377, D26/80, 87, 83, 92, 86, 40, 67, 63, 69, 89, D26/73, 129; 416/5; 392/364, 361, 362; 362/96, 294, 364; 417/423.14, 423.15, 417/423.3; 310/157; 29/596, 597
See application file for complete search history.

D419,660 S *	1/2000	Zuege	D23/377
D536,439 S *	2/2007	Pickett	D23/411
D627,053 S *	11/2010	Pan	D23/411
D627,869 S *	11/2010	Pan	D23/377
D632,384 S *	2/2011	Pan	D23/411
D671,203 S *	11/2012	Wang	D23/377
D671,631 S *	11/2012	Searle	D23/411
D678,499 S *	3/2013	Pan	D23/411
2005/0214145 A1 *	9/2005	Grinbergs	417/423.14

* cited by examiner

Primary Examiner — Eric Goodman

Assistant Examiner — Ryan Harvey

(74) *Attorney, Agent, or Firm* — Ming Chow; Sinorica, LLC

(57) **CLAIM**

I claim the ornamental design for a ceiling fan motor housing, as shown and described.

DESCRIPTION

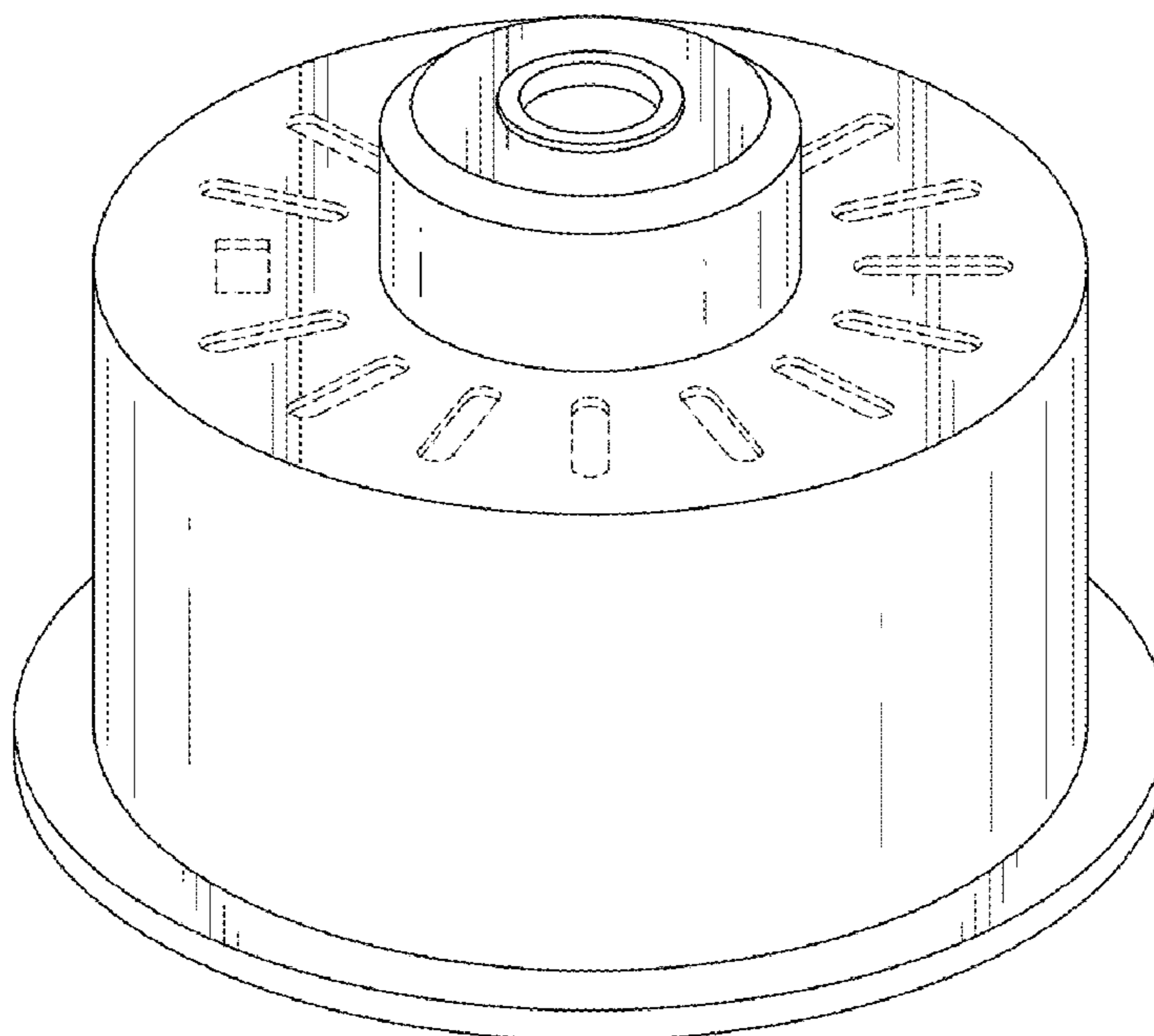
FIG. 1 is a front perspective view of a ceiling fan motor housing showing my new design;
 FIG. 2 is a front elevational view thereof;
 FIG. 3 is a rear elevational view thereof. ps FIG. 4 is a left side elevational view thereof;
 FIG. 5 is a right side elevational view thereof;
 FIG. 6 is a top plan view thereof; and,
 FIG. 7 is a bottom plan view thereof.
 The broken line showing is included for the purpose of illustrating portions of the article and forms no part of the claimed design.

1 Claim, 4 Drawing Sheets

(56) **References Cited**

U.S. PATENT DOCUMENTS

4,862,581 A *	9/1989	Royer	29/596
D328,785 S *	8/1992	Markwardt	D23/377
D329,087 S *	9/1992	Markwardt	D23/377
D394,103 S *	5/1998	Lee	D23/411
D413,378 S *	8/1999	Zuege	D23/377
D414,856 S *	10/1999	Zuege	D23/377
D414,857 S *	10/1999	Zuege	D23/377



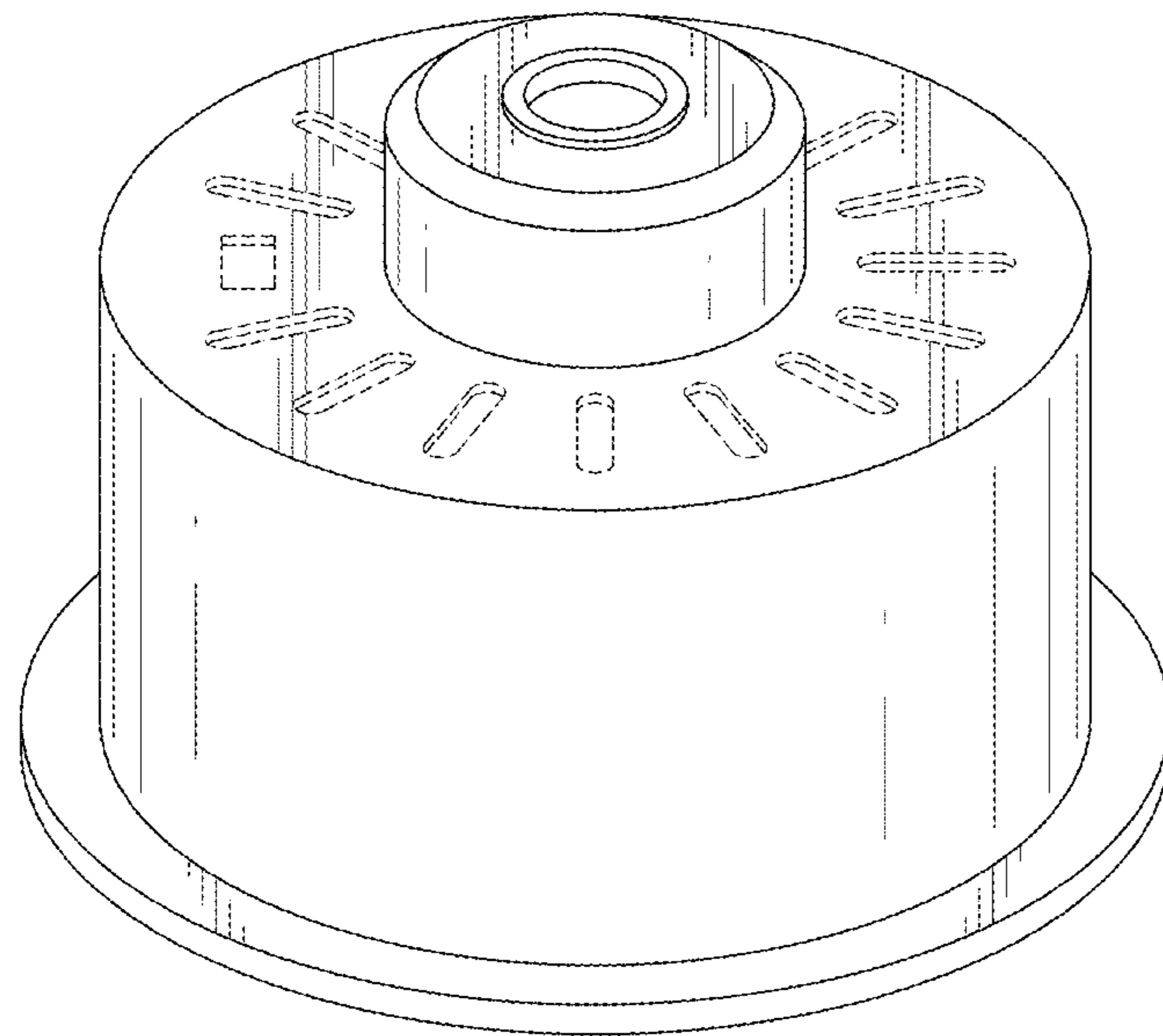


FIG. 1

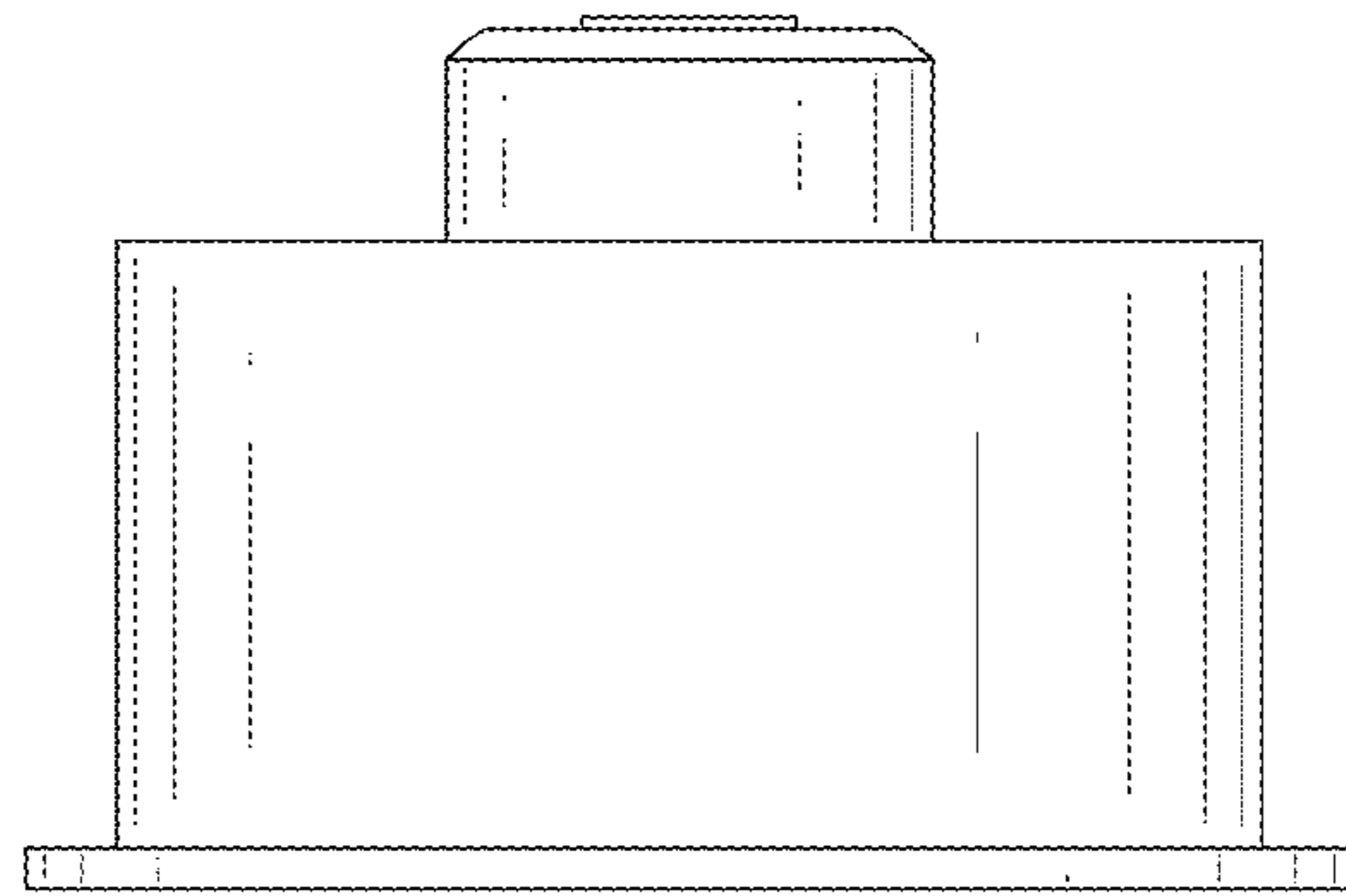


FIG. 2

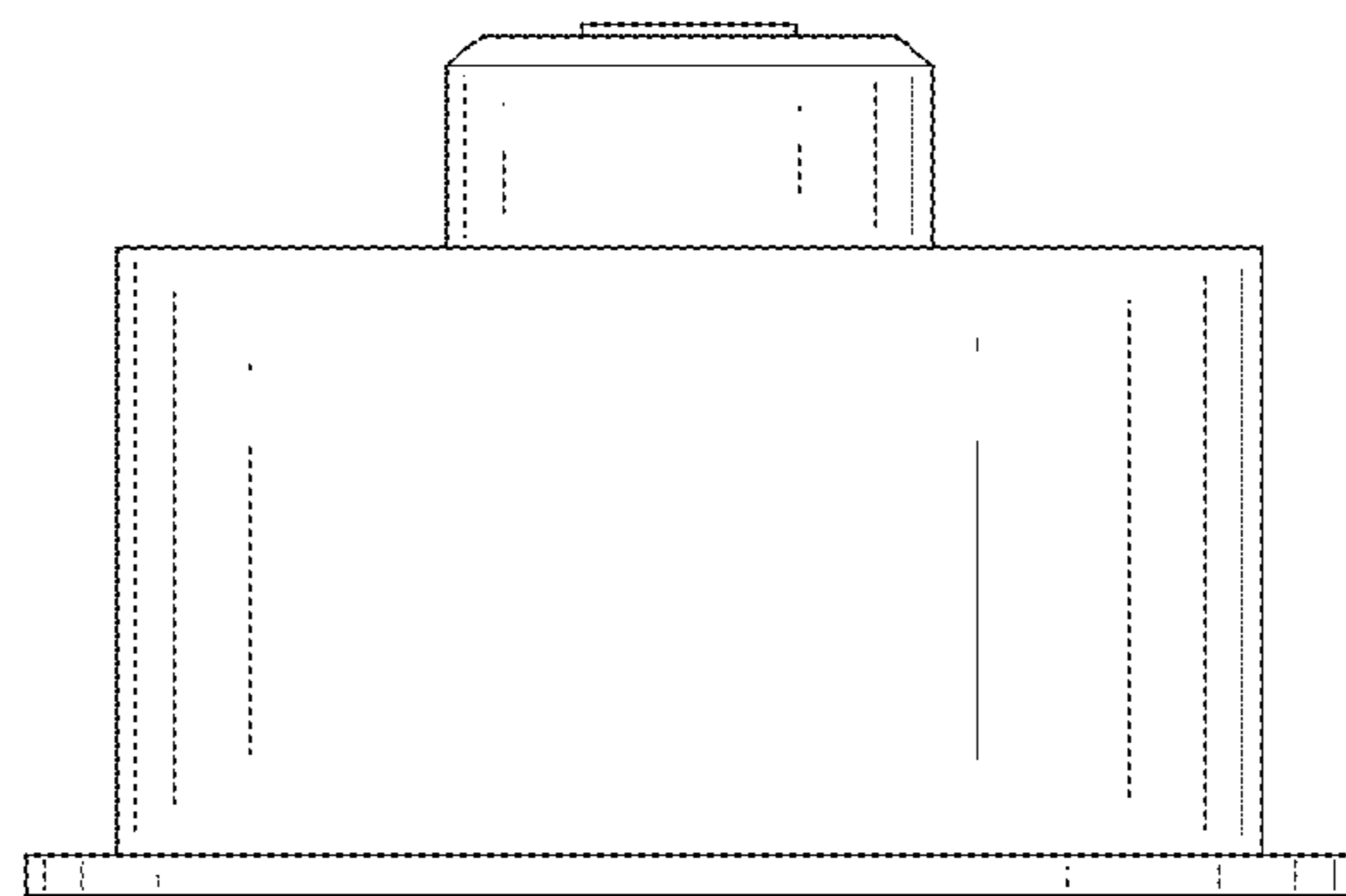


FIG. 3

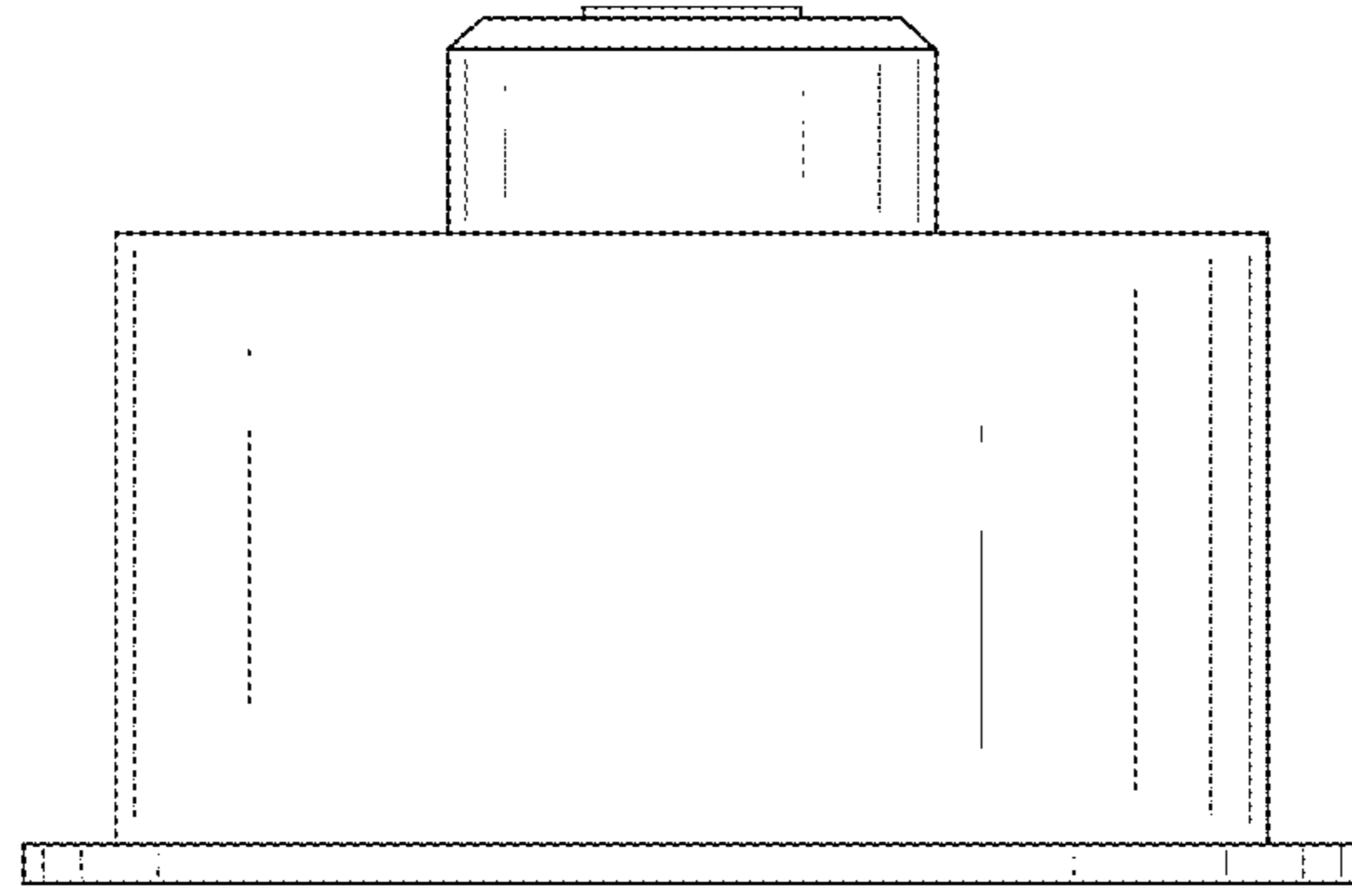


FIG. 4

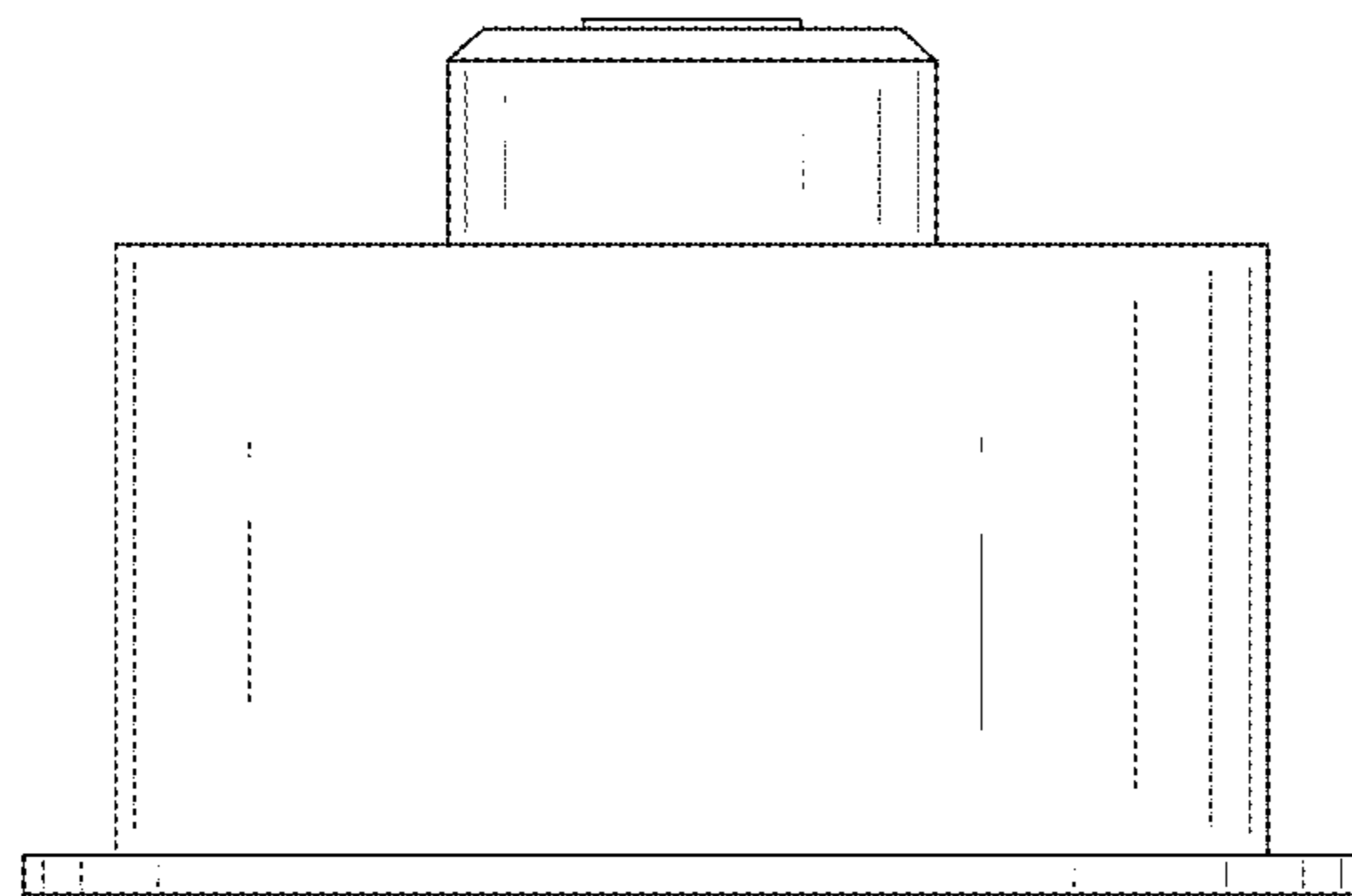


FIG. 5

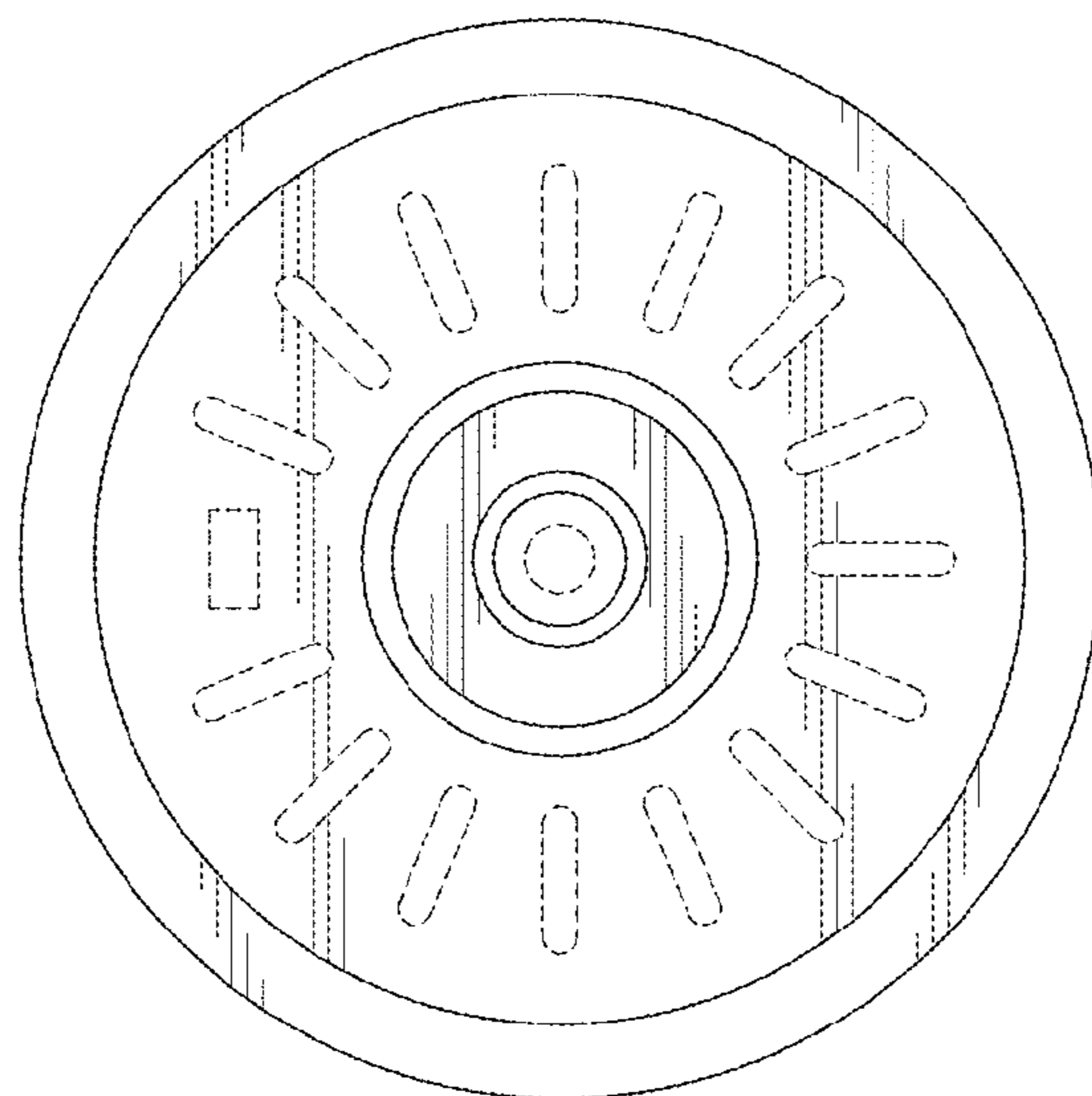


FIG. 6

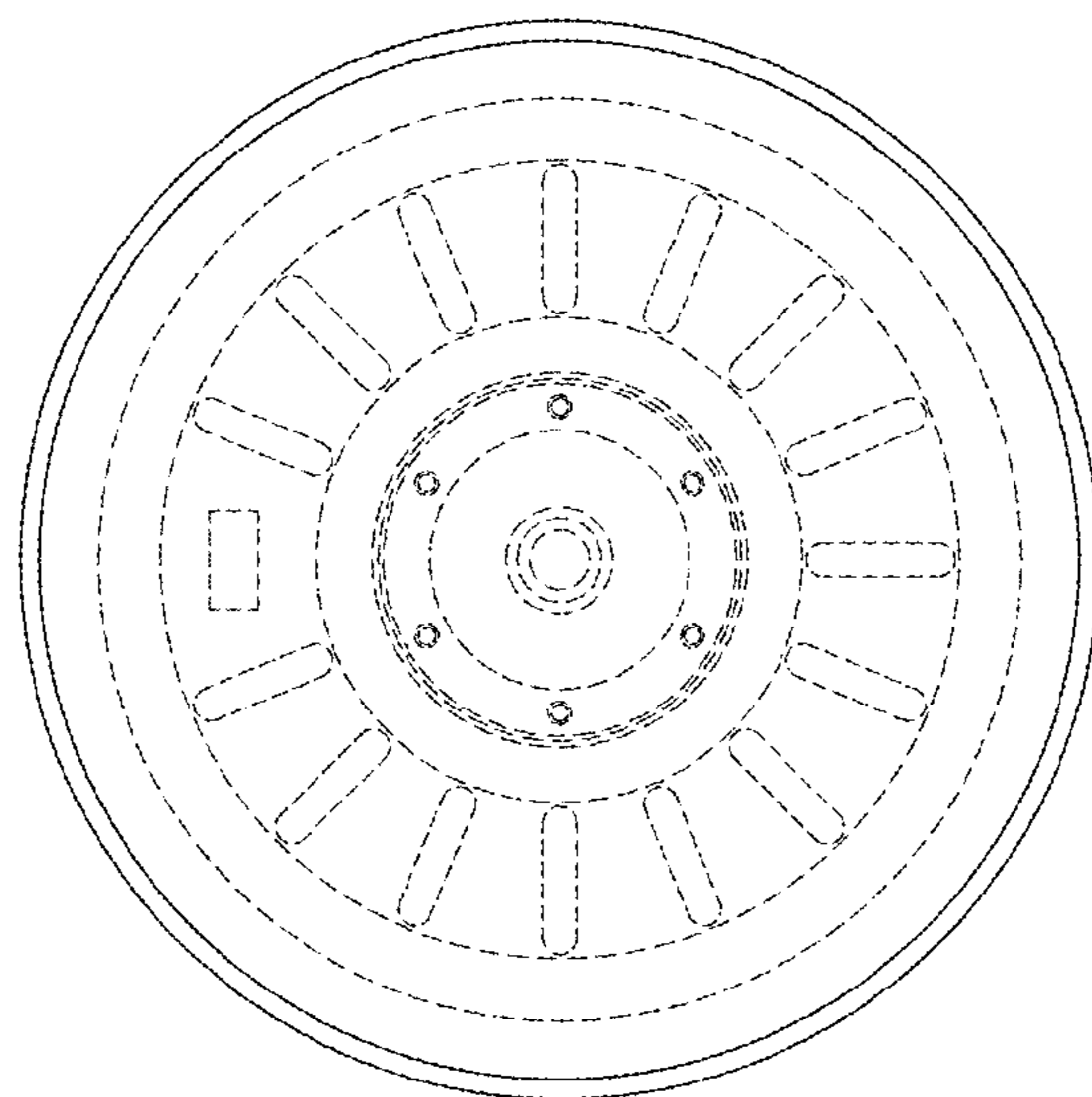


FIG. 7