



US00D706406S

(12) **United States Design Patent**  
**Wang**

(10) **Patent No.:** **US D706,406 S**  
(45) **Date of Patent:** **\*\* Jun. 3, 2014**

(54) **CEILING FAN MOTOR HOUSING AND LIGHT KIT**

(75) Inventor: **Cliff Wang**, Taichung (TW)

(73) Assignee: **Air Cool Industrial Co., Ltd.**, Taichung (TW)

(\*\*) Term: **14 Years**

(21) Appl. No.: **29/426,173**

(22) Filed: **Jul. 2, 2012**

(51) **LOC (10) Cl.** ..... **23-04**

(52) **U.S. Cl.**  
USPC ..... **D23/385**

(58) **Field of Classification Search**  
USPC ..... D23/385, 377, 379, 411; D26/59, 377, D26/80, 87, 83, 92, 86, 40, 67, 63, 69, 89, D26/73, 129; 416/5; 392/364, 361, 362; 362/96, 294, 364; 417/423.14, 423.15, 417/423.3; 310/157; 29/596, 597  
See application file for complete search history.

(56) **References Cited**

**U.S. PATENT DOCUMENTS**

4,862,581	A	*	9/1989	Royer	.....	29/596
D328,785	S	*	8/1992	Markwardt	.....	D23/377
D329,087	S	*	9/1992	Markwardt	.....	D23/377
D394,103	S	*	5/1998	Lee	.....	D23/411
D413,378	S	*	8/1999	Zuege	.....	D23/377
D414,856	S	*	10/1999	Zuege	.....	D23/377

D414,857	S	*	10/1999	Zuege	.....	D23/377
D419,660	S	*	1/2000	Zuege	.....	D23/377
D536,439	S	*	2/2007	Pickett	.....	D23/411
D627,053	S	*	11/2010	Pan	.....	D23/411
D627,869	S	*	11/2010	Pan	.....	D23/377
D632,384	S	*	2/2011	Pan	.....	D23/411
D671,203	S	*	11/2012	Wang	.....	D23/377
D671,631	S	*	11/2012	Searle	.....	D23/411
D678,499	S	*	3/2013	Pan	.....	D23/411
2005/0214145	A1	*	9/2005	Grinbergs	.....	417/423.14

\* cited by examiner

*Primary Examiner* — Eric Goodman

*Assistant Examiner* — Ryan Harvey

(74) *Attorney, Agent, or Firm* — Ming Chow; Sinorica, LLC

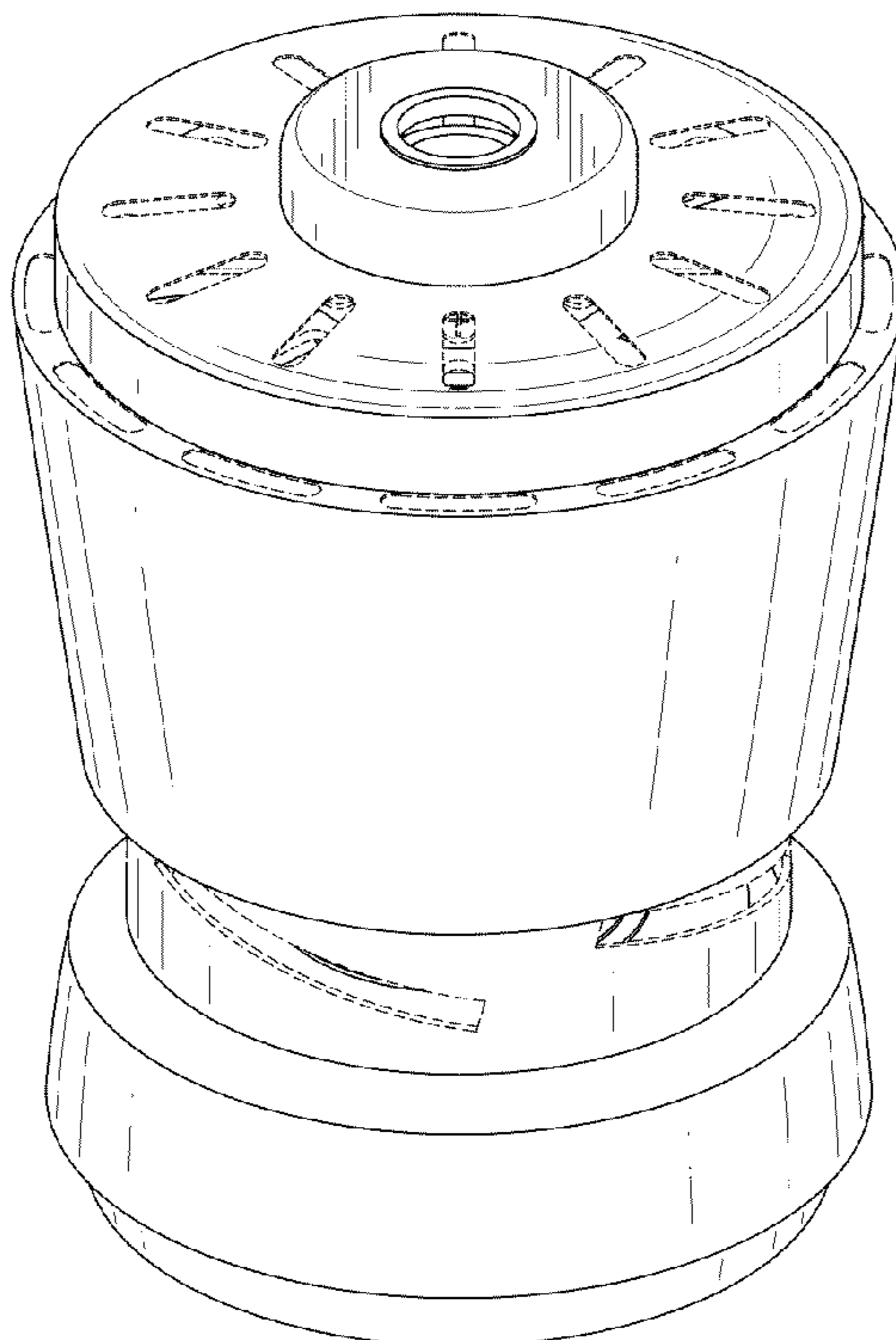
(57) **CLAIM**

I claim the ornamental design for a ceiling fan motor housing and light kit, as shown and described.

**DESCRIPTION**

FIG. 1 is a front perspective view of a ceiling fan motor housing and light kit showing my new design; FIG. 2 is a front elevational view thereof; FIG. 3 is a rear elevational view thereof; FIG. 4 is a left side elevational view thereof; FIG. 5 is a right side elevational view thereof; FIG. 6 is a top plan view thereof; and, FIG. 7 is a bottom plan view thereof. The broken line showing is included for the purpose of illustrating portions of the article and forms no part of the claimed design.

**1 Claim, 5 Drawing Sheets**



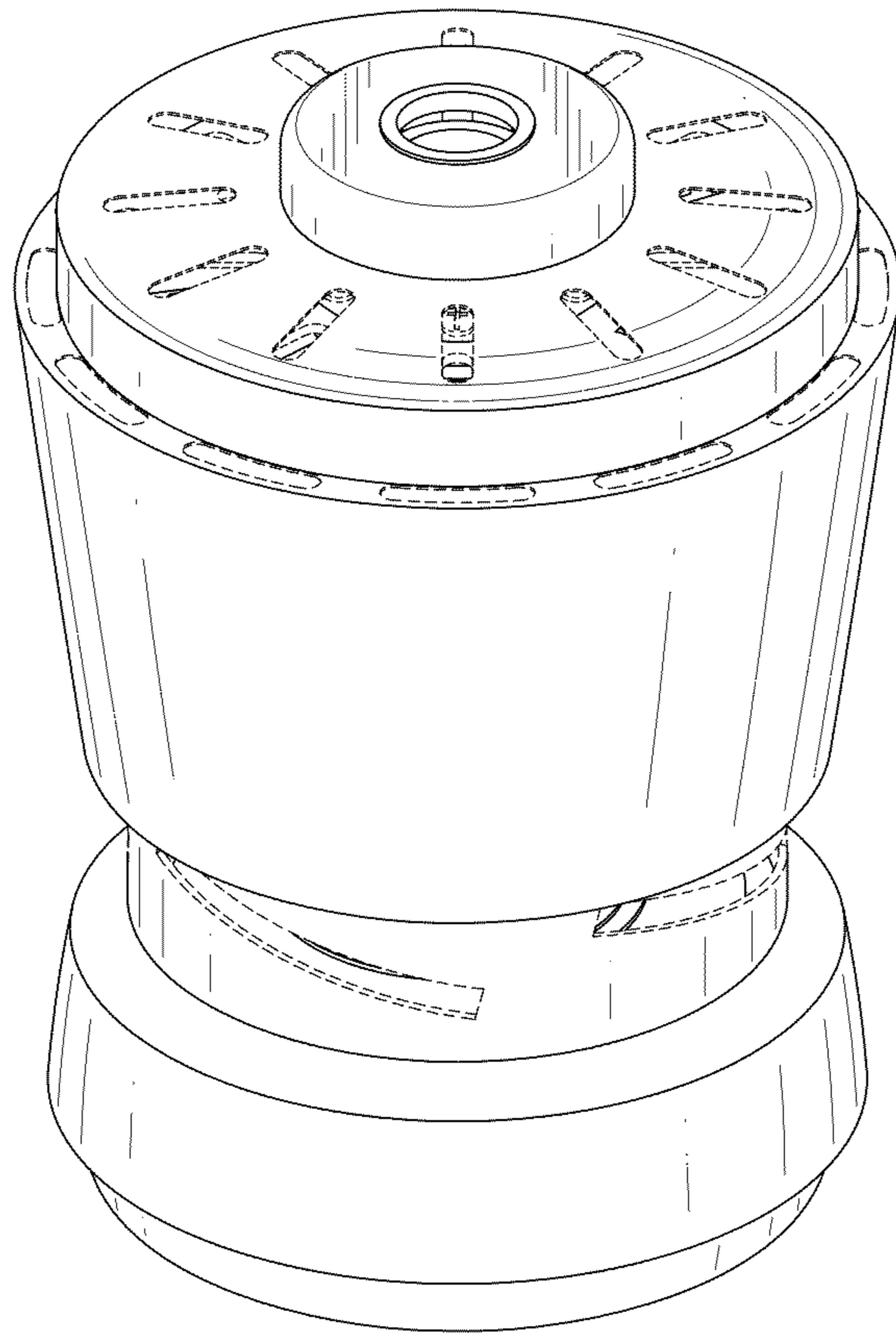


FIG. 1

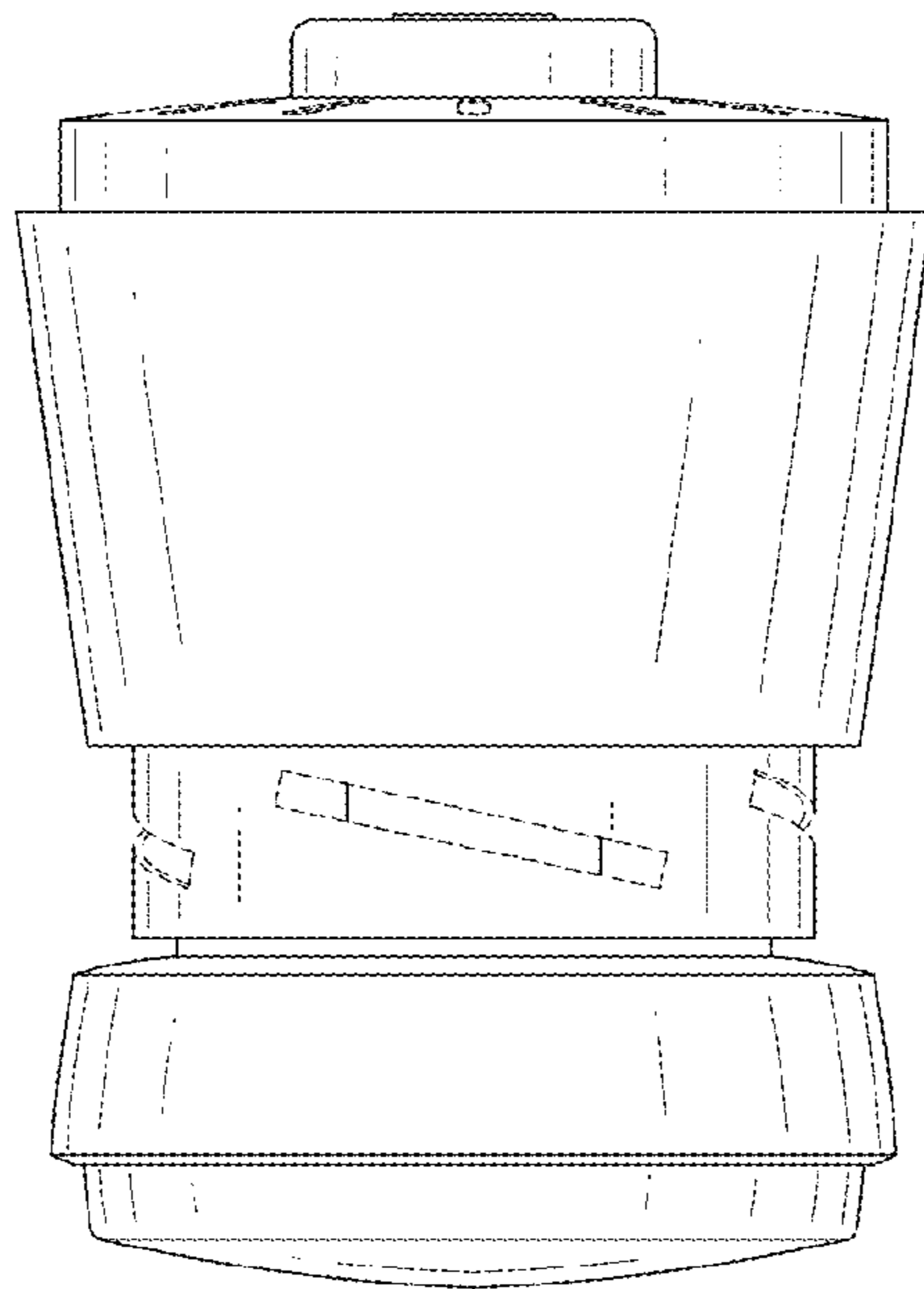


FIG. 2

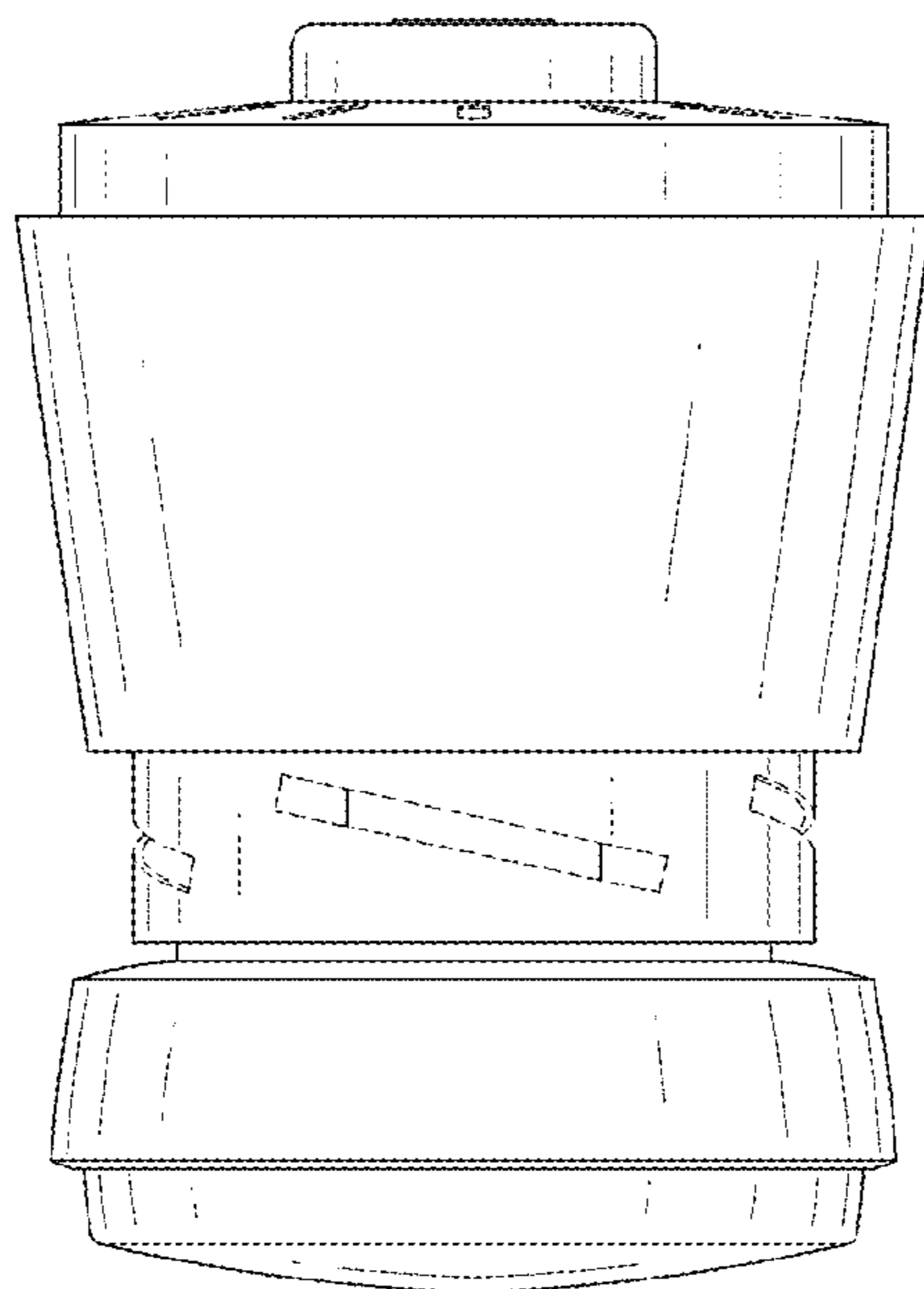


FIG. 3

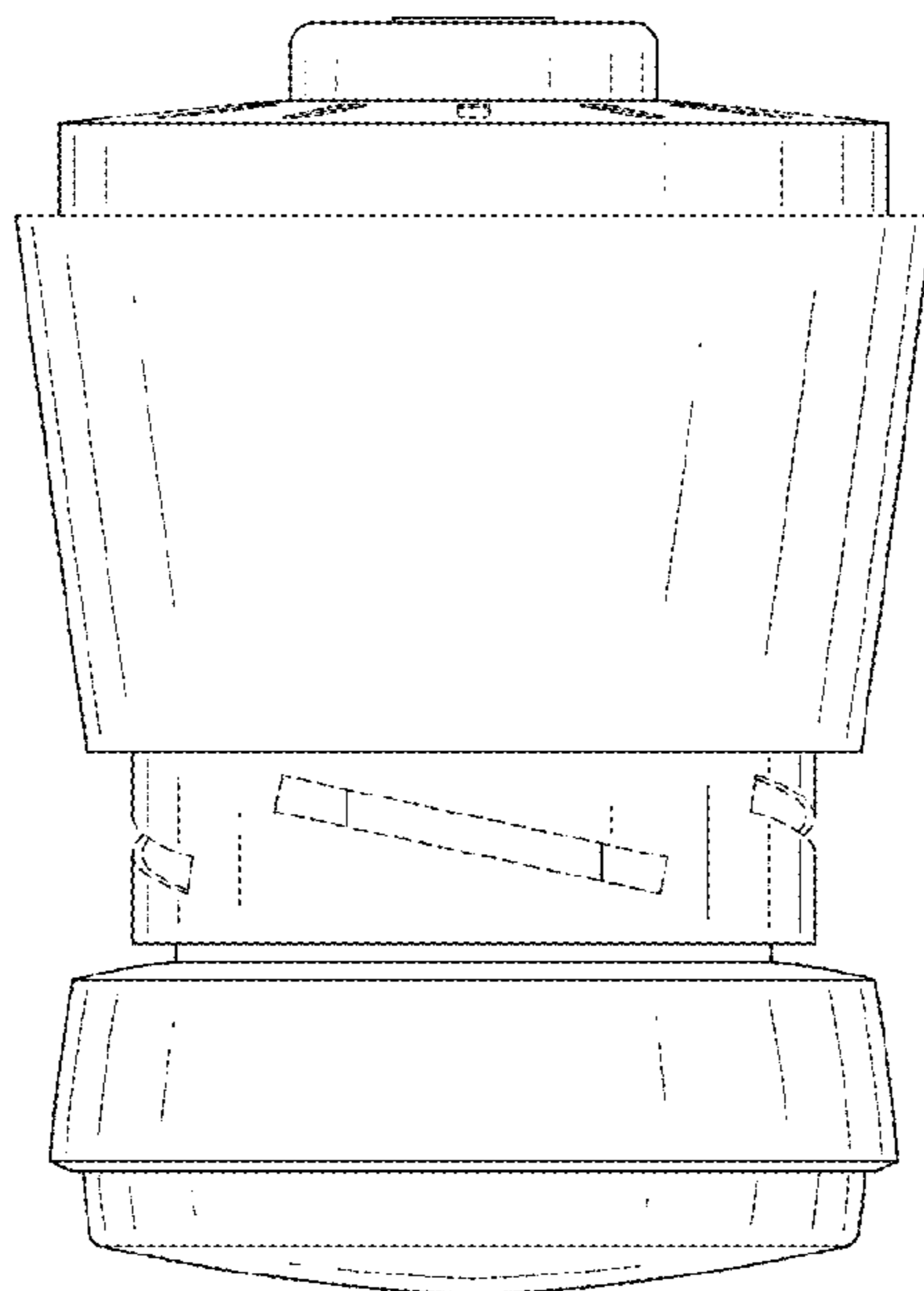


FIG. 4

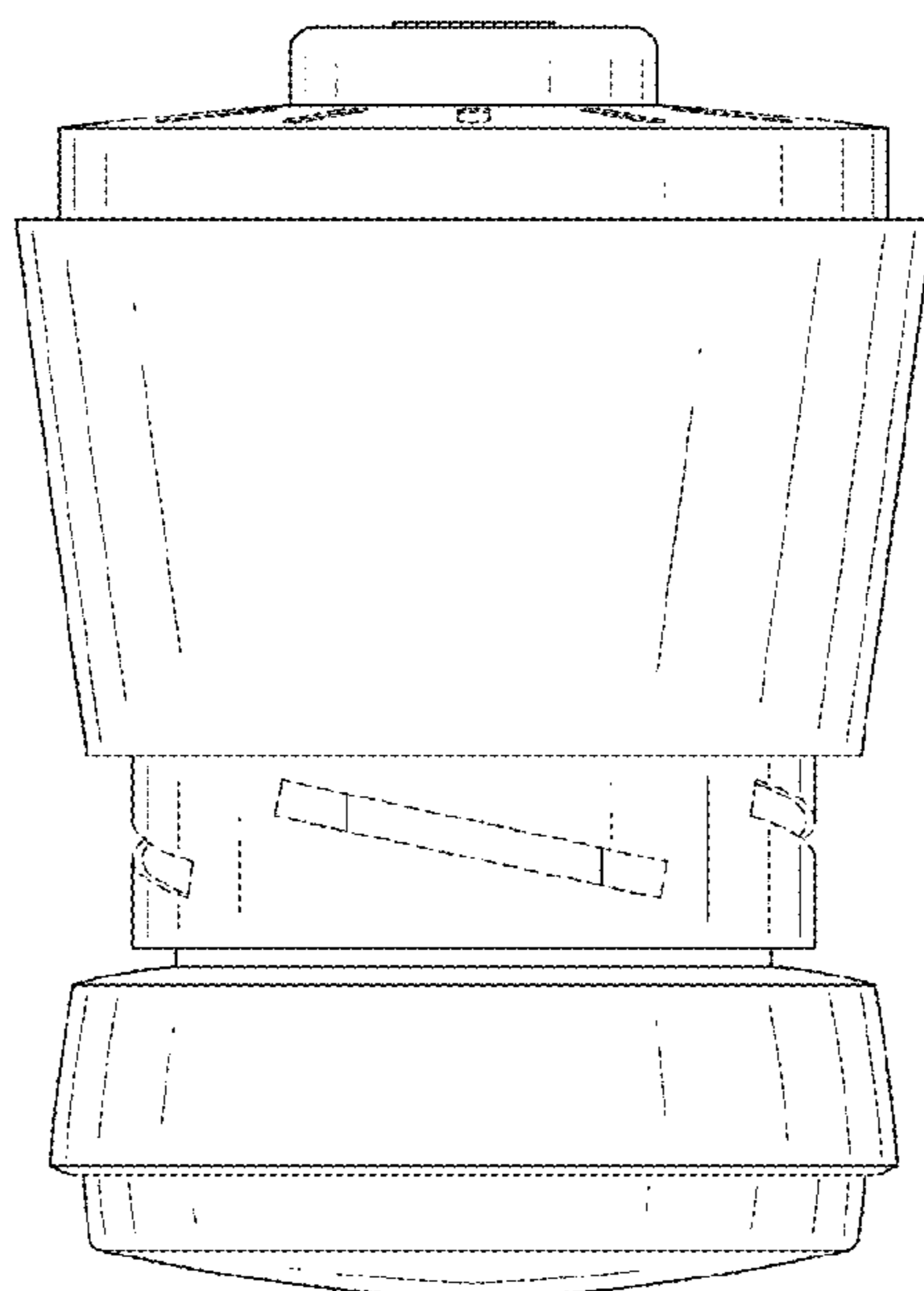


FIG. 5

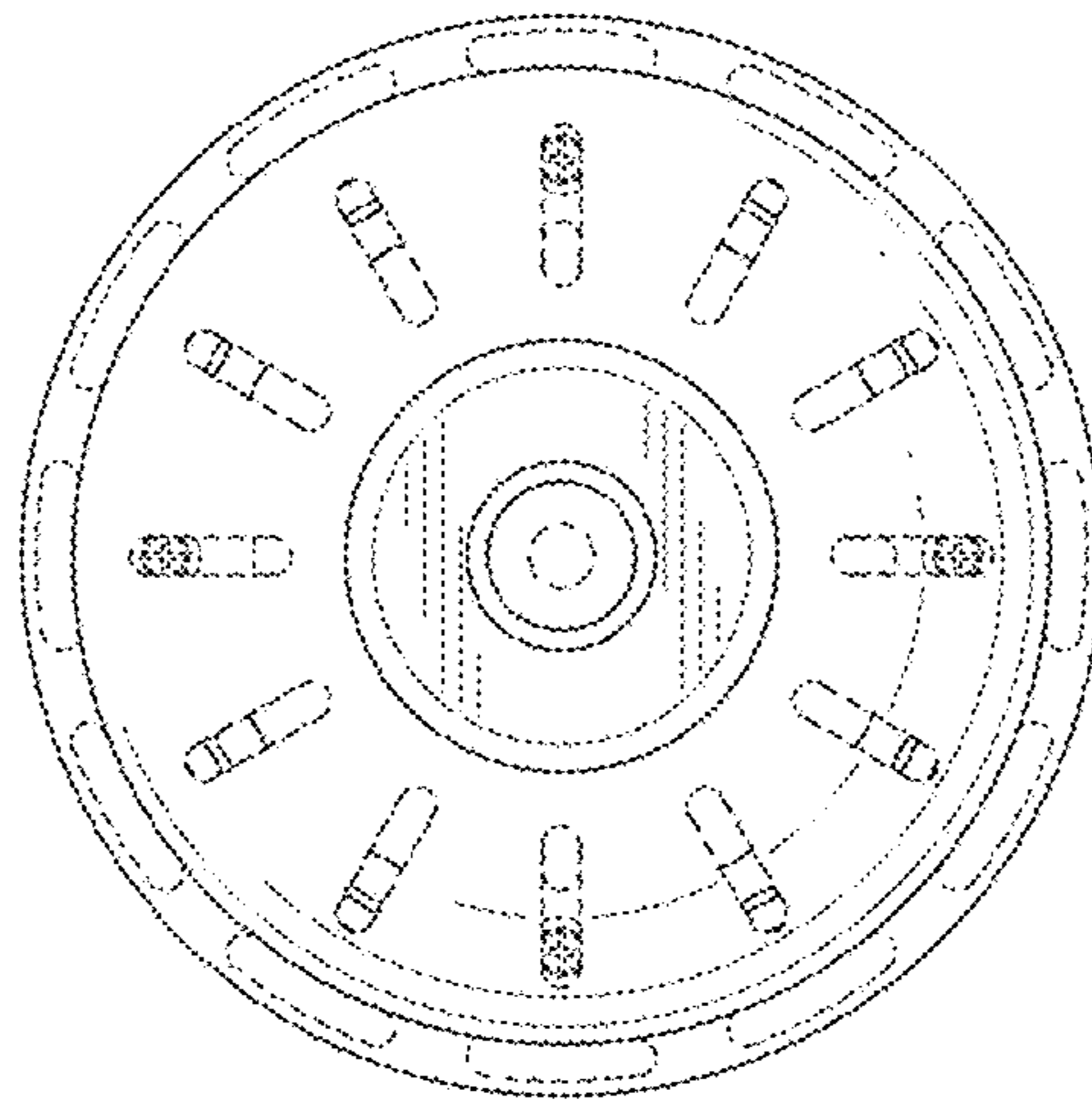


FIG. 6

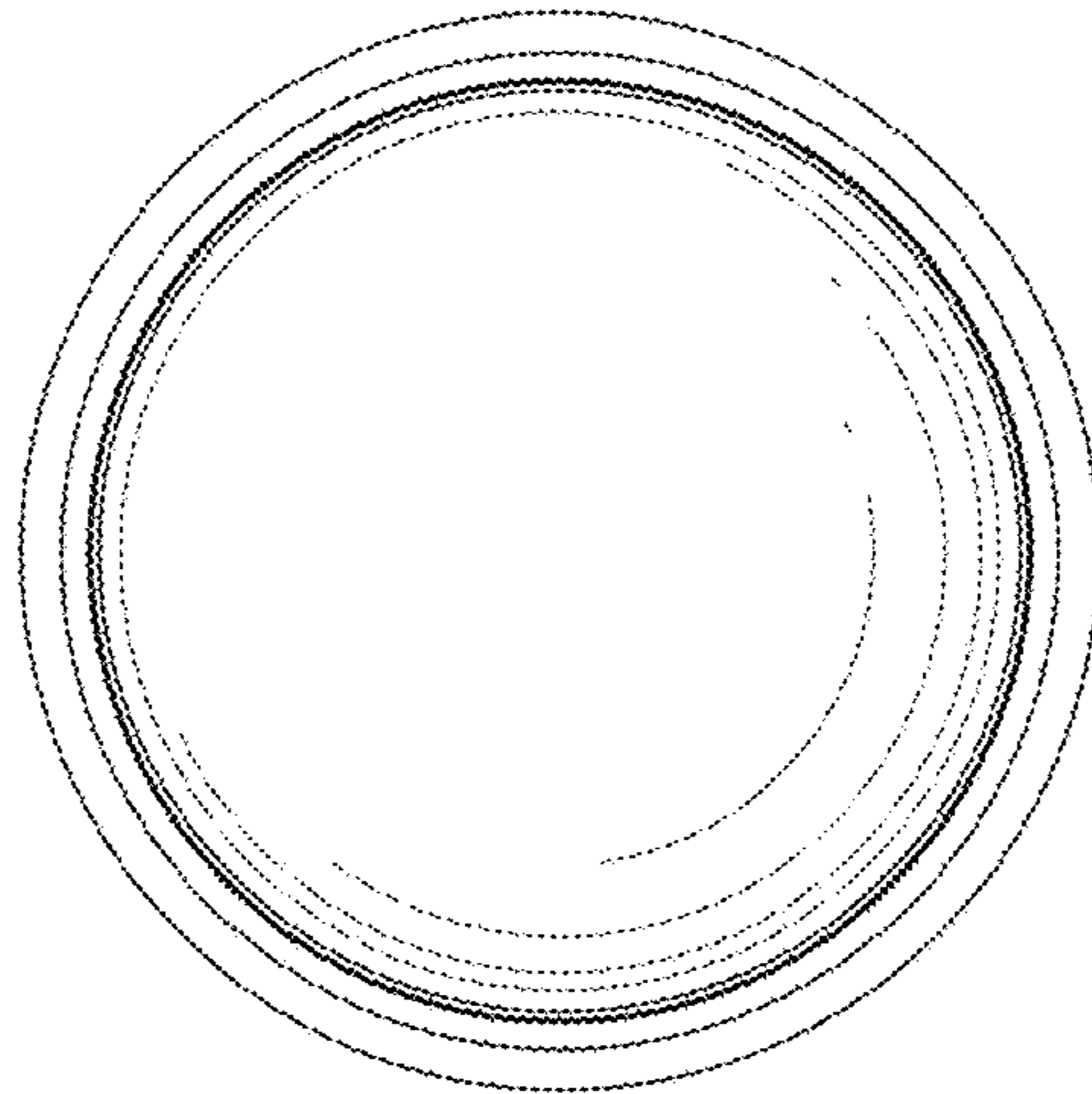


FIG. 7