



US00D706405S

(12) **United States Design Patent**
Storch

(10) **Patent No.:** **US D706,405 S**
(45) **Date of Patent:** **** Jun. 3, 2014**

(54) **COMBINATION SUPPORT AND EXHAUST HOOD FOR A MICROWAVE OVEN**

(71) Applicant: **Felix Storch, Inc.**, Bronx, NY (US)

(72) Inventor: **Paul Storch**, Bronx, NY (US)

(73) Assignee: **Felix Storch, Inc.**, Bronx, NY (US)

(**) Term: **14 Years**

(21) Appl. No.: **29/460,327**

(22) Filed: **Jul. 10, 2013**

(51) **LOC (10) Cl.** **23-04**

(52) **U.S. Cl.**
USPC **D23/372**

(58) **Field of Classification Search**
USPC D23/370–385, 411–414, 365, 364, 328,
D23/314, 386–394, 259; 415/60, 66, 68,
415/208.1, 213.1, 214.1; 310/257; 361/695;
126/299 D, 299 R; D26/51, 59, 72, 73;
D32/15, 16; 416/189; D13/179;
454/358–368; D25/199; 285/13, 43,
285/44; 52/58, 219

See application file for complete search history.

(56) **References Cited**

U.S. PATENT DOCUMENTS

3,908,905 A * 9/1975 Von Philipp et al. 239/55
4,102,557 A * 7/1978 Lee et al. 312/257.1
D256,613 S * 8/1980 Hilker D23/385
D372,969 S * 8/1996 Hicks D23/393
D449,029 S * 10/2001 Hanson et al. D12/223

6,371,846 B1 * 4/2002 Powell et al. 454/271
6,992,273 B2 * 1/2006 Yim et al. 219/757
D570,467 S * 6/2008 Nishio et al. D23/386
D617,442 S * 6/2010 Grages D23/393
8,389,917 B2 * 3/2013 Jeong 219/757
2013/0134156 A1 * 5/2013 Yu et al. 219/757

* cited by examiner

Primary Examiner — Susan Bennett Hattan

Assistant Examiner — Janice Hallmark

(74) *Attorney, Agent, or Firm* — Arthur Jacob

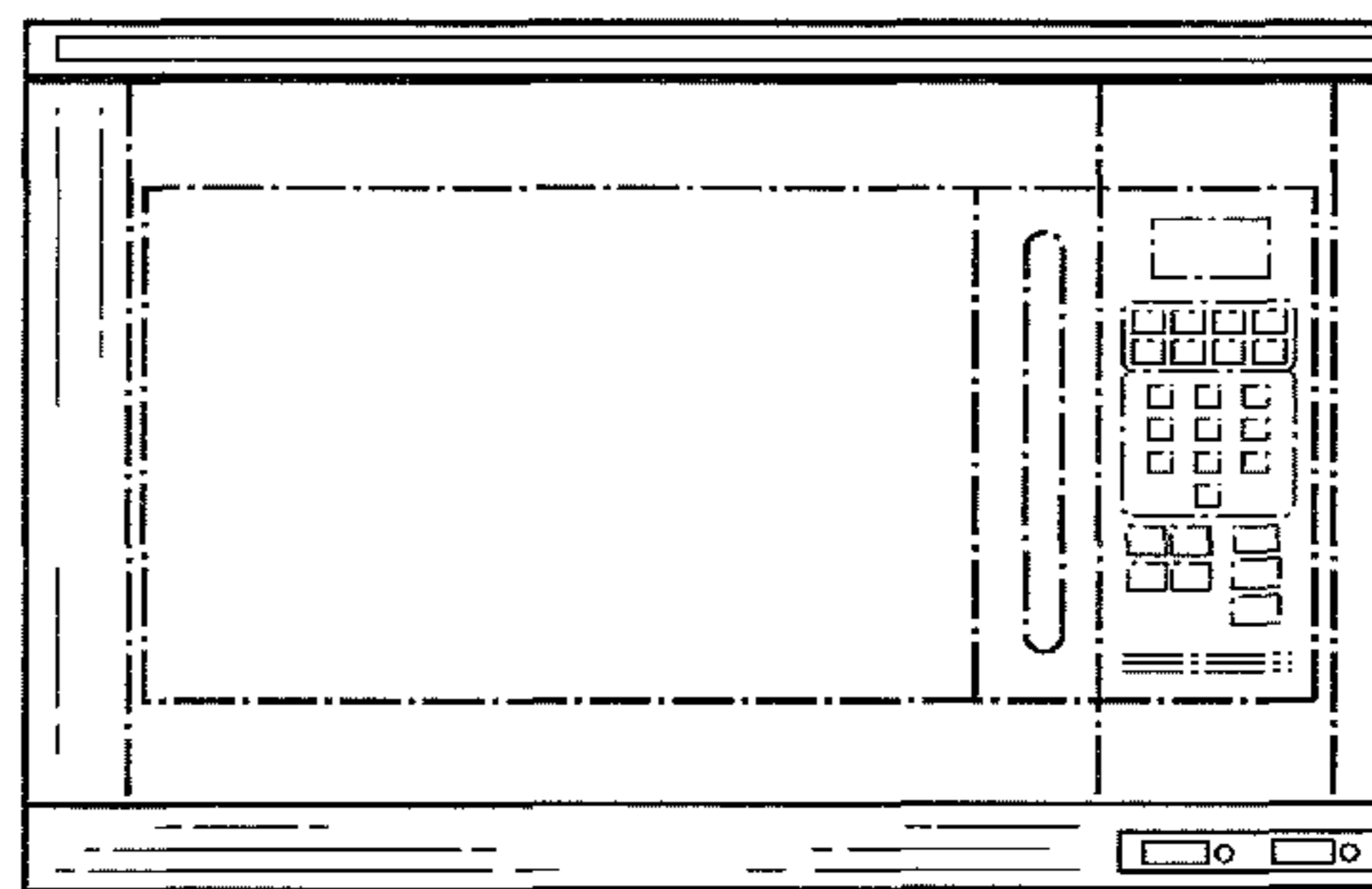
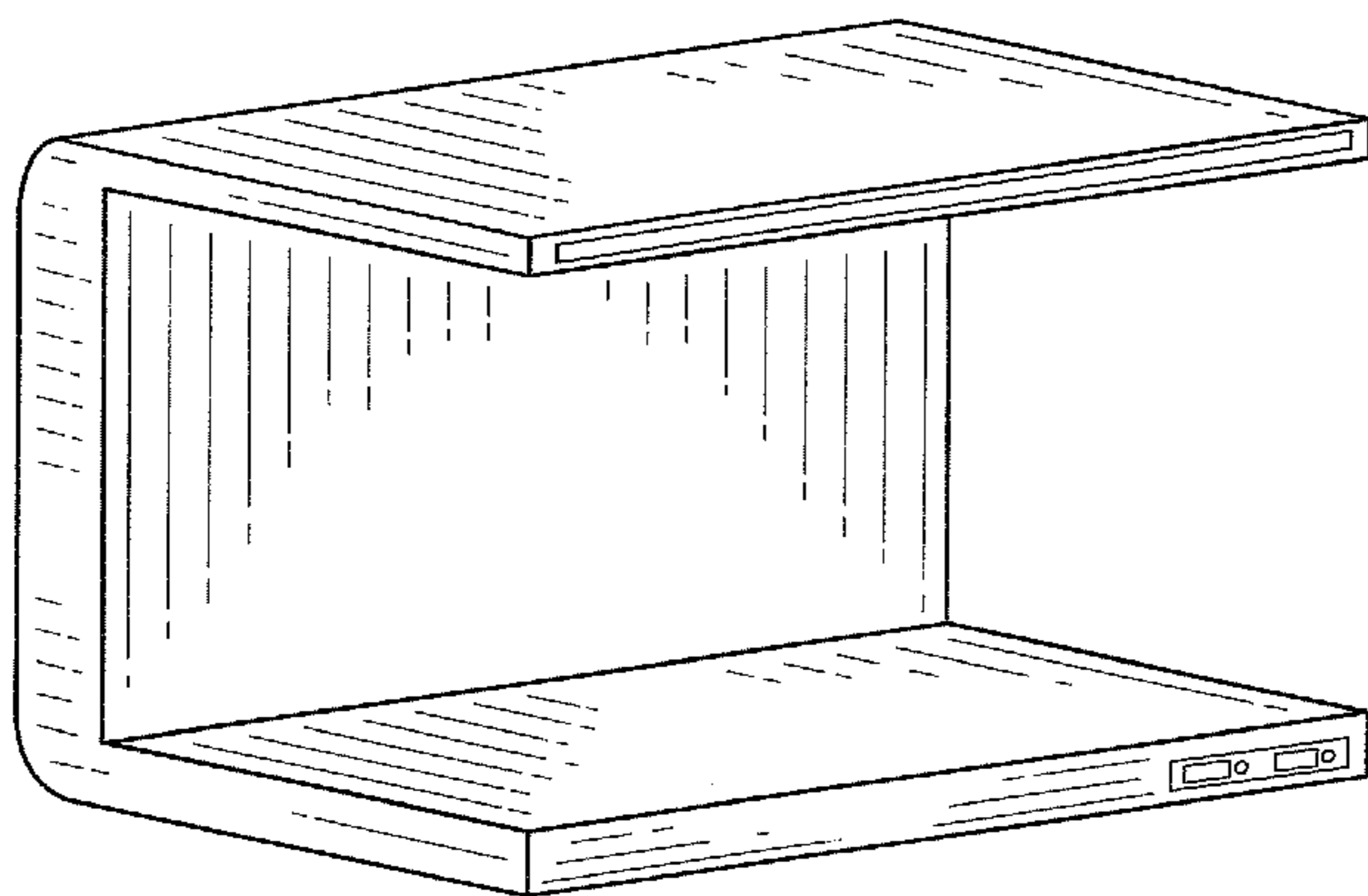
(57) **CLAIM**

The ornamental design for a combination support and exhaust hood for a microwave oven, as shown and described.

DESCRIPTION

FIG. 1 is a top, front and left-side perspective view of a combination support and exhaust hood for a microwave oven showing my new design;
FIG. 2 is a front elevational view thereof;
FIG. 3 is a rear elevational view thereof;
FIG. 4 is a left side elevational view thereof, the right side elevational view being a mirror image thereof;
FIG. 5 is a top plan view thereof;
FIG. 6 is a bottom plan view thereof;
FIG. 7 is a cross-sectional view thereof, taken along line 7-7 of FIG. 2; and,
FIG. 8 is a front elevational view showing a microwave oven in dash-dot-dash lines to demonstrate the end use of the combination support and exhaust hood for a microwave oven. The dash-dot-dash lines in the drawings depict environmental subject matter only and form no part of the claimed design.

1 Claim, 4 Drawing Sheets



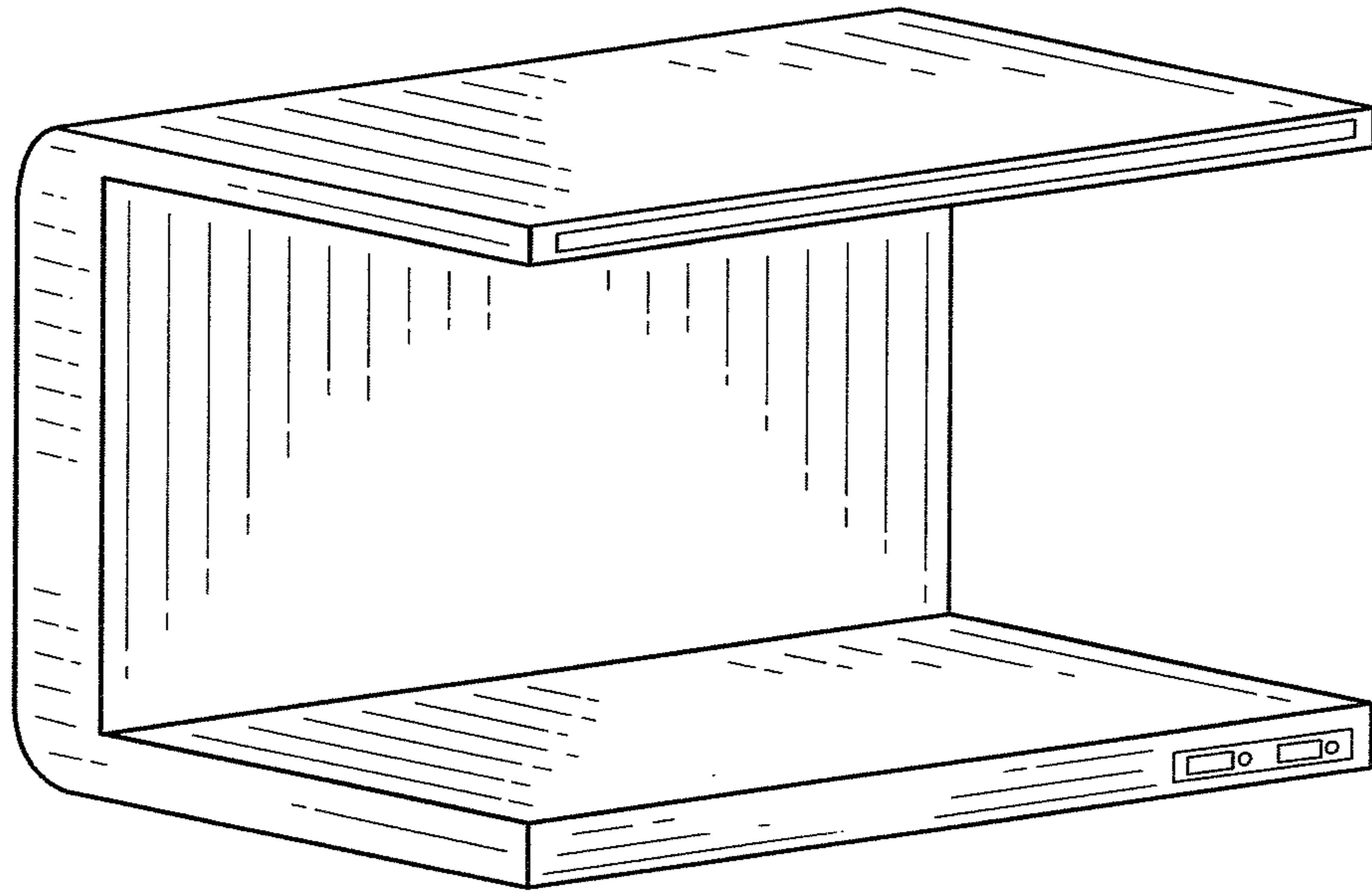


FIG. 1

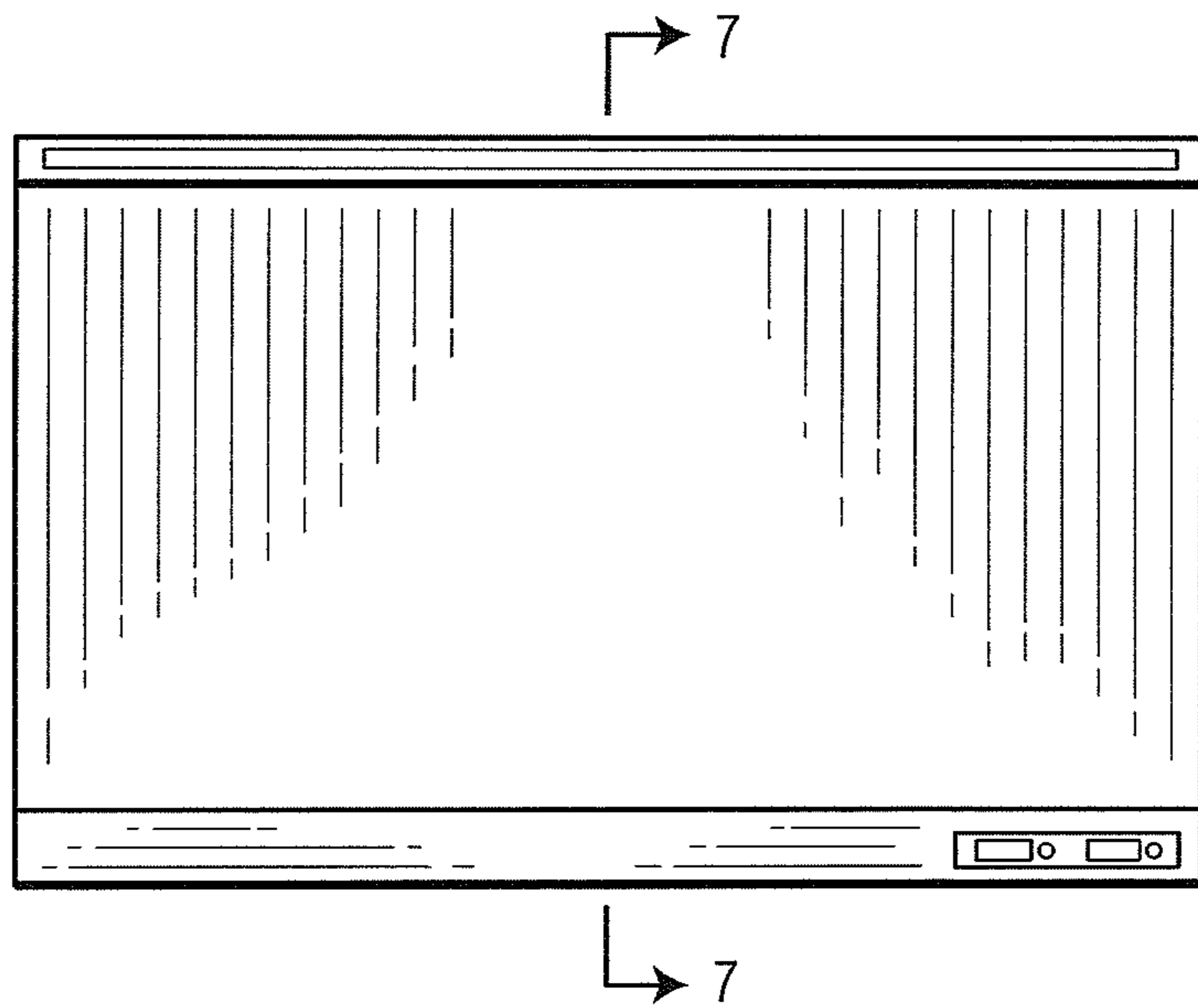


FIG. 2

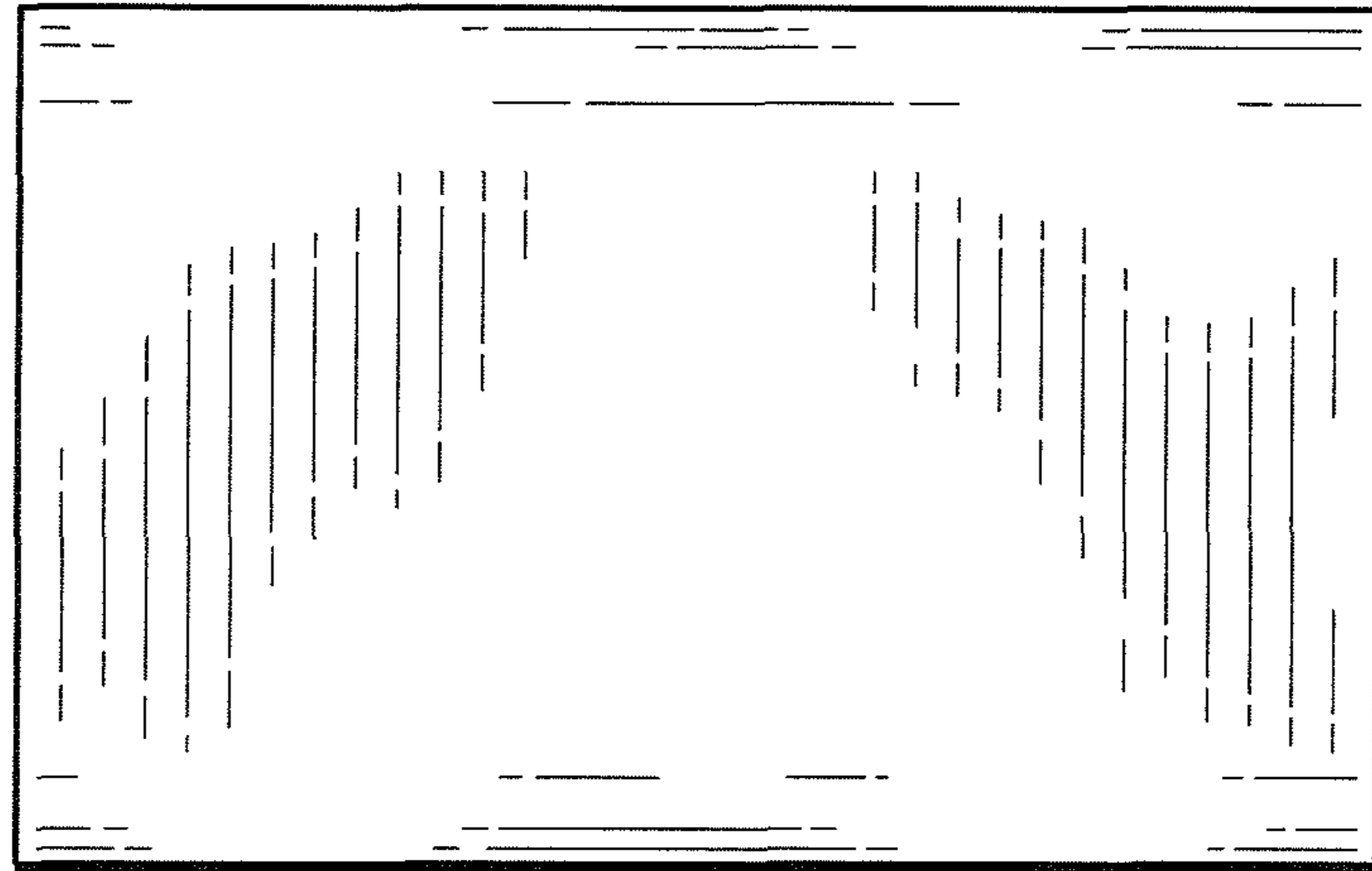


FIG. 3

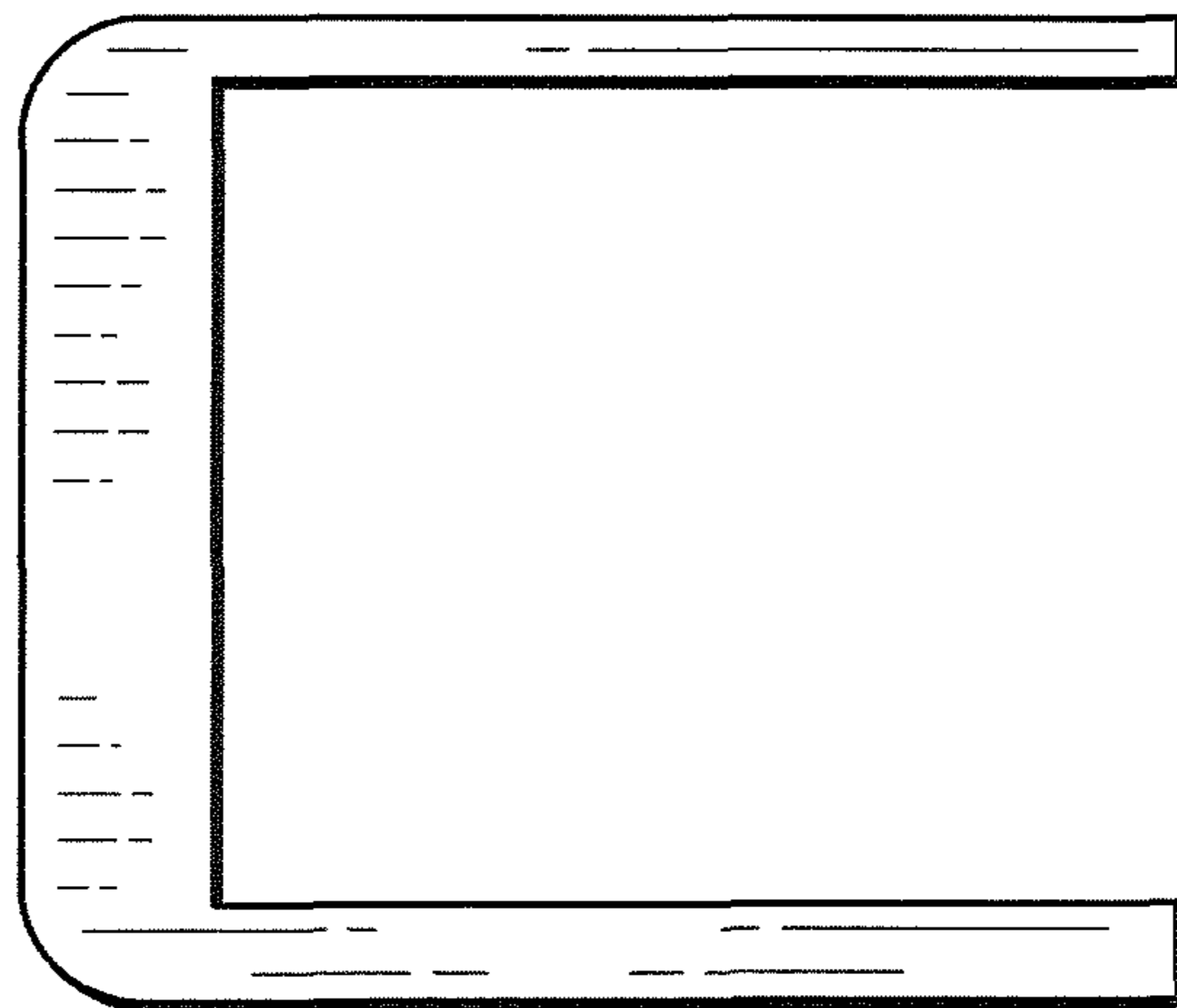


FIG. 4

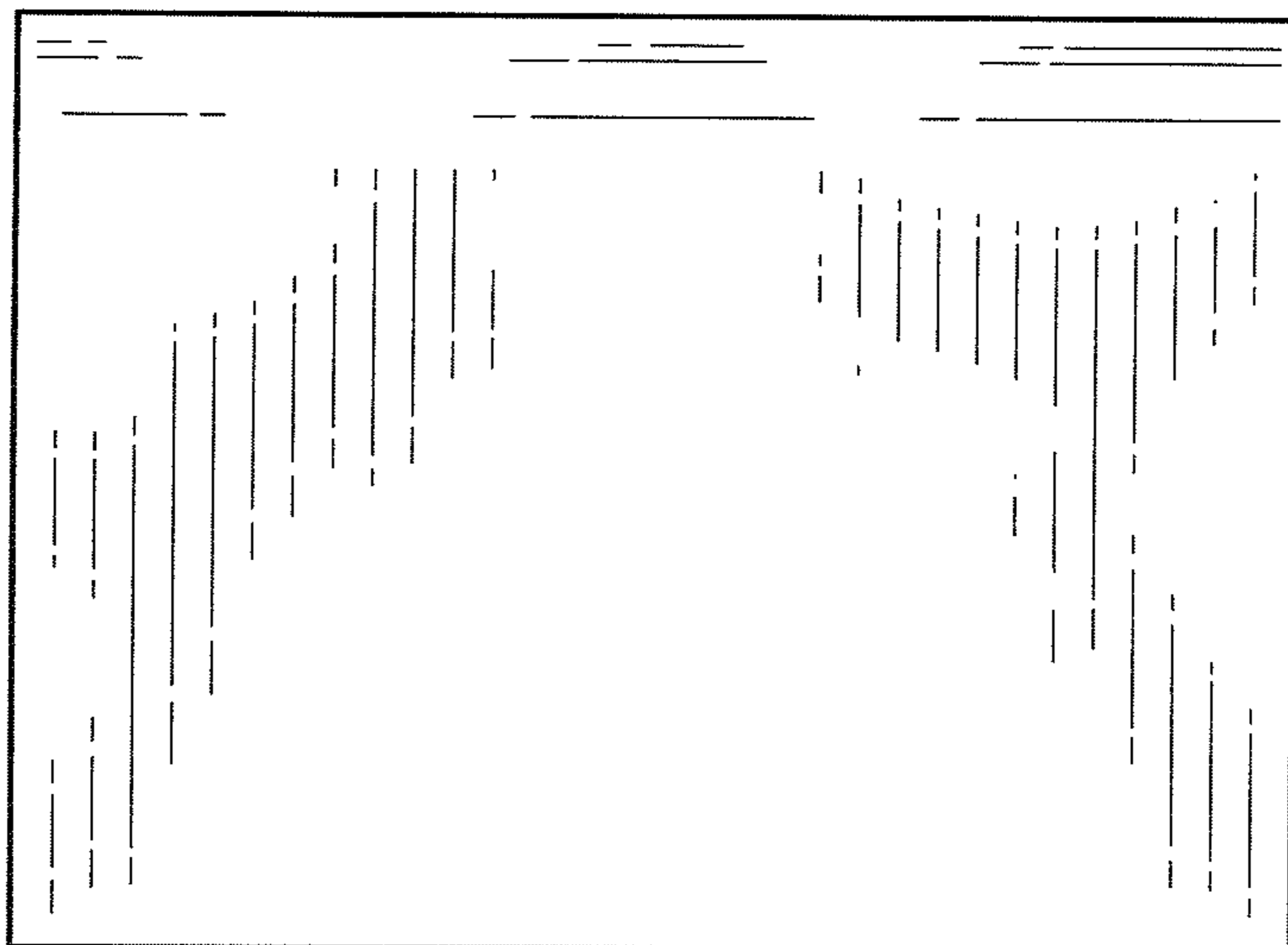


FIG. 5

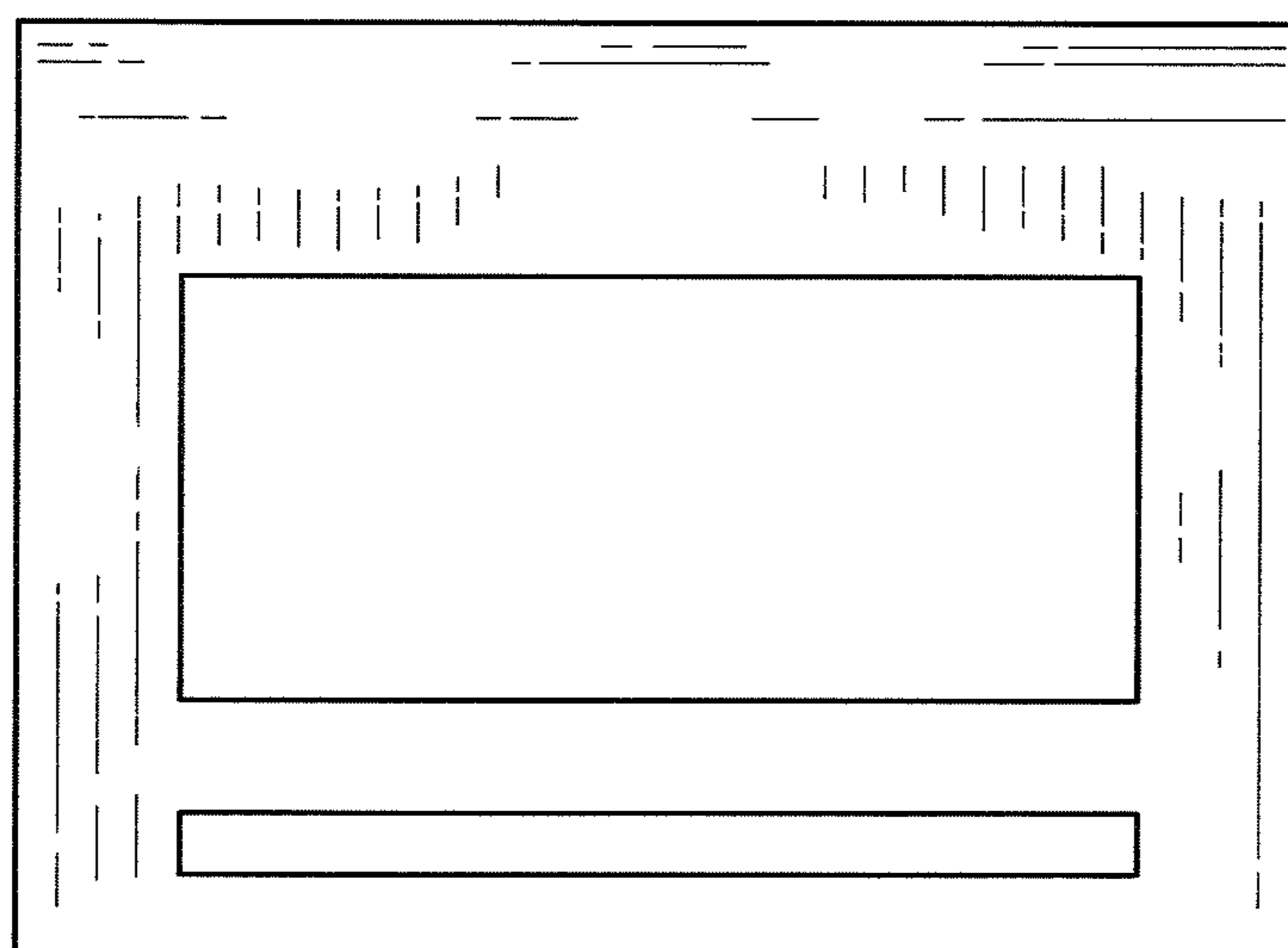


FIG. 6

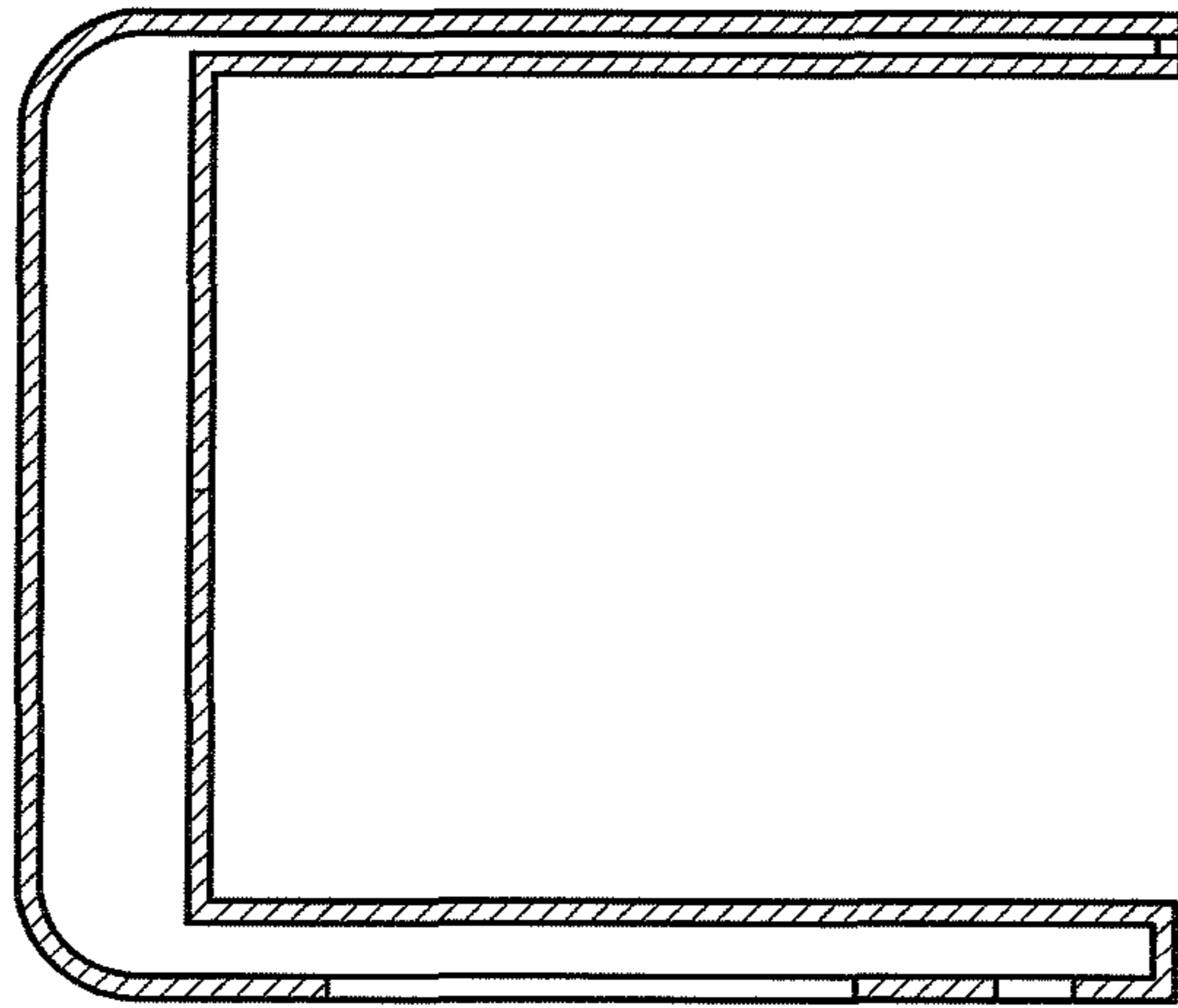


FIG. 7

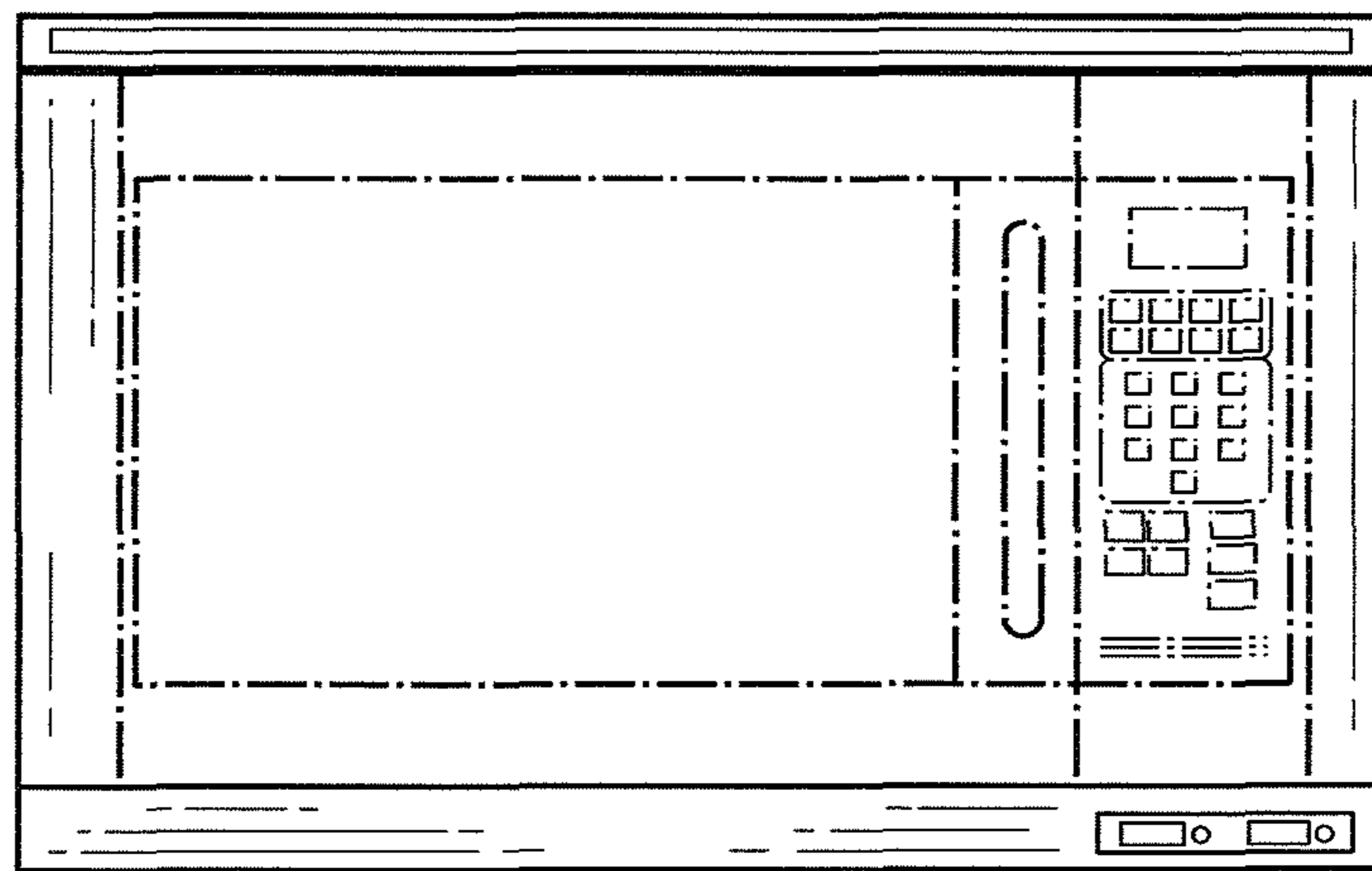


FIG. 8