



US00D706403S

(12) **United States Design Patent**
Carter et al.

(10) **Patent No.:** **US D706,403 S**
(45) **Date of Patent:** **** Jun. 3, 2014**

- (54) **SWIMMING POOL WATER COOLER**
- (71) Applicants: **Joshua Carter**, Flower Mound, TX (US); **Brian Shepard**, Flower Mound, TX (US); **Travis Erpenbach**, Lewisville, TX (US)
- (72) Inventors: **Joshua Carter**, Flower Mound, TX (US); **Brian Shepard**, Flower Mound, TX (US); **Travis Erpenbach**, Lewisville, TX (US)

Primary Examiner — T. Chase Nelson
Assistant Examiner — Ania Aman
 (74) *Attorney, Agent, or Firm* — David G. Moore

(**) **Term:** **14 Years**

(21) **Appl. No.:** **29/442,105**

(22) **Filed:** **Dec. 7, 2012**

(51) **LOC (10) Cl.** **23-03**

(52) **U.S. Cl.**
USPC **D23/314**

(58) **Field of Classification Search**
USPC D23/314, 316, 322; 4/541.1; 417/279, 417/53, 366

See application file for complete search history.

(56) **References Cited**

U.S. PATENT DOCUMENTS

6,171,071	B1 *	1/2001	Tzeng et al.	417/279
2006/0288476	A1 *	12/2006	Reynolds	4/541.1
2011/0052418	A1 *	3/2011	Morrow	417/53

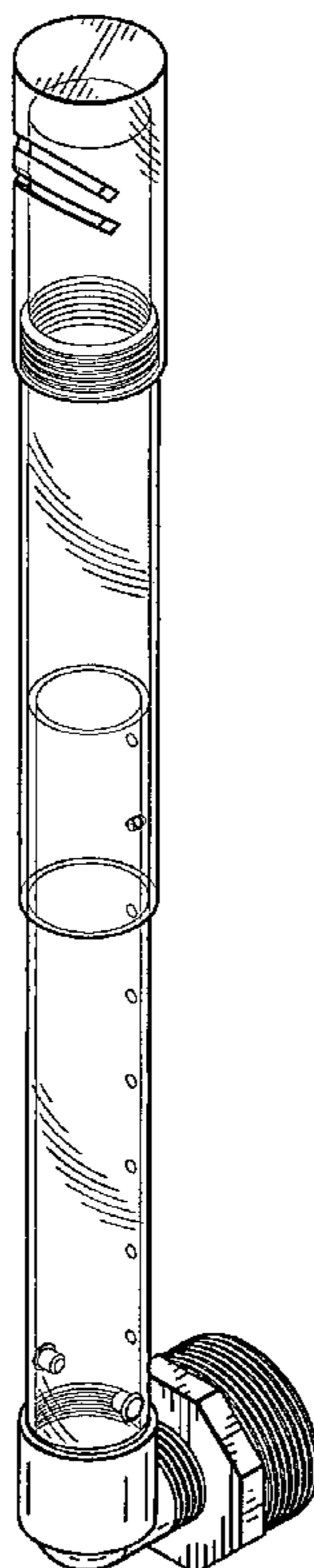
* cited by examiner

(57) **CLAIM**
The ornamental design for a swimming pool water cooler, as shown and described.

DESCRIPTION

FIG. 1 is an oblique perspective of the swimming pool water cooler showing our new design;
 FIG. 2 is a view of the front side of the swimming pool water cooler;
 FIG. 3 is a view of the back side of the swimming pool water cooler;
 FIG. 4 is a view of the left side of the swimming pool water cooler;
 FIG. 5 is a view of the right side of the swimming pool water cooler;
 FIG. 6 is a view of the bottom left side of the swimming pool water cooler; and,
 FIG. 7 is a view of the bottom right side of the swimming pool water cooler.
 In the drawings, the broken lines depict unclaimed subject matter only and form no part of the claimed design.

1 Claim, 4 Drawing Sheets



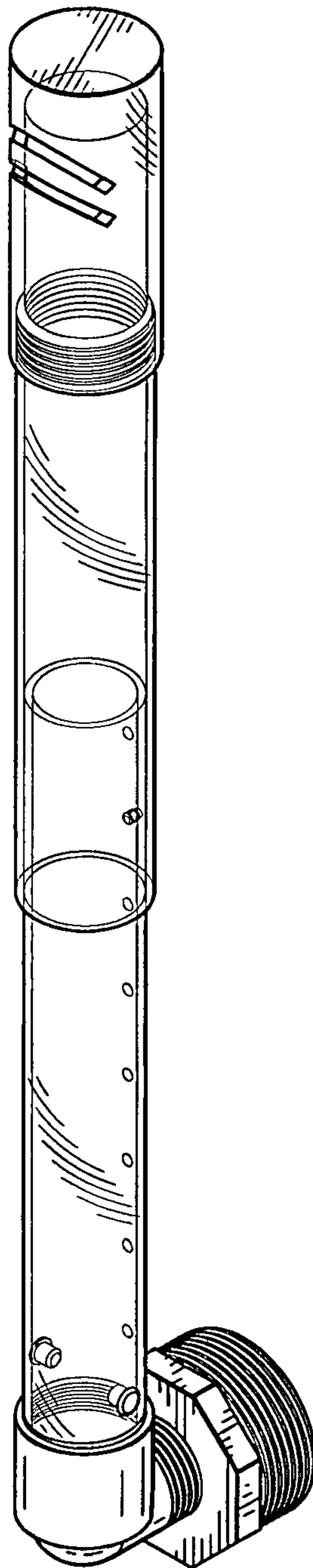


FIG. 1

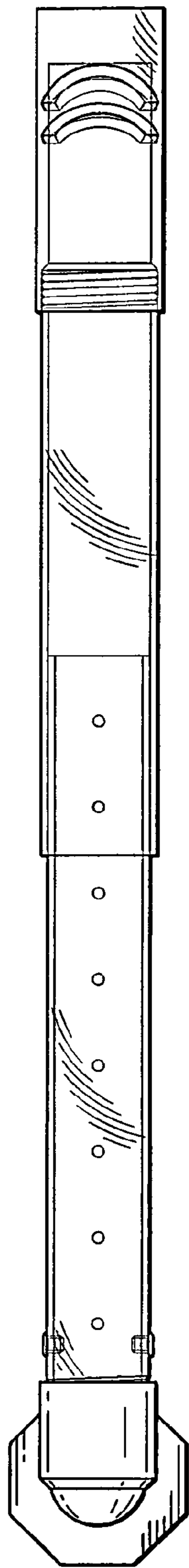


FIG. 2

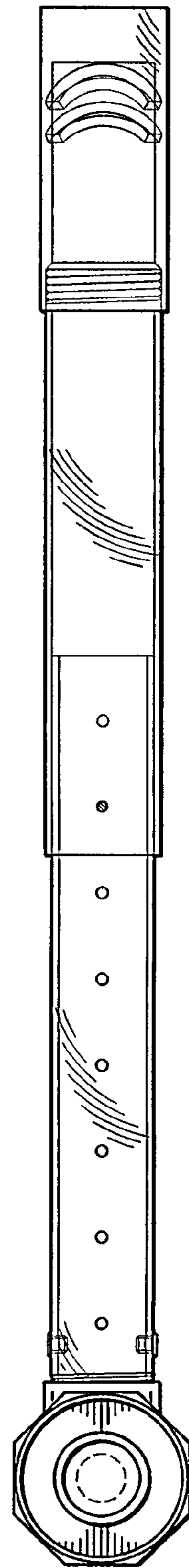


FIG. 3

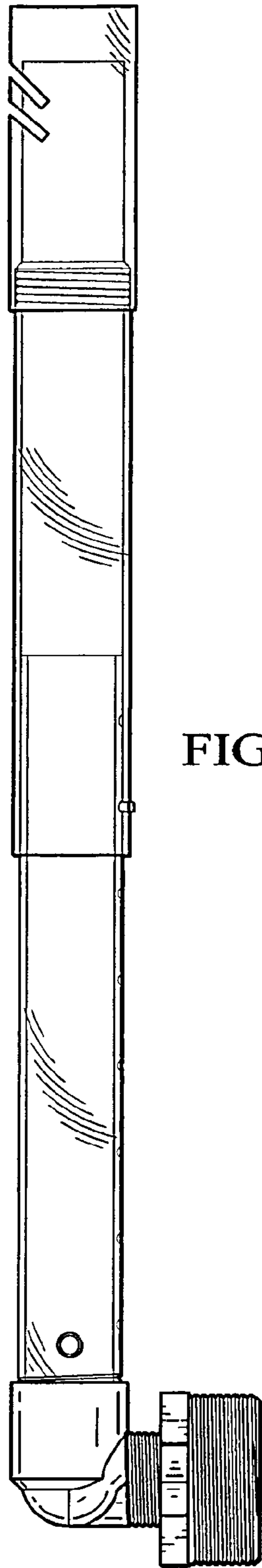


FIG. 4

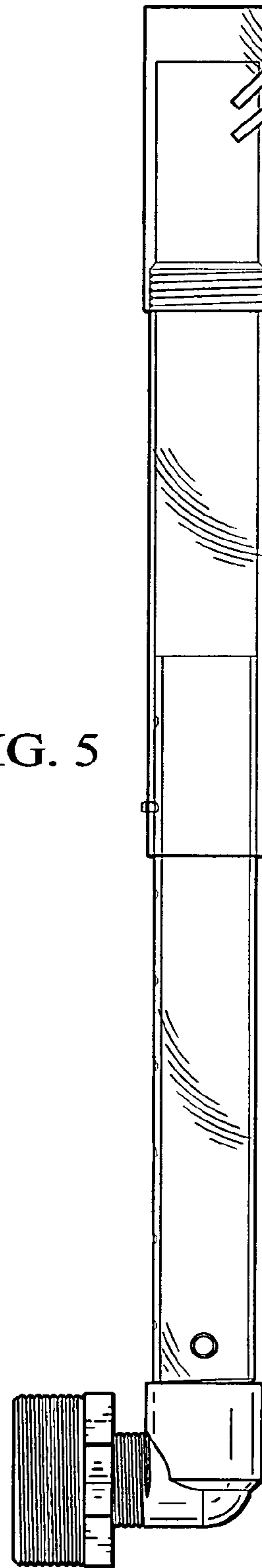


FIG. 5

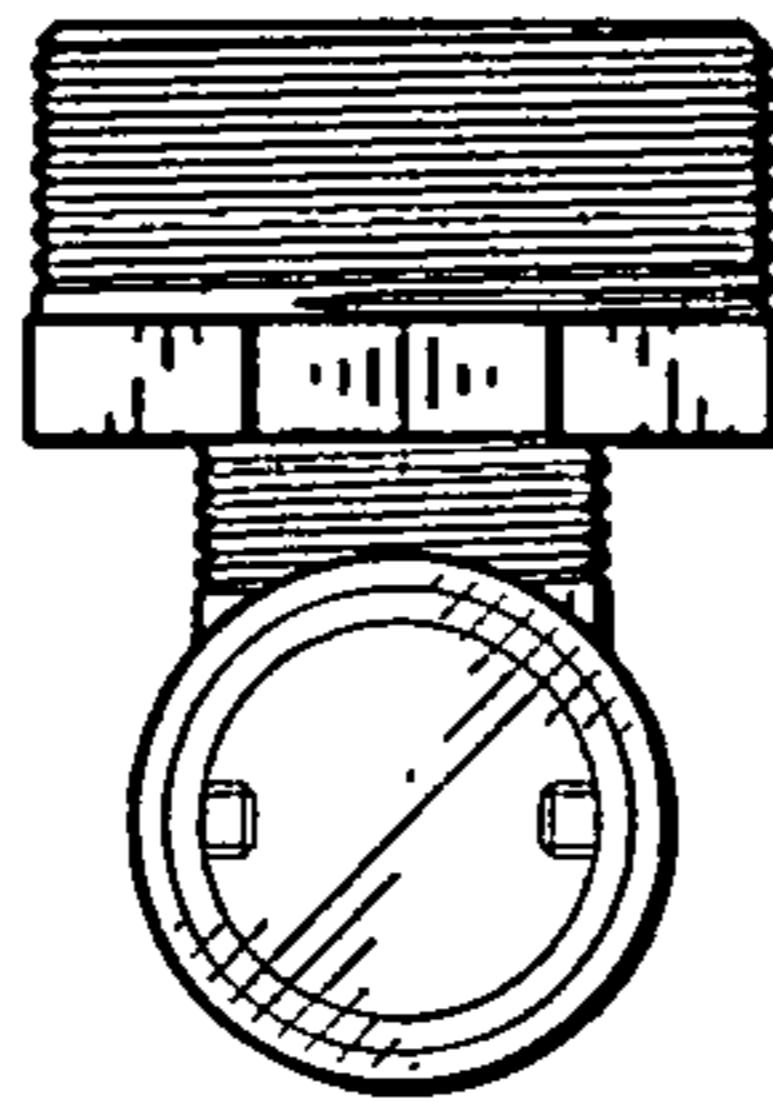


FIG. 6

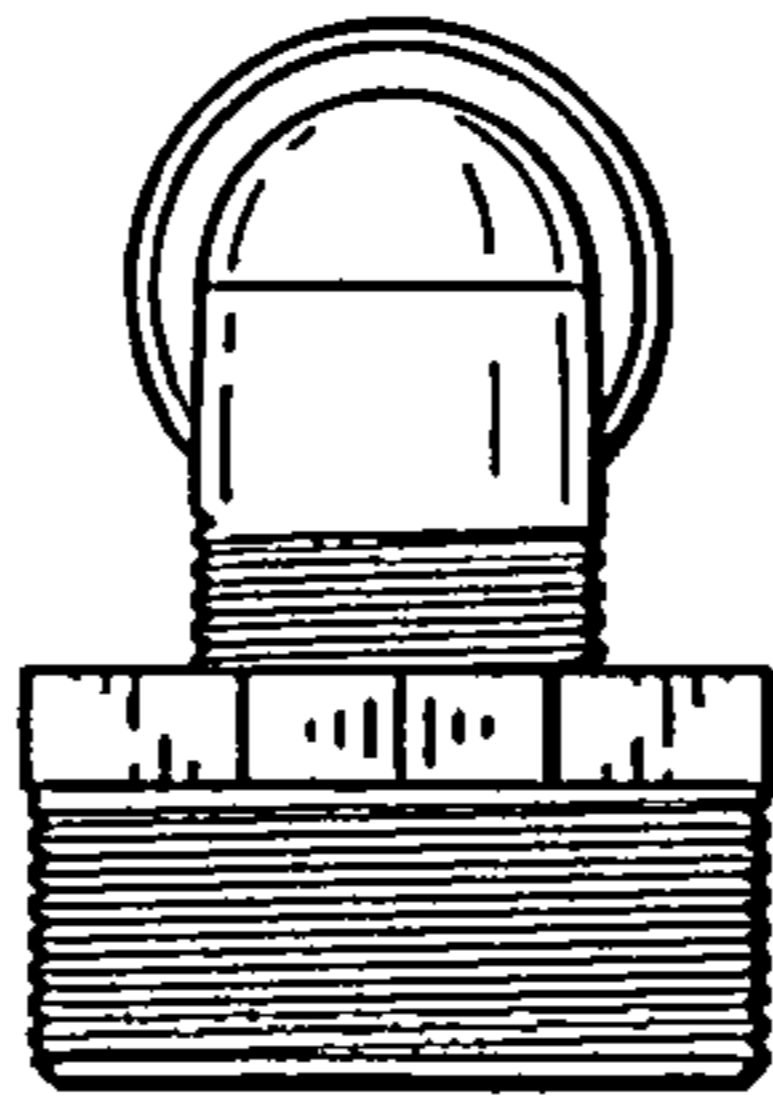


FIG. 7