



US00D706400S

(12) **United States Design Patent**  
**Spangler**

(10) **Patent No.:** **US D706,400 S**

(45) **Date of Patent:** **\*\* Jun. 3, 2014**

(54) **TOILET**

D647,184 S \* 10/2011 Bates ..... D23/295  
D657,030 S \* 4/2012 Bates ..... D23/309  
D670,368 S \* 11/2012 Vanderheyden et al. .... D23/309  
D688,356 S \* 8/2013 Mendoza et al. .... D23/301

(71) Applicant: **Masco Corporation of Indiana,**  
Indianapolis, IN (US)

\* cited by examiner

(72) Inventor: **Anthony Spangler,** Indianapolis, IN  
(US)

*Primary Examiner* — Robert Delehanty

(73) Assignee: **Masco Corporation of Indiana,**  
Indianapolis, IN (US)

(74) *Attorney, Agent, or Firm* — Edgar A. Zarins; Nirav D.  
Parikh

(\*\*) Term: **14 Years**

(57) **CLAIM**

The ornamental design for a toilet, as shown and described.

(21) Appl. No.: **29/456,692**

(22) Filed: **Jun. 3, 2013**

**DESCRIPTION**

(51) **LOC (10) Cl.** ..... **23-02**

(52) **U.S. Cl.**  
USPC ..... **D23/301**

(58) **Field of Classification Search**  
USPC ..... D23/295, 303, 309, 299, 301, 313, 311;  
4/300, 420, 353, 460, 234, 242.1, 237,  
4/239

See application file for complete search history.

FIG. 1 is a perspective view of a toilet showing my new design;  
FIG. 2 is a rear perspective view thereof;  
FIG. 3 is a front elevational view thereof;  
FIG. 4 is a top plan view thereof;  
FIG. 5 is a bottom view thereof;  
FIG. 6 is a rear view thereof;  
FIG. 7 is a left side view thereof; and,  
FIG. 8 is a right side view thereof.

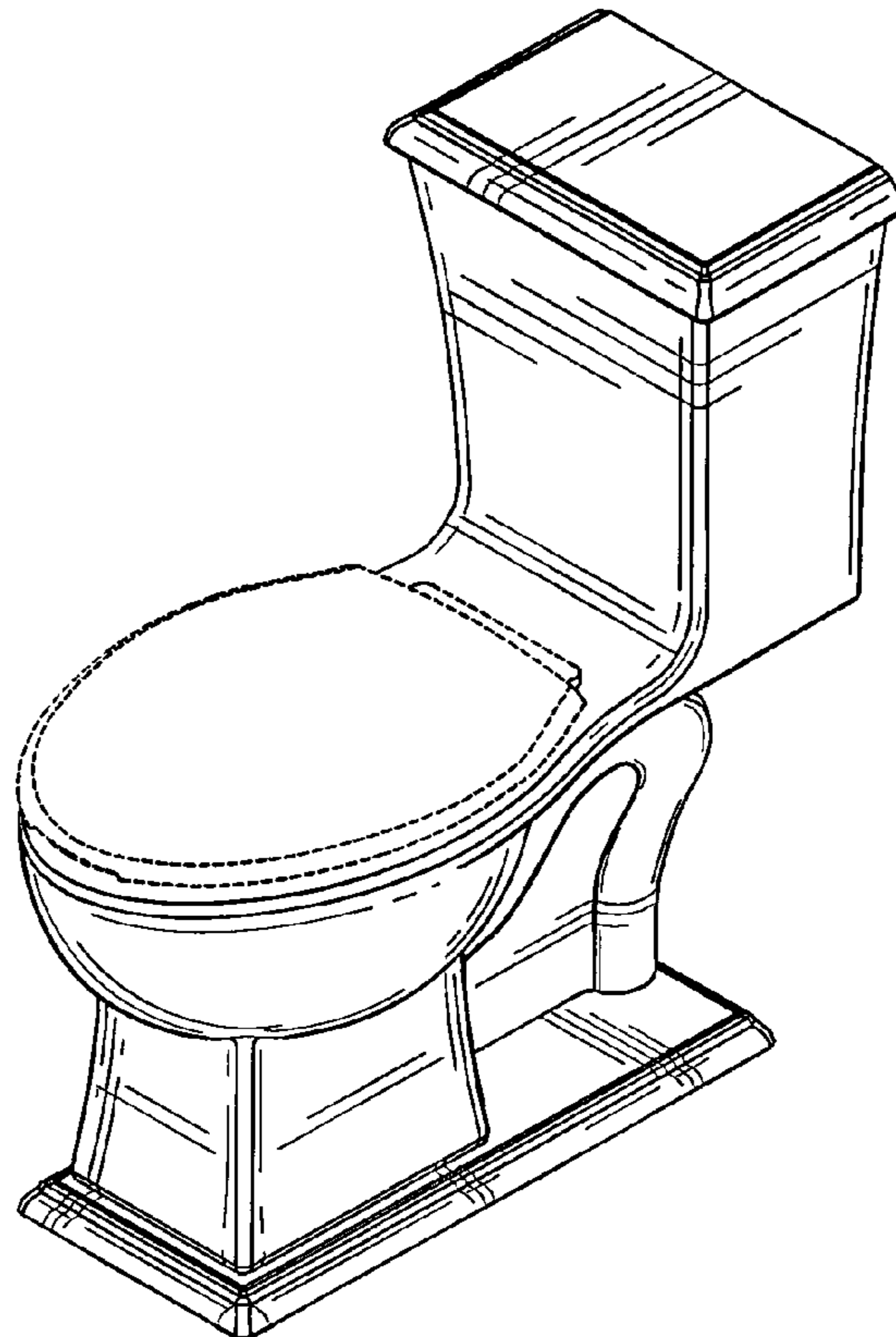
The broken line showing a toilet seat and lid is included for the purpose of illustrating a portion of the toilet that forms no part of the claimed design.

(56) **References Cited**

**U.S. PATENT DOCUMENTS**

D621,013 S \* 8/2010 Bucher ..... D23/301  
D640,779 S \* 6/2011 Bates ..... D23/313

**1 Claim, 3 Drawing Sheets**



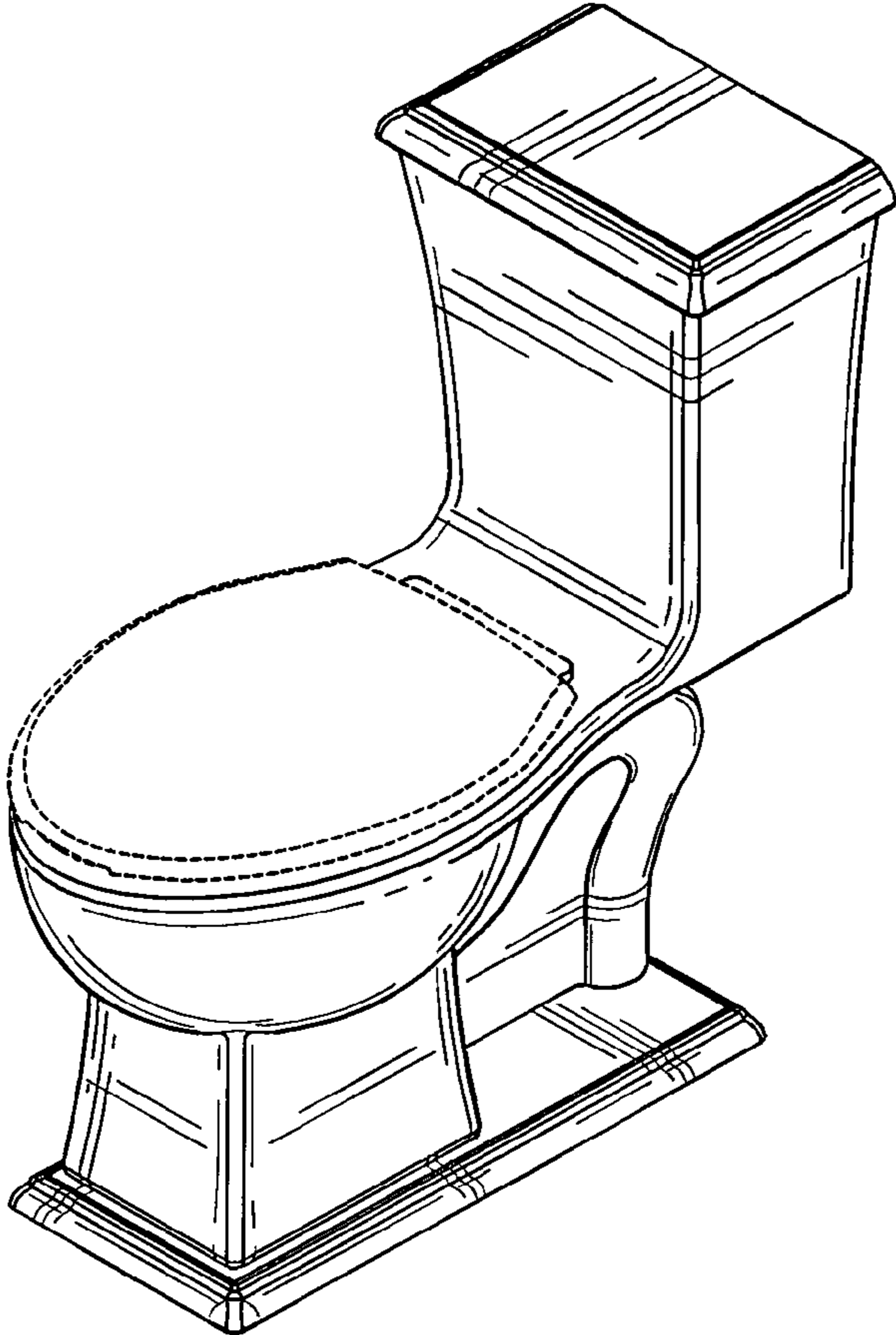


Fig-1

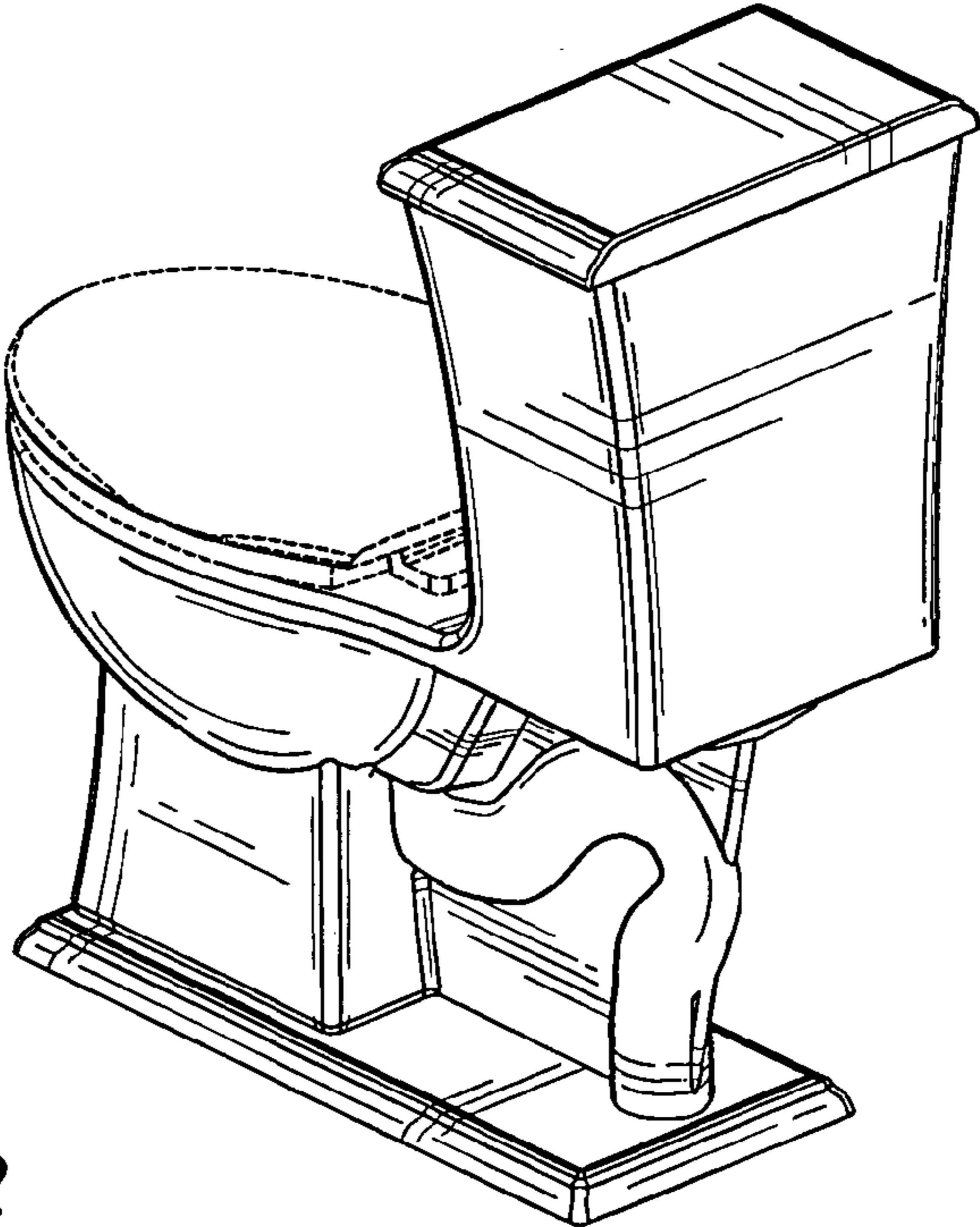


Fig-2

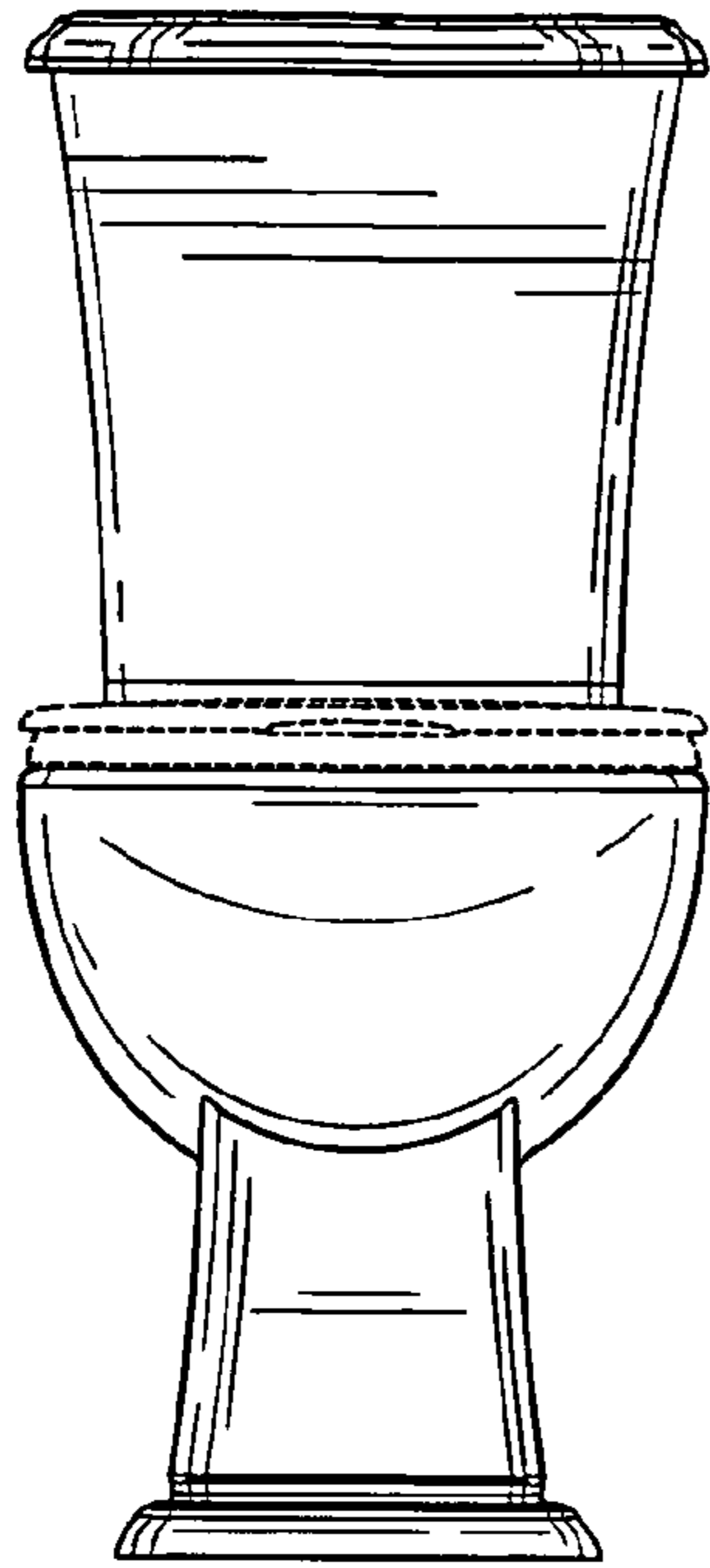


Fig-3

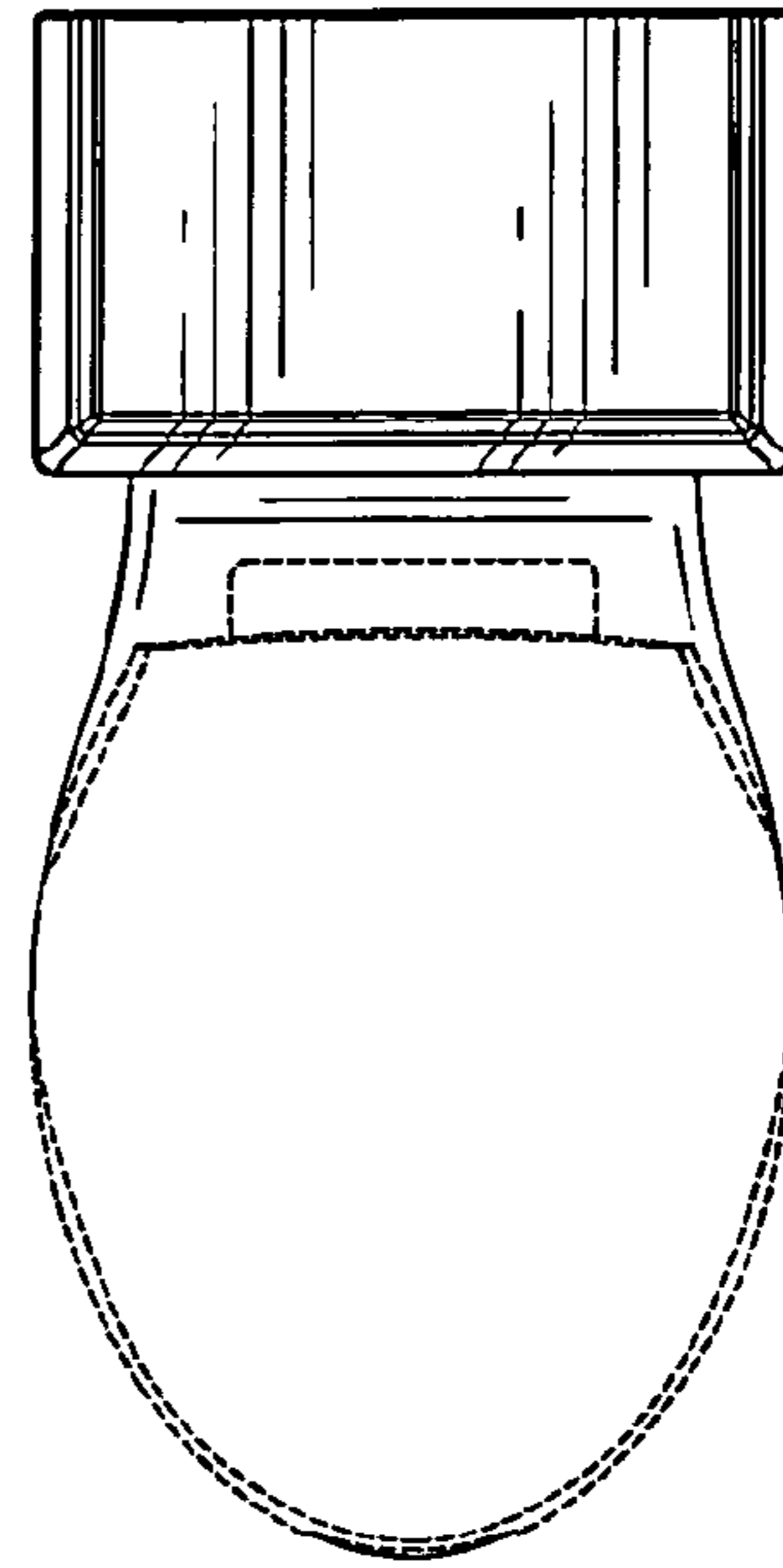


Fig-4

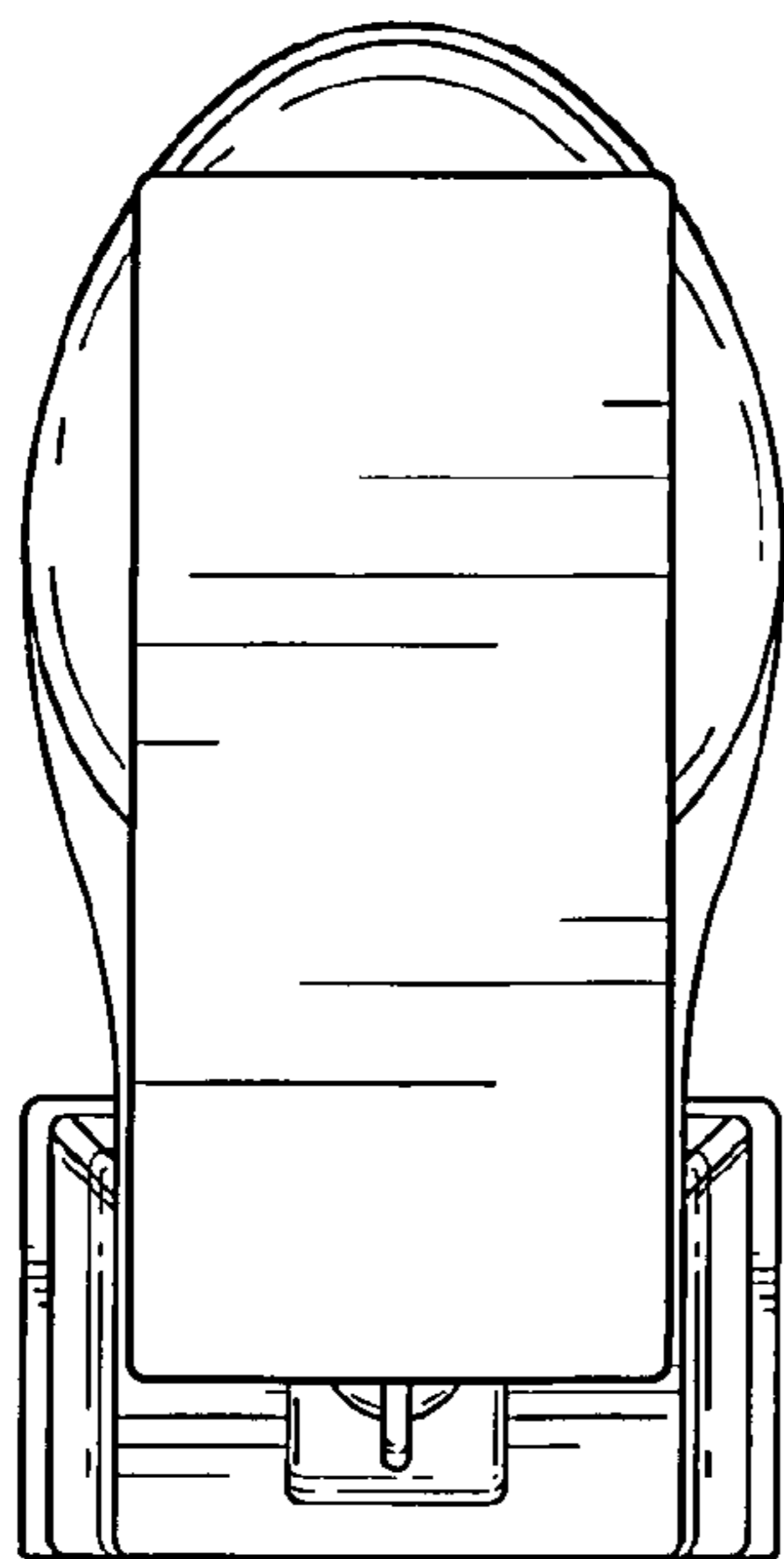


Fig-5

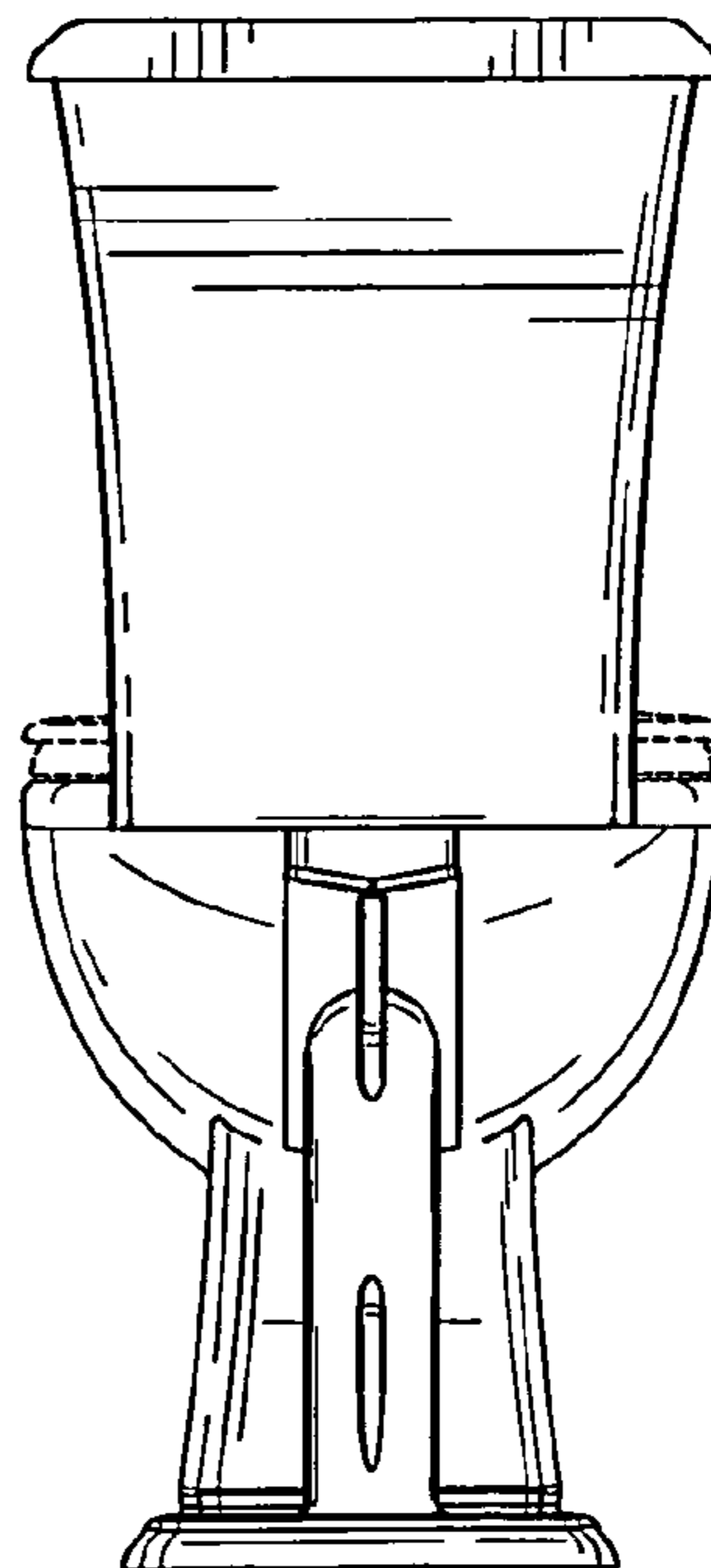


Fig-6

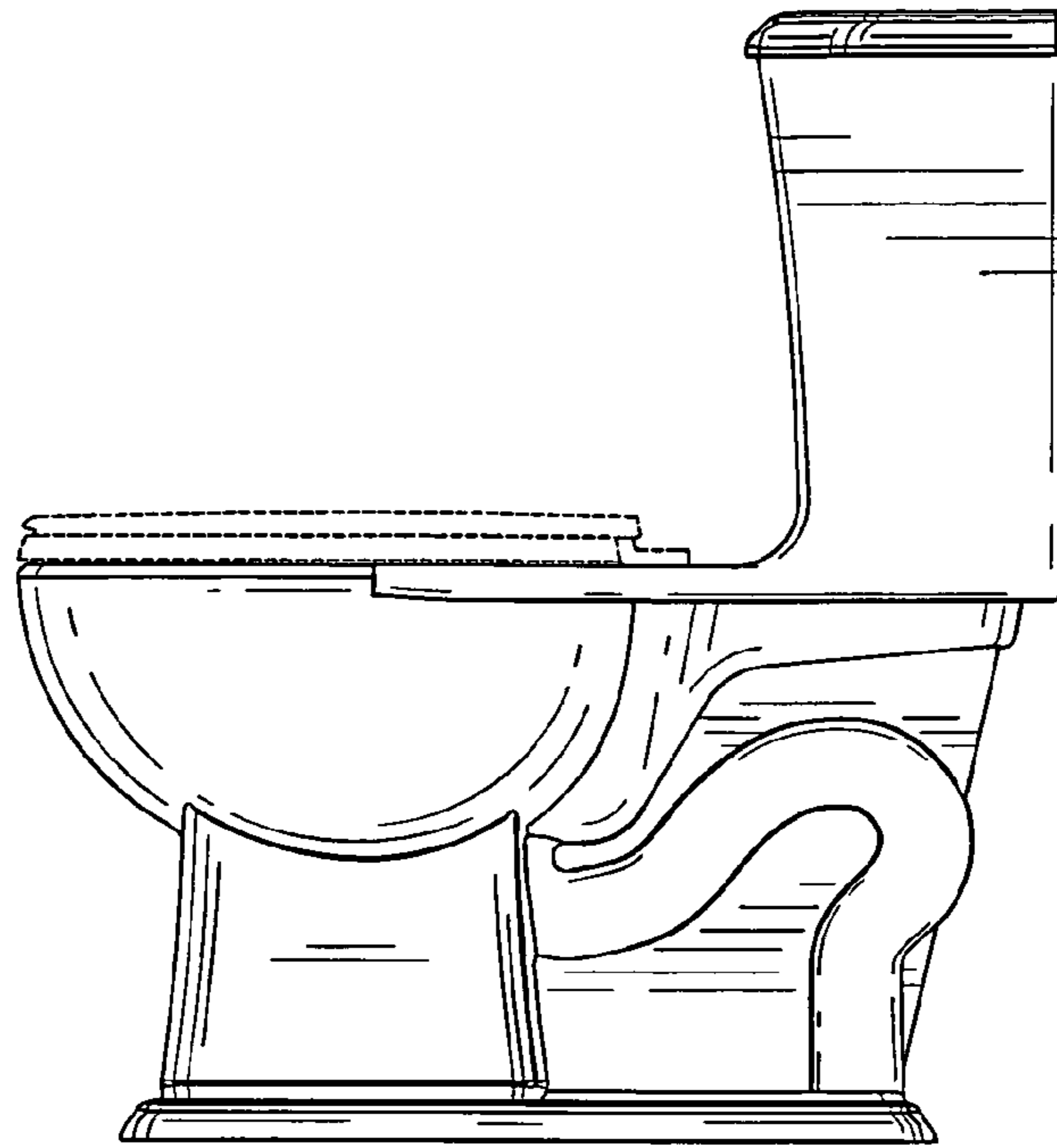


Fig-7

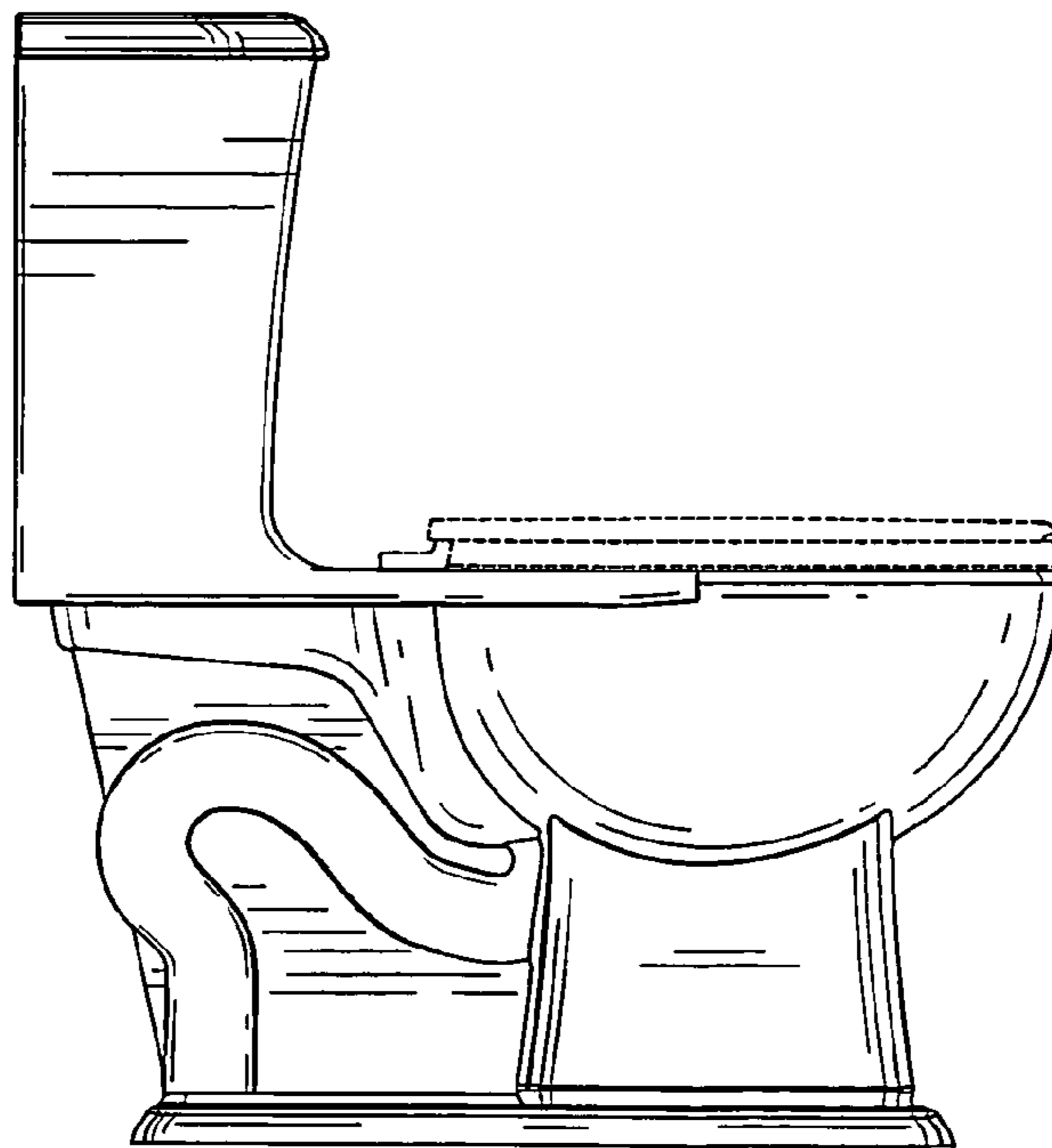


Fig-8