



US00D706399S

(12) **United States Design Patent**
Yang et al.

(10) **Patent No.:** **US D706,399 S**
(45) **Date of Patent:** **** Jun. 3, 2014**

(54) **FAUCETS**
(75) Inventors: **Chien Hun Yang**, New Taipei (TW);
Ming-Hui Hong, Hsiensi (TW)
(73) Assignee: **Aquasana, Inc.**, Austin, TX (US)
(**) Term: **14 Years**
(21) Appl. No.: **29/403,234**
(22) Filed: **Oct. 3, 2011**
(51) **LOC (10) Cl.** **23-01**
(52) **U.S. Cl.**
USPC **D23/252**
(58) **Field of Classification Search**
USPC D23/238–240, 250, 252, 254–255, 257;
4/675–678; 137/801
See application file for complete search history.

TW 497679 8/2002
TW D131609 10/2009
TW M381015 5/2010

OTHER PUBLICATIONS

Search Report issued in Taiwanese Design Application No. 101300527, dated Apr. 17, 2013.

* cited by examiner

Primary Examiner — Robert Delehanty
(74) *Attorney, Agent, or Firm* — Fulbright & Jaworski LLP

(56) **References Cited**
U.S. PATENT DOCUMENTS
D243,240 S 2/1977 Dreibelbis D23/241
D255,595 S 6/1980 Lampe et al. D23/238
4,856,559 A 8/1989 Lipshultz et al. 137/801
D326,897 S * 6/1992 Williams D23/238
D327,117 S 6/1992 Williams D23/238
D327,529 S 6/1992 Dannenberg D23/238
D350,591 S * 9/1994 Kawakami D23/238
D373,815 S 9/1996 Chaney D23/241
D415,560 S * 10/1999 Lindholm D23/238
D516,174 S * 2/2006 Kosasih D23/238
D578,612 S 10/2008 Burrows D23/238
D665,052 S * 8/2012 Wang D23/238

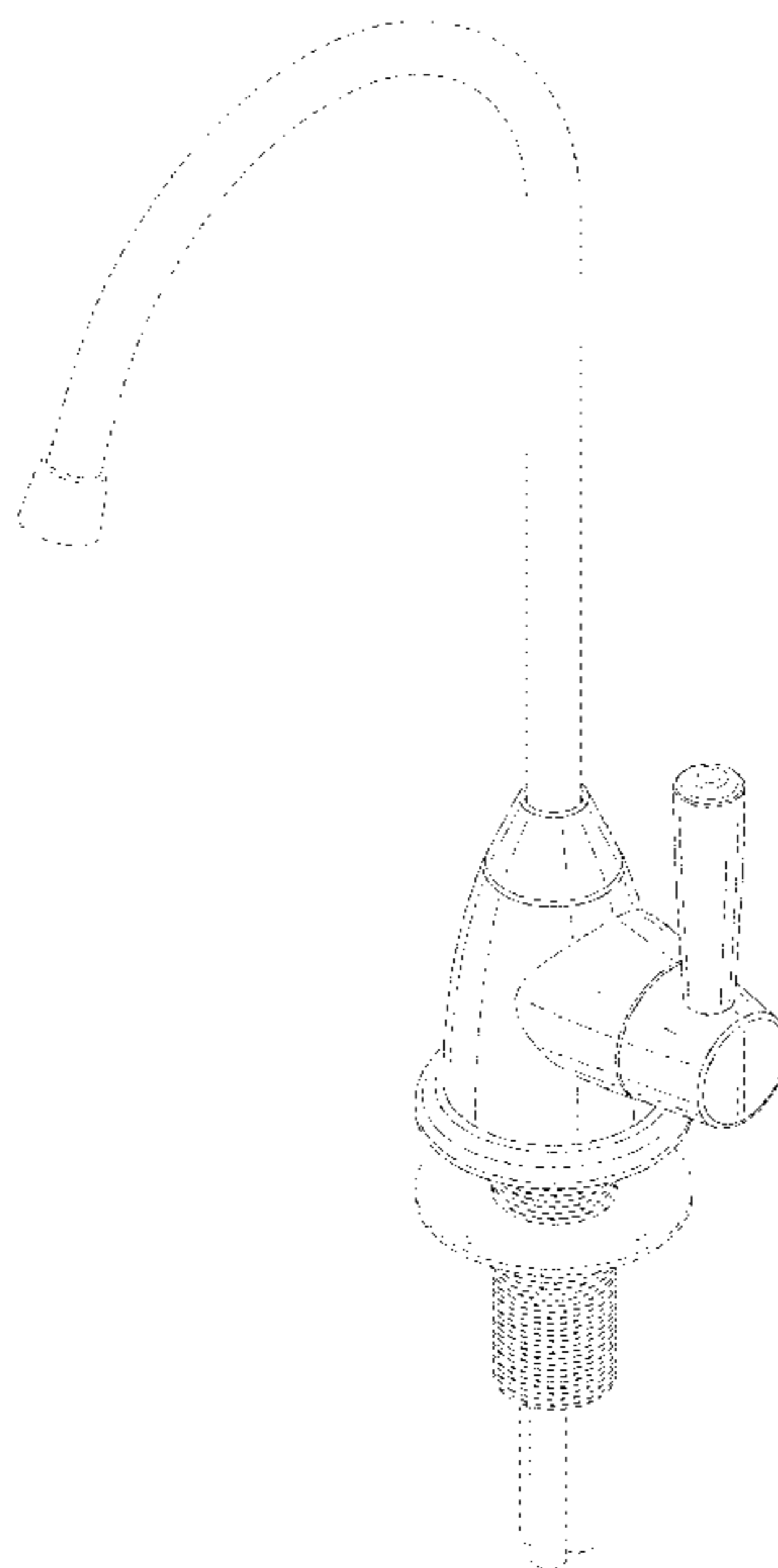
FOREIGN PATENT DOCUMENTS
JP D1158795 11/2002
TW 505464 10/1989

(57) **CLAIM**
The ornamental design for faucets, as shown and described.

DESCRIPTION

FIG. 1 is a front perspective view of my design comprising a faucet;
FIG. 2 is a front orthogonal view thereof;
FIG. 3 is a rear orthogonal view thereof;
FIG. 4 is a side orthogonal view thereof;
FIG. 5 is an opposite side orthogonal view thereof;
FIG. 6 is a top orthogonal view thereof; and,
FIG. 7 is a bottom orthogonal view thereof.
The dashed lines in FIGS. 1-7 represent environmental structure and form no part of the claimed design. Specifically, the environmental structure in FIGS. 1-7 represents an example of a connection portion and an example of a neck and mouth for use with the faucet base.
All other surface(s) or portion(s) of the embodiments of my design not shown in the figures or otherwise described in the specification form no part of the claimed design.

1 Claim, 6 Drawing Sheets



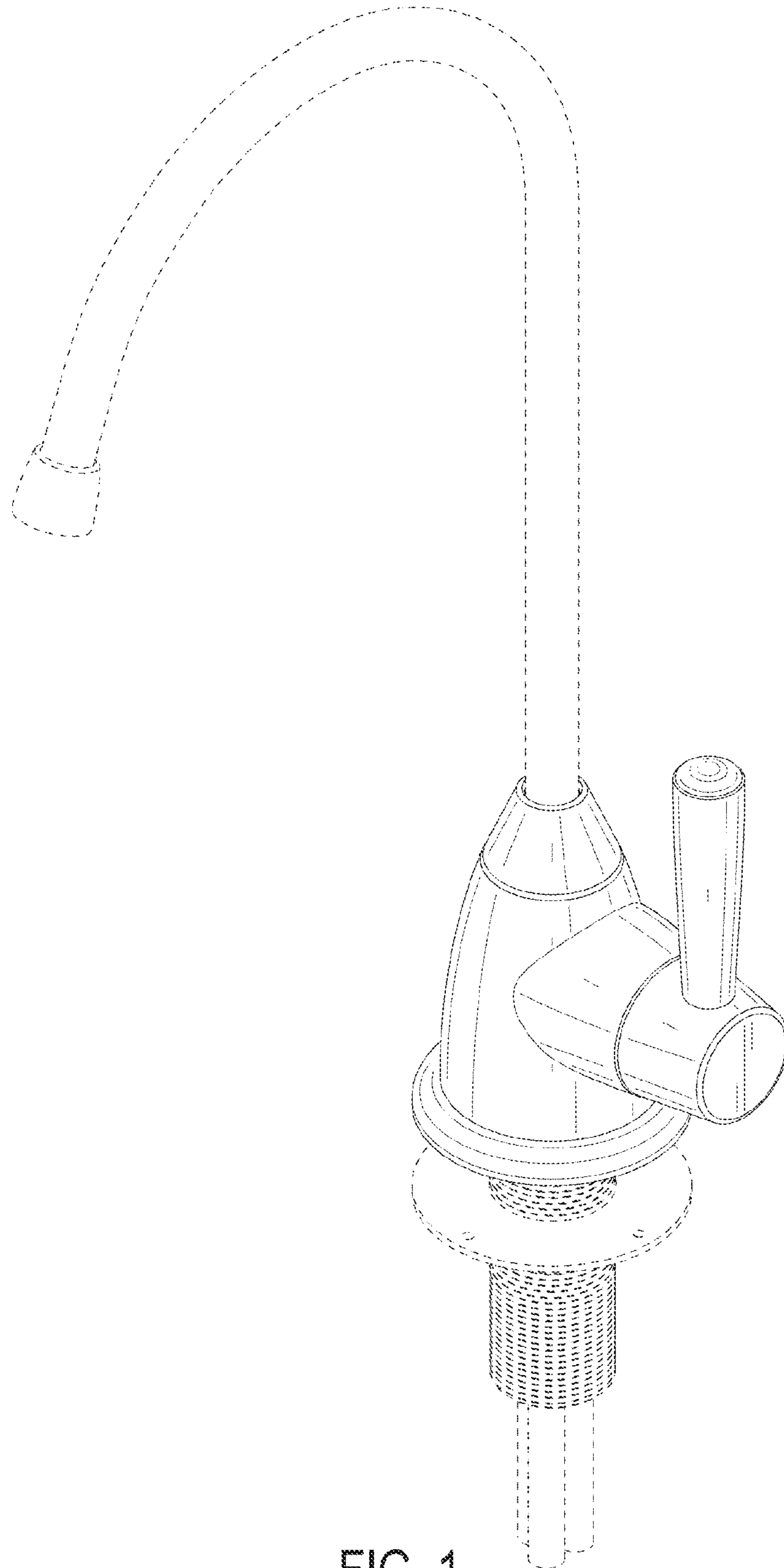


FIG. 1

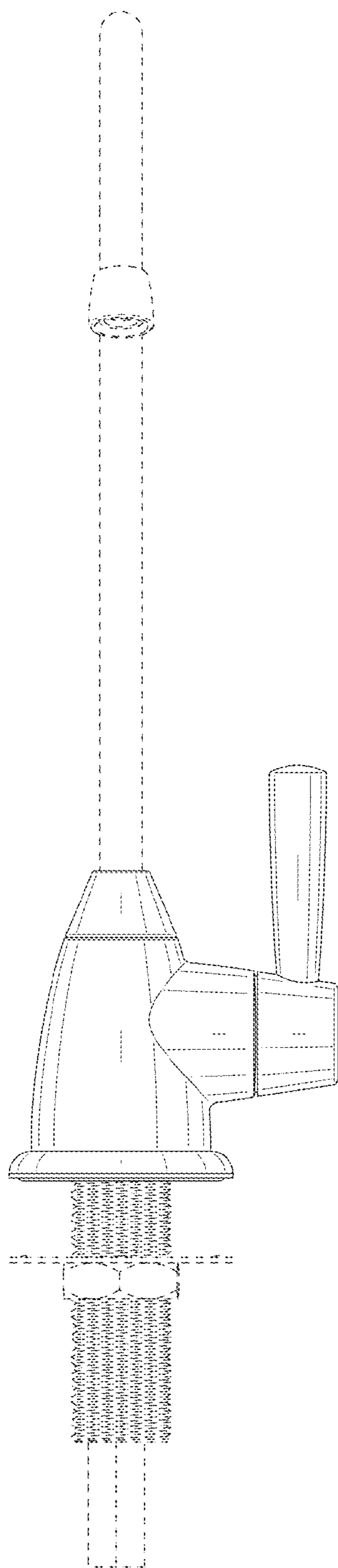


FIG. 2

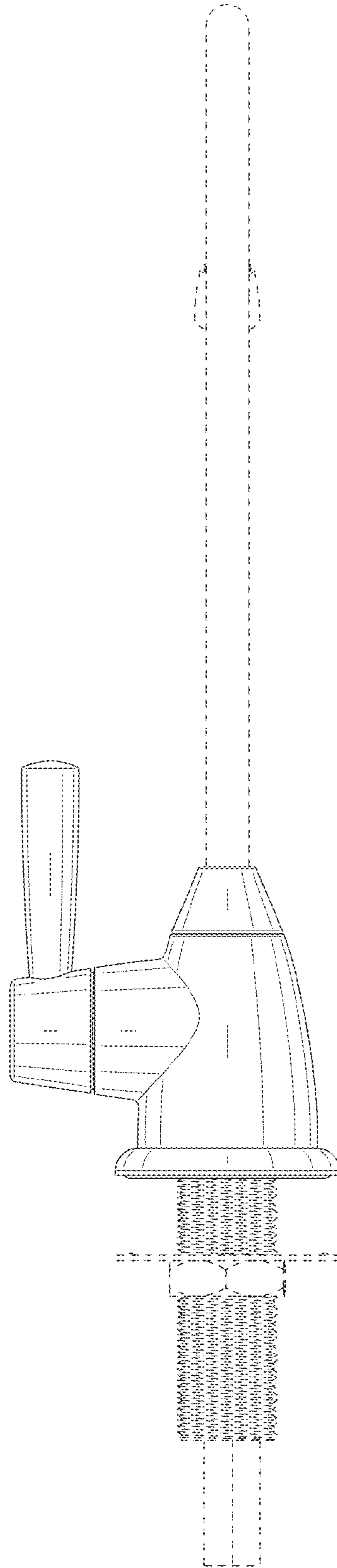


FIG. 3

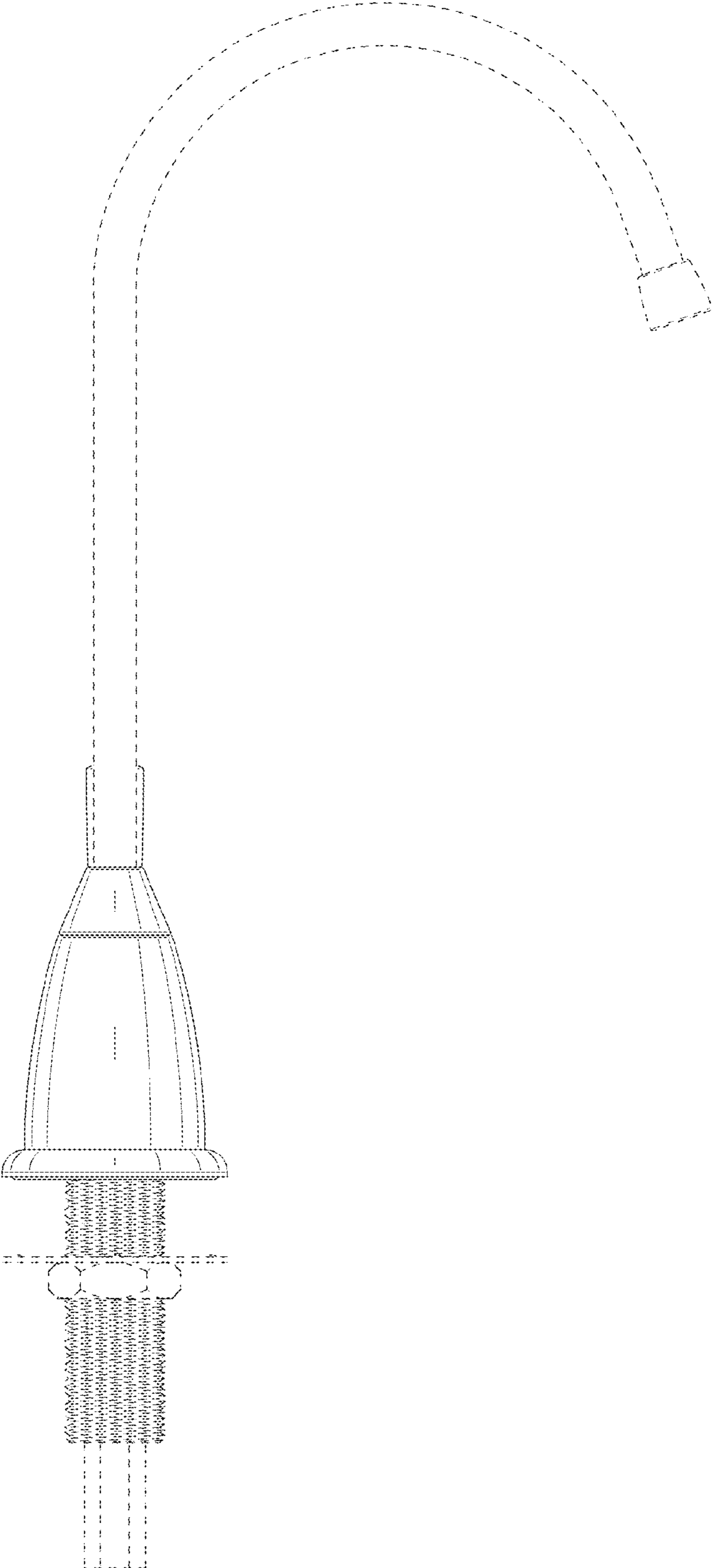


FIG. 4

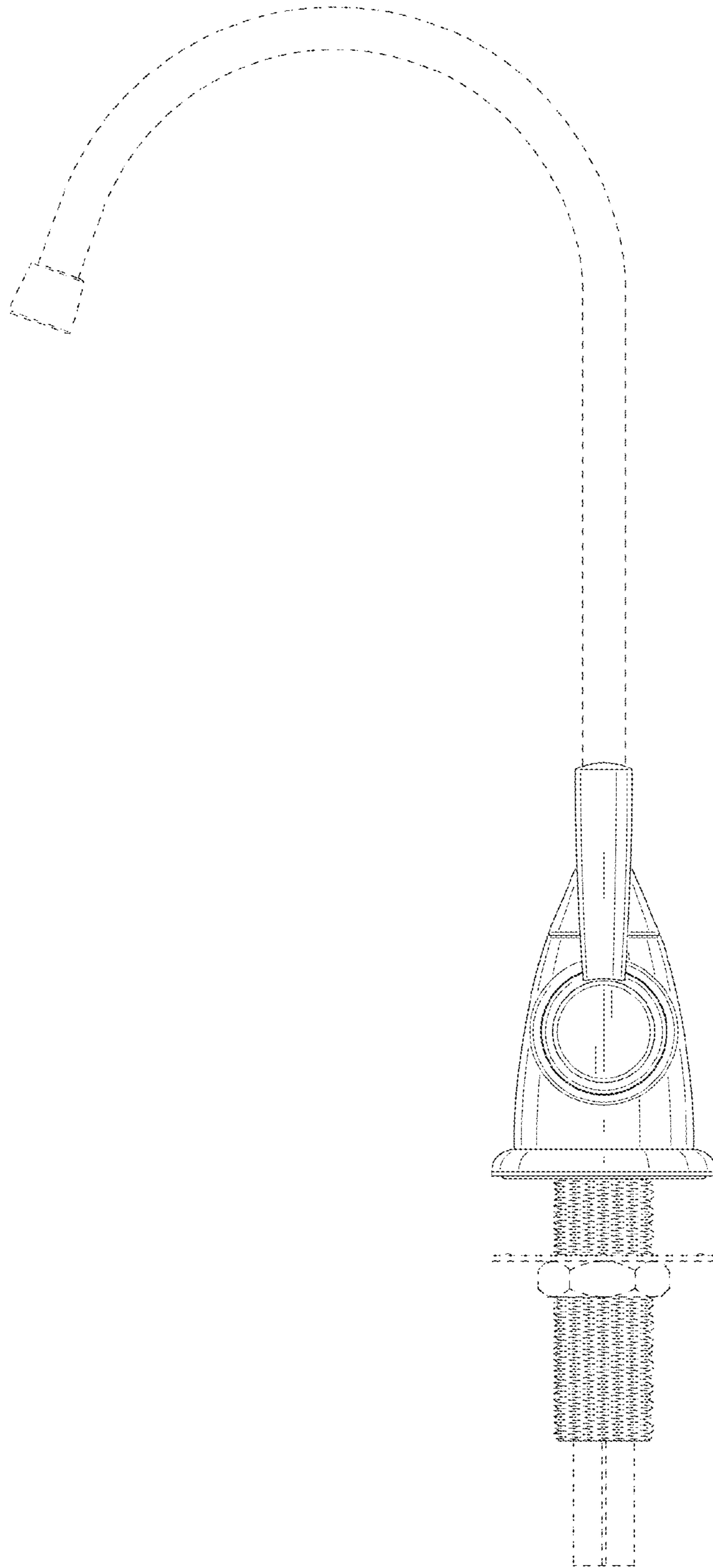


FIG. 5

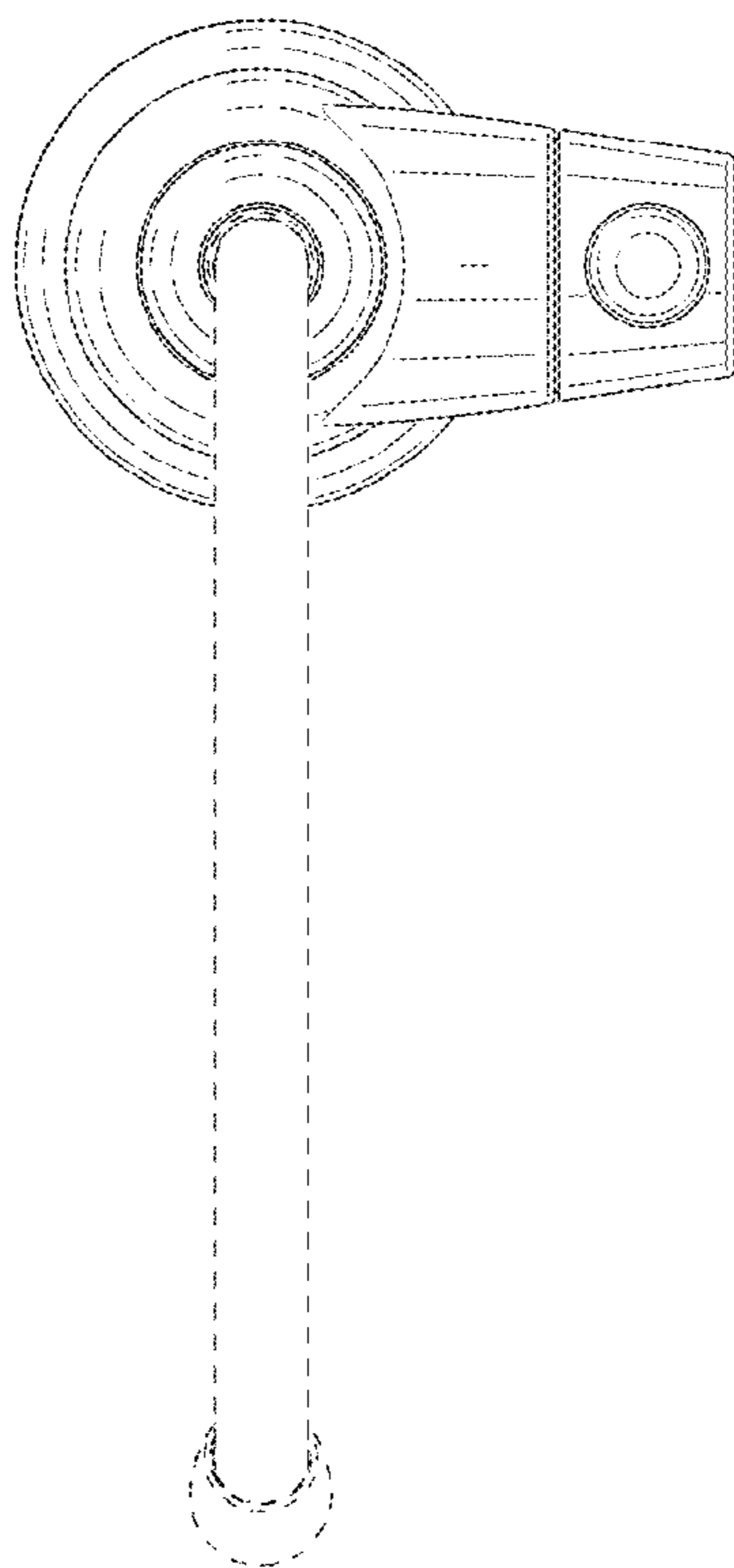


FIG. 6

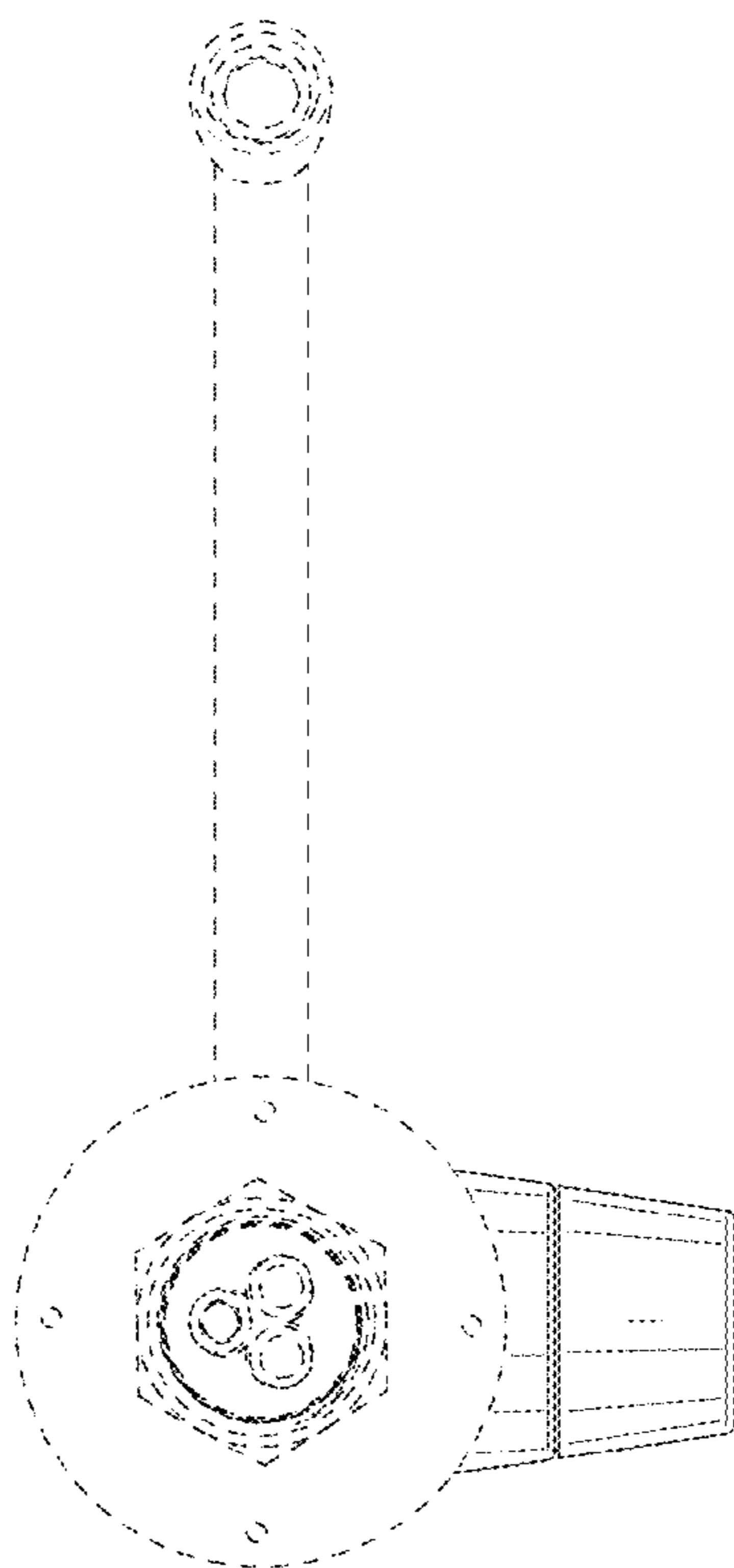


FIG. 7