

US00D706396S

(12) **United States Design Patent**
Opfer et al.

(10) **Patent No.:** **US D706,396 S**
(45) **Date of Patent:** **** Jun. 3, 2014**

(54) **VALVE**
(71) Applicants: **Shawn A. Opfer**, Elizabeth, PA (US);
Jeffrey D. Kerr, Claridge, PA (US)
(72) Inventors: **Shawn A. Opfer**, Elizabeth, PA (US);
Jeffrey D. Kerr, Claridge, PA (US)

D349,325 S * 8/1994 Jones D23/235
D398,955 S * 9/1998 Shimizu D23/235
D452,554 S * 12/2001 McKee et al. D23/233
D460,521 S * 7/2002 Fujita et al. D23/233
D495,031 S * 8/2004 Taylor D23/233
D694,370 S * 11/2013 Wilcox D23/245
2008/0164432 A1 * 7/2008 Matsch 251/85

* cited by examiner

(**) Term: **14 Years**

Primary Examiner — Cynthia Ramirez

(21) Appl. No.: **29/451,730**

(74) *Attorney, Agent, or Firm* — Cohen & Grigsby, P.C.

(22) Filed: **Apr. 8, 2013**

(57) **CLAIM**

(51) **LOC (10) Cl.** **23-01**

The ornamental design for a valve, as shown and described.

(52) **U.S. Cl.**

USPC **D23/233**

DESCRIPTION

(58) **Field of Classification Search**

USPC D23/233–237, 244–249; 137/542, 398,
137/545, 547, 549; 251/62, 63.5, 129.01,
251/129.1, 129.16–129.18, 205, 208, 215,
251/309–312

See application file for complete search history.

FIG. 1 is a top perspective view of the valve embodying our new design as claimed herein.

FIG. 2 is a front view of the valve shown in FIG. 1.

FIG. 3 is a back view of the valve shown in FIG. 1.

FIG. 4 is a right side view of the valve shown in FIG. 1.

FIG. 5 is a left side view of the valve shown in FIG. 1.

FIG. 6 is a top view of the valve shown in FIG. 1; and,

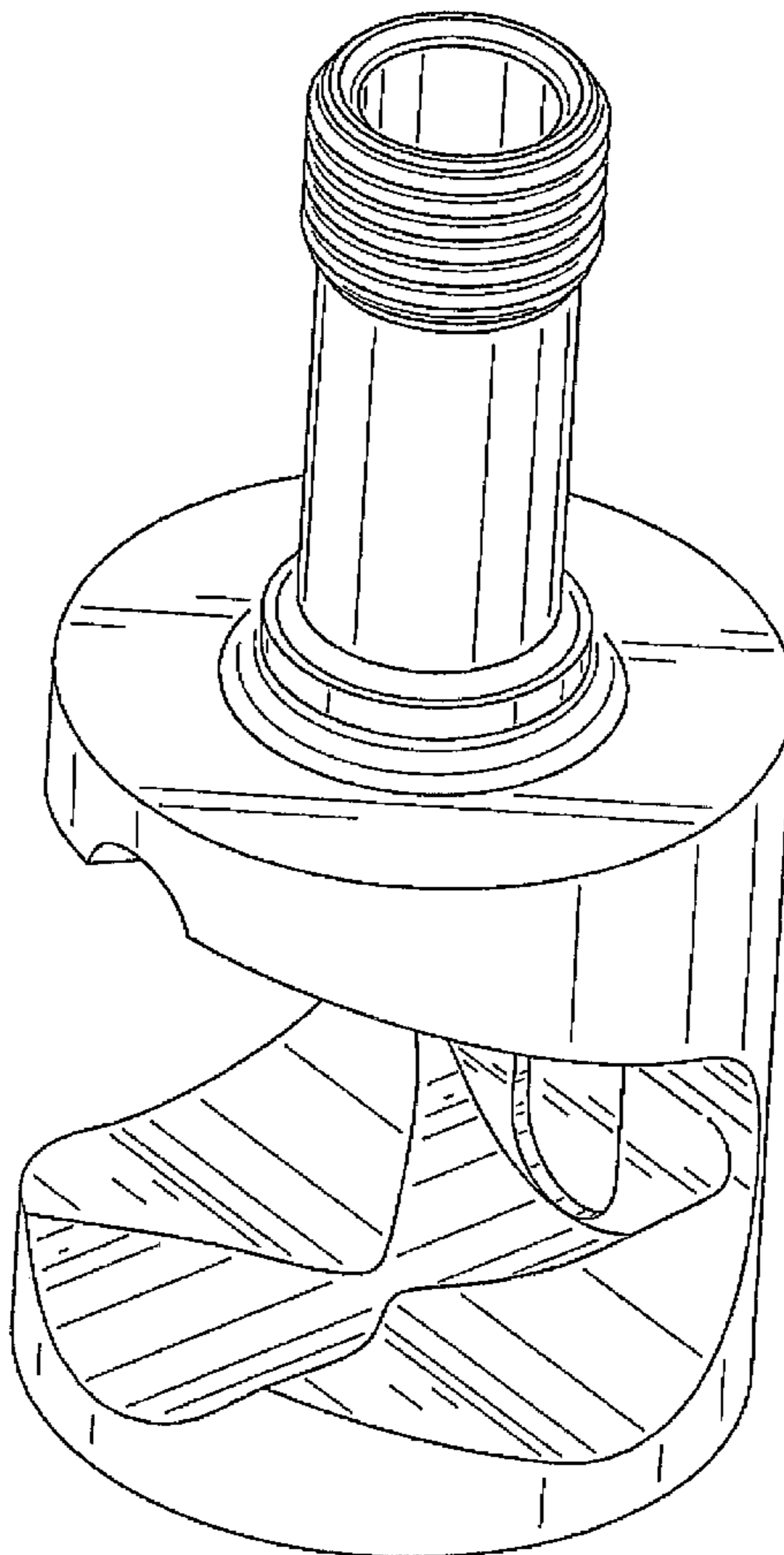
FIG. 7 is a bottom view of the valve shown in FIG. 1.

(56) **References Cited**

U.S. PATENT DOCUMENTS

D296,922 S * 7/1988 Kemp D23/244

1 Claim, 7 Drawing Sheets



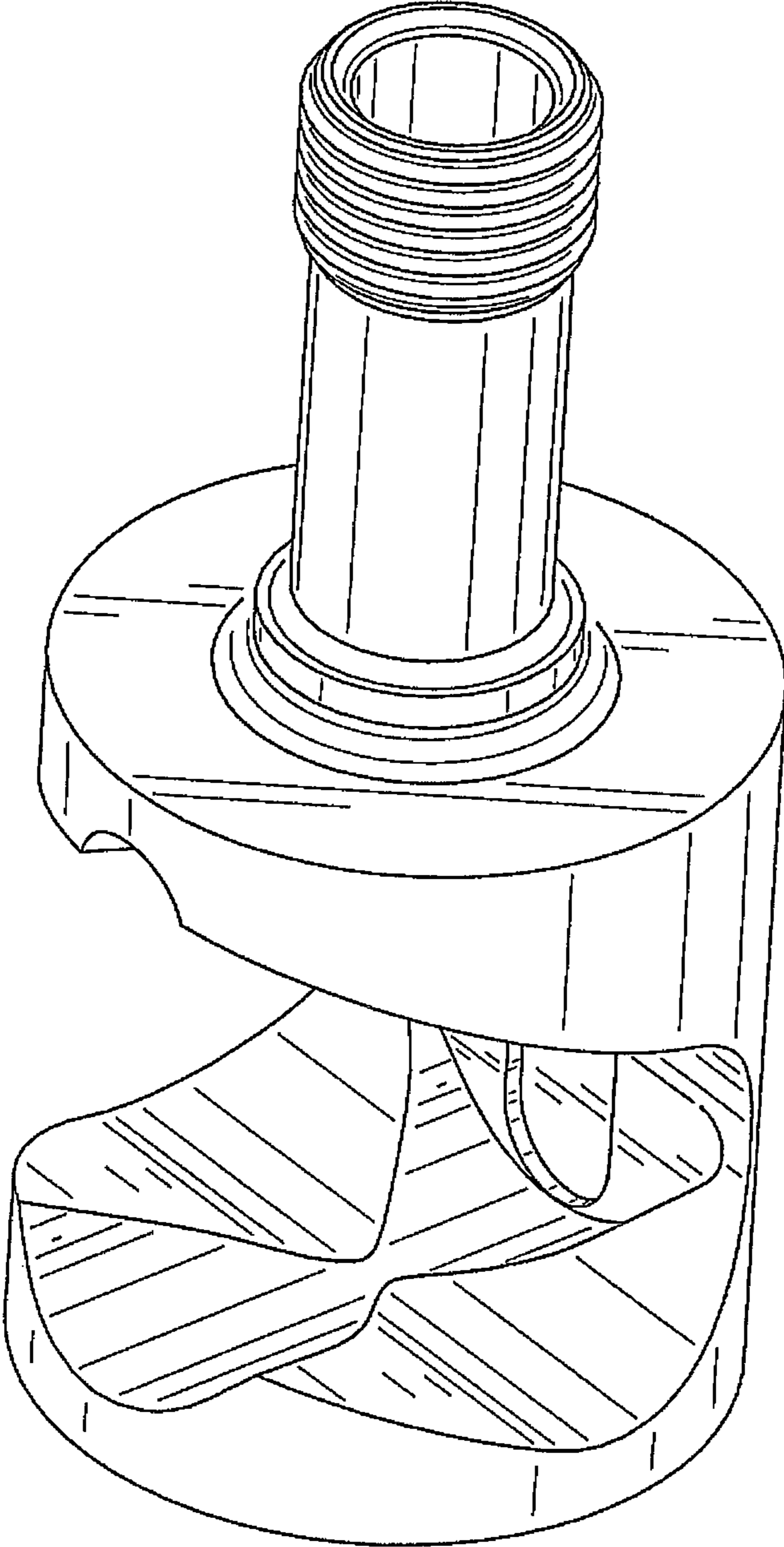


FIG. 1

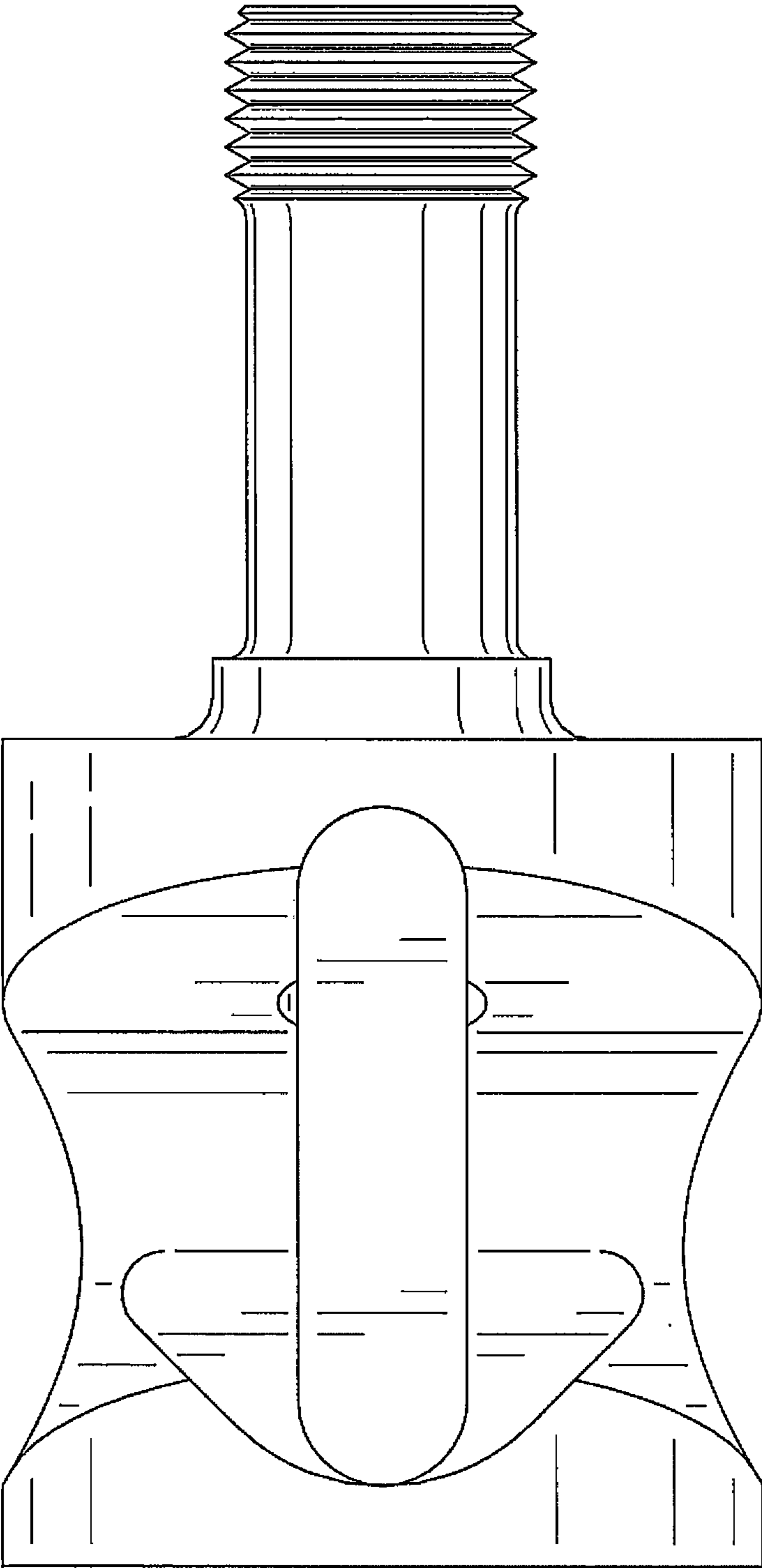


FIG. 2

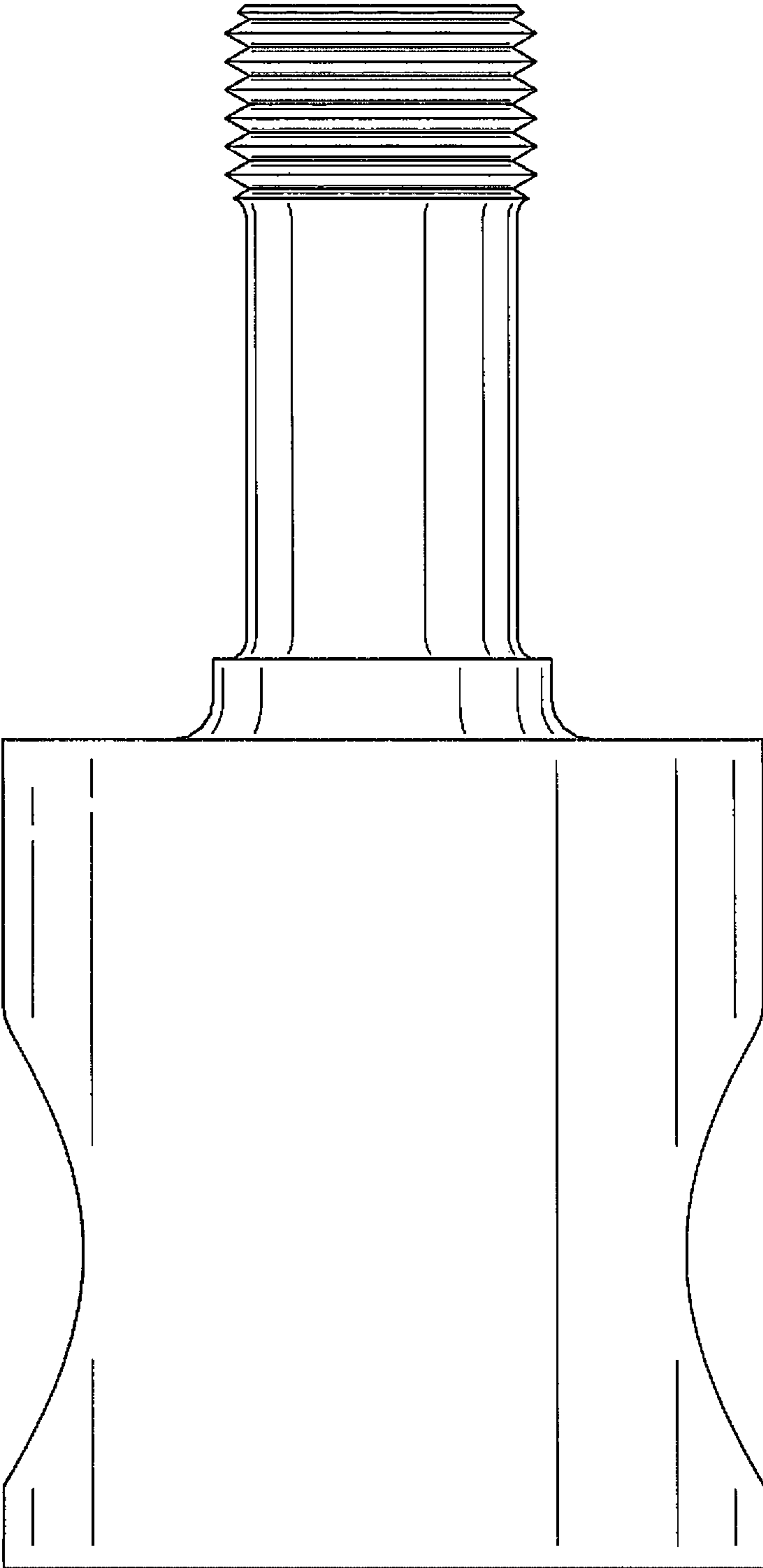


FIG. 3

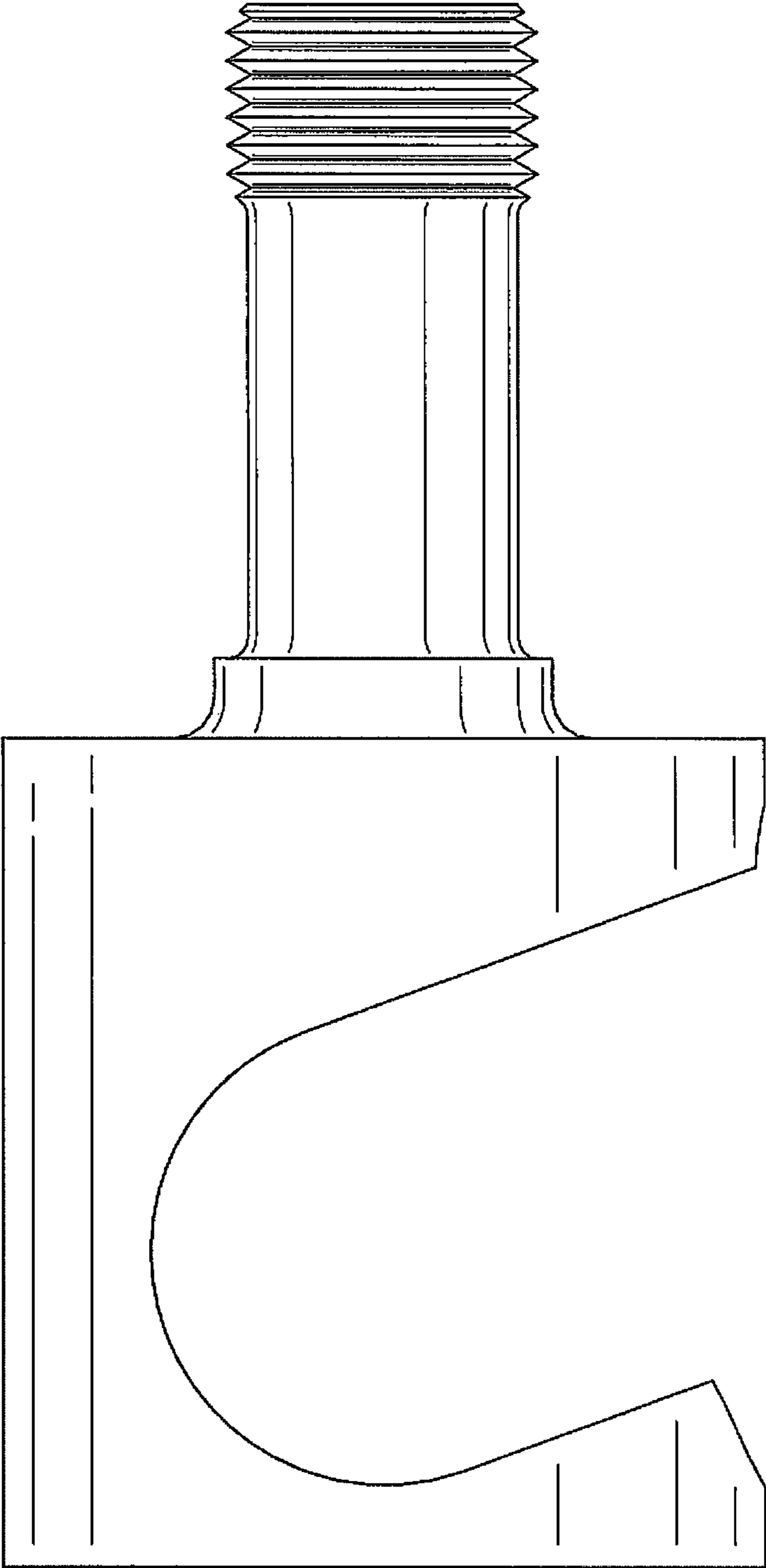


FIG. 4

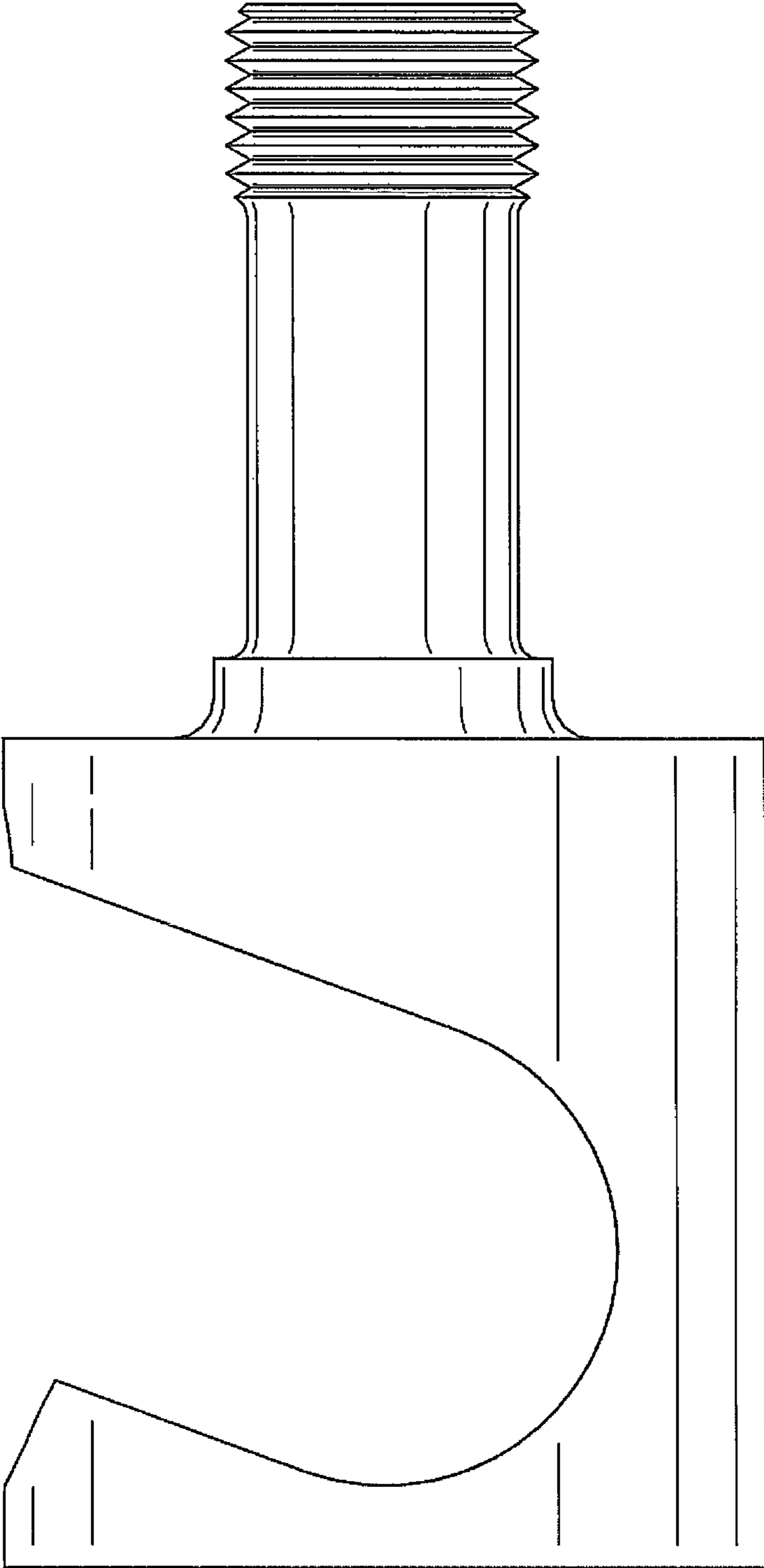


FIG. 5

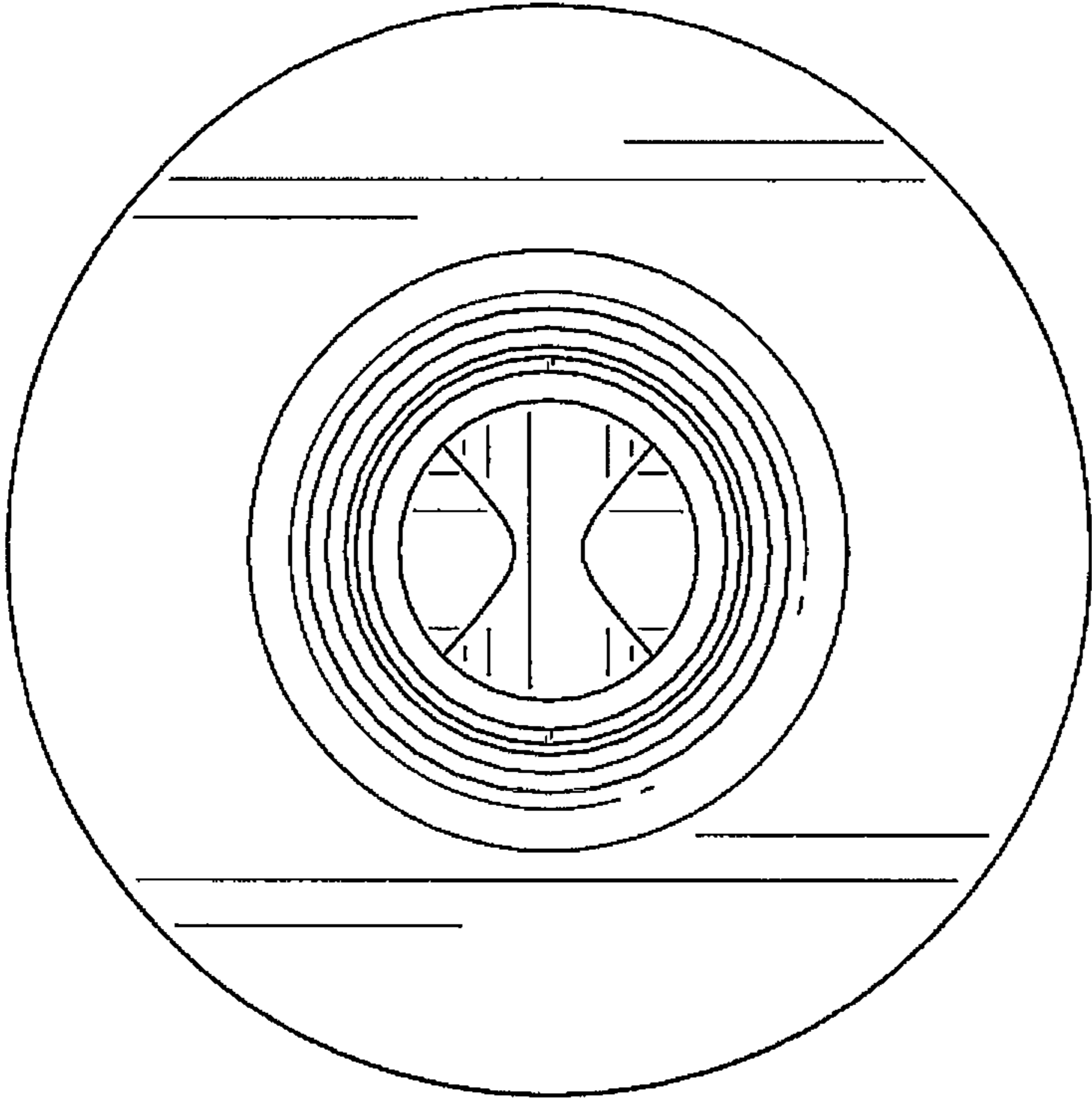


FIG. 6

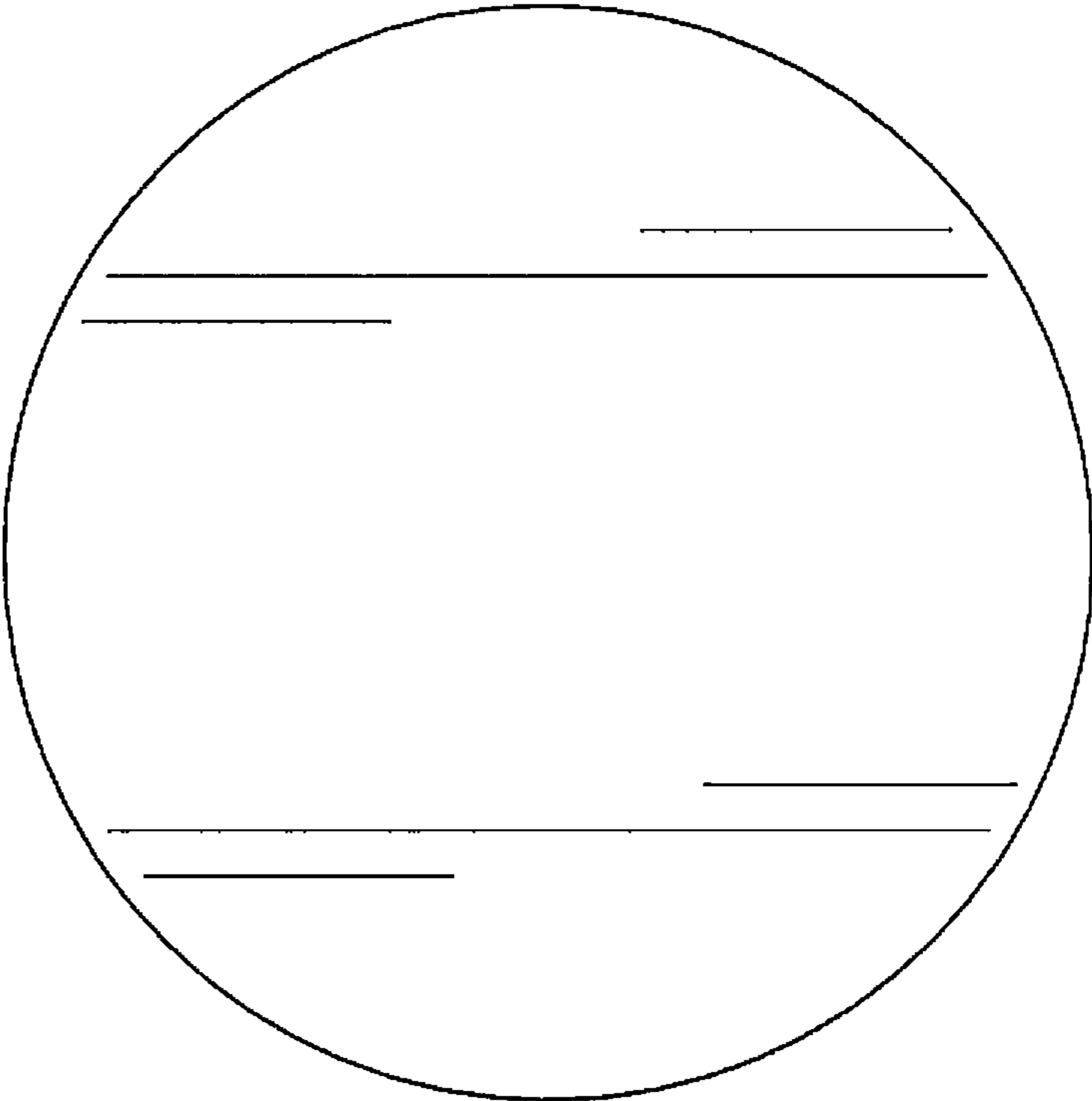


FIG. 7