



US00D706394S

(12) **United States Design Patent**  
**Evans, Jr. et al.**

(10) **Patent No.:** **US D706,394 S**  
(45) **Date of Patent:** **\*\* Jun. 3, 2014**

(54) **COMBINED BALANCING SCALE AND KNOB FOR A BALANCING VALVE**

(71) Applicant: **Fluid Handling LLC**, Morton Grove, IL (US)

(72) Inventors: **Stanley Paul Evans, Jr.**, Tinley Park, IL (US); **Florin Rosca**, Niles, IL (US); **Glenn Edward Huse**, Green Oaks, IL (US); **Donald Arthur Kahn**, Niles, IL (US)

(73) Assignee: **Fluid Handling LLC.**, Morton Grove, IL (US)

(\*\*) Term: **14 Years**

(21) Appl. No.: **29/437,085**

(22) Filed: **Nov. 13, 2012**

(51) **LOC (10) Cl.** ..... **23-01**

(52) **U.S. Cl.**  
USPC ..... **D23/233**

(58) **Field of Classification Search**  
USPC ..... D23/233-237, 244-249; 251/62, 63, 251/63.5, 129.01, 129.1, 129.16-129.18, 251/205, 208, 215, 309-310, 312, 904, 209, 251/285, 297, 284; 137/398, 545, 547, 549, 137/556.3, 553, 556.6, 625.65, 625.25  
See application file for complete search history.

(56) **References Cited**

**U.S. PATENT DOCUMENTS**

2,997,054	A *	8/1961	Woodford	137/218
3,460,800	A	8/1969	Mikuls	
3,658,450	A	4/1972	Woodling	
4,901,978	A	2/1990	Feild	
4,989,829	A	2/1991	Bickel	
4,991,622	A *	2/1991	Brewer et al.	137/512
5,301,713	A	4/1994	Skoglund	
5,393,035	A	2/1995	Steele	

5,400,819	A	3/1995	Lemmens	
5,632,303	A *	5/1997	Almasy et al.	137/360
D416,076	S *	11/1999	Okitsu	D23/235
6,343,619	B1	2/2002	Pruitt	
6,540,205	B1	4/2003	Stafford	
7,337,795	B2	3/2008	Johnson et al.	
D601,661	S *	10/2009	Foster	D23/233
D607,538	S *	1/2010	Nun	D23/233
D622,351	S *	8/2010	Foster	D23/233
7,861,741	B2	1/2011	Kress	
D667,082	S *	9/2012	Fukushima	D23/235
D677,363	S *	3/2013	Norlander et al.	D23/233
D678,476	S *	3/2013	Shumway	D23/235

(Continued)

**FOREIGN PATENT DOCUMENTS**

WO 02086365 10/2002

**OTHER PUBLICATIONS**

B&G's Model Published on Jan. 25, 2009.

*Primary Examiner* — Cynthia Ramirez

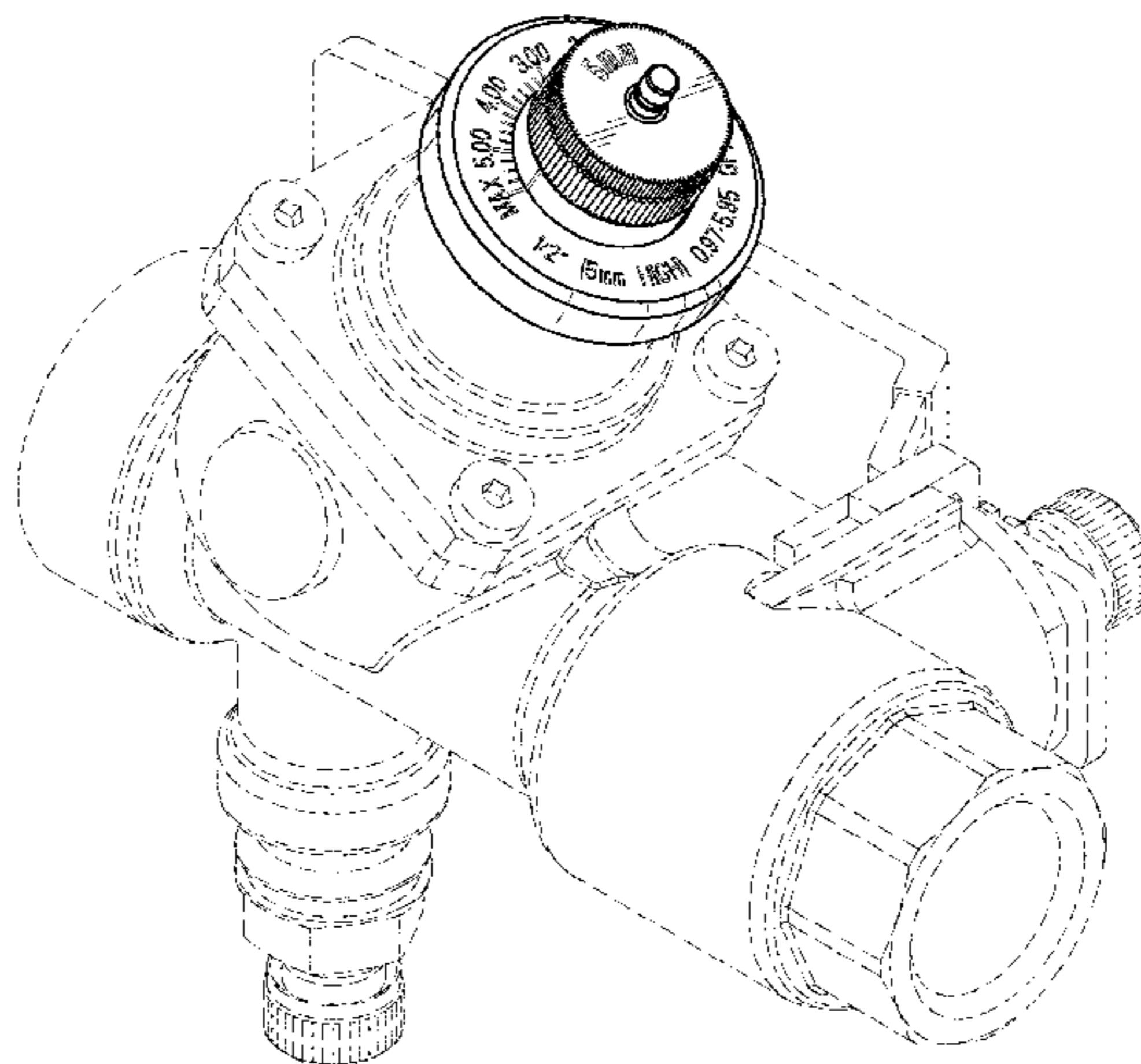
(57) **CLAIM**

The ornamental design for a combined balancing scale and knob for a balancing valve, as shown and described.

**DESCRIPTION**

FIG. 1 is a top front perspective view of a combined balancing scale and knob for a balancing valve according to our claimed design;  
FIG. 2 is a top back perspective view thereof;  
FIG. 3 is a side view thereof;  
FIG. 4 is a side view thereof;  
FIG. 5 is a front view thereof;  
FIG. 6 is a back view thereof; and,  
FIG. 7 is a top plan view thereof.  
The broken lines in the drawings are included for the purpose of environment and form no part of the claimed design.

**1 Claim, 6 Drawing Sheets**



(56)

**References Cited**

U.S. PATENT DOCUMENTS

2005/0127317 A1 6/2005 Rebello

2006/0243330 A1 11/2006 Abanto  
2007/0012367 A1 1/2007 Hotz et al.  
2010/0307219 A1 12/2010 Fackler et al.

\* cited by examiner

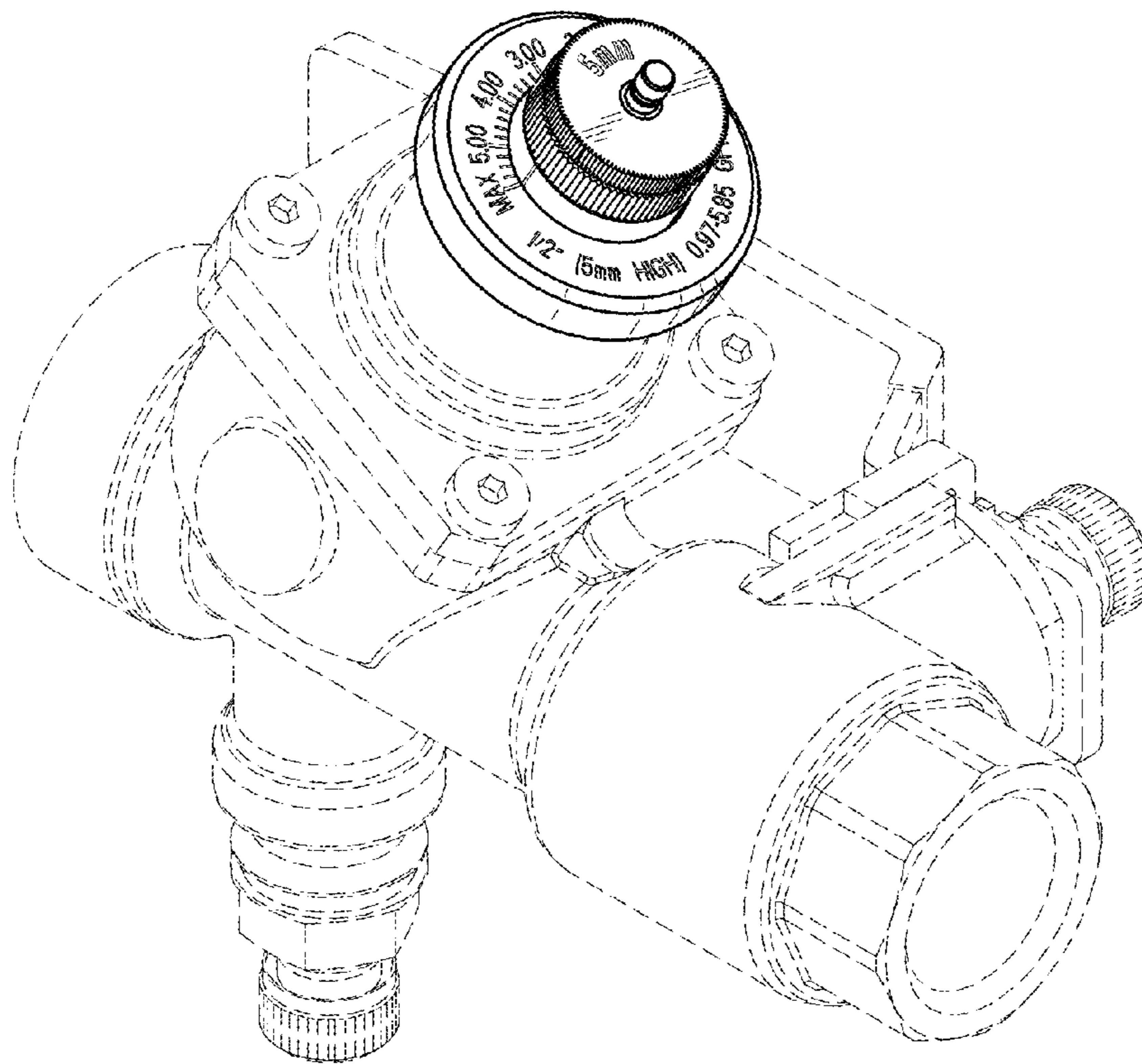


FIG. 1

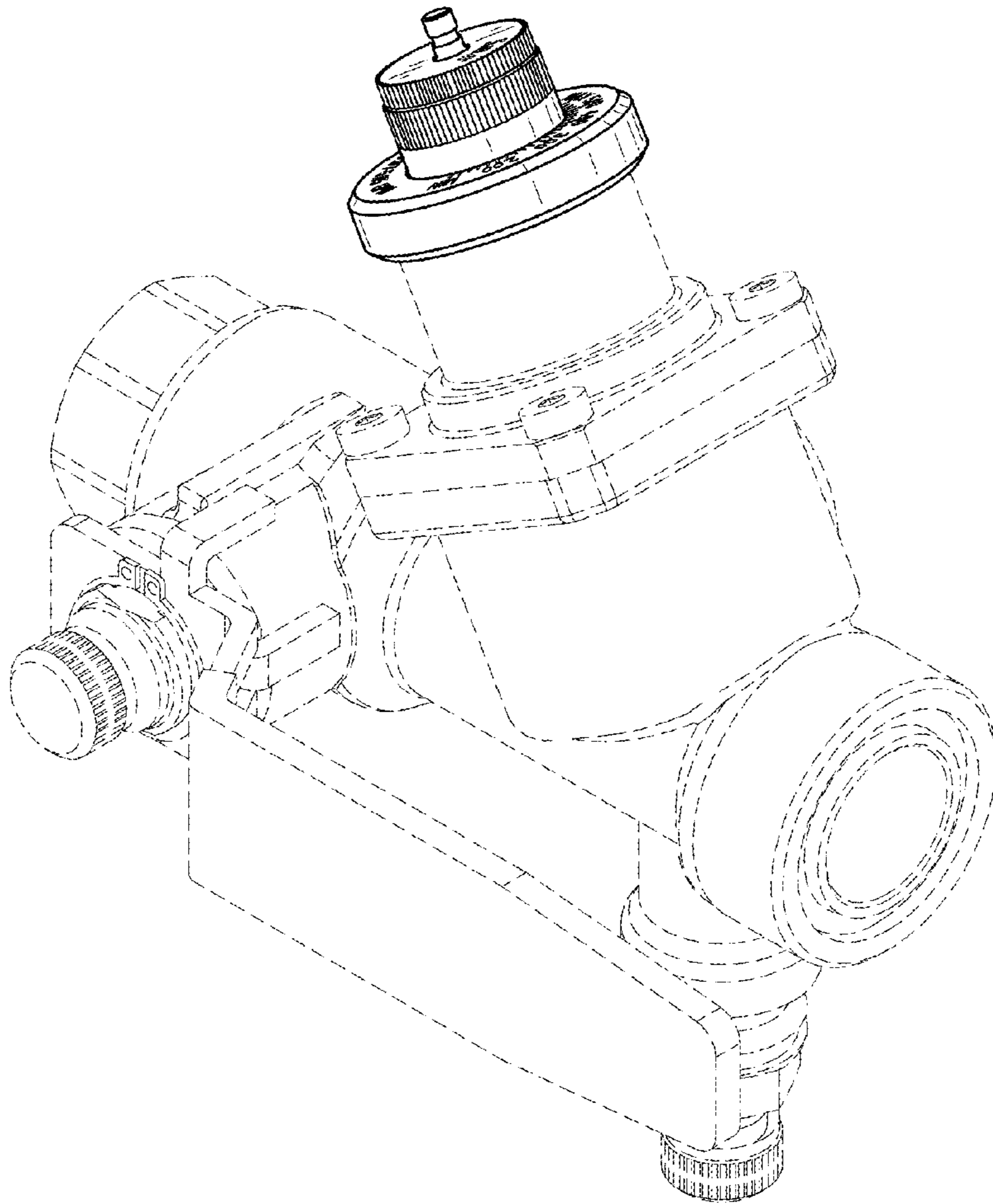
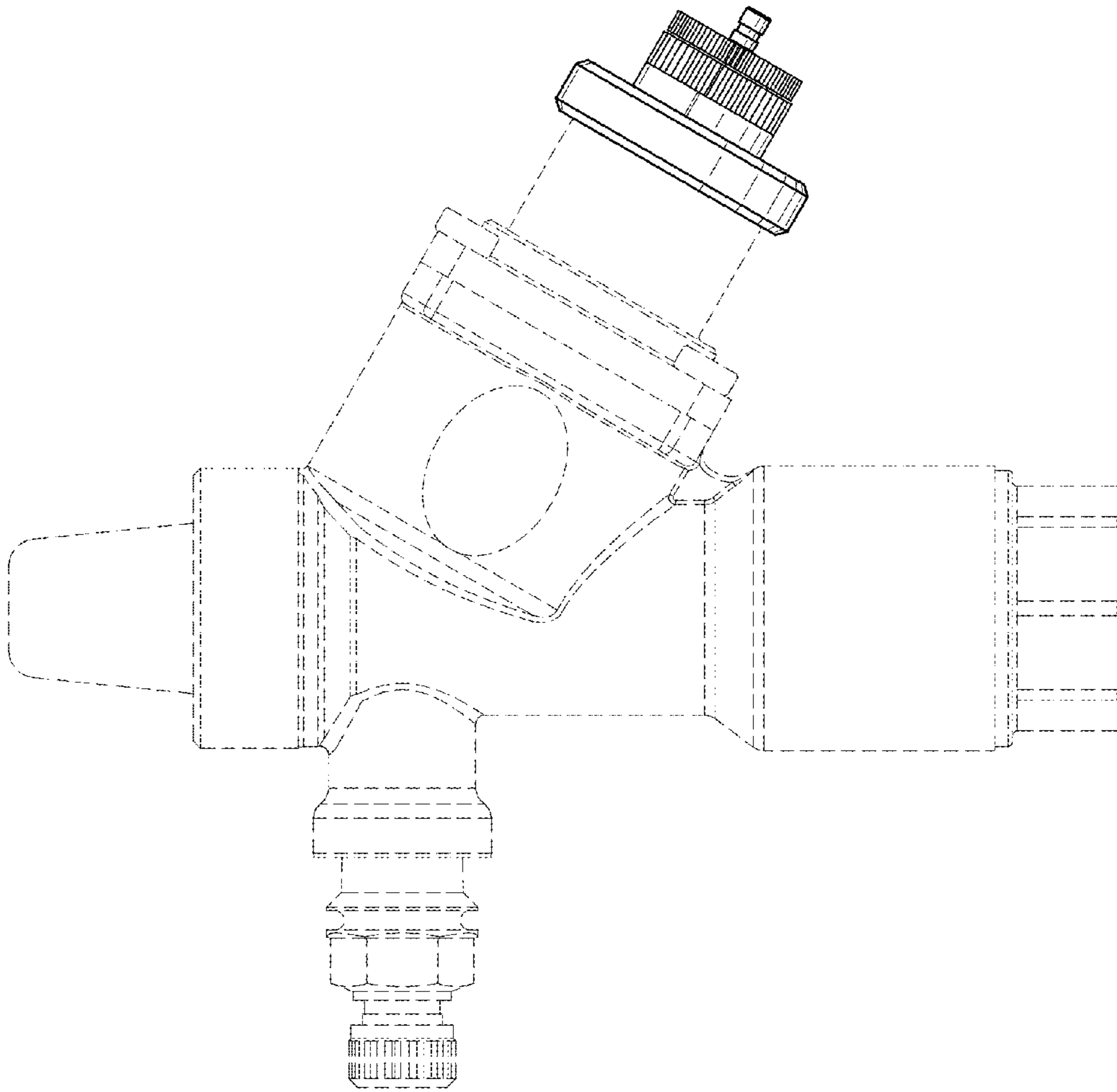


FIG. 2



*FIG. 3*

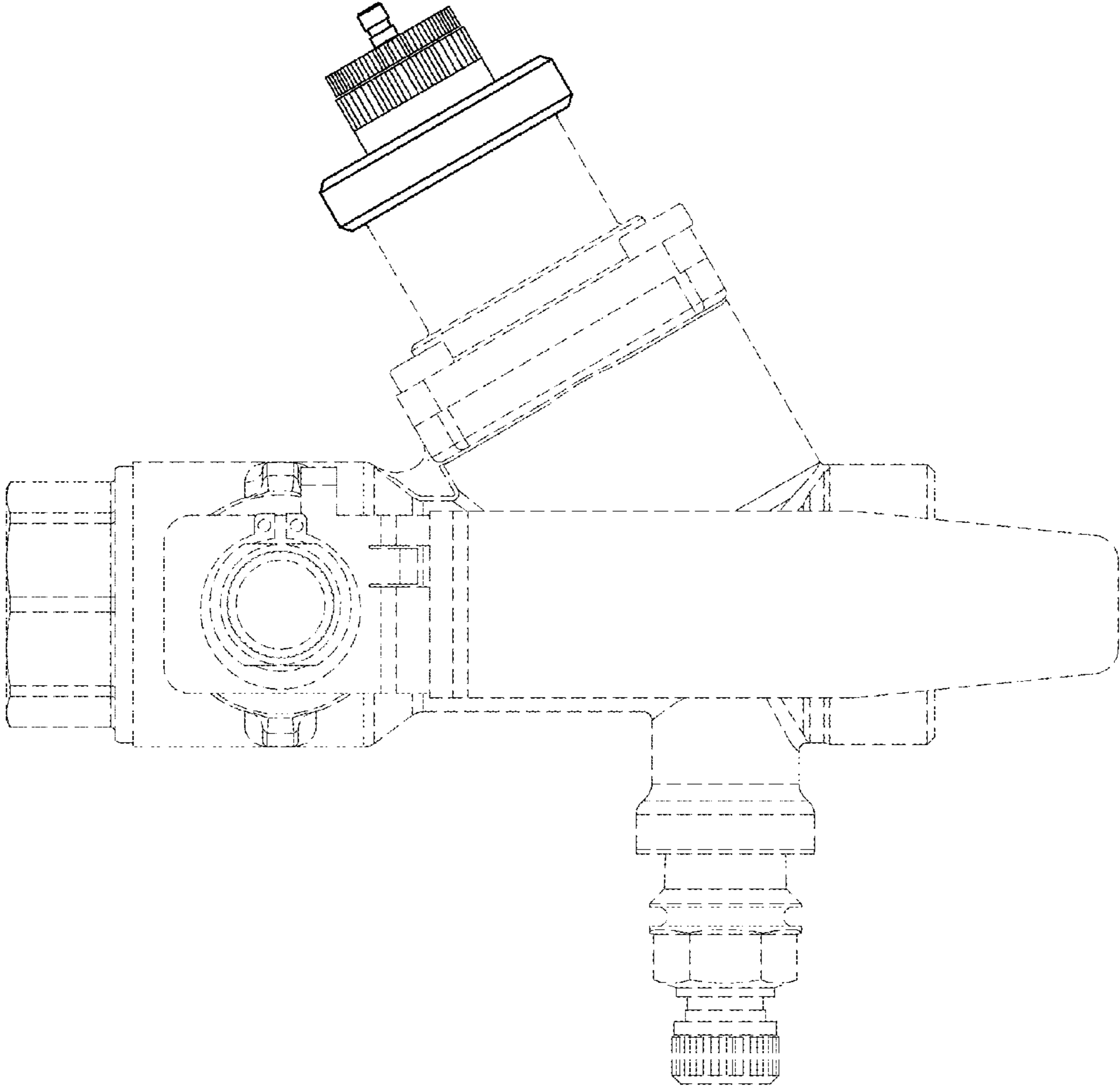


FIG. 4

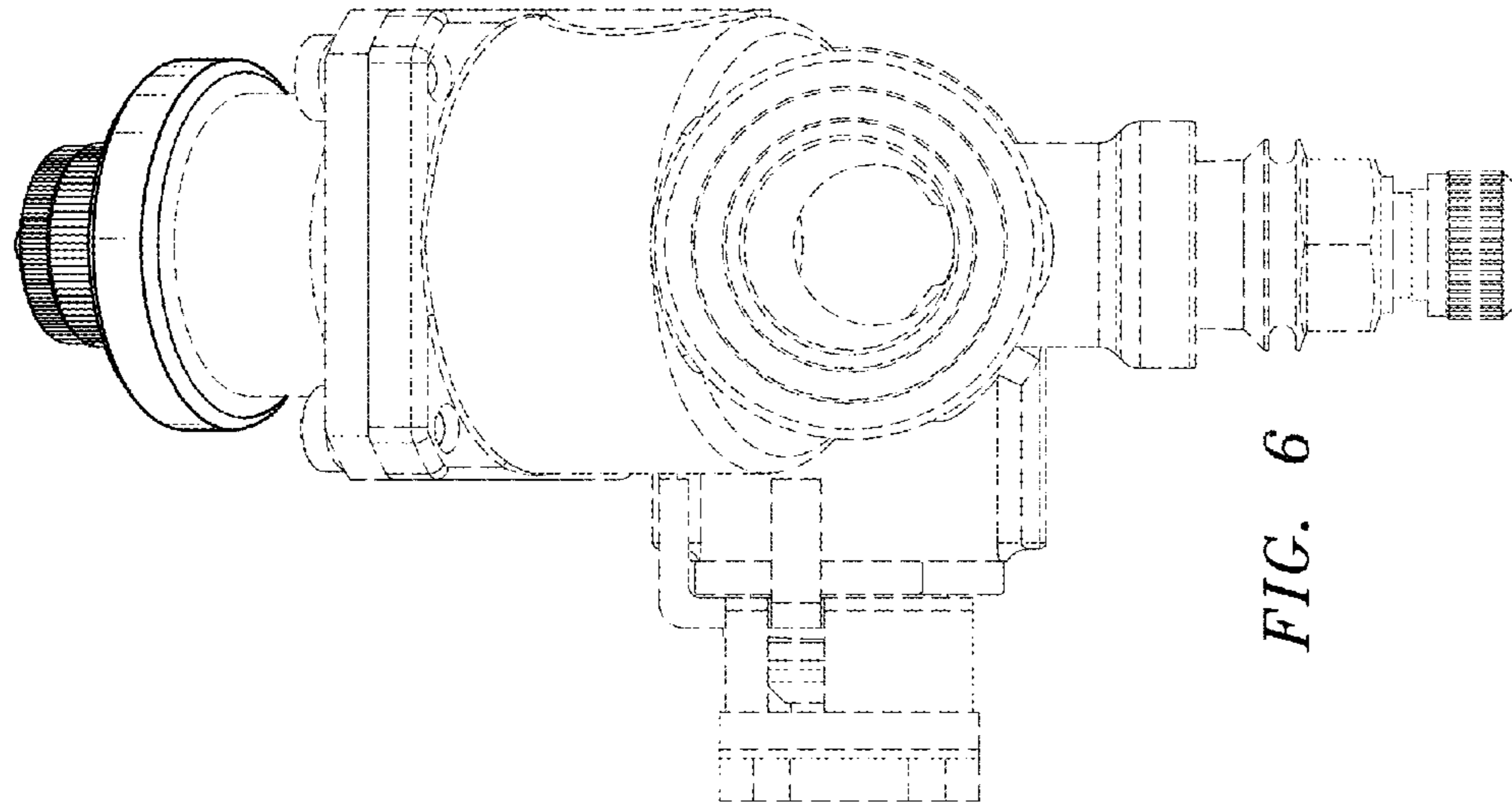


FIG. 6

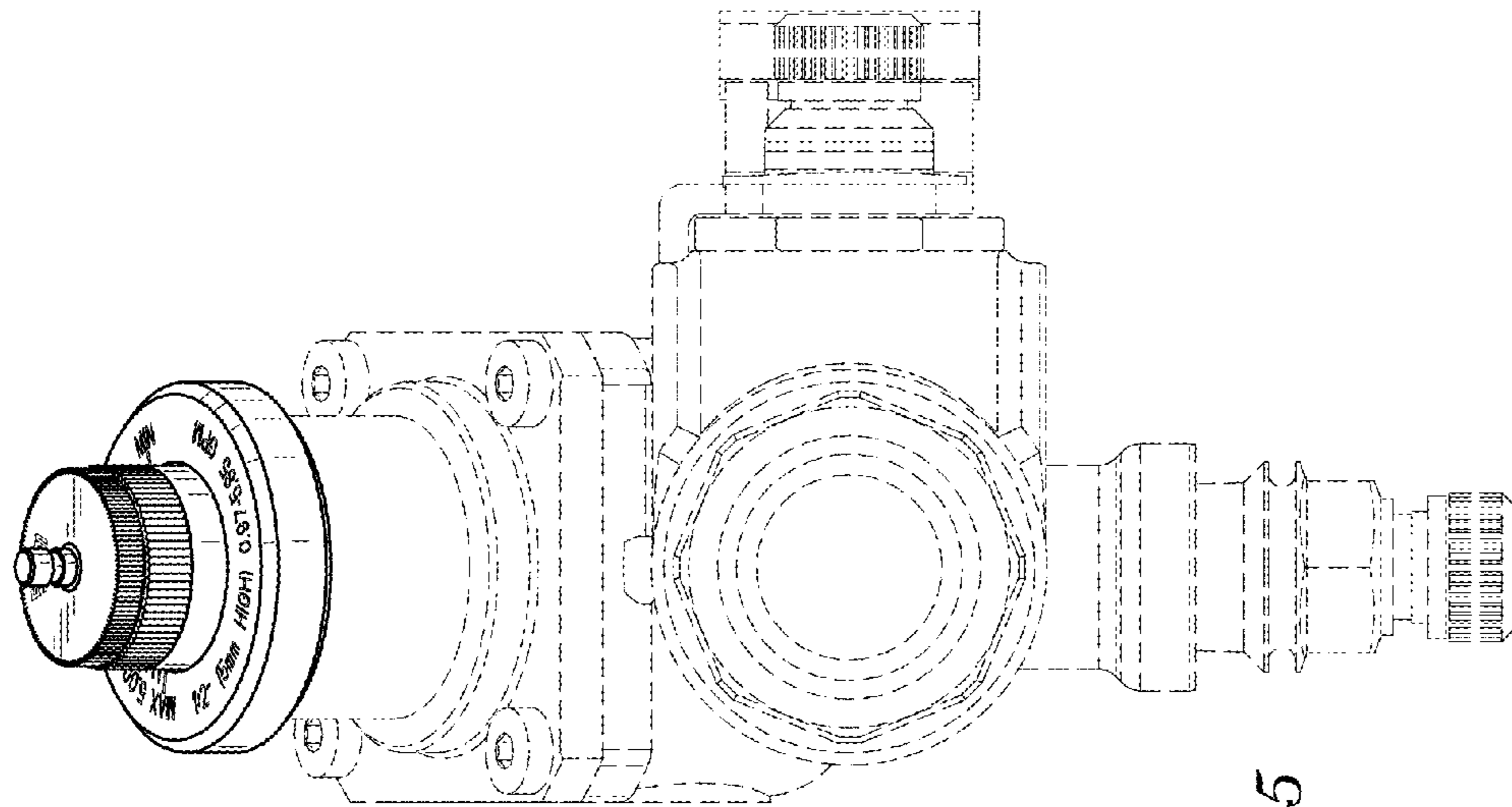


FIG. 5

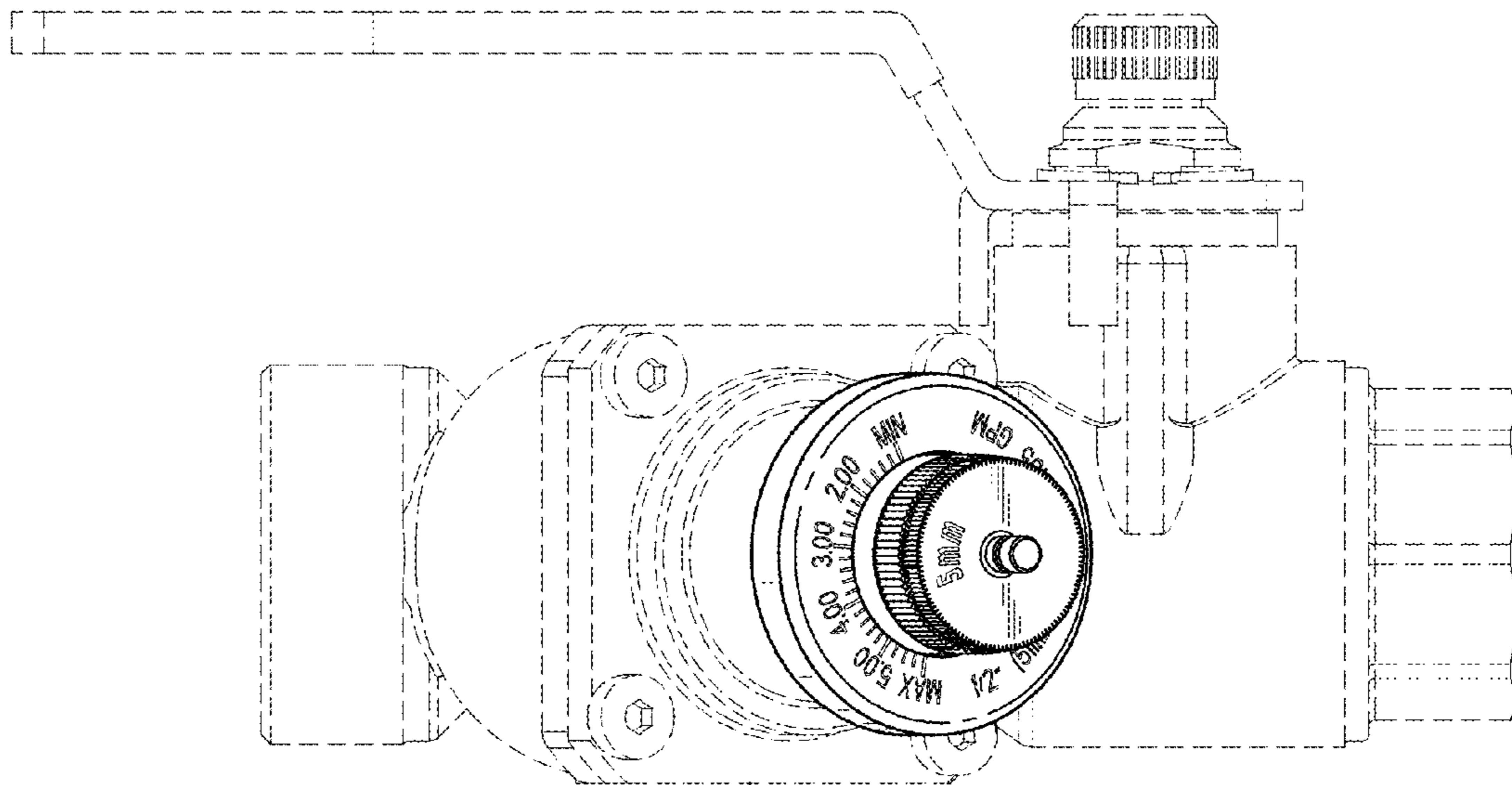


FIG. 7