



US00D706393S

(12) **United States Design Patent**
Kaneko

(10) **Patent No.:** **US D706,393 S**

(45) **Date of Patent:** **** *Jun. 3, 2014**

(54) **EXPANSION VALVE**

(75) Inventor: **Takeshi Kaneko**, Tokyo (JP)

(73) Assignee: **TGK Co., Ltd.**, Tokyo (JP)

(*) Notice: This patent is subject to a terminal disclaimer.

(**) Term: **14 Years**

(21) Appl. No.: **29/426,792**

(22) Filed: **Jul. 10, 2012**

(30) **Foreign Application Priority Data**

Jan. 12, 2012 (EM) 001974692-0001

(51) **LOC (10) Cl.** **23-01**

(52) **U.S. Cl.**
USPC **D23/233**

(58) **Field of Classification Search**
USPC D23/233-237, 244-249; 62/222-225,
62/197, 115, 504, 527, 210; 137/625.48;
251/14, 64; 236/63, 64, 66, 92 B;
285/189, 208, 211, 368
See application file for complete search history.

(56) **References Cited**

U.S. PATENT DOCUMENTS

4,468,054 A * 8/1984 Orth 285/124.3
D415,564 S 10/1999 Sendo et al. D23/325
6,354,509 B1 3/2002 Fukuda et al. 236/92

D546,921 S * 7/2007 Kobayashi et al. D23/233
D589,118 S 3/2009 Watanabe D23/233
D602,560 S * 10/2009 Shimura et al. D23/233
D611,123 S * 3/2010 Matsumoto D23/233
D621,475 S * 8/2010 Matsumoto D23/233
D648,000 S * 11/2011 Shimura et al. D23/233
D648,419 S * 11/2011 Shimura et al. D23/233
D649,222 S * 11/2011 Kobayashi et al. D23/233

FOREIGN PATENT DOCUMENTS

JP 1092026 11/2000

* cited by examiner

Primary Examiner — Cynthia Ramirez

(74) *Attorney, Agent, or Firm* — Martine Penilla Group, LLP

(57) **CLAIM**

The ornamental design for an expansion valve, as shown and described.

DESCRIPTION

FIG. 1 is a front view of an expansion valve showing our new design;
FIG. 2 is a rear view thereof;
FIG. 3 is a top view thereof;
FIG. 4 is a bottom view thereof;
FIG. 5 is a right side view thereof;
FIG. 6 is a left side view thereof;
FIG. 7 is a front perspective view thereof; and,
FIG. 8 is a rear perspective view thereof.
The broken lines are for the purpose of illustrating portions of the expansion valve and form no part of the claimed design.

1 Claim, 8 Drawing Sheets

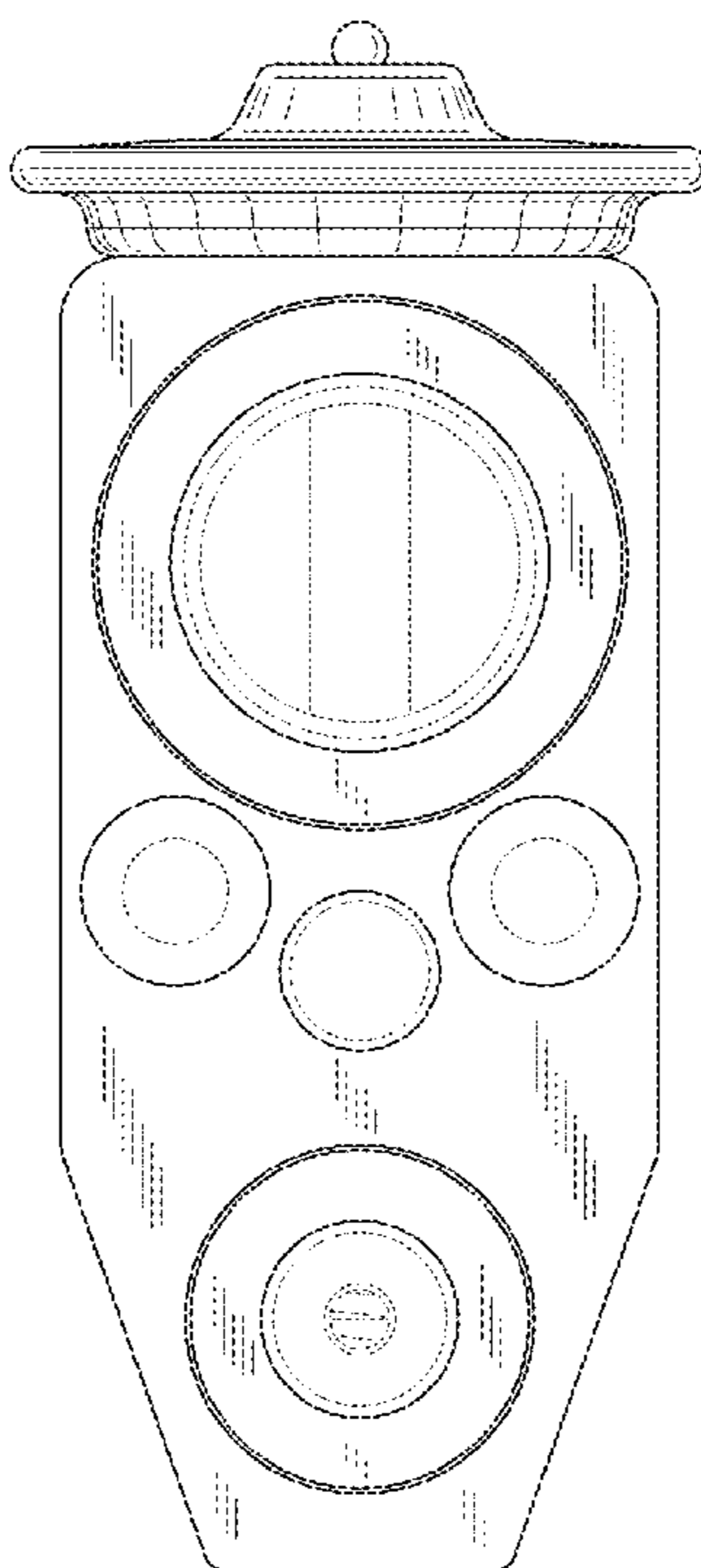


FIG. 1

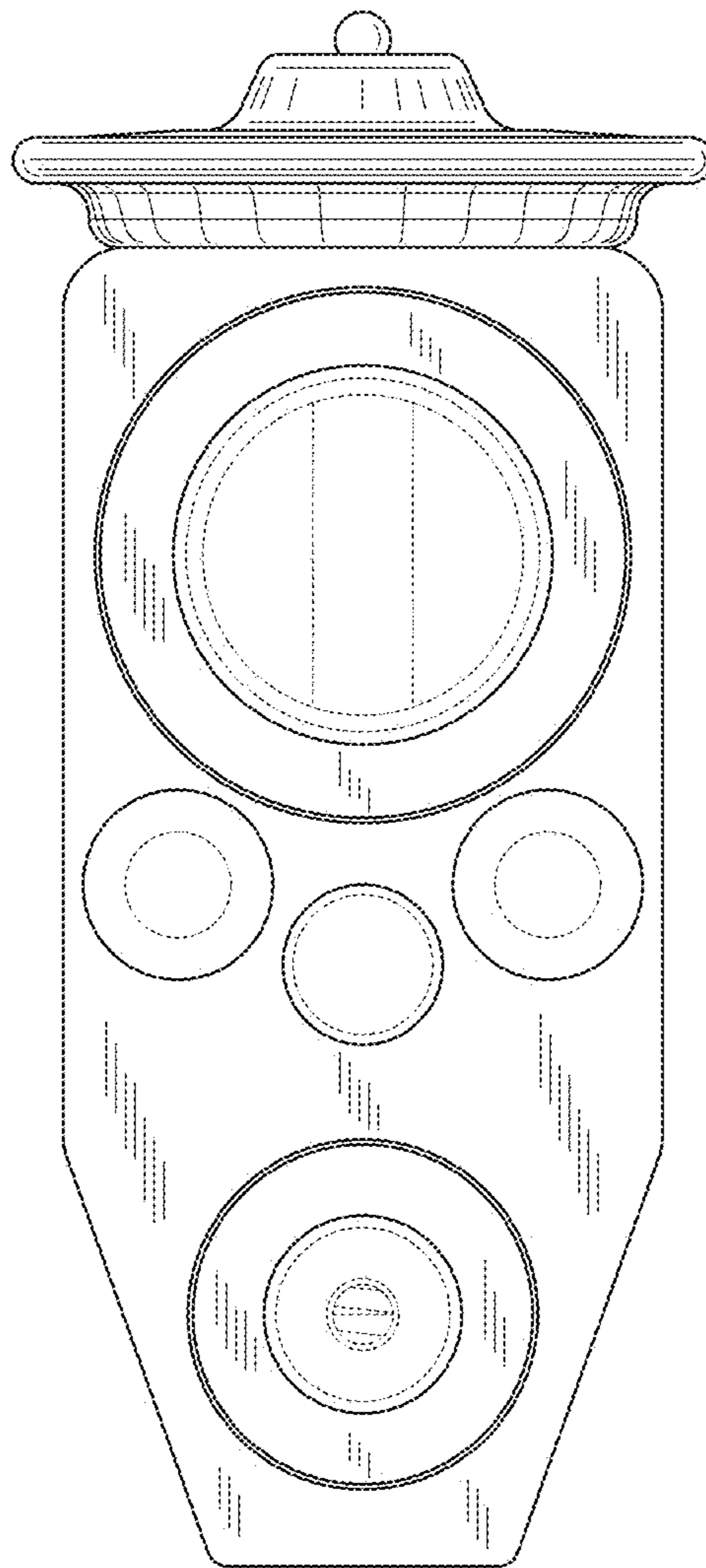


FIG. 2

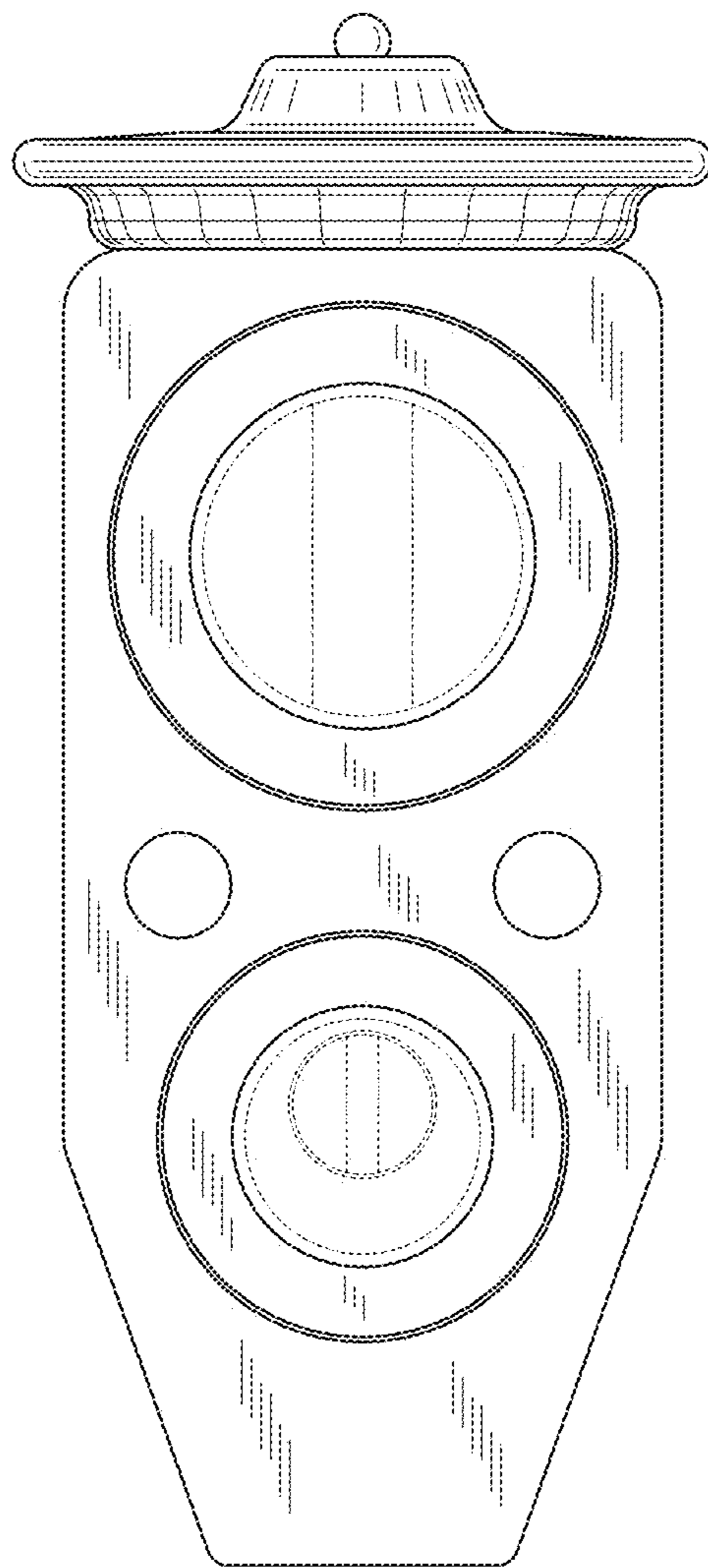


FIG. 3

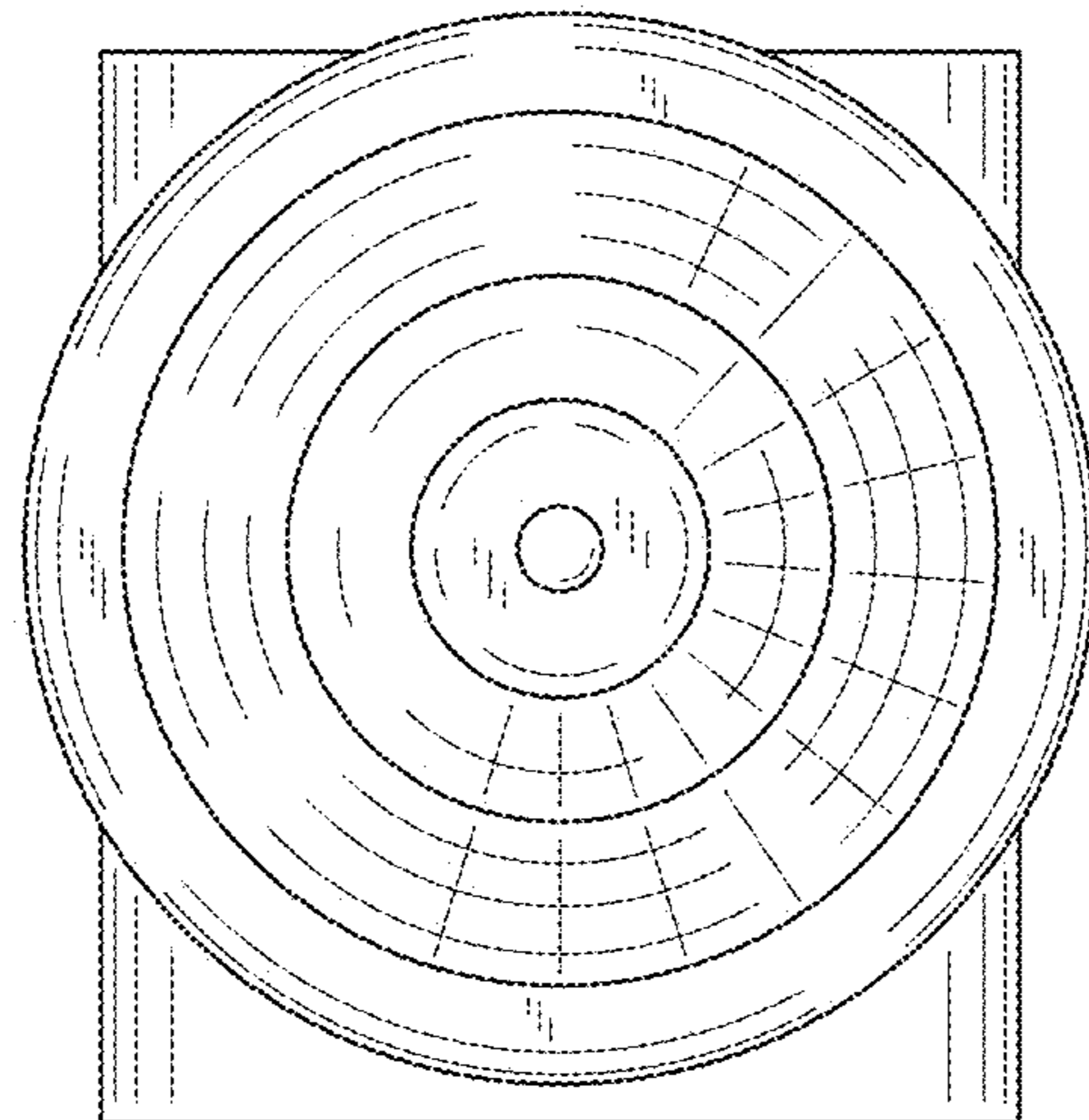


FIG. 4

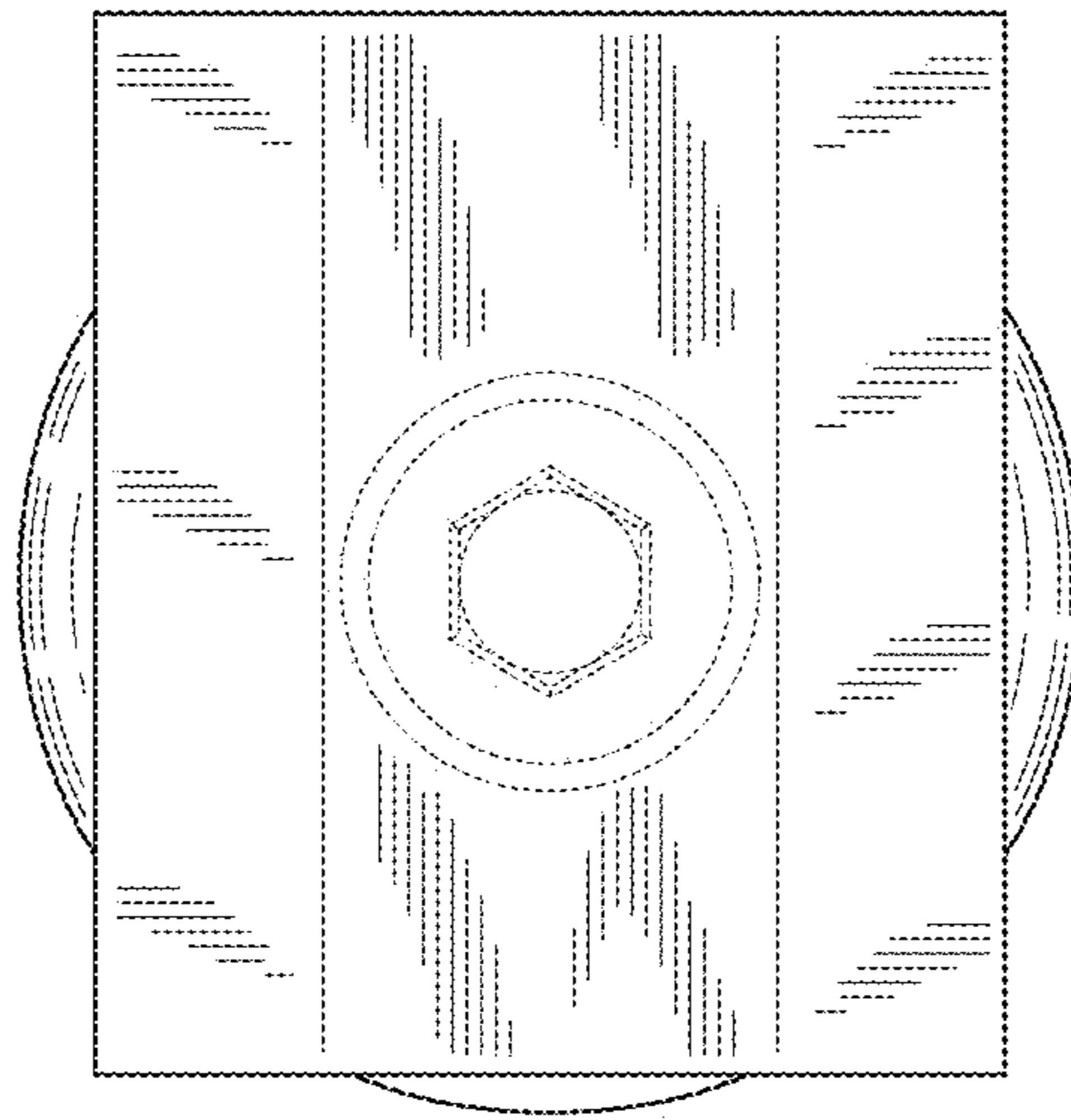


FIG. 5

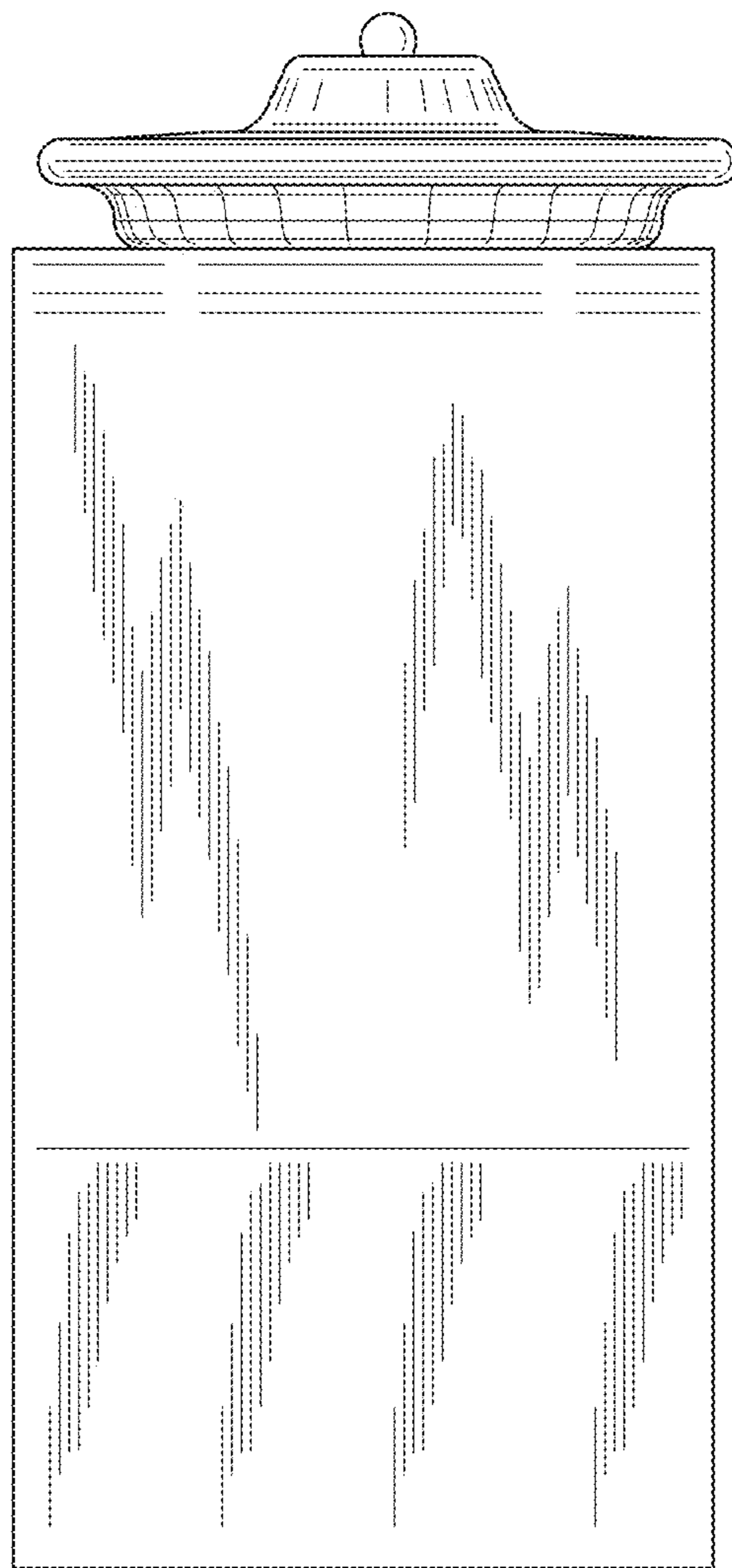


FIG. 6

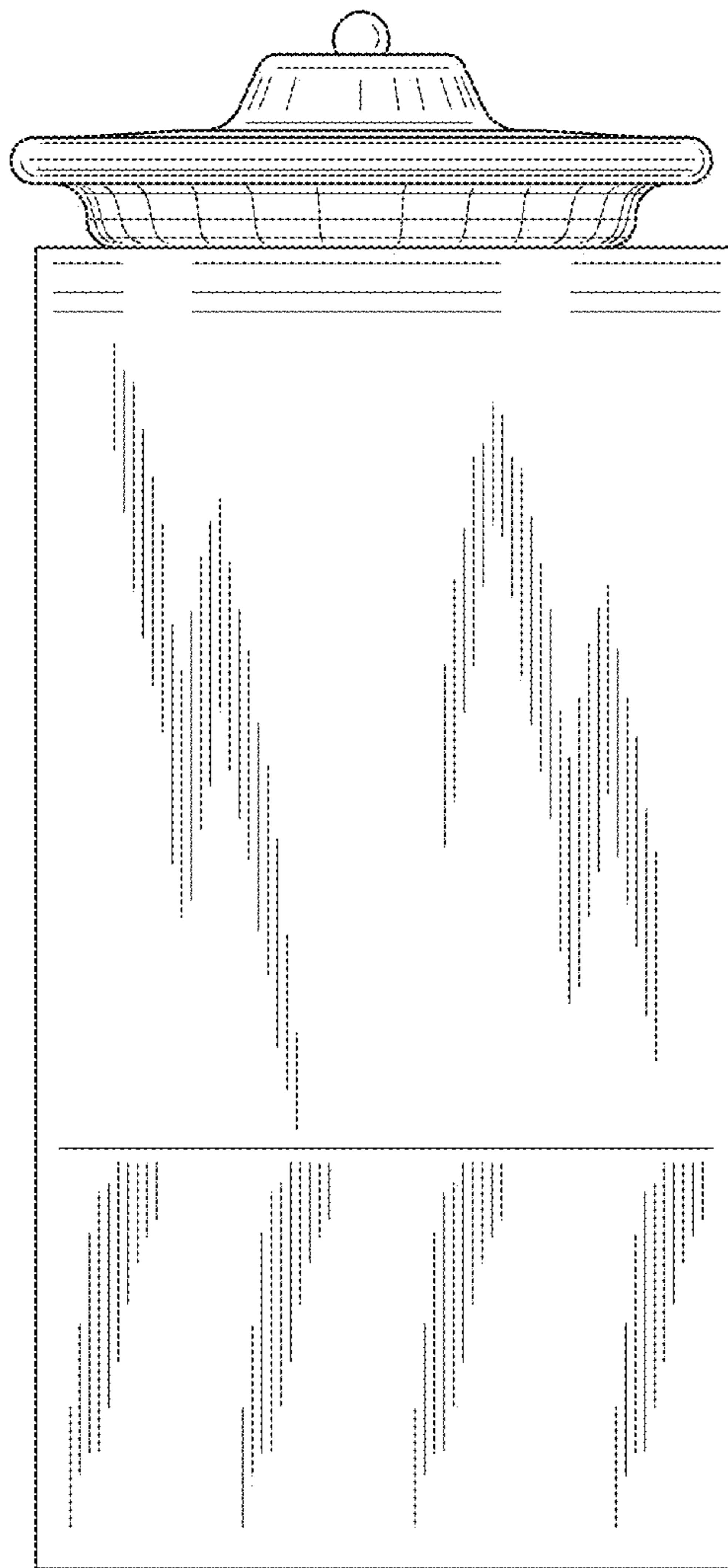


FIG. 7

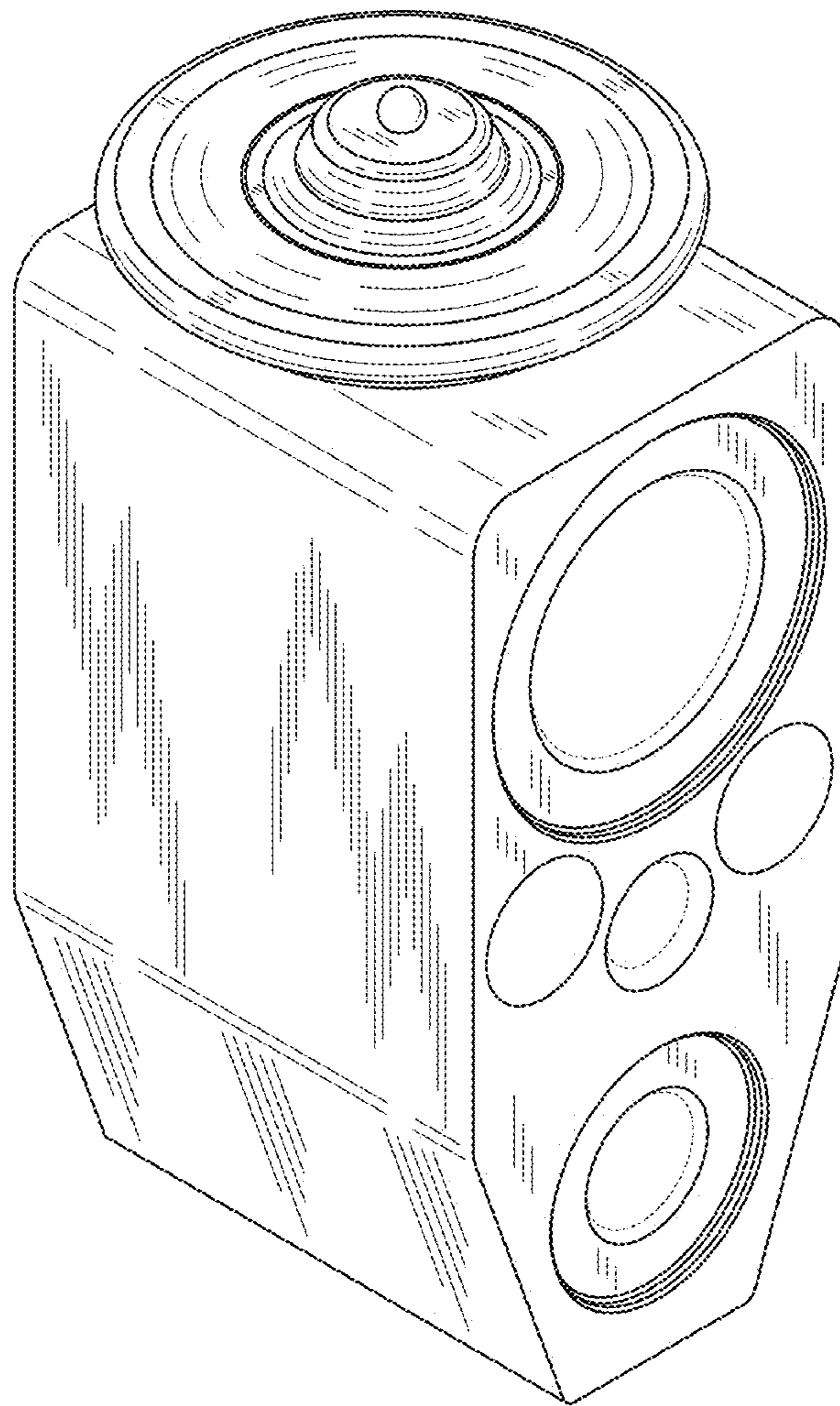


FIG. 8

