



US00D706392S

(12) **United States Design Patent**  
**Oike**

(10) **Patent No.:** **US D706,392 S**  
(45) **Date of Patent:** **\*\* Jun. 3, 2014**

(54) **AUTOMATIC DRAIN VALVE**  
(75) **Inventor:** **Tadashi Oike**, Kakogawa (JP)  
(73) **Assignee:** **TLV Co., Ltd.**, Hyogo (JP)  
(\*\*) **Term:** **14 Years**

(21) **Appl. No.:** **29/418,673**  
(22) **Filed:** **Apr. 19, 2012**

(30) **Foreign Application Priority Data**

Oct. 21, 2011 (JP) ..... 2011-024199

(51) **LOC (10) Cl.** ..... **23-01**

(52) **U.S. Cl.**  
USPC ..... **D23/233**

(58) **Field of Classification Search**  
USPC ..... D23/233-237, 244-249, 310; 417/109,  
417/110, 112, 113, 115-117, 283, 296, 307,  
417/308, 434, 454  
See application file for complete search history.

(56) **References Cited**

**U.S. PATENT DOCUMENTS**

D463,011 S \* 9/2002 Hirose et al. .... D23/245  
D587,341 S \* 2/2009 Stetson ..... D23/233

D595,809 S \* 7/2009 Madsen et al. .... D23/233  
D609,307 S \* 2/2010 Moriyama ..... D23/233  
D616,067 S \* 5/2010 Cavagna ..... D23/233  
D616,529 S \* 5/2010 Gaertner ..... D23/244  
D679,780 S \* 4/2013 Oike et al. .... D23/247  
D693,429 S \* 11/2013 Thibodeaux, Jr. .... D23/233

\* cited by examiner

*Primary Examiner* — Cynthia Ramirez

(74) *Attorney, Agent, or Firm* — The Webb Law Firm

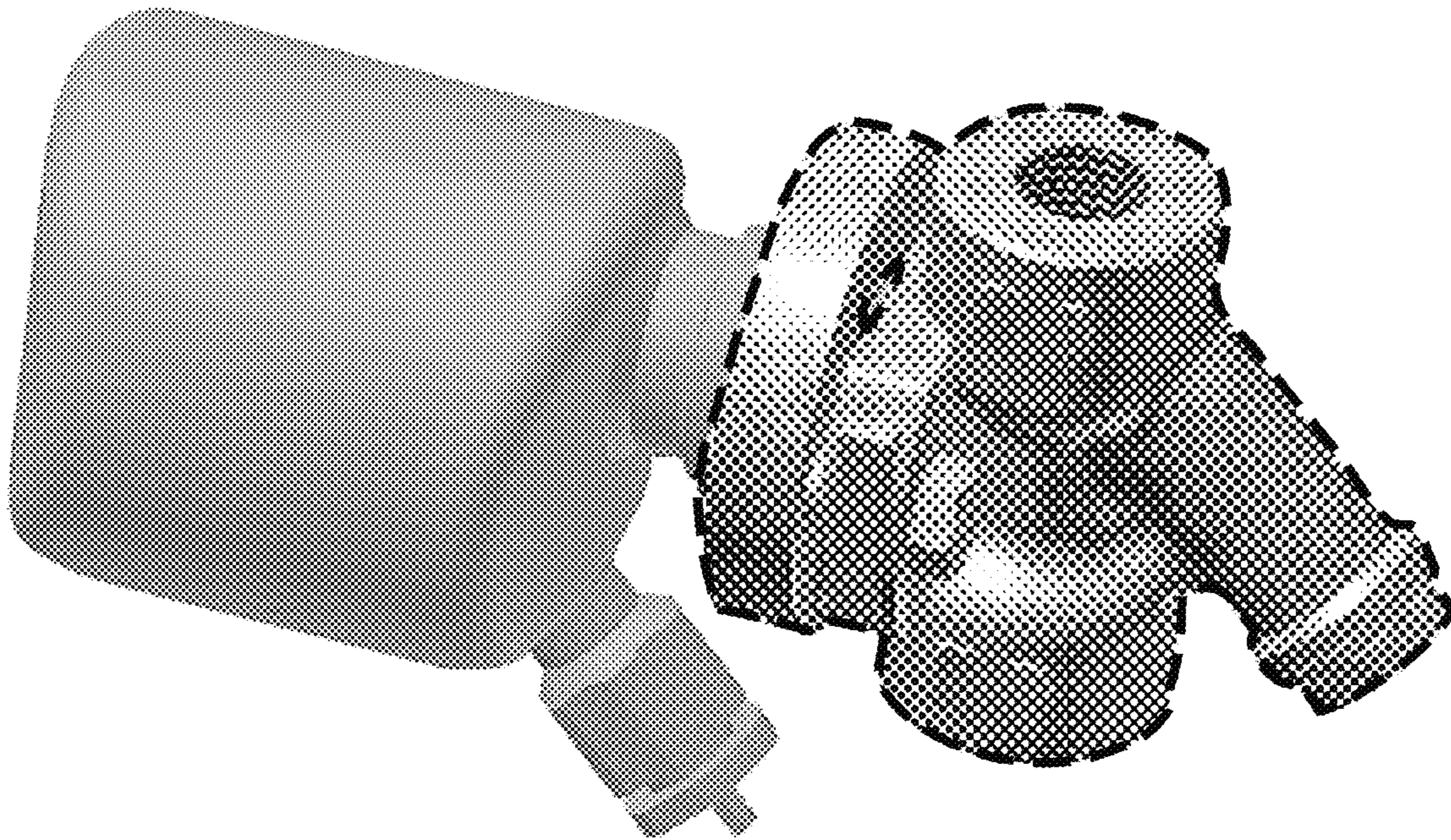
(57) **CLAIM**

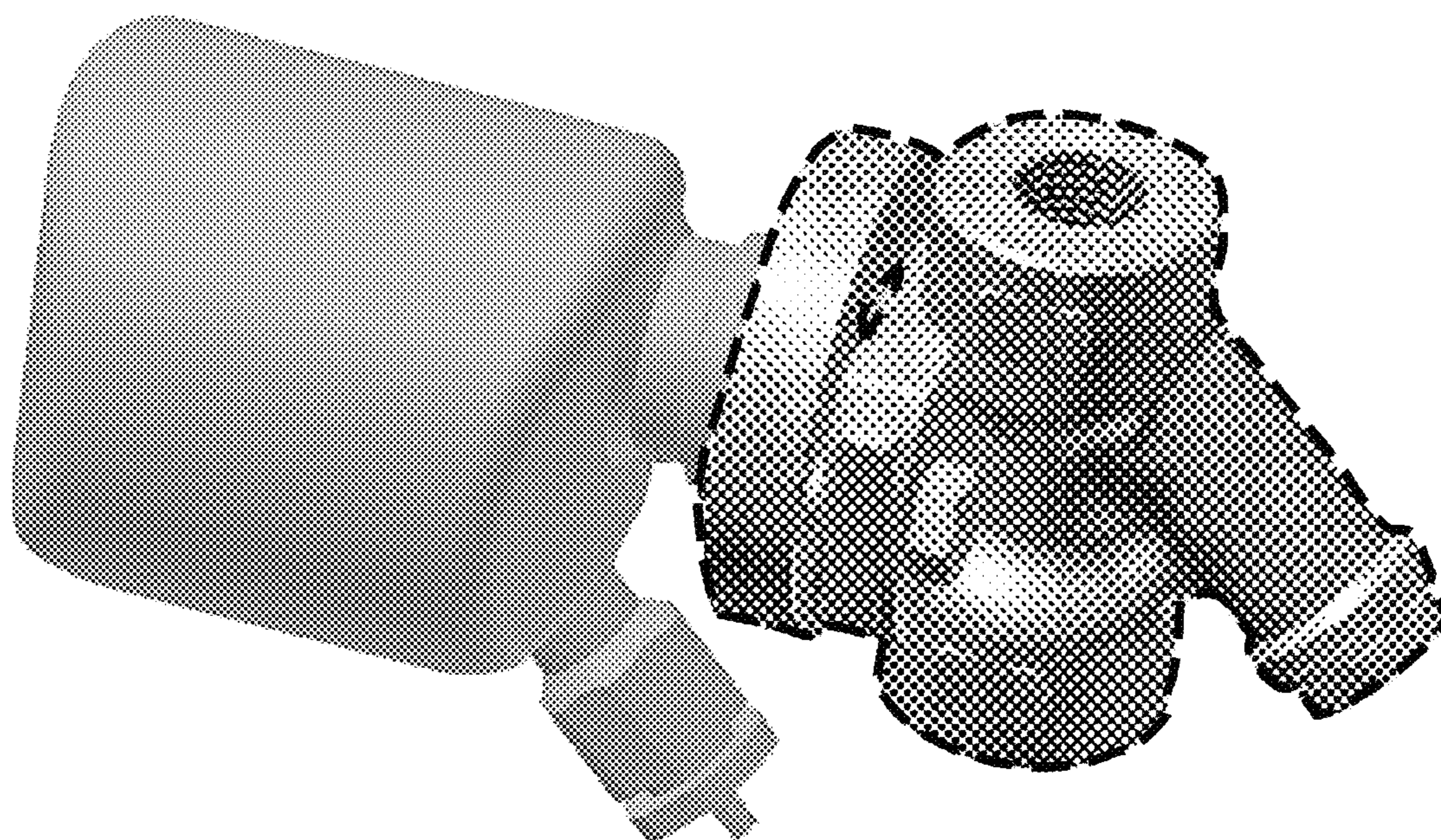
The ornamental design for an automatic drain valve, as shown and described.

**DESCRIPTION**

FIG. 1 is a perspective view of an automatic drain valve in accordance with my new design;  
FIG. 2 is a front view thereof;  
FIG. 3 is a left side view thereof;  
FIG. 4 is a right side view thereof;  
FIG. 5 is a rear view thereof;  
FIG. 6 is a top view thereof; and,  
FIG. 7 is a bottom view thereof.  
The portions of the automatic drain valve shown in coarse dot pattern and outlined in dashed lines form no part of the claimed design.

**1 Claim, 7 Drawing Sheets**





**FIG. 1**

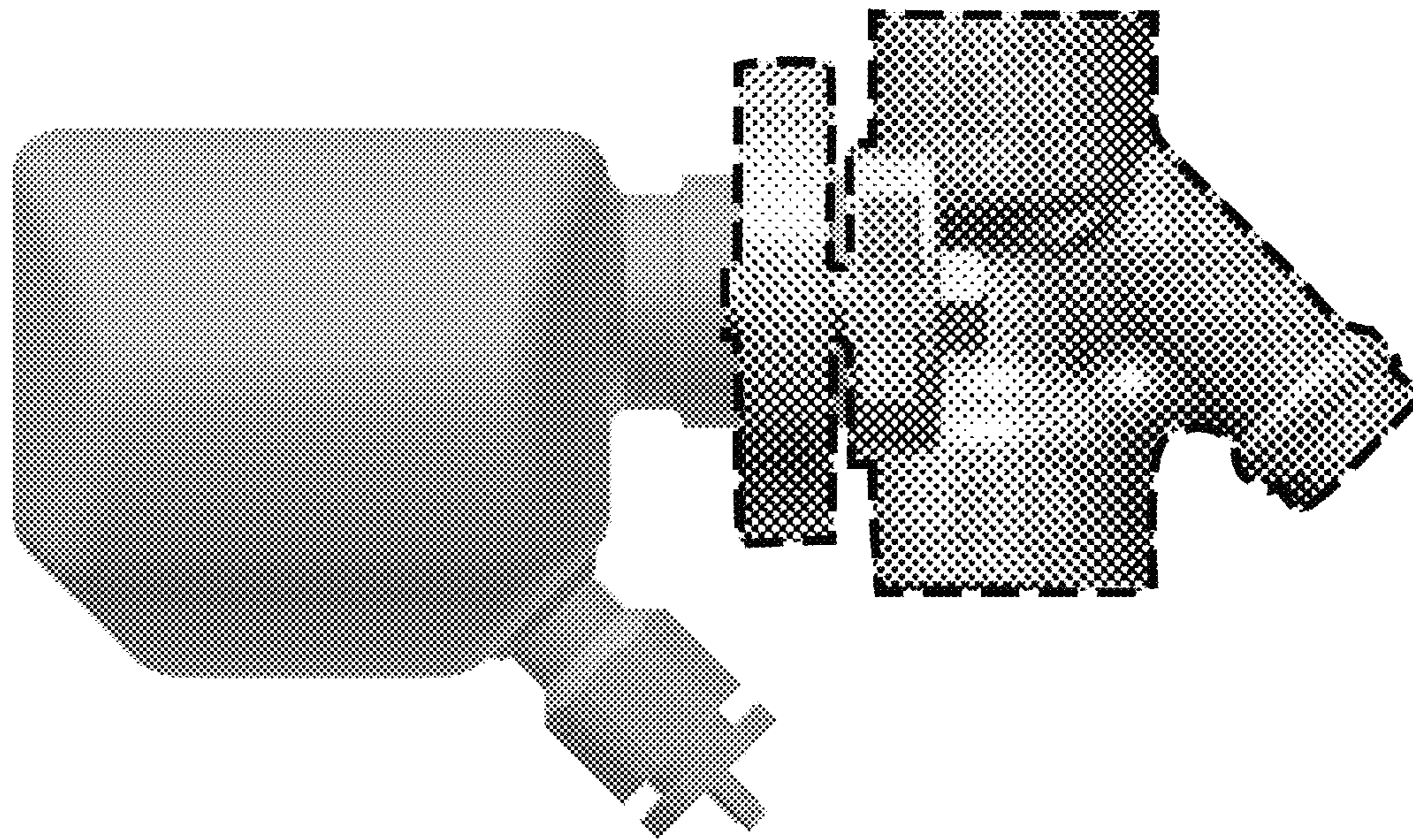
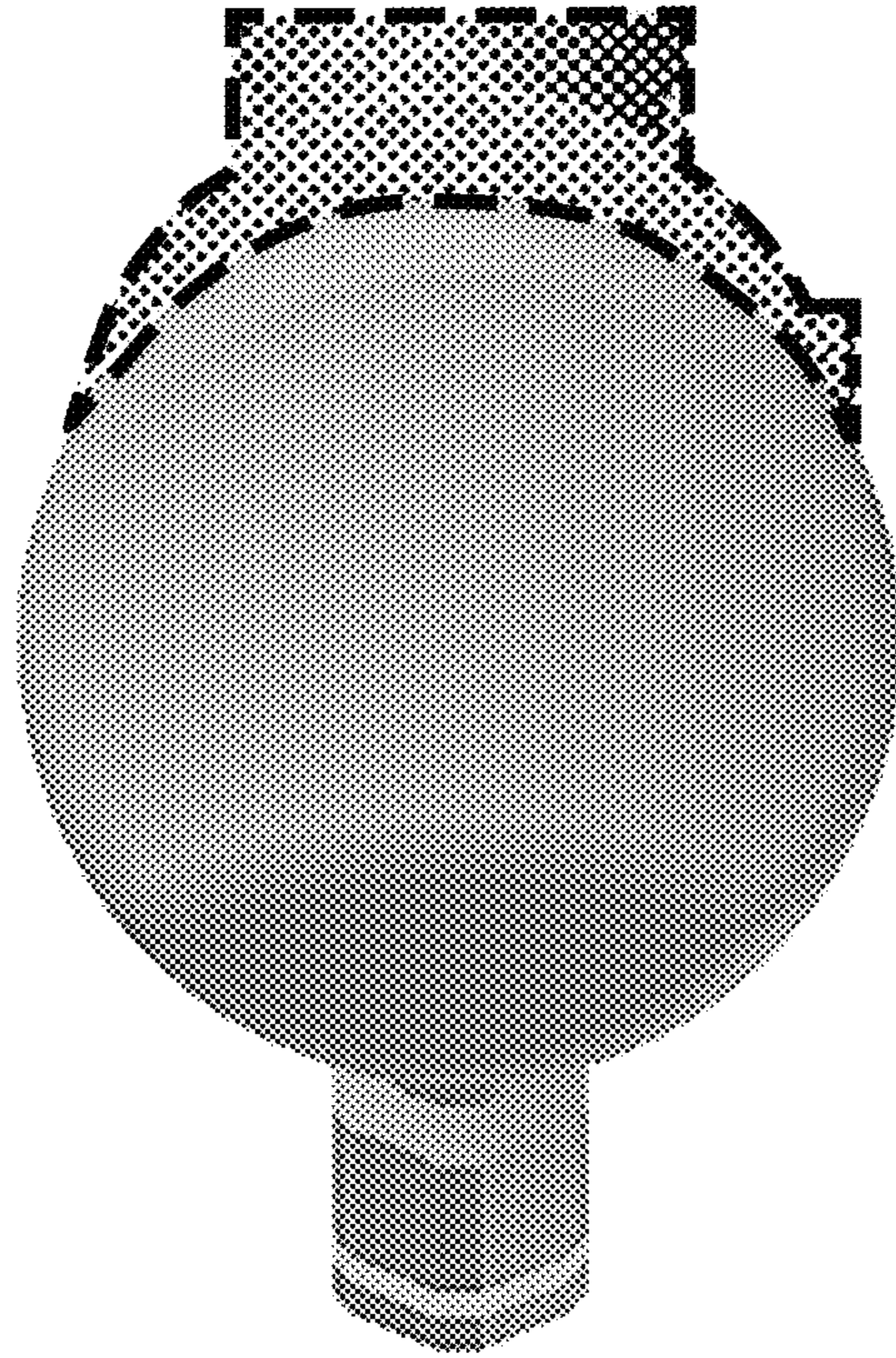
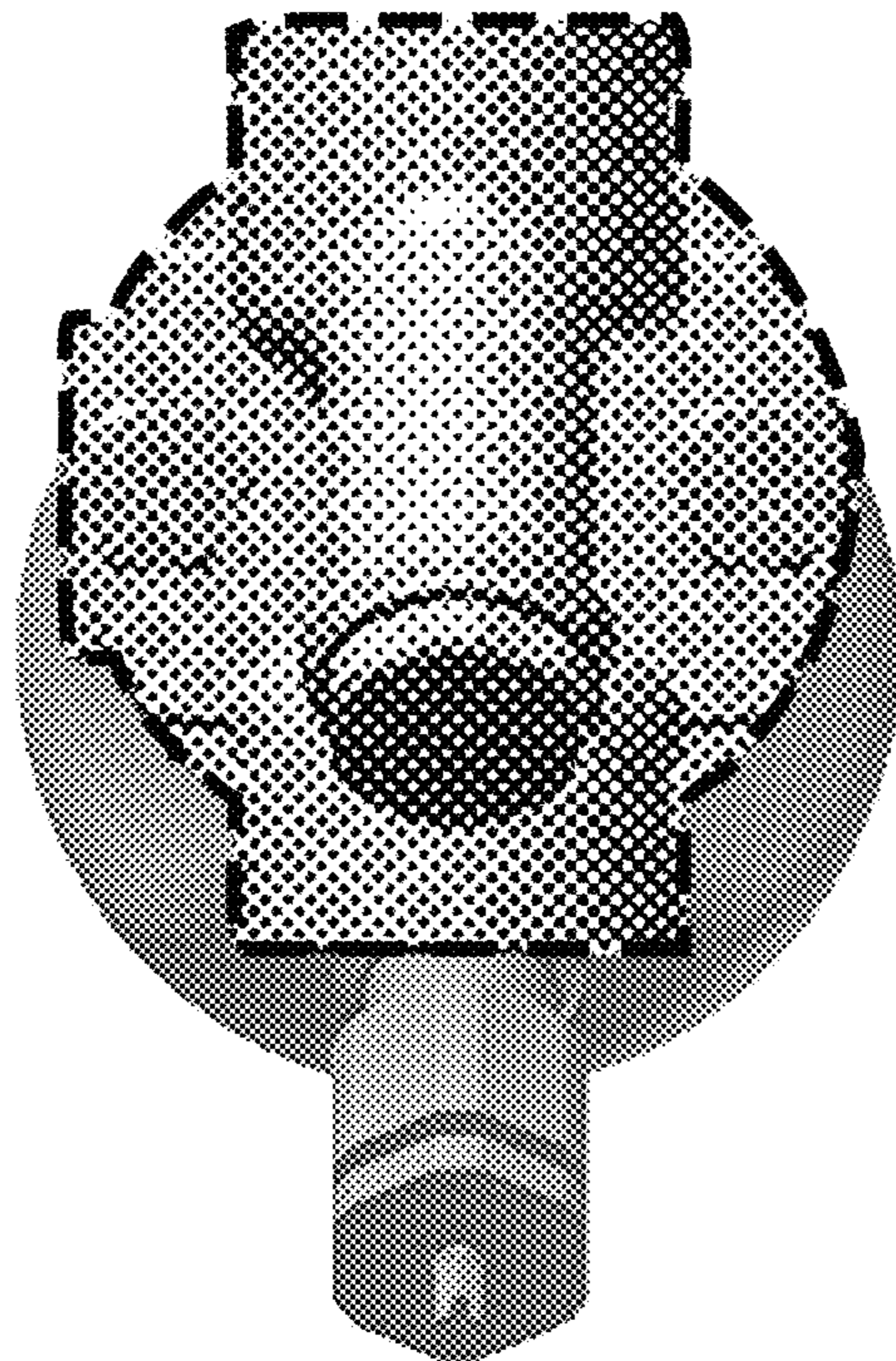


FIG. 2



**FIG. 3**



**FIG. 4**

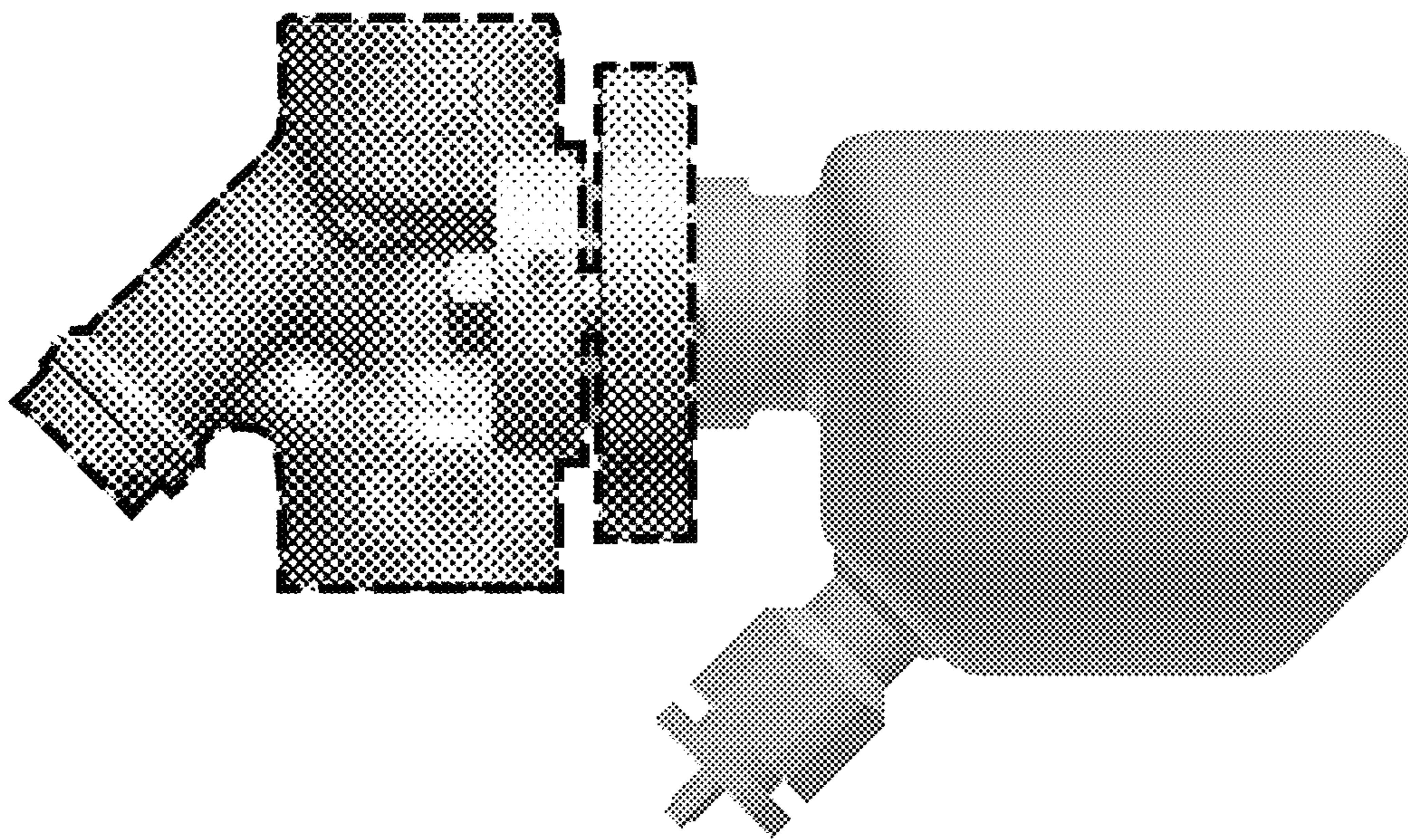
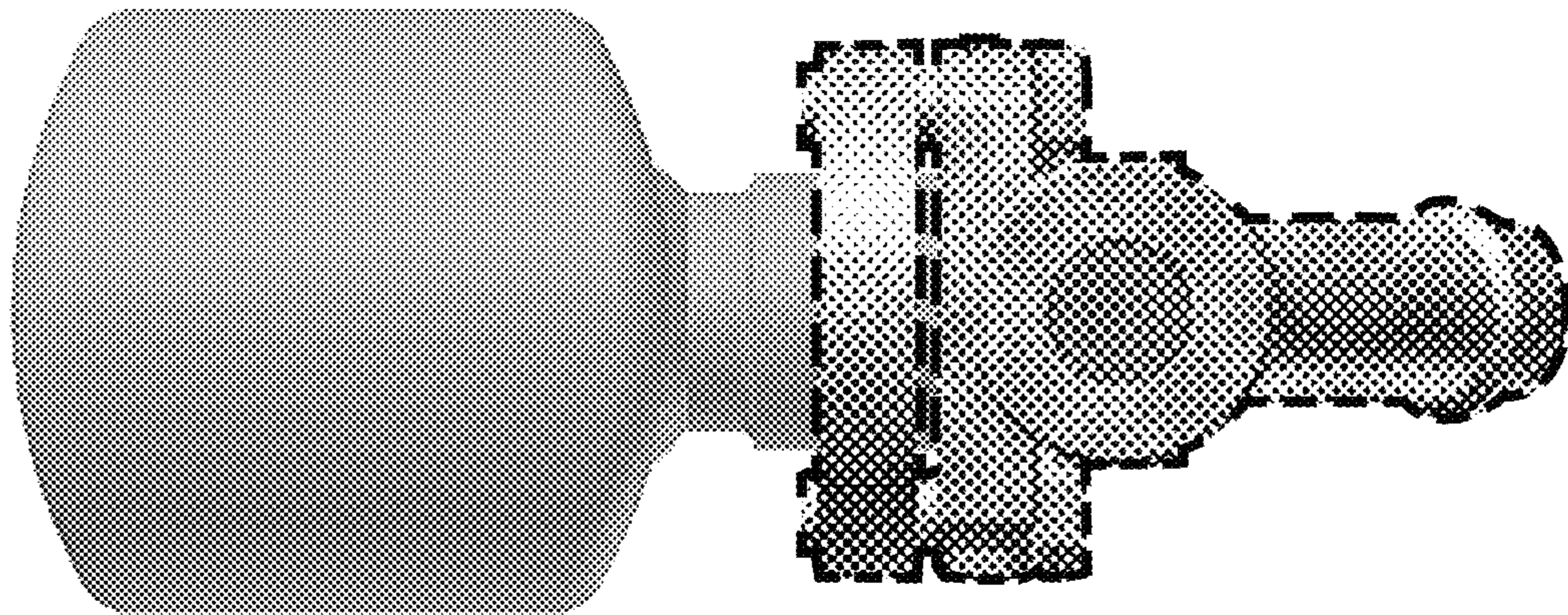
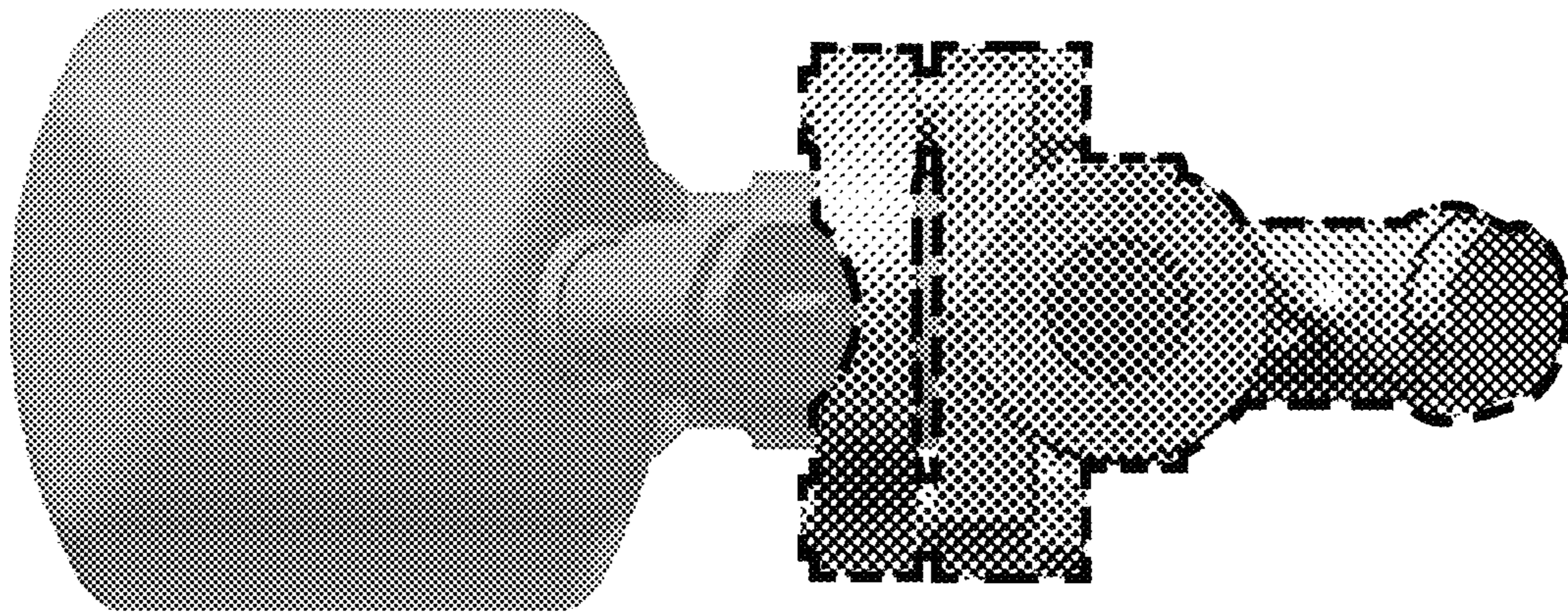


FIG. 5



**FIG. 6**



**FIG. 7**